



# RLQN-A

Parts List  
15-May-2020



*This parts list is current as of the above revision date.  
See <http://www.rheempartslists.net/92-42800-RLQN-A.pdf> for the current revision.*

**Package Air Conditioners - Commercial**

# Table of Contents

|                         |        |
|-------------------------|--------|
| Model Explanation ..... | Page 3 |
|-------------------------|--------|

## Parts Numbers

|                                       |         |
|---------------------------------------|---------|
| Panels .....                          | Page 4  |
| Electrical Group (L - M-Drives) ..... | Page 5  |
| Electrical Group (K - V-Drives) ..... | Page 6  |
| Fan Group .....                       | Page 7  |
| Blower Group - Direct Drive .....     | Page 8  |
| Blower Group - Belt Drive .....       | Page 9  |
| Coil Parts .....                      | Page 10 |
| Compressor Group .....                | Page 11 |
| Heater Kits .....                     | Page 12 |
| Accessories .....                     | Page 12 |

## Drawings/Photographs

|  |         |
|--|---------|
| Exploded View .....                            | Page 13 |
| Control Box .....                              | Page 14 |
| Blower Assembly - Direct Drive .....           | Page 14 |
| Blower Assembly - Belt Drive .....             | Page 15 |
| Blower Motor Mount Assembly - Belt Drive ..... | Page 16 |
| Coil Group Cut-away View .....                 | Page 17 |
| Evaporator Coil - Filter Parts .....           | Page 17 |
| Compressor - Refrigeration Group .....         | Page 18 |
| Condenser Coil Pads .....                      | Page 19 |

|                        |         |
|------------------------|---------|
| Notes/Disclaimer ..... | Page 20 |
|------------------------|---------|

**MODEL NUMBER EXPLANATION**

|          |          |          |          |          |          |          |          |          |          |          |          |          |          |          |          |          |
|----------|----------|----------|----------|----------|----------|----------|----------|----------|----------|----------|----------|----------|----------|----------|----------|----------|
| <b>R</b> | <b>L</b> | <b>Q</b> | <b>N</b> | <b>-</b> | <b>A</b> | <b>0</b> | <b>3</b> | <b>6</b> | <b>J</b> | <b>K</b> | <b>0</b> | <b>0</b> | <b>0</b> | <b>A</b> | <b>C</b> | <b>A</b> |
| 1        | 2        | 3        | 4        |          | 5        | 6        |          |          | 7        | 8        | 9        |          |          | 10       |          | 11       |

- (1) **TRADENAME IDENTIFICATION**
- (2) **L = PACKAGED AIR CONDITIONER - COMMERCIAL**
- (3) **EFFICIENCY DESIGNATION**  
Q = (15 SEER)
- (4) **DESIGN SERIES**  
N = Design Series (R-410A)
- (5) **TECHNICAL VARIATIONS**
- (6) **COOLING CAPACITY (BTU/HR) kW**  
036 = 36,000 10.55  
048 = 48,000 14.07  
060 = 60,000 17.58
- (7) **ELECTRICAL DESIGNATION**  
J = 208-230/1/60  
C = 208-230/3/60  
D = 460/3/60  
Y = 575/3/60
- (8) **DRIVE PACKAGE**  
K = Direct Drive  
L = Belt Drive  
M = Belt Drive - High Static  
V = Variable Drive
- (9) **HEATING CAPACITY - (MBH)**  
000 = No Resistance Heat  
006 = 6 kW Resistance Heat  
010 = 10 kW Resistance Heat  
012 = 12 kW Resistance Heat  
015 = 15 kW Resistance Heat  
020 = 20 kW Resistance Heat  
024 = 24 kW Resistance Heat
- (10) **FACTORY INSTALLED OPTION CODES**
- (11) **ECONOMIZER OPTION**

**SERIAL NUMBER EXPLANATION**

|          |          |          |          |          |          |          |          |          |          |
|----------|----------|----------|----------|----------|----------|----------|----------|----------|----------|
| <b>W</b> | <b>0</b> | <b>8</b> | <b>1</b> | <b>3</b> | <b>9</b> | <b>9</b> | <b>9</b> | <b>9</b> | <b>9</b> |
| 1        | 2        |          | 3        |          | 4        |          |          |          |          |

- 1 **PLANT CODE**
- 2 **WEEK OF PRODUCTION**
- 3 **YEAR OF PRODUCTION**
- 4 **PRODUCTION NUMBER**

**Note: For Compressor Identification Number, see Compressor Code on Rating Plate**

| No.                                | Notes | MODEL<br>TECHNICAL VARIATIONS<br>COOLING CAPACITY  | RLQN-<br>A<br>036            | RLQN-<br>A<br>048            | RLQN-<br>A<br>060            |
|------------------------------------|-------|--|------------------------------|------------------------------|------------------------------|
| <b>PANELS, MISCELLANEOUS PARTS</b> |       |  |                              |                              |                              |
| 1                                  |       | Base Rail - Side (2)   | AE-58900-01                  | AE-58900-01                  | AE-58900-01                  |
| 2                                  |       | Base Rail - Condenser End  | AE-58901-01                  | AE-58901-01                  | AE-58901-01                  |
| 3                                  |       | Base Rail - Evaporator End   | AE-58902-01                  | AE-58902-01                  | AE-58902-01                  |
| 4                                  |       | Outdoor Coil Base Pan  | AS-59051-03H                 | AS-59051-03H                 | AS-59051-03H                 |
| 5                                  |       | Indoor Coil Base Pan   | AS-58910-05                  | AS-58910-05                  | AS-58910-05                  |
| 6                                  |       | Condenser Bulkhead Assembly  | AS-59126-06                  | AS-59126-06                  | AS-59126-06                  |
|                                    |       | Limit Shield Assembly  | AS-59152-01                  | AS-59152-01                  | AS-59152-01                  |
| 7                                  |       | Blower Bulkhead Assembly<br>(Does not include Front Blower Extension, Back Blower Extension, Insulation Retainer or Cover Plate) | AS-103385-01                 | AS-103385-01                 | AS-103385-01                 |
| 8                                  |       | Blower Extension - Front   | AE-58928-01                  | AE-58928-01                  | AE-58928-01                  |
| 9                                  |       | Blower Extension - Back  | AE-58928-02                  | AE-58928-02                  | AE-58928-02                  |
|                                    |       | Cover Plate<br>(On the Blower Extension - Front to cover the Limit Control opening)  | AE-76216-01                  | AE-76216-01                  | AE-76216-01                  |
|                                    |       | Insulation Retainer  | AE-59059-01                  | AE-59059-01                  | AE-59059-01                  |
| 10                                 |       | Wire Chase Assembly  | AS-103291-01                 | AS-103291-01                 | AS-103291-01                 |
| 11                                 |       | Corner Post  | AS-58965-01H<br>(1)          | AS-58965-01H<br>(2)          | AS-58965-01H<br>(2)          |
| 12                                 |       | Front Corner Post ("L" Coil Only)  | AS-104519-01H                | N/A                          | N/A                          |
| 13                                 |       | Louvered Panel   |                              | See Accessories              |                              |
| 14                                 |       | Louvered Panel   |                              | See Accessories              |                              |
| 15                                 |       | Louvered Panel   |                              | See Accessories              |                              |
| 16                                 |       | Return/Supply Cover Assembly   | AS-58992-01H                 | AS-58992-01H                 | AS-58992-01H                 |
| 17                                 |       | Rear Panel (Includes Insulation, Filler Panel, and Stripping)  | AS-58976-01H                 | AS-58976-01H                 | AS-58976-01H                 |
| 18                                 |       | Filler Panel - (Return Air Filler)   | AS-58974-01H                 | AS-58974-01H                 | AS-58974-01H                 |
|                                    |       | Filler Panel Stripping   | AE-58897-10                  | AE-58897-10                  | AE-58897-10                  |
| 19                                 |       | Blower/Filter Access Panels (2)  | AS-58990-01H                 | AS-58990-01H                 | AS-58990-01H                 |
| 20                                 |       | Post - Left End  | AS-58973-01H                 | AS-58973-01H                 | AS-58973-01H                 |
| 21                                 |       | Front Panel Assembly   | AS-59132-01H                 | AS-59132-01H                 | AS-59132-01H                 |
| 22                                 |       | Electric Heat Access Panel Assembly  | AS-59121-02H                 | AS-59121-02H                 | AS-59121-02H                 |
| 23                                 |       | Compressor Access Panel  | AS-58983-02H                 | AS-58983-02H                 | AS-58983-02H                 |
| 24                                 |       | Power Entry Panel  | AS-58968-03H                 | AS-58968-03H                 | AS-58968-03H                 |
| 25                                 |       | Front Post   | AS-58967-01H                 | AS-58967-01H                 | AS-58967-01H                 |
| 26                                 |       | Indoor Coil Top Panel  | AS-58979-01H                 | AS-58979-01H                 | AS-58979-01H                 |
| 27                                 |       | Condenser Top Panel  | AS-58982-01H                 | AS-58982-01H                 | AS-58982-01H                 |
| 29                                 |       | Wire Grille  | <a href="#">95-101660-01</a> | <a href="#">95-101660-01</a> | <a href="#">95-101660-01</a> |
| 31                                 |       | Control Box (w/o components)   | AS-59039-01                  | AS-59039-01                  | AS-59039-01                  |

| No.                              | Notes | MODEL<br>TECHNICAL VARIATION<br>COOLING CAPACITY<br>ELECTRIC DESIGNATION<br>DRIVE PACKAGE | RLQN-<br>A<br>036<br>C<br>L/M | RLQN-<br>A<br>036<br>D<br>L/M | RLQN-<br>A<br>036<br>J<br>L/M | RLQN-<br>A<br>048<br>C<br>L/M | RLQN-<br>A<br>048<br>D<br>L/M |                      |
|----------------------------------|-------|---|-------------------------------|-------------------------------|-------------------------------|-------------------------------|-------------------------------|----------------------|
| <b>ELECTRIC GROUP</b>            |       |   |                               |                               |                               |                               |                               |                      |
| <b>CONTROL BOX COMPONENTS:</b>   |       |   |                               |                               |                               |                               |                               |                      |
| 33                               |       | Capacitor - Fan Motor   |                               |                               |                               |                               |                               | See Fan Group        |
| 35                               |       | Blower Relay  |                               |                               |                               |                               |                               | See Blower Group     |
| 36                               |       | Blower Time Delay Relay (Sequencing Relay)  |                               |                               |                               |                               |                               | See Blower Group     |
| 37                               |       | Blower Contactor  |                               |                               |                               |                               |                               | See Blower Group     |
| 38                               |       | Compressor Time Delay Relay   |                               |                               |                               |                               |                               | See Accessories      |
| 39                               | Stk   | Compressor Contactor  | 42-102664-08                  | 42-102664-08                  | 42-42478-04                   | 42-102664-08                  | 42-102664-08                  |                      |
| 40                               | Stk   | Transformer   | <a href="#">46-101904-02</a>  | 46-23600-02                   | <a href="#">46-101904-02</a>  | <a href="#">46-101904-02</a>  | 46-23600-02                   |                      |
| 41                               |       | Terminal Block (Strip)  | 45-23591-01                   | 45-23591-01                   | 45-23591-01                   | 45-23591-01                   | 45-23591-01                   |                      |
| <b>WIRING HARNESES:</b>          |       |   |                               |                               |                               |                               |                               |                      |
|                                  |       | Bypass Plug - Economizer (12 Pin)   | AS-61997-55                   | AS-61997-55                   | AS-61997-55                   | AS-61997-55                   | AS-61997-55                   |                      |
|                                  |       | Wiring Harness - Economizer (12 Pin)  | 45-42522-109                  | 45-42522-109                  | 45-42522-109                  | 45-42522-109                  | 45-42522-109                  |                      |
|                                  |       | Wiring Harness - with 5 pin to Heater Kit   | 45-102819-01                  | 45-102819-01                  | 45-102819-02                  | 45-102819-01                  | 45-102819-01                  |                      |
| <b>MISCELLANEOUS COMPONENTS:</b> |       |   |                               |                               |                               |                               |                               |                      |
|                                  |       | Low Ambient Control   |                               |                               |                               |                               |                               | See Accessories      |
| 91                               |       | Low Pressure Control  |                               |                               |                               |                               |                               | See Compressor Group |
| 92                               |       | High Pressure Control   |                               |                               |                               |                               |                               | See Compressor Group |

| No.                              | Notes | MODEL<br>TECHNICAL VARIATION<br>COOLING CAPACITY<br>ELECTRIC DESIGNATION<br>DRIVE PACKAGE | RLQN-<br>A<br>048<br>J<br>L/M | RLQN-<br>A<br>060<br>C<br>L/M | RLQN-<br>A<br>060<br>D<br>L/M | RLQN-<br>A<br>060<br>J<br>L/M |                      |
|----------------------------------|-------|---|-------------------------------|-------------------------------|-------------------------------|-------------------------------|----------------------|
| <b>ELECTRIC GROUP</b>            |       |   |                               |                               |                               |                               |                      |
| <b>CONTROL BOX COMPONENTS:</b>   |       |   |                               |                               |                               |                               |                      |
| 33                               |       | Capacitor - Fan Motor   |                               |                               |                               |                               | See Fan Group        |
| 35                               |       | Blower Relay  |                               |                               |                               |                               | See Blower Group     |
| 36                               |       | Blower Time Delay Relay (Sequencing Relay)  |                               |                               |                               |                               | See Blower Group     |
| 37                               |       | Blower Contactor  |                               |                               |                               |                               | See Blower Group     |
| 38                               |       | Compressor Time Delay Relay   |                               |                               |                               |                               | See Accessories      |
| 39                               | Stk   | Compressor Contactor  | <a href="#">42-102664-10</a>  | 42-102664-08                  | 42-102664-08                  | <a href="#">42-102664-10</a>  |                      |
| 40                               | Stk   | Transformer   | <a href="#">46-101904-02</a>  | <a href="#">46-101904-02</a>  | 46-23600-02                   | <a href="#">46-101904-02</a>  |                      |
| 41                               |       | Terminal Block (Strip)  | 45-23591-01                   | 45-23591-01                   | 45-23591-01                   | 45-23591-01                   |                      |
| <b>WIRING HARNESES:</b>          |       |   |                               |                               |                               |                               |                      |
|                                  |       | Bypass Plug - Economizer (12 Pin)   | AS-61997-55                   | AS-61997-55                   | AS-61997-55                   | AS-61997-55                   |                      |
|                                  |       | Wiring Harness - Economizer (12 Pin)  | 45-42522-109                  | 45-42522-109                  | 45-42522-109                  | 45-42522-109                  |                      |
|                                  |       | Wiring Harness - with 5 pin to Heater Kit   | 45-102819-02                  | 45-102819-01                  | 45-102819-01                  | 45-102819-02                  |                      |
| <b>MISCELLANEOUS COMPONENTS:</b> |       |   |                               |                               |                               |                               |                      |
|                                  |       | Low Ambient Control   |                               |                               |                               |                               | See Accessories      |
| 91                               |       | Low Pressure Control  |                               |                               |                               |                               | See Compressor Group |
| 92                               |       | High Pressure Control   |                               |                               |                               |                               | See Compressor Group |

| No.                              | Notes | MODEL                                      | RLQN-                | RLQN-        | RLQN-        | RLQN-        | RLQN-        | RLQN-        |
|----------------------------------|-------|--|----------------------|--------------|--------------|--------------|--------------|--------------|
|                                  |       | TECHNICAL VARIATION                        | A                    | A            | A            | A            | A            | A            |
|                                  |       | COOLING CAPACITY                           | 036                  | 036          | 036          | 048          | 048          | 048          |
|                                  |       | ELECTRIC DESIGNATION                       | C                    | D            | J            | C            | D            | J            |
|                                  |       | DRIVE PACKAGE                              | K                    | K            | K            | K            | K            | K            |
| <b>ELECTRIC GROUP</b>            |       |  |                      |              |              |              |              |              |
| <b>CONTROL BOX COMPONENTS:</b>   |       |  |                      |              |              |              |              |              |
| 33                               |       | Capacitor - Fan Motor                      | See Fan Group        |              |              |              |              |              |
| 35                               |       | Blower Relay                               | See Blower Group     |              |              |              |              |              |
| 36                               |       | Blower Time Delay Relay (Sequencing Relay) | See Blower Group     |              |              |              |              |              |
| 37                               |       | Blower Contactor                           | See Blower Group     |              |              |              |              |              |
| 38                               |       | Compressor Time Delay Relay                | See Accessories      |              |              |              |              |              |
| 39                               | Stk   | Compressor Contactor                       | 42-102664-08         | 42-102664-08 | 42-42478-04  | 42-102664-08 | 42-102664-08 | 42-102664-10 |
| 40                               | Stk   | Transformer                                | 46-101904-02         | 46-23600-02  | 46-101904-02 | 46-101904-02 | 46-23600-02  | 46-101904-02 |
| 41                               |       | Terminal Block (Strip)                     | 45-23591-01          | 45-23591-01  | 45-23591-01  | 45-23591-01  | 45-23591-01  | 45-23591-01  |
| <b>WIRING HARNESES:</b>          |       |  |                      |              |              |              |              |              |
|                                  |       | Bypass Plug - Economizer (12 Pin)          | AS-61997-55          | AS-61997-55  | AS-61997-55  | AS-61997-55  | AS-61997-55  | AS-61997-55  |
|                                  |       | Winging Harness - Economizer (12 Pin)      | 45-42522-109         | 45-42522-109 | 45-42522-109 | 45-42522-109 | 45-42522-109 | 45-42522-109 |
|                                  |       | Wiring Harness - with 5 pin to Heater Kit  | 45-102819-01         | 45-102819-01 | 45-102819-02 | 45-102819-01 | 45-102819-01 | 45-102819-02 |
| <b>MISCELLANEOUS COMPONENTS:</b> |       |  |                      |              |              |              |              |              |
|                                  |       | Low Ambient Control                        | See Accessories      |              |              |              |              |              |
| 91                               |       | Low Pressure Control                       | See Compressor Group |              |              |              |              |              |
| 92                               |       | High Pressure Control                      | See Compressor Group |              |              |              |              |              |

| No.                              | Notes | MODEL  | RLQN-                | RLQN-        | RLQN-        | RLQN-        | RLQN-        | RLQN- |
|----------------------------------|-------|--|----------------------|--------------|--------------|--------------|--------------|-------|
|                                  |       | TECHNICAL VARIATION  | A                    | A            | A            | A            | A            | A     |
|                                  |       | COOLING CAPACITY   | 060                  | 060          | 060          | 060          | 060          | 060   |
|                                  |       | ELECTRIC DESIGNATION   | C                    | D            | J            | C            | D            | D     |
|                                  |       | DRIVE PACKAGE  | K                    | K            | K            | V            | V            | V     |
| <b>ELECTRIC GROUP</b>            |       |  |                      |              |              |              |              |       |
| <b>CONTROL BOX COMPONENTS:</b>   |       |  |                      |              |              |              |              |       |
| 33                               |       | Capacitor - Fan Motor  | See Fan Group        |              |              |              |              |       |
| 35                               |       | Blower Relay   | See Blower Group     |              |              |              |              |       |
| 36                               |       | Blower Time Delay Relay (Sequencing Relay)                           | See Blower Group     |              |              |              |              |       |
| 37                               |       | Blower Contactor   | See Blower Group     |              |              |              |              |       |
| 38                               |       | Compressor Time Delay Relay  | See Accessories      |              |              |              |              |       |
| 39                               | Stk   | Compressor Contactor   | 42-102664-08         | 42-102664-08 | 42-102664-10 | 42-102664-08 | 42-102664-08 |       |
| 40                               | Stk   | Transformer  | 46-101904-02         | 46-23600-02  | 46-101904-02 | 46-101904-02 | 46-23600-02  |       |
| 41                               |       | Terminal Block (Strip)   | 45-23591-01          | 45-23591-01  | 45-23591-01  | 45-23591-01  | 45-23591-01  |       |
| <b>WIRING HARNESES:</b>          |       |  |                      |              |              |              |              |       |
|                                  |       | Wiring Harness (Blower Motor) - 16 pin to 16 pin insulated terminals | N/A                  | N/A          | N/A          | 45-24258-10  | 45-24258-10  |       |
|                                  |       | Wiring Harness (Blower Motor) - 5 pin to three terminals             | N/A                  | N/A          | N/A          | 45-24258-30  | 45-24258-30  |       |
|                                  |       | Bypass Plug - Economizer (12 Pin)                                    | AS-61997-55          | AS-61997-55  | AS-61997-55  | AS-61997-55  | AS-61997-55  |       |
|                                  |       | Winging Harness - Economizer (12 Pin)                                | 45-42522-109         | 45-42522-109 | 45-42522-109 | 45-42522-109 | 45-42522-109 |       |
|                                  |       | Wiring Harness - with 5 pin to Heater Kit                            | 45-102819-01         | 45-102819-01 | 45-102819-02 | 45-102819-01 | 45-102819-01 |       |
|                                  |       | Transformer Whip   | N/A                  | N/A          | N/A          | N/A          | 45-104790-02 |       |
| <b>MISCELLANEOUS COMPONENTS:</b> |       |  |                      |              |              |              |              |       |
|                                  | Stk   | ECM Interface Control Board  | N/A                  | N/A          | N/A          | 62-24340-03  | 62-24340-03  |       |
|                                  | Stk   | Stepdown Transformer   | N/A                  | N/A          | N/A          | N/A          | 46-104792-01 |       |
|                                  |       | Low Ambient Control  | See Accessories      |              |              |              |              |       |
| 91                               |       | Low Pressure Control   | See Compressor Group |              |              |              |              |       |
| 92                               |       | High Pressure Control  | See Compressor Group |              |              |              |              |       |

| No.              | Notes | MODEL<br>TECHNICAL VARIATION<br>COOLING CAPACITY<br>ELECTRICAL DESIGNATION | RLQN-<br>A<br>036<br>C | RLQN-<br>A<br>036<br>D | RLQN-<br>A<br>036<br>J | RLQN-<br>A<br>048<br>C | RLQN-<br>A<br>048<br>D |
|------------------|-------|--|------------------------|------------------------|------------------------|------------------------|------------------------|
| <b>FAN GROUP</b> |       |  |                        |                        |                        |                        |                        |
| 32               | Stk   | Fan Motor  | 51-100998-05           | 51-100998-07           | 51-100998-05           | 51-100998-05           | 51-100998-07           |
| 33               | Stk   | Capacitor - Fan Motor  | 43-100496-04           | 43-100496-04           | See Compressor Group   | 43-100496-04           | 43-100496-04           |
| 34               | Stk   | Fan Blade  | 70-23594-01            | 70-23594-01            | 70-23594-01            | 70-23594-01            | 70-23594-01            |
|                  |       | Capacitor Adaptor Plate  | AE-54609-02            | AE-54609-02            | N/A                    | AE-54609-02            | AE-54609-02            |

| No.              | Notes | MODEL<br>TECHNICAL VARIATION<br>COOLING CAPACITY<br>ELECTRICAL DESIGNATION | RLQN-<br>A<br>048<br>J | RLQN-<br>A<br>060<br>C      | RLQN-<br>A<br>060<br>D      | RLQN-<br>A<br>060<br>J      |  |
|------------------|-------|--|------------------------|-----------------------------|-----------------------------|-----------------------------|--|
| <b>FAN GROUP</b> |       |  |                        |                             |                             |                             |  |
| 32               | Stk   | Fan Motor  | 51-100998-05           | 51-100998-13                | 51-100998-12                | 51-100998-13                |  |
| 33               | Stk   | Capacitor - Fan Motor  | See Compressor Group   | 43-100496-12                | 43-100496-12                | See Compressor Group        |  |
| 34               | Stk   | Fan Blade  | 70-23594-01            | <a href="#">70-42484-01</a> | <a href="#">70-42484-01</a> | <a href="#">70-42484-01</a> |  |
|                  |       | Capacitor Adaptor Plate  | N/A                    | AE-54609-02                 | AE-54609-02                 | N/A                         |  |

| No.                                | Notes | MODEL<br>TECHNICAL VARIATION<br>COOLING CAPACITY<br>ELECTRIC DESIGNATION<br>DRIVE PACKAGE | RLQN-<br>A<br>036<br>C<br>K  | RLQN-<br>A<br>036<br>D<br>K  | RLQN-<br>A<br>036<br>J<br>K  | RLQN-<br>A<br>048<br>C<br>K |
|------------------------------------|-------|---|------------------------------|------------------------------|------------------------------|-----------------------------|
| <b>BLOWER GROUP - DIRECT DRIVE</b> |       |   |                              |                              |                              |                             |
| 35                                 | Stk   | Blower Relay  | <a href="#">42-21571-08</a>  | 42-101208-04                 | <a href="#">42-21571-08</a>  | <a href="#">42-21571-08</a> |
| 36                                 | Stk   | Blower Time Delay Relay (Sequencing Relay)  | <a href="#">42-21593-03</a>  | <a href="#">42-21593-03</a>  | <a href="#">42-21593-03</a>  | <a href="#">42-21593-03</a> |
| 37                                 | Stk   | Blower Contactor  | N/A                          | N/A                          | N/A                          | N/A                         |
| 53                                 | Stk   | Blower Assembly (Items 54-61)   | AS-59050-15                  | AS-59050-28                  | AS-59050-15                  | AS-59050-17                 |
| 54                                 |       | Housing   | <a href="#">AS-58944-01</a>  | <a href="#">AS-58944-01</a>  | <a href="#">AS-58944-01</a>  | <a href="#">AS-58944-01</a> |
| 55                                 | Stk   | Blower Wheel  | <a href="#">70-23110-30</a>  | <a href="#">70-23110-30</a>  | <a href="#">70-23110-30</a>  | <a href="#">70-23110-30</a> |
| 56                                 |       | Cut-Off Tabulation  | <a href="#">AE-64401-05</a>  | <a href="#">AE-64401-05</a>  | <a href="#">AE-64401-05</a>  | <a href="#">AE-64401-05</a> |
| 57                                 | Stk   | Blower Motor  | <a href="#">51-101880-11</a> | <a href="#">51-103623-02</a> | <a href="#">51-101880-11</a> | 51-101920-16                |
| 58                                 |       | Capacitor - Blower Motor  | N/A                          | N/A                          | N/A                          | N/A                         |
| 59                                 |       | Motor Band  | 70-19927-03                  | 70-19927-03                  | 70-19927-03                  | 70-19927-03                 |
| 60                                 |       | Motor Mounting Arm (3)  | 70-19929-09                  | 70-19929-09                  | 70-19929-09                  | 70-19929-09                 |
| 61                                 |       | Blower Support - Back Side  | AE-58950-02                  | AE-58950-02                  | AE-58950-02                  | AE-58950-02                 |
|                                    |       | Blower Support Bracket - Drive Side   | AE-59174-01                  | AE-59174-01                  | AE-59174-01                  | AE-59174-01                 |

| No.                                | Notes | MODEL<br>TECHNICAL VARIATION<br>COOLING CAPACITY<br>ELECTRIC DESIGNATION<br>DRIVE PACKAGE | RLQN-<br>A<br>048<br>D<br>K | RLQN-<br>A<br>048<br>J<br>K | RLQN-<br>A<br>060<br>C<br>K | RLQN-<br>A<br>060<br>D<br>K |
|------------------------------------|-------|---|-----------------------------|-----------------------------|-----------------------------|-----------------------------|
| <b>BLOWER GROUP - DIRECT DRIVE</b> |       |   |                             |                             |                             |                             |
| 35                                 | Stk   | Blower Relay  | 42-101208-04                | <a href="#">42-21571-08</a> | <a href="#">42-21571-08</a> | <a href="#">42-21571-08</a> |
| 36                                 | Stk   | Blower Time Delay Relay (Sequencing Relay)  | <a href="#">42-21593-03</a> | <a href="#">42-21593-03</a> | N/A                         | N/A                         |
| 37                                 | Stk   | Blower Contactor  | N/A                         | N/A                         | N/A                         | N/A                         |
| 53                                 | Stk   | Blower Assembly (Items 54-61)   | AS-59050-30                 | AS-59050-17                 | AS-59050-34                 | AS-59050-33                 |
| 54                                 |       | Housing   | <a href="#">AS-58944-01</a> | <a href="#">AS-58944-01</a> | <a href="#">AS-58944-01</a> | <a href="#">AS-58944-01</a> |
| 55                                 | Stk   | Blower Wheel  | <a href="#">70-23110-30</a> | <a href="#">70-23110-30</a> | <a href="#">70-23110-30</a> | <a href="#">70-23110-30</a> |
| 56                                 |       | Cut-Off Tabulation  | <a href="#">AE-64401-05</a> | <a href="#">AE-64401-05</a> | <a href="#">AE-64401-05</a> | <a href="#">AE-64401-05</a> |
| 57                                 | Stk   | Blower Motor  | 51-103253-05                | 51-101920-16                | 51-101984-15                | 51-103624-07                |
| 58                                 |       | Capacitor - Blower Motor  | N/A                         | N/A                         | N/A                         | N/A                         |
| 59                                 |       | Motor Band  | 70-19927-03                 | 70-19927-03                 | 70-19927-03                 | 70-19927-03                 |
| 60                                 |       | Motor Mounting Arm (3)  | 70-19929-09                 | 70-19929-09                 | 70-19929-09                 | 70-19929-09                 |
| 61                                 |       | Blower Support - Back Side  | AE-58950-02                 | AE-58950-02                 | AE-58950-02                 | AE-58950-02                 |
|                                    |       | Blower Support Bracket - Drive Side   | AE-59174-01                 | AE-59174-01                 | AE-59174-01                 | AE-59174-01                 |

| No.                                | Notes | MODEL<br>TECHNICAL VARIATION<br>COOLING CAPACITY<br>ELECTRIC DESIGNATION<br>DRIVE PACKAGE | RLQN-<br>A<br>060<br>J<br>K | RLQN-<br>A<br>060<br>C<br>V  | RLQN-<br>A<br>060<br>D<br>V  |  |
|------------------------------------|-------|---|-----------------------------|------------------------------|------------------------------|--|
| <b>BLOWER GROUP - DIRECT DRIVE</b> |       |   |                             |                              |                              |  |
| 35                                 | Stk   | Blower Relay  | <a href="#">42-21571-08</a> | <a href="#">42-21571-08</a>  | <a href="#">42-21571-08</a>  |  |
| 36                                 |       | Blower Time Delay Relay (Sequencing Relay)  | N/A                         | N/A                          | N/A                          |  |
| 37                                 |       | Blower Contactor  | N/A                         | N/A                          | N/A                          |  |
| 53                                 | Stk   | Blower Assembly (Items 54-61)   | AS-59050-34                 | AS-59050-36                  | AS-59050-36                  |  |
| 54                                 |       | Housing   | <a href="#">AS-58944-01</a> | AS-101342-01                 | AS-101342-01                 |  |
| 55                                 | Stk   | Blower Wheel  | <a href="#">70-23110-30</a> | 70-23592-02                  | 70-23592-02                  |  |
| 56                                 |       | Cut-Off Tabulation  | <a href="#">AE-64401-05</a> | AE-64401-18                  | AE-64401-18                  |  |
| 57                                 | Stk   | Blower Motor  | 51-101984-15                | <a href="#">51-104306-32</a> | <a href="#">51-104306-32</a> |  |
| 58                                 |       | Capacitor - Blower Motor  | N/A                         | N/A                          | N/A                          |  |
| 59                                 |       | Motor Band  | 70-19927-03                 | 70-19927-03                  | 70-19927-03                  |  |
| 60                                 |       | Motor Mounting Arm (3)  | 70-19929-09                 | 70-19929-09                  | 70-19929-09                  |  |
| 61                                 |       | Blower Support - Back Side  | AE-58950-02                 | AE-58950-02                  | AE-58950-02                  |  |
|                                    |       | Blower Support Bracket - Drive Side   | AE-59174-01                 | AE-59174-01                  | AE-59174-01                  |  |

| No.                              | Notes | MODEL<br>TECHNICAL VARIATION<br>COOLING CAPACITY<br>ELECTRICAL DESIGNATION<br>DRIVE PACKAGE | RLQN-                       | RLQN-                       | RLQN-                       | RLQN-                       |
|----------------------------------|-------|---|-----------------------------|-----------------------------|-----------------------------|-----------------------------|
|                                  |       |   | A<br>036<br>C<br>L          | A<br>036<br>C<br>M          | A<br>036<br>D<br>L          | A<br>036<br>D<br>M          |
| <b>BLOWER GROUP - BELT DRIVE</b> |       |   |                             |                             |                             |                             |
| 35                               | Stk   | Blower Relay  | 42-101208-01                | 42-101208-01                | 42-101208-04                | 42-101208-04                |
| 36                               | Stk   | Blower Time Delay Relay (Sequencing Relay)  | <a href="#">42-21593-03</a> | <a href="#">42-21593-03</a> | <a href="#">42-21593-03</a> | <a href="#">42-21593-03</a> |
| 37                               | Stk   | Blower Contactor  | 42-102664-08                | 42-102664-08                | 42-102664-08                | 42-102664-08                |
| 74                               | Stk   | Blower Motor  | <a href="#">51-42579-01</a> | <a href="#">51-21909-01</a> | <a href="#">51-42579-01</a> | <a href="#">51-21909-01</a> |
| 75                               | Stk   | Variable Pitch Sheave   | 71-40427-30                 | 71-40427-25                 | 71-40427-30                 | 71-40427-25                 |
| 76                               | Stk   | Belt  | 71-40235-43                 | 71-40235-43                 | 71-40235-43                 | 71-40235-43                 |
| 62                               | Stk   | Blower Assembly<br>(Items 63-73, excluding Items 67 and 72b)                                | AS-101336-01                | AS-101336-05                | AS-101336-01                | AS-101336-05                |
| 63                               |       | Housing   | AS-101341-01                | AS-101341-01                | AS-101341-01                | AS-101341-01                |
| 64                               | Stk   | Bearing Frame Tri-Arm (2)   | 70-41723-03                 | 70-41723-03                 | 70-41723-03                 | 70-41723-03                 |
| 65                               | Stk   | Ball Bearing and Cushion (2)  | <a href="#">70-41911-01</a> | <a href="#">70-41911-01</a> | <a href="#">70-41911-01</a> | <a href="#">70-41911-01</a> |
| 66                               | Stk   | Blower Shaft  | <a href="#">70-21933-02</a> | <a href="#">70-21933-02</a> | <a href="#">70-21933-02</a> | <a href="#">70-21933-02</a> |
| 67                               | Stk   | Fixed Pitch Sheave  | 71-100772-04                | 71-21932-03                 | 71-100772-04                | 71-21932-03                 |
| 68                               |       | Blower Support - Left   | AE-58950-02                 | AE-58950-02                 | AE-58950-02                 | AE-58950-02                 |
| 69                               | Stk   | Wheel   | <a href="#">70-23589-01</a> | <a href="#">70-23589-01</a> | <a href="#">70-23589-01</a> | <a href="#">70-23589-01</a> |
| 70                               |       | Cut-Off Tabulation  | <a href="#">AE-64401-05</a> | <a href="#">AE-64401-05</a> | <a href="#">AE-64401-05</a> | <a href="#">AE-64401-05</a> |

| No.                              | Notes | MODEL<br>TECHNICAL VARIATION<br>COOLING CAPACITY<br>ELECTRICAL DESIGNATION<br>DRIVE PACKAGE | RLQN-                       | RLQN-                       | RLQN-                       | RLQN-                       |
|----------------------------------|-------|---|-----------------------------|-----------------------------|-----------------------------|-----------------------------|
|                                  |       |   | A<br>048<br>C<br>L          | A<br>048<br>C<br>M          | A<br>048<br>D<br>L          | A<br>048<br>D<br>M          |
| <b>BLOWER GROUP - BELT DRIVE</b> |       |   |                             |                             |                             |                             |
| 35                               | Stk   | Blower Relay  | 42-101208-01                | 42-101208-01                | 42-101208-04                | 42-101208-04                |
| 36                               | Stk   | Blower Time Delay Relay (Sequencing Relay)  | <a href="#">42-21593-03</a> | <a href="#">42-21593-03</a> | <a href="#">42-21593-03</a> | <a href="#">42-21593-03</a> |
| 37                               | Stk   | Blower Contactor  | 42-102664-08                | 42-102664-08                | 42-102664-08                | 42-102664-08                |
| 74                               | Stk   | Blower Motor  | <a href="#">51-42579-01</a> | <a href="#">51-21909-01</a> | <a href="#">51-42579-01</a> | <a href="#">51-21909-01</a> |
| 75                               | Stk   | Variable Pitch Sheave   | 71-40427-29                 | 71-40427-25                 | 71-40427-29                 | 71-40427-25                 |
| 76                               | Stk   | Belt  | 71-40235-43                 | 71-40235-43                 | 71-40235-43                 | 71-40235-43                 |
| 62                               | Stk   | Blower Assembly<br>(Items 63-73, excluding Items 67 and 72b)                                | AS-101336-01                | AS-101336-05                | AS-101336-05                | AS-101336-05                |
| 63                               |       | Housing   | AS-101341-01                | AS-101341-01                | AS-101341-01                | AS-101341-01                |
| 64                               | Stk   | Bearing Frame Tri-Arm (2)   | 70-41723-03                 | 70-41723-03                 | 70-41723-03                 | 70-41723-03                 |
| 65                               | Stk   | Ball Bearing and Cushion (2)  | <a href="#">70-41911-01</a> | <a href="#">70-41911-01</a> | <a href="#">70-41911-01</a> | <a href="#">70-41911-01</a> |
| 66                               | Stk   | Blower Shaft  | <a href="#">70-21933-02</a> | <a href="#">70-21933-02</a> | <a href="#">70-21933-02</a> | <a href="#">70-21933-02</a> |
| 67                               | Stk   | Fixed Pitch Sheave  | 71-100772-04                | 71-21932-03                 | 71-21932-03                 | 71-21932-03                 |
| 68                               |       | Blower Support - Left   | AE-58950-02                 | AE-58950-02                 | AE-58950-02                 | AE-58950-02                 |
| 69                               | Stk   | Wheel   | <a href="#">70-23589-01</a> | <a href="#">70-23589-01</a> | <a href="#">70-23589-01</a> | <a href="#">70-23589-01</a> |
| 70                               |       | Cut-Off Tabulation  | <a href="#">AE-64401-05</a> | <a href="#">AE-64401-05</a> | <a href="#">AE-64401-05</a> | <a href="#">AE-64401-05</a> |

| No.                   | Notes | MODEL<br>TECHNICAL VARIATION<br>DRIVE PACKAGE | RLQN-        |  |  |  |
|-----------------------|-------|---|--------------|--|--|--|
|                       |       |   | A<br>L/M     |  |  |  |
| <b>MOTOR MOUNTING</b> |       |   |              |  |  |  |
| 71                    |       | Blower Bracket                                | AE-101124-01 |  |  |  |
| 72                    |       | Blower Bracket - Drive Side                   | AE-101124-04 |  |  |  |
| 72a                   |       | Grommet (Flat)                                | 56-18518-04  |  |  |  |
| 72b                   |       | Cross Brace                                   | AE-101467-01 |  |  |  |
| 73                    |       | Motor Mount Assembly                          | AS-101340-01 |  |  |  |

| No.                     | Notes | MODEL<br>TECHNICAL VARIATION<br>COOLING CAPACITY        | RLQN-<br>A<br>036           | RLQN-<br>A<br>048            | RLQN-<br>A<br>060            |
|-------------------------|-------|---|-----------------------------|------------------------------|------------------------------|
| <b>COIL GROUP</b>       |       |   |                             |                              |                              |
| <b>EVAPORATOR COIL:</b> |       |   |                             |                              |                              |
| 80                      | Stk   | Evaporator Coil (Coil and Frame Assembly)               | AS-104531-02                | AS-104531-01                 | AS-104531-01                 |
|                         | Stk   | TXV   | 61-102211-34                | <a href="#">61-102211-33</a> | <a href="#">61-102211-32</a> |
| 81                      |       | Top Air Stop  | AE-58933-01                 | AE-58933-01                  | AE-58933-01                  |
| 82                      |       | Top Coil Support  | AE-58941-01                 | AE-58941-01                  | AE-58941-01                  |
| 83                      |       | Indoor Coil Drain Pan                                   | <a href="#">68-23559-01</a> | <a href="#">68-23559-01</a>  | <a href="#">68-23559-01</a>  |
| 85                      |       | Filter Channels (3) Center Is Two Channels Back To Back | AE-58934-01                 | AE-58934-01                  | AE-58934-01                  |
|                         |       | Filter Keeper   | AE-59168-01                 | AE-59168-01                  | AE-59168-01                  |
| 86                      |       | Filter - Disposable 16x25x1 (2)                         | 54-17531-10                 | 54-17531-10                  | 54-17531-10                  |
| <b>CONDENSER COIL:</b>  |       |   |                             |                              |                              |
| 84a                     | Stk   | Condenser Coil  | AS-104518-02                | AS-104518-01                 | AS-104518-01                 |
| 84b                     |       | Pad - Bottom Coil                                       | 68-104248-03<br>(4)         | 68-104248-03<br>(5)          | 68-104248-03<br>(5)          |
| 84c                     |       | Pad - Top Coil  | 68-20243-01                 | 68-20243-01                  | 68-20243-01                  |
| 84d                     |       | Coil Filler Plate (2)                                   | AS-104545-03H               | AS-104545-03H                | AS-104545-03H                |
| 84e                     |       | Stripping   | 68-42246-06                 | 68-42246-06                  | 68-42246-06                  |
|                         | Stk   | Filter Drier  | 83-22755-03                 | 83-22755-03                  | 83-22755-03                  |

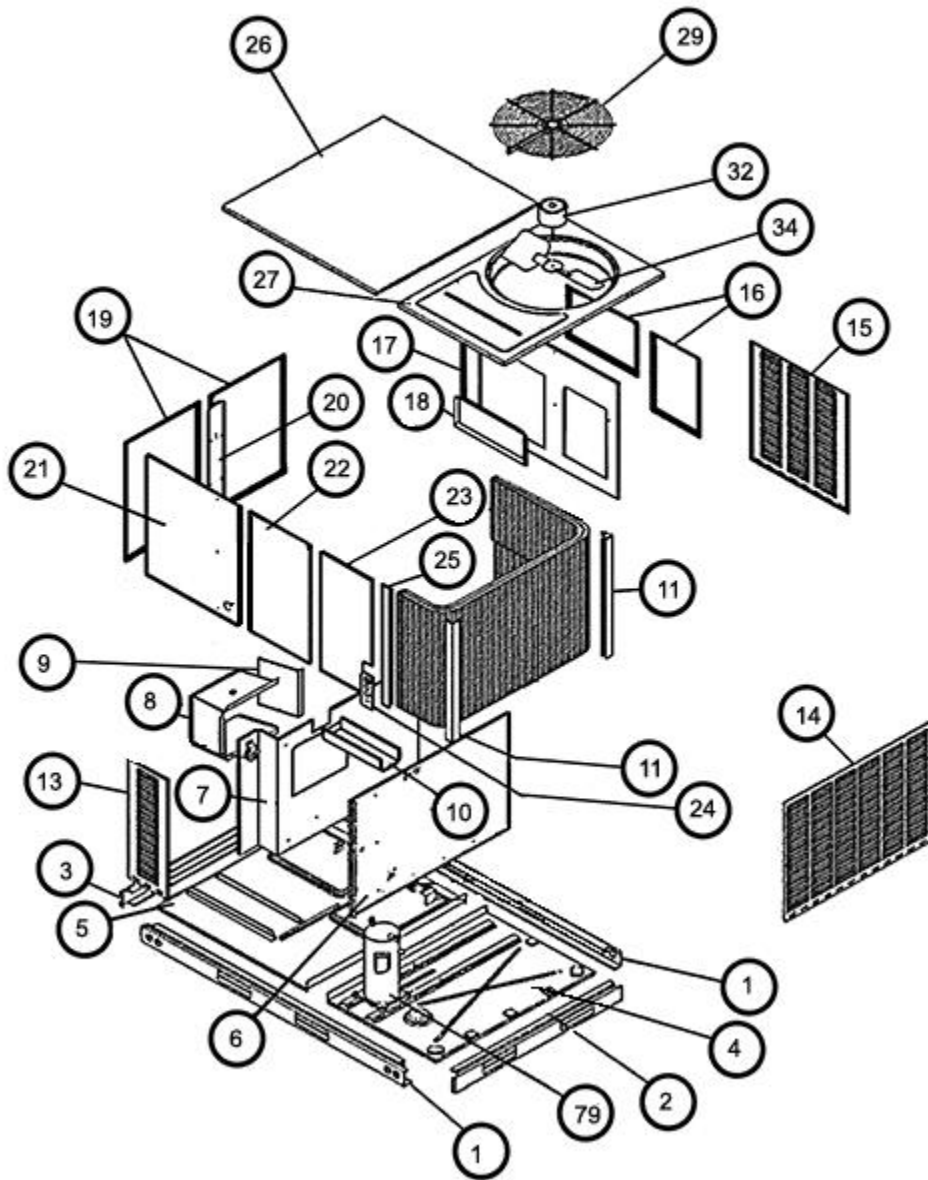
| No.                     | Notes | MODEL<br>TECHNICAL VARIATION<br>COOLING CAPACITY<br>ELECTRICAL DESIGNATION | RLQN-<br>A<br>036<br>C | RLQN-<br>A<br>036<br>D | RLQN-<br>A<br>036<br>J |
|-------------------------|-------|--|------------------------|------------------------|------------------------|
| <b>COMPRESSOR GROUP</b> |       |  |                        |                        |                        |
|                         |       | <b>Compressor ID:</b>  | <b>8776</b>            | <b>8777</b>            | <b>8775</b>            |
| 79                      | Stk   | Compressor   | 55-102045-90S          | 55-102045-91S          | 55-102045-66S          |
| 39                      |       | Compressor Contactor   | See Electric Group     |                        |                        |
| 33                      | Stk   | Capacitor - Fan/Compressor   | See Fan Group          |                        | 43-101665-41           |
| 91                      | Stk   | Low Pressure Control   | 47-102240-03           | 47-102240-03           | 47-102240-03           |
| 92                      | Stk   | High Pressure Control  | 47-23699-04            | 47-23699-04            | 47-23699-04            |
|                         | Stk   | Compressor Wiring Harness (Molded Plug)                                    | 45-100834-80           | 45-100834-80           | 45-100834-80           |

| No.                     | Notes | MODEL<br>TECHNICAL VARIATION<br>COOLING CAPACITY<br>ELECTRICAL DESIGNATION | RLQN-<br>A<br>048<br>C | RLQN-<br>A<br>048<br>D | RLQN-<br>A<br>048<br>J |
|-------------------------|-------|--|------------------------|------------------------|------------------------|
| <b>COMPRESSOR GROUP</b> |       |  |                        |                        |                        |
|                         |       | <b>Compressor ID:</b>  | <b>8779</b>            | <b>8780</b>            | <b>8778</b>            |
| 79                      | Stk   | Compressor   | 55-102045-08S          | 55-102045-07S          | 55-102045-06S          |
| 39                      |       | Compressor Contactor   | See Electric Group     |                        |                        |
| 33                      | Stk   | Capacitor - Fan/Compressor   | See Fan Group          |                        | 43-101665-41           |
| 91                      | Stk   | Low Pressure Control   | 47-102240-03           | 47-102240-03           | 47-102240-03           |
| 92                      | Stk   | High Pressure Control  | 47-23699-04            | 47-23699-04            | 47-23699-04            |
|                         | Stk   | Compressor Wiring Harness (Molded Plug)                                    | 45-100834-80           | 45-100834-80           | 45-100834-80           |

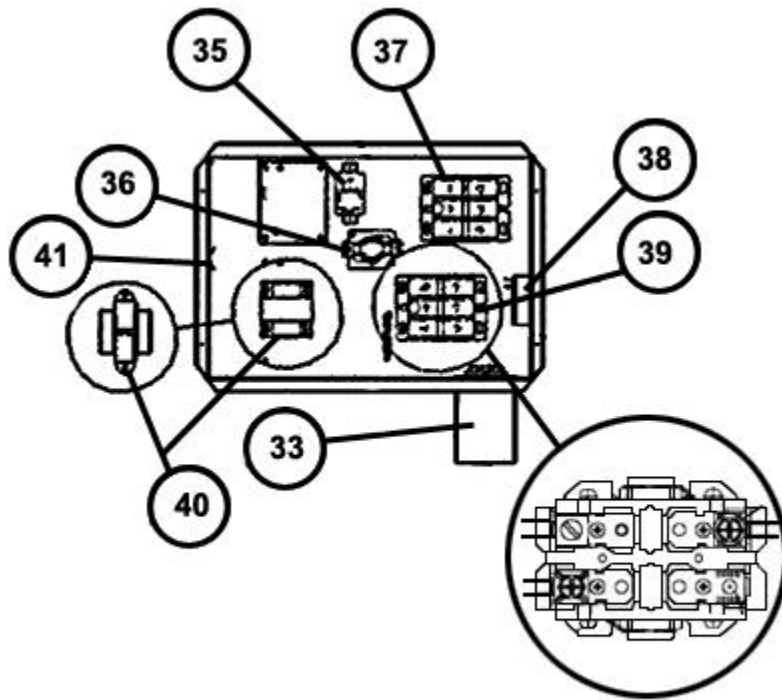
| No.                     | Notes | MODEL<br>TECHNICAL VARIATION<br>COOLING CAPACITY<br>ELECTRICAL DESIGNATION | RLQN-<br>A<br>060<br>C | RLQN-<br>A<br>060<br>D | RLQN-<br>A<br>060<br>J |
|-------------------------|-------|--|------------------------|------------------------|------------------------|
| <b>COMPRESSOR GROUP</b> |       |  |                        |                        |                        |
|                         |       | <b>Compressor ID:</b>  | <b>8782</b>            | <b>8783</b>            | <b>8781</b>            |
| 79                      | Stk   | Compressor   | 55-23156-43S           | 55-23156-44S           | 55-23156-34S           |
| 39                      |       | Compressor Contactor   | See Electric Group     |                        |                        |
| 33                      | Stk   | Capacitor - Fan/Compressor   | See Fan Group          |                        | 43-101665-36           |
| 91                      | Stk   | Low Pressure Control   | 47-102240-03           | 47-102240-03           | 47-102240-03           |
| 92                      | Stk   | High Pressure Control  | 47-23699-04            | 47-23699-04            | 47-23699-04            |
|                         |       | Compressor Wiring Harness (Low Voltage - Molded Plug)                      | 45-101723-02           | 45-101723-02           | 45-101723-02           |
|                         | Stk   | Compressor Wiring Harness (Line Voltage - Molded Plug)                     | 45-100834-80           | 45-100834-80           | 45-100834-80           |

| No.                | Notes | MODEL<br>TECHNICAL VARIATION<br>COOLING CAPACITY<br>ELECTRICAL DESIGNATION<br>DRIVE PACKAGE | RLQN-<br>A<br>036-060<br>C<br>K/L/M | RLQN-<br>A<br>036-060<br>D<br>K/L/M | RLQN-<br>A<br>036-060<br>J<br>K |
|--------------------|-------|---|-------------------------------------|-------------------------------------|---------------------------------|
| <b>HEATER KITS</b> |       |   |                                     |                                     |                                 |
|                    |       | Heater Kit  | RXJJ-A06C                           | RXJJ-A06D                           | RXJJ-A06J                       |
|                    |       | Heater Kit  | RXJJ-A10C                           | RXJJ-A10D                           | RXJJ-A10J                       |
|                    |       | Heater Kit (Canada Only)  | RXJJ-A11C                           | RXJJ-A11D                           | RXJJ-A11J                       |
|                    |       | Heater Kit  | RXJJ-A12C                           | RXJJ-A12D                           | RXJJ-A12J                       |
|                    |       | Heater Kit  | RXJJ-A15C                           | RXJJ-A15D                           | RXJJ-A15J                       |
|                    |       | Heater Kit  | RXJJ-A20C                           | RXJJ-A20D                           | RXJJ-A20J                       |
|                    |       | Heater Kit (Canada Only)  | RXJJ-A21C                           | RXJJ-A21D                           | RXJJ-A21J                       |
|                    |       | Heater Kit  | RXJJ-A24C                           | RXJJ-A24D                           | N/A                             |

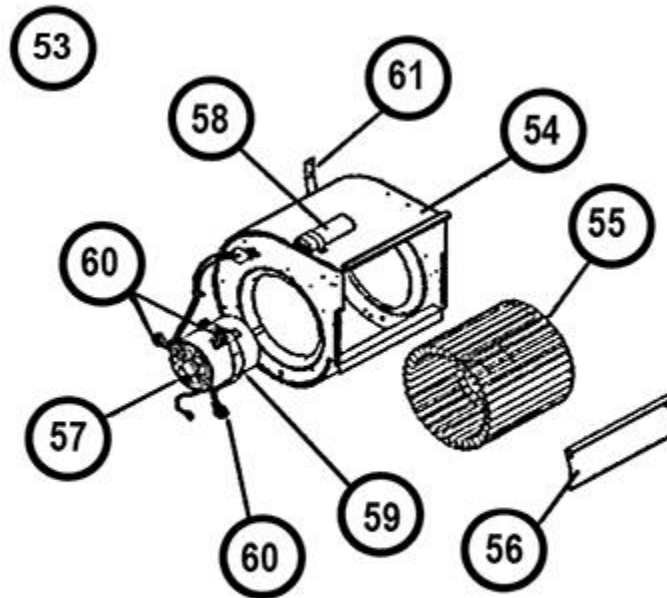
| No.                | Notes | MODEL<br>TECHNICAL VARIATION<br>COOLING CAPACITY | RLQN-<br>A<br>ALL |  |  |
|--------------------|-------|--|-------------------|--|--|
| <b>ACCESSORIES</b> |       |  |                   |  |  |
|                    |       | Economizer - Single Enthalpy                     | AXRD-01RECAM3     |  |  |
|                    |       | Economizer - w/Smoke Detector                    | AXRD-01RECBM3     |  |  |
|                    |       | Dual Enthalpy Upgrade Kit                        | RXRX-AV02         |  |  |
|                    |       | CO2 Sensor                                       | RXRX-AR02         |  |  |
|                    |       | Power Exhaust - C Voltage                        | AXRX-BGF04C       |  |  |
|                    |       | Power Exhaust - D Voltage                        | AXRX-BGF04D       |  |  |
|                    |       | Power Exhaust - Y Voltage                        | AXRX-BGF04Y       |  |  |
|                    |       | Louver Kit (2 Sides) 3-Ton                       | AXRX-AAD02B       |  |  |
|                    |       | Louver Kit (3 Sides) 4 & 5 Ton                   | AXRX-AAD01B       |  |  |
| 38                 | Stk   | Time Delay                                       | RXMD-B01          |  |  |
|                    |       | Low Ambient Control                              | RXRZ-B01          |  |  |
|                    |       | Fresh Air Damper - Manual                        | AXRF-FBA1         |  |  |
|                    |       | Fresh Air Damper - Motorized                     | AXRF-FBB1         |  |  |



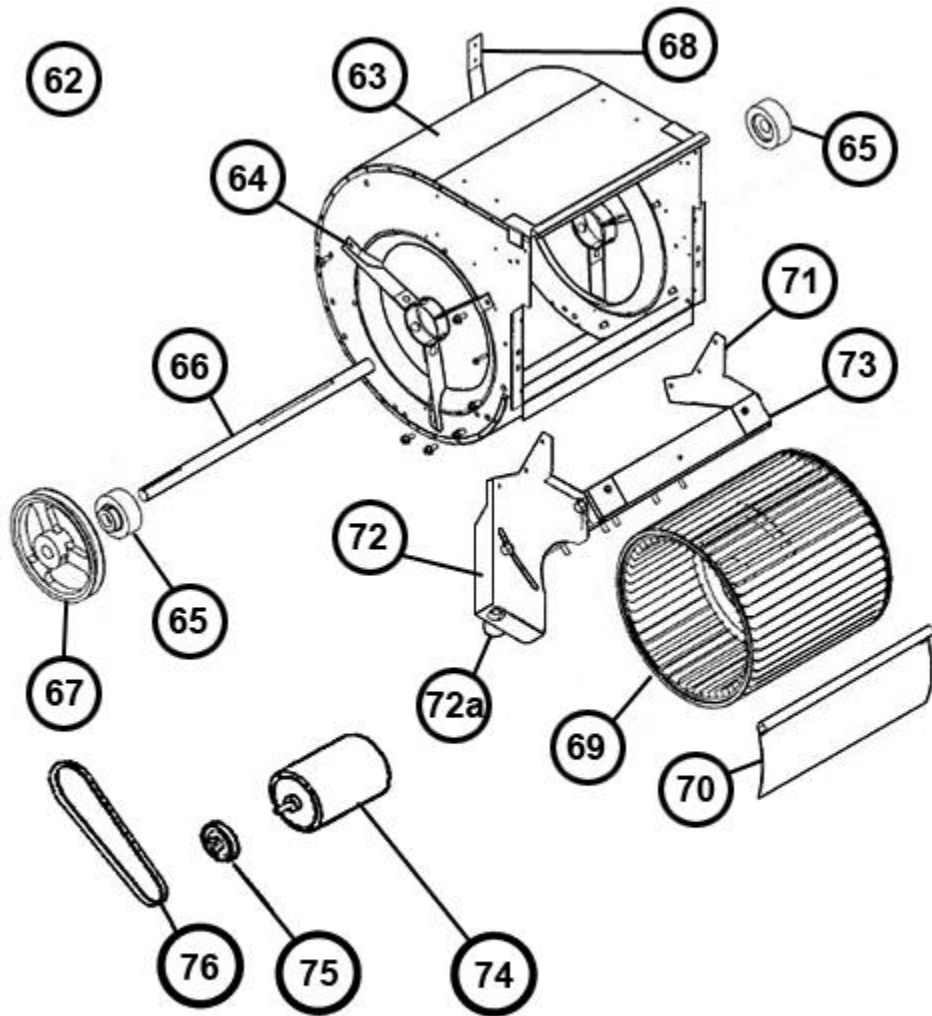
Exploded View



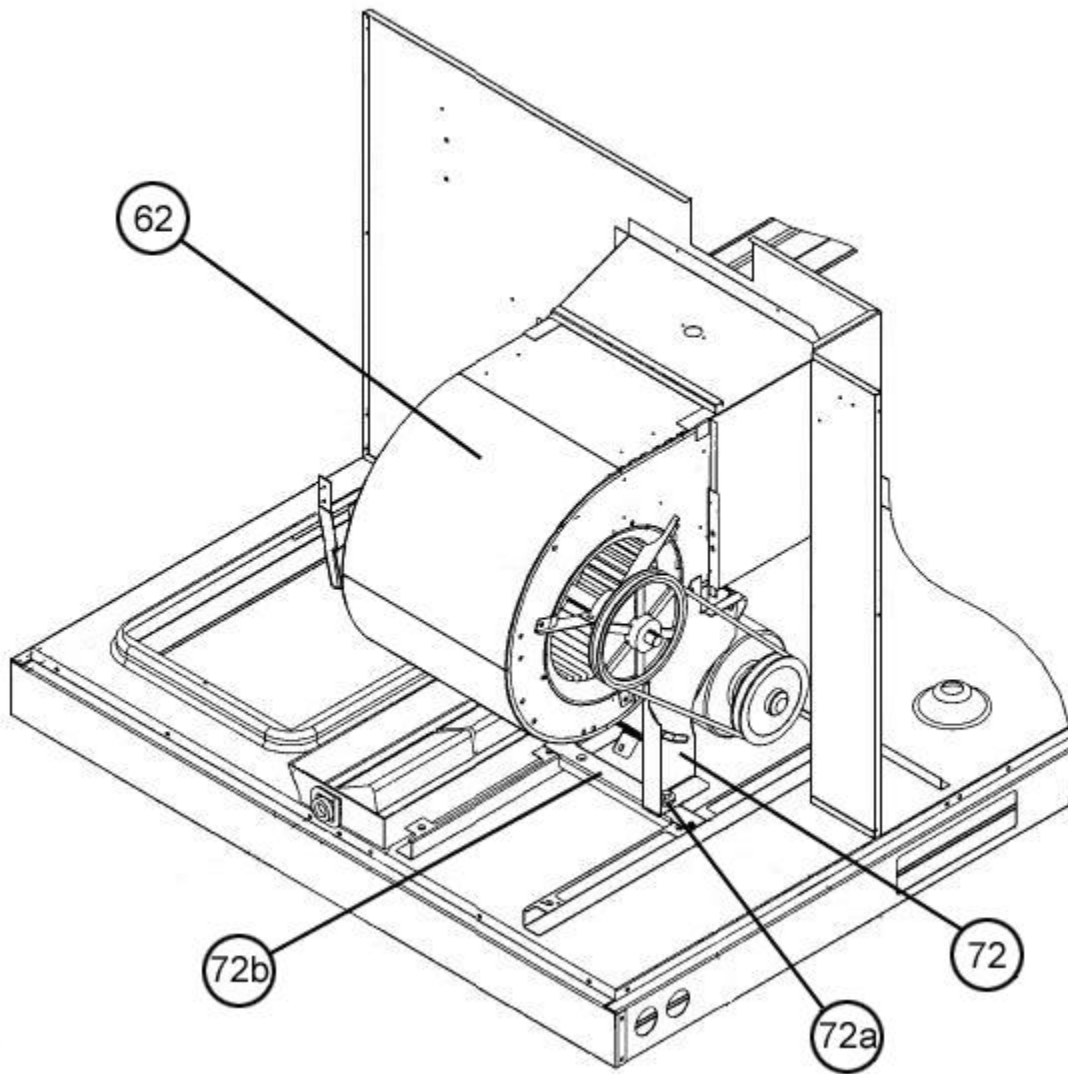
Control Box



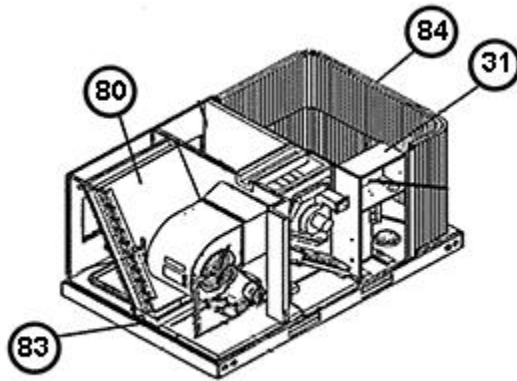
Blower Assembly - Direct Drive



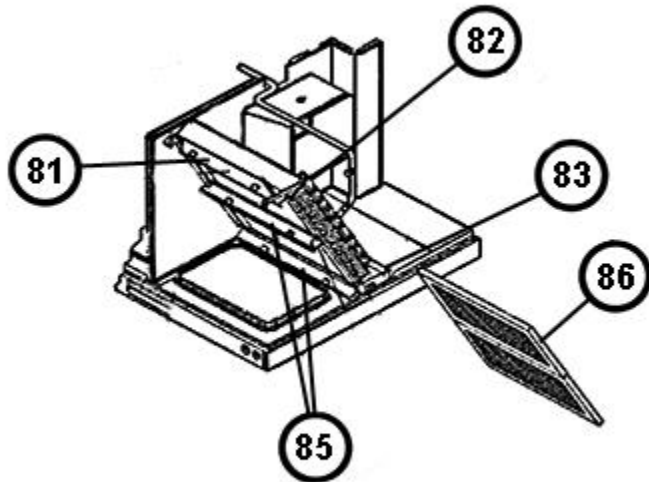
Blower Assembly - Belt Drive



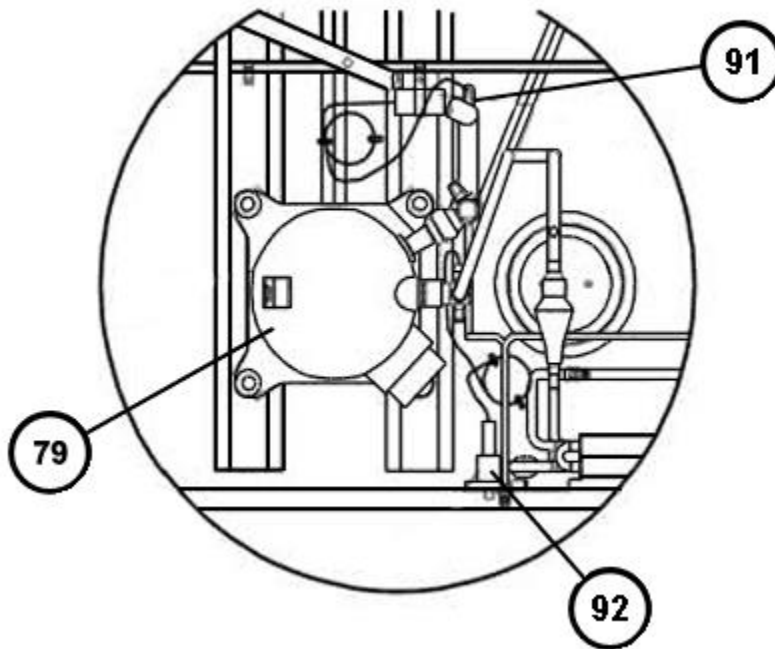
Blower Motor Mount Assembly - Belt Drive



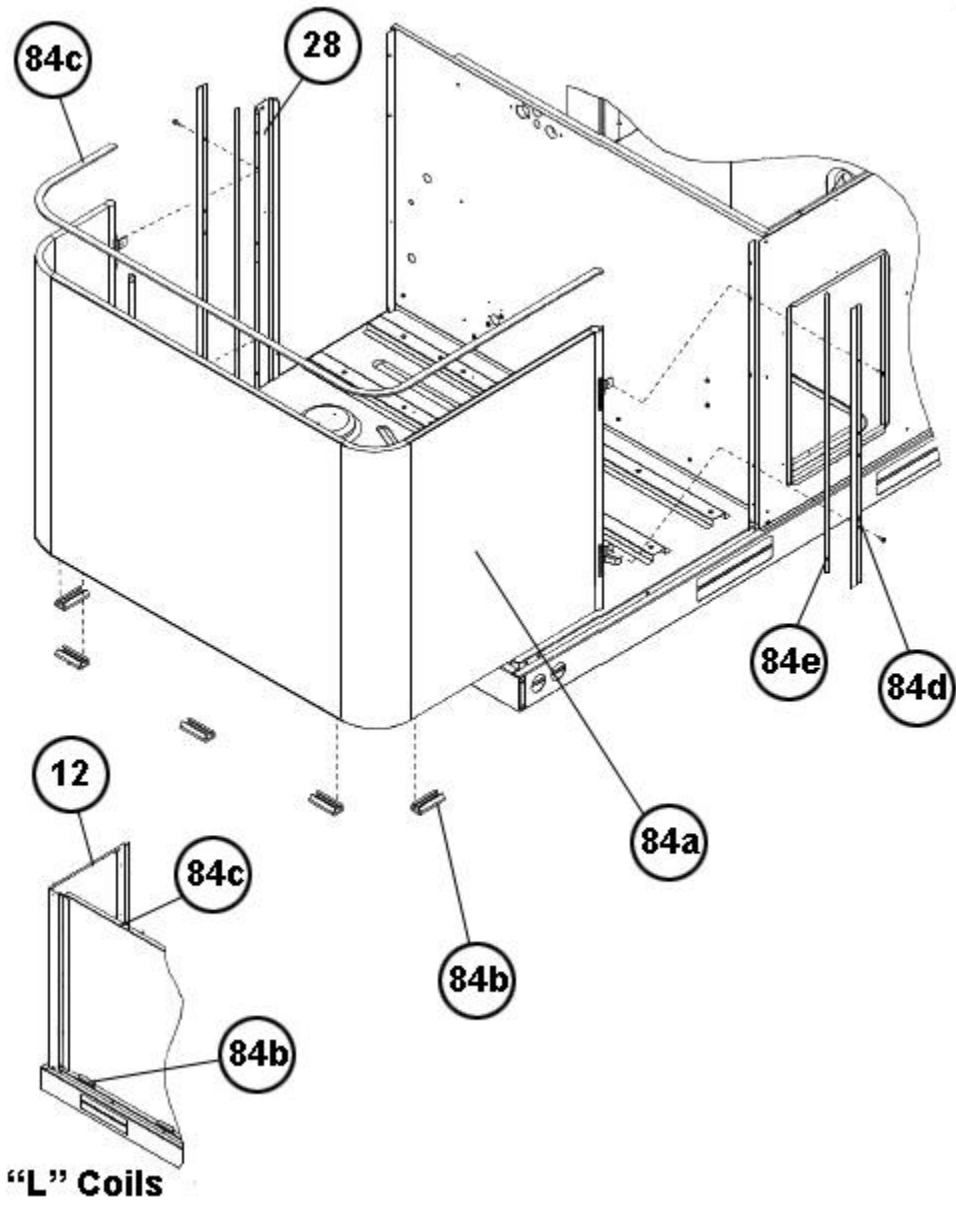
Coil Group Cut-away View



Evaporator Coil - Filter Parts



Compressor - Refrigeration Group



**"L" Coils**

Condenser Coil Pads

# NOTES

Stk It is recommended that stock be maintained for this part.  
N/A Not Applicable

**DISCLAIMER:** This document is intended to provide general replacement parts information to aid qualified service personnel in the repair of these models. The complete Model and Serial Number of the unit under repair should be specified when selecting and ordering replacement parts. Specifications and illustrations are subject to change without notice. Document 92-42800-RLQN-A supersedes all previous parts lists for these models. See <http://www.rheempartslists.net/92-42800-RLQN-A> for the latest revision of this document. The manufacturer assumes no obligation for errors or omissions. Service personnel must verify the proper and safe operation of equipment after the replacement of any original components.