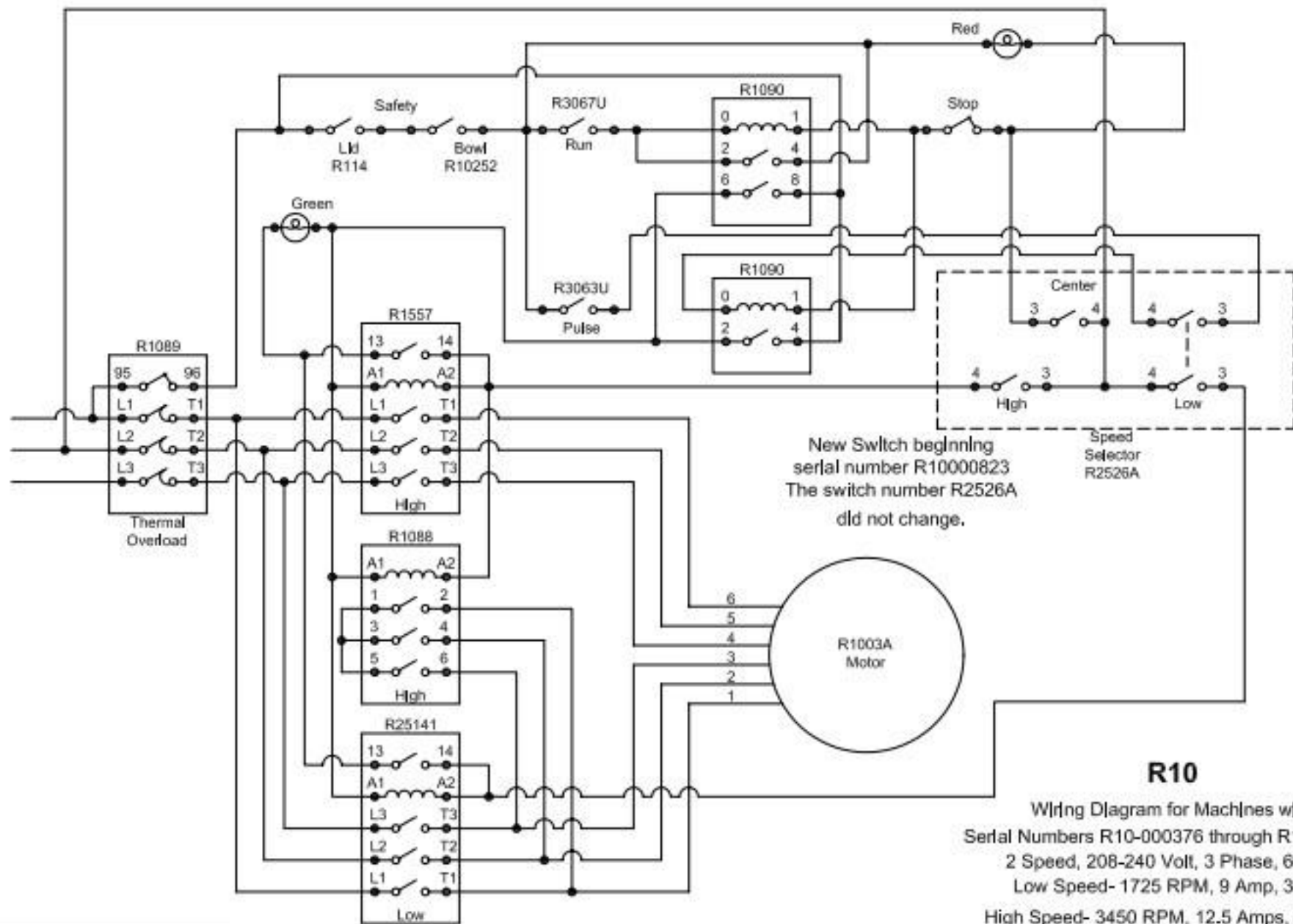
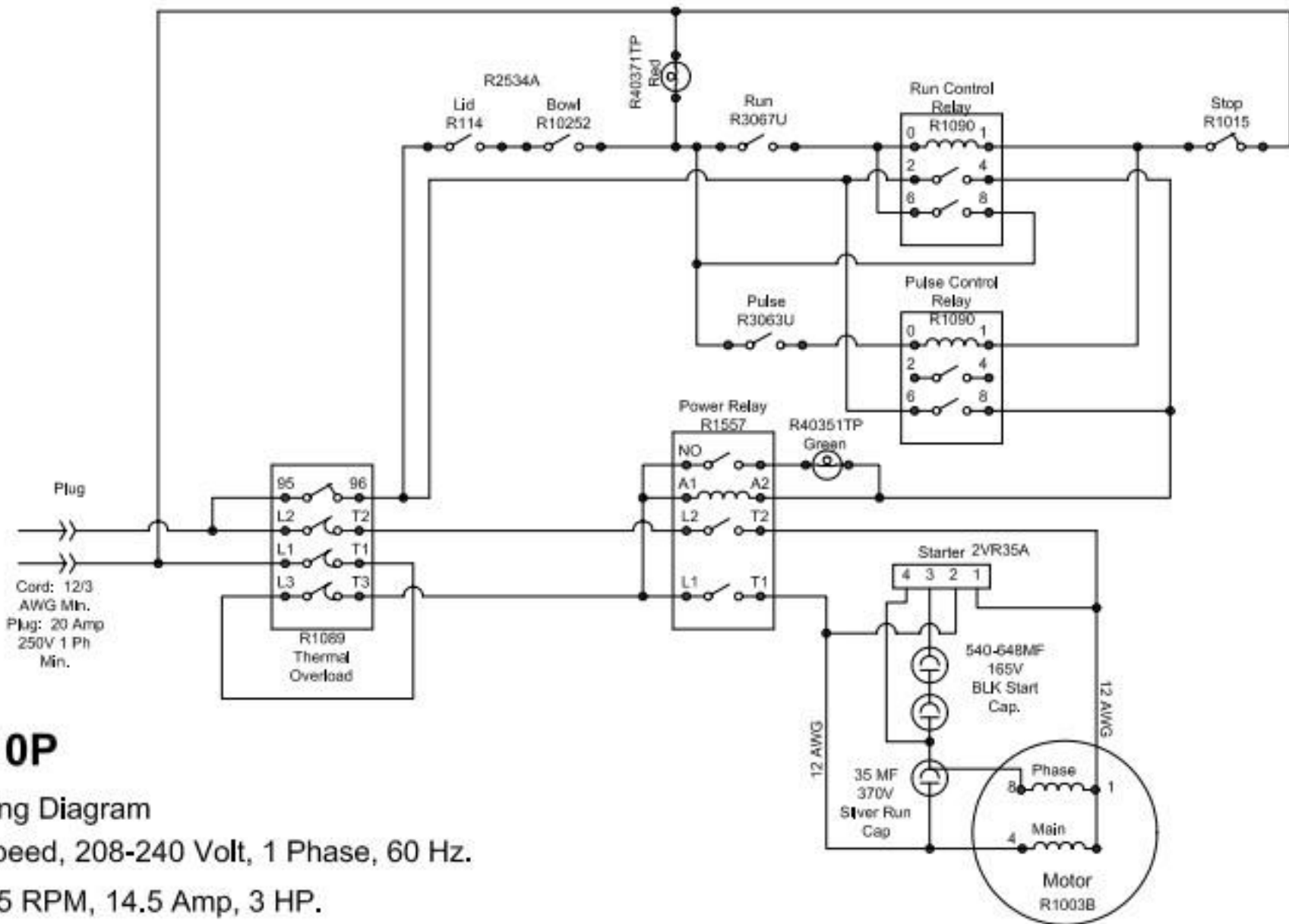


New Switch beginning
 serial number
 R10000823
 The switch number
 R2526A did not
 change.

R10

Wiring Diagram for Machines with
 Serial Numbers R10-000823 and up
 2 Speed, 208-240 Volt, 3 Phase, 60 Hz.
 Low Speed- 1725 RPM, 9 Amp, 3 HP.
 High Speed- 3450 RPM, 12.5 Amps, 4.5 HP.





R10P

Wiring Diagram

1 Speed, 208-240 Volt, 1 Phase, 60 Hz.

1725 RPM, 14.5 Amp, 3 HP.