

**MANUFACTURING
NUMBERS:**

9020440
9020442
9020444
9020450
9020452
9020455
9020456
9020458
9020460
9020462
9020464
9020465
9020466
9020468
9020470
9020472
9020480
9020481
9020482
9020485
9020486

roundup
FOOD EQUIPMENT DIVISION

***DISPLAY CABINETS
HEATED***

Model DCH



P/N 1010677 Rev. D 12/99



Owner's Manual

TABLE OF CONTENTS

Owner Information	1	Installation	6
<i>General</i>	1	<i>Unpacking</i>	6
<i>Warranty Information</i>	1	<i>Equipment Setup</i>	6
<i>Service/Technical Assistance</i>	2	Operation	7
Important Safety Information	2	<i>General</i>	7
Specifications	4	<i>Operating Instructions</i>	7
<i>Electrical Ratings</i>	4	Maintenance	8
<i>Electrical Cord & Plug Configurations</i>	4	<i>Cleaning</i>	8
<i>Model Designation</i>	4	<i>Parts Replacement</i>	8
<i>Temperature Ranges</i>	5	Troubleshooting	11
<i>Capacities</i>	5	Replacement Parts	12-19
<i>Dimensions</i>	5	Wiring Diagram	20
		Warranty	Back Cover

OWNER INFORMATION

General

The Roundup Display Case attractively displays your food and maintains it at ready-to-eat temperature. A convection fan circulates oven heat throughout the entire display cabinet while a digitally controlled thermostat maintains a constant temperature. Humidity water trays extend food holding times by reducing moisture loss.

Models DCH-10, DCH-20 and DCH-30 are designed for POTENTIALLY HAZARDOUS FOOD display.

Models DCH-12, DCH-22 & DCH-32 are designed for NON-POTENTIALLY HAZARDOUS FOOD display.

This manual provides the safety, installation and operating procedures for the unit. We recommend that all information contained in this manual be read prior to installing and operating the unit.

This unit is manufactured from the finest materials available and is assembled to Roundup's strict quality standards. This unit has been tested at the factory to ensure dependable trouble-free operation.

Warranty Information

Please read the full text of the Limited Warranty in this manual.

If the unit arrives damaged, contact the carrier immediately and file a damage claim with them.

Save all packing materials when filing a claim. Freight damage claims are the responsibility of the purchaser and **are not** covered under warranty.

The warranty **does not** extend to:

- Damages caused in shipment or damage as result of improper use.
- Installation of electrical service.
- Normal maintenance as outlined in this manual.
- Malfunction resulting from improper maintenance.
- Damage caused by abuse or careless handling.
- Damage from moisture into electrical components.
- Damage from tampering with, removal of, or changing any preset control or safety device.

**IMPORTANT! Keep these instructions for future reference.
If the unit changes ownership, be sure this manual accompanies the equipment.**

OWNER INFORMATION (continued)

Service/Technical Assistance

If you experience any problems with the installation or operation of your unit, contact your local Roundup Authorized Service Agency.

Fill in the information below and have it handy when calling your authorized service agency for assistance. The serial number is on the specification plate located on the unit.

Purchased From: _____

Date of Purchase: _____

Model No.: _____

Serial No.: _____

Mfg. No.: _____

Refer to the service agency directory included with your unit.

Authorized Service Agency

Name: _____

Phone No.: _____

Address: _____

Use only genuine Roundup replacement parts in this unit. Use of replacement parts other than those supplied by the manufacturer will void the warranty. Your Authorized Service Agency has been factory trained and has a complete supply of parts for this unit.

You may also contact the factory at **1-877-392-7854** if you have trouble locating your local authorized service agency.

IMPORTANT

A.J. Antunes & Co. reserves the right to change specifications and product design without notice. Such revisions do not entitle the buyer to corresponding changes, improvements, additions or replacements for previously purchased equipment.

IMPORTANT SAFETY INFORMATION

Throughout this manual, you will find the following safety words and symbols that signify important safety issues with regards to operating or maintaining the equipment.

WARNING

GENERAL WARNING. Indicates information important to the proper operation of the equipment. Failure to observe may result in damage to the equipment and/or severe bodily injury or death.

WARNING

ELECTRICAL WARNING. Indicates information relating to possible shock hazard. Failure to observe may result in damage to the equipment and/or severe bodily injury or death.

CAUTION

GENERAL CAUTION. Indicates information important to the proper operation of the equipment. Failure to observe may result in damage to the equipment.

WARNING

HOT SURFACE WARNING. Indicates information important to the handling of equipment and parts. Failure to observe caution could result in personal injury.

In addition to the warnings and cautions in this manual, use the following guidelines for safe operation of the unit.

- Read all instructions before using equipment.
- For your safety, the equipment is furnished with a properly grounded cord connector. Do not attempt to defeat the grounded connector.
- Install or locate the equipment only for its intended use as described in this manual.
- Do not operate this equipment if it has a damaged cord or plug, if it is not working properly, or if it has been damaged or dropped.
- This equipment should be serviced by qualified personnel only. Contact the nearest Roundup authorized service facility for adjustment or repair.
- Do not block or cover any openings on the unit.
- Keep cord away from heated surfaces.
- Do not allow cord to hang over edge of table or counter.

The following warnings and cautions appear throughout this manual and should be carefully observed.

- Turn the unit off, disconnect the power source and allow unit to cool down before performing any service or maintenance on the unit.
- The procedures in this chapter may include the use of chemical products. These chemical products will be highlighted with bold face letters followed by the abbreviated HCS (Hazard Communication Standard). See Hazard Communication Standard manual for the appropriated Material Safety Data Sheets (MSDS).
- The unit should be grounded according to local electrical codes to prevent the possibility of electrical shock. It requires a grounded receptacle with separate electrical lines, protected by fuses or circuit breaker of the proper rating.
- All electrical connections must be in accordance with local electrical codes and any other applicable codes.
- **WARNING ELECTRICAL SHOCK HAZARD. FAILURE TO FOLLOW THESE INSTRUCTIONS COULD RESULT IN SERIOUS INJURY OR DEATH.**

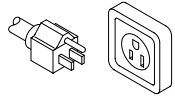
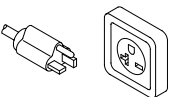
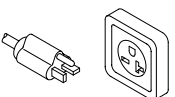
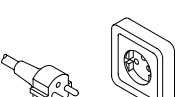
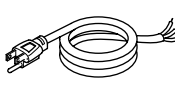
- Electrical ground is required on this appliance.
- Do not modify the power supply cord plug. If it does not fit the outlet, have a proper outlet installed by a qualified electrician.
- Do not use an extension cord with this appliance.
- Check with a qualified electrician if you are in doubt as to whether the appliance is properly grounded.
- This equipment is to be installed to comply with the basic plumbing code of the Building Officials and Code Administration, Inc. (BOCA) and the Food Service Sanitation Manual of the Food and Drug Administration (FDA).
- Do not immerse cord or plug in water.
- Do not clean this appliance with a water jet.
- Do not use a sanitizing solution or abrasive materials. The use of these may cause damage to the stainless steel finish.
- Do not use corrosive chemicals in this equipment.
- Chlorides or phosphates in cleansing agents (e.g. bleach, sanitizers, degreasers or detergents) could cause permanent damage to stainless steel equipment. The damage is usually in the form of discoloration, dulling of metal surface finish, pits, voids, holes or cracks. This damage is permanent and not covered by warranty.
- The following tips are recommended for maintenance of your stainless steel equipment.
 - Always use soft, damp cloth for cleaning, rinse with clear water and wipe dry. When required, always rub in direction of metal polish lines.
 - Routine cleaning should be done daily using soap, ammonia detergent and water.
 - Stains and spots should be sponged using a vinegar solution as required.
 - Finger marks and smears should be rubbed off using soap and water.
 - Hard water spots should be sponged using a vinegar solution.

SPECIFICATIONS

Electrical Ratings

Model	Voltage	Watts	Amps	Hertz
DCH-10/12	120	1550	12.9	50/60
DCH-20	208/220	2100	8.8	50/60
DCH-22/32	120	1800	15.0	50/60
DCH-30/32	208 220-240	2900	12.1	50/60

Electrical Cord & Plug Configurations

Letter Code*	Description	Configuration
F	NEMA-5-15P 15 Amp, 120 VAC	
T	NEMA 5-20P 20 Amp, 120 VAC	
V	NEMA 6-20P 20 Amp, 250 VAC	
C	CEE 7/7 Schuko 20 Amp, 250 VAC	
C H	Commercial Cord Harmonized Cord	

* Used in model designation.

⚠ CAUTION ⚠

All electrical connections must be in accordance with local electrical codes and any other applicable codes.

⚠ WARNING ⚠

ELECTRICAL SHOCK HAZARD. FAILURE TO FOLLOW THE INSTRUCTIONS IN THIS MANUAL COULD RESULT IN SERIOUS INJURY OR DEATH.

- Electrical ground is required on this appliance.
- Do not modify the power supply cord plug. If it does not fit the outlet, have a proper outlet installed by a qualified electrician.
- Do not use an extension cord with this appliance.
- Check with a qualified electrician if you are in doubt as to whether the appliance is properly grounded.

Model Designation

DCH-10 XX

DCH-12

DCH-20

DCH-22

DCH-30

DCH-32

TYPE OF POWER CORD

H = HARMONIZED

C = COMMERCIAL

TYPE OF PLUG

C = CEE 7/7 Schuko

F = NEMA 5-15P

T = NEMA 5-20P

V = NEMA 6-20P

Temperature Ranges

DCH-10: 150°-165°F (66°-74°C)

DCH-12: 100°-165°F (38°-74°C)

DCH-20: 150°-165°F (66°-74°C)

DCH-22: 100°-165°F (38°-74°C)

DCH-30: 150°-165°F (66°-74°C)

DCH-32: 100°-165°F (38°-74°C)

Capacities

DCH-10/DCH-12

- One 2-1/2" (63.5 mm) deep full size steam table pan.
- One water tray at 4 quarts (3.8 liters).

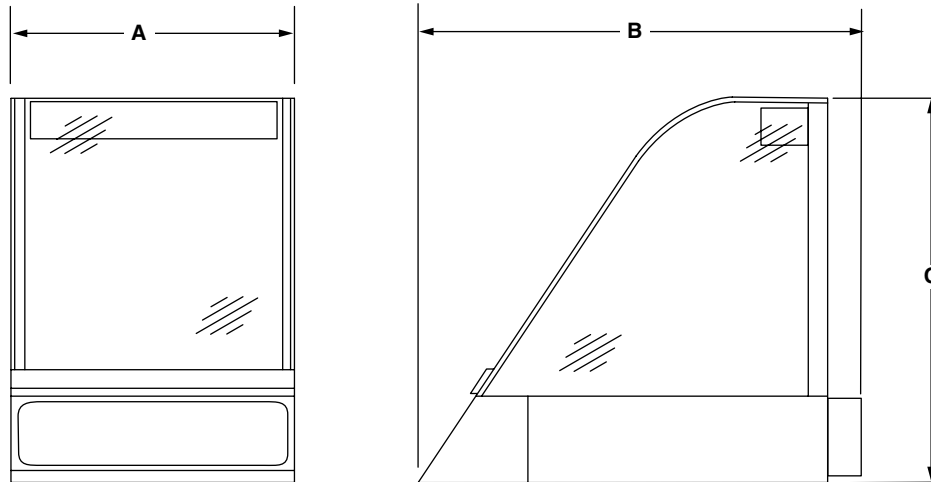
DCH-20/DCH-22

- Two 2-1/2" (63.5 mm) deep full size steam table pans.
- Two water trays at 4 quarts (3.8 liters) each.

DCH-30/DCH-32

- Three 2-1/2" (63.5 mm) deep full size steam table pans.
- Two water trays at 5 quarts (4.7 liters) each.

Dimensions



Model	Dim. A	Dim. B	Dim. C
DCH-10 DCH-12	15-1/8" (384 mm)	30-1/4" (768 mm)	22-13/32" (569 mm)
DCH-20 DCH-22	30-1/4" (768 mm)	30-1/4" (768 mm)	22-13/32" (569 mm)
DCH-30 DCH-32	42-1/16" (1068 mm)	30-1/4" (768 mm)	22-13/32" (569 mm)

INSTALLATION

Unpacking

1. Remove unit and all packing materials from shipping carton.
2. Open the large box. Remove all packing materials and protective coverings from the unit and parts.

NOTE: If any parts are missing or damaged, contact Antunes Technical Service IMMEDIATELY at 1-877-392-7854.

3. Wash all components in soap and water. Wipe all surfaces of the unit with a hot damp cloth.

NOTE: Do not use a dripping wet cloth. Wring out before use.

4. Install components in unit.

Equipment Setup

When placing the unit into service, pay attention to the following guidelines.

- Make sure power to the unit is off and the unit is at room temperature.
- Do not block or cover any openings on the unit.
- Do not immerse cord or plug in water.
- Keep cord away from heated surfaces.
- Do not allow cord to hang over edge of table or counter.
- Place unit on a sturdy, level table or work surface.
- Ensure that the line voltage corresponds to the stated voltage on the unit specification label.
- Turn off the rocker switch. Connect the unit to the power supply.

⚠ CAUTION ⚠

All electrical connections must be in accordance with local electrical codes and any other applicable codes.

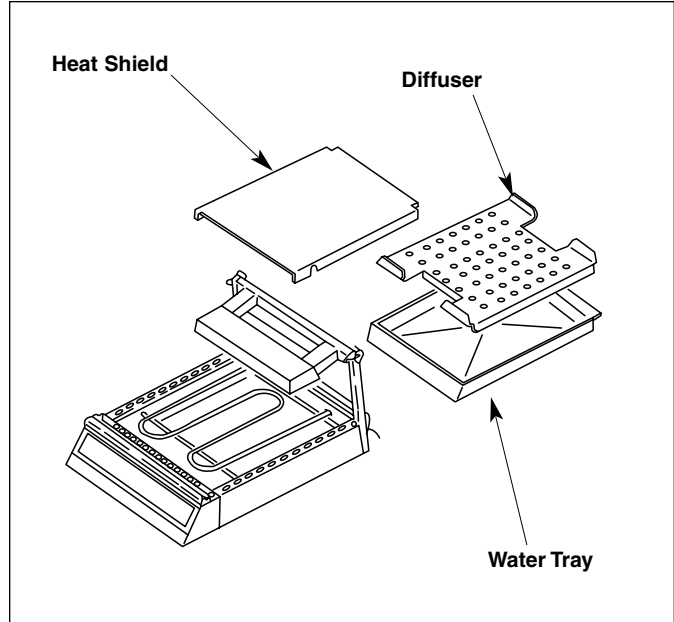


Figure 1. Display Components (DCH-10 Shown)

⚠ WARNING ⚠

ELECTRICAL SHOCK HAZARD. FAILURE TO FOLLOW THE INSTRUCTIONS IN THIS MANUAL COULD RESULT IN SERIOUS INJURY OR DEATH.

- Electrical ground is required on this appliance.
- Do not modify the power supply cord plug. If it does not fit the outlet, have a proper outlet installed by a qualified electrician.
- Do not use an extension cord with this appliance.
- The unit should be grounded according to local electrical codes to prevent the possibility of electrical shock. It requires a grounded receptacle with separate electrical lines, protected by fuses or circuit breaker of the proper rating.
- Check with a qualified electrician if you are in doubt as to whether the appliance is properly grounded.

OPERATION

1. Slide the water tray(s) out until rectangular opening is exposed and fill with clean tap water (Figure 2). See *Specifications* for tray capacity.
2. Carefully push tray into unit avoiding any spillage.
3. Set the rocker switch (Figure 3) to the ON position.
4. To set desired temperature, depress and hold the temperature button (Figure 3) while turning the temperature control knob to the desired setting (setpoint).

IMPORTANT: *Setpoint temperature can be changed without depressing the temperature button, so do not turn the temperature control knob unless you want to change the setpoint temperature.*

IMPORTANT: *Models DCH-12, DCH-22 and DCH-32 have a temperature range of 100°-165°F (38°-74°C) which is below the safe holding temperature for some foods. Only non-potentially hazardous food should be held in these units.*

NOTE: *Setpoint temperature is the desired temperature setting. Indicated temperature is the actual temperature inside the cabinet. When the temperature button is depressed and held, setpoint temperature is displayed; when released, the indicated temperature is displayed.*

5. The unit will reach the desired temperature and humidity in 30-45 minutes.

NOTE: *If more humidity is desired, remove one or more tray diffusers. If not humidity is desired, operate the unit without water in the water tray(s).*

6. Open the rear door and place the serving table pan(s) into the unit (Figure 4). Load the pan(s) with food using tongs or similar utensil. Close the door.

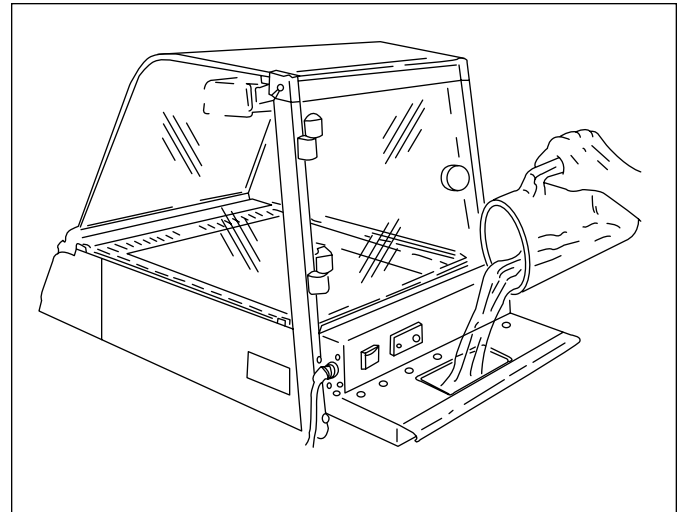


Figure 2. Filling Water Tray (DCH-10 Shown)

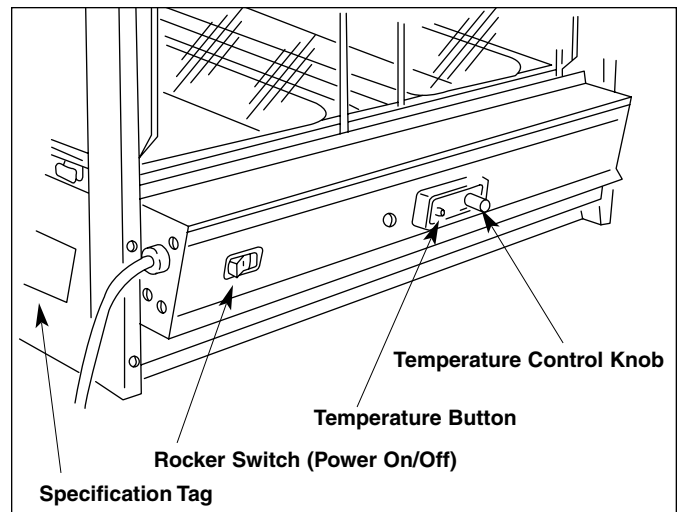


Figure 3. Controls

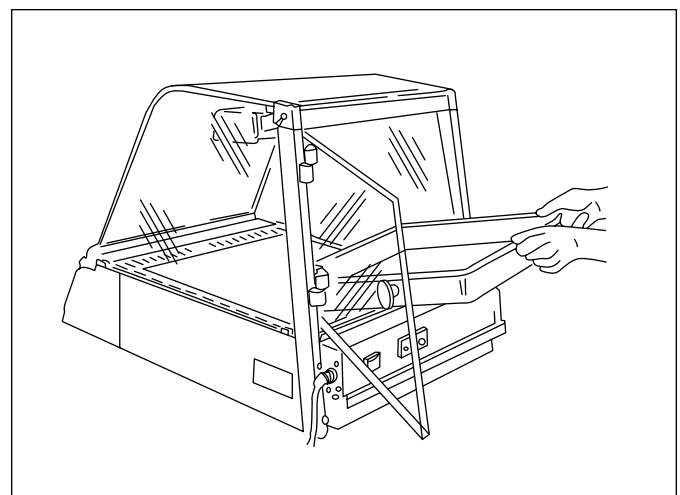


Figure 4. Loading Food (DCH-10 Shown)

MAINTENANCE

⚠ CAUTION ⚠

Chlorides or phosphates in cleaning agents (e.g. bleach, sanitizers, degreasers or detergents) could cause permanent damage to stainless steel equipment. The damage is usually in the form of discoloration, dulling of metal surface finish, pits, voids, holes or cracks. This damage is permanent and not covered by warranty. The following tips are recommended for maintenance of your stainless steel equipment:

- Always use soft, damp cloth for cleaning, rinse with clear water and wipe dry. When required, always rub in direction of metal polish lines.
- Routine cleaning should be done daily using soap, ammonia detergent and water.
- Stains and spots should be sponged using a vinegar solution.
- Finger marks and smears should be rubbed off using soap and water.
- Hard water spots should be sponged using a vinegar solution.

⚠ WARNING ⚠

Turn the unit off, disconnect the power source and allow the unit to cool down before performing any service or maintenance on the unit.

⚠ WARNING ⚠

Do not use a sanitizing solution or abrasive materials. The use of these may cause damage to the stainless steel finish.

⚠ WARNING ⚠

All glass surfaces must be cool before cleaning. Once cool, wipe glass with a clean cloth. Do not attempt to clean glass when hot or with cold towel as shattering glass may occur.

Cleaning

The unit requires a minimum amount of maintenance. To ensure proper operation, clean the unit at the end of each serving day.

1. Turn rocker switch to the OFF position.
2. Unplug the power cord from the electrical outlet and allow the unit to cool to room temperature before proceeding.

⚠ WARNING ⚠

Do not remove water tray(s) or pan(s) while unit is hot or personal injury may result.

3. Wash all components in soap and water. Wipe all surfaces of the unit with a hot damp cloth.

NOTE: Do not use a dripping wet cloth. Wring out before use.

⚠ WARNING ⚠

All glass surfaces must be cool before cleaning. Once cool, wipe glass with a clean cloth. Do not attempt to clean glass when hot or with cold towel as shattering glass may occur.

4. Wash and dry all surfaces of the unit.
5. Install components in unit.

Parts Replacement

HEAT LAMP REPLACEMENT

1. Turn rocker switch to the OFF position.
2. Unplug the power cord from the electrical outlet and allow the unit to cool to room temperature before proceeding.
3. Gently, but firmly, depress the lamp socket and remove the lamp (Figure 5).
4. Install a new lamp while depressing the socket. Make sure lamp is fully seated before releasing socket.

⚠ CAUTION ⚠

Do not handle heat lamp with fingers. Use a tissue or clean cloth to handle lamps.

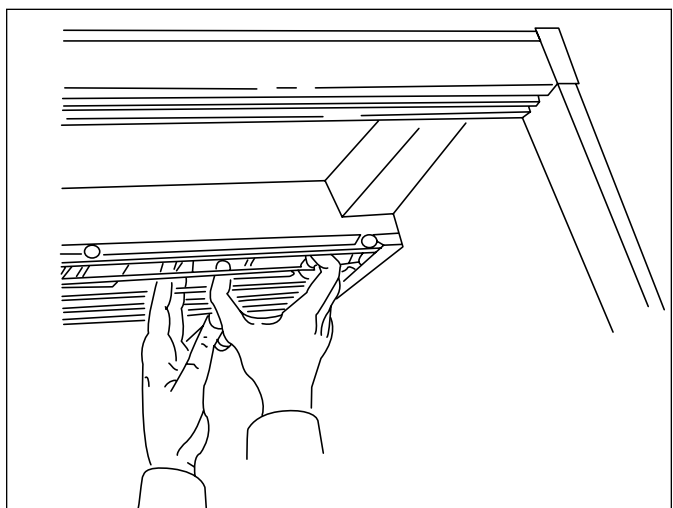


Figure 5. Heat Lamp Replacement

FRONT DISPLAY GRAPHICS OR LAMP REPLACEMENT

1. Turn rocker switch to the OFF position.
 2. Unplug the power cord from the electrical outlet and allow the unit to cool to room temperature before proceeding.
 3. Unplug the power cord from the electrical outlet and allow the unit to cool to room temperature before proceeding.
 4. Using a screwdriver or similar flatbladed tool, gently pry one side of the display panel assembly from the unit (Figure 6), then remove the panel.
 5. DCH-10/12: Remove lamp by gently turning it counterclockwise. Install a new lamp.
- DCH-20/22/30/32: Remove fluorescent tube by gently turning it up and out of the sockets. Remove bulb deflector and install on new tube, then install tube into unit.
6. Install new graphics by removing the white diffuser plate and transparency holder. Replace transparency and reinstall holder and plate.

REAR DOOR REPLACEMENT

DCH-10/12 Models

1. Turn rocker switch to the OFF position.
2. Unplug the power cord from the electrical outlet and allow the unit to cool to room temperature before proceeding.
3. Open the rear door and lift off the hinge pins.
4. Place new door on hinge pins and slide door down into track.

DCH-20/22/30/32 Models

1. Turn rocker switch to the OFF position.
2. Unplug the power cord from the electrical outlet and allow the unit to cool to room temperature before proceeding.
3. Firmly grasp the sides of one glass door. Lift the door up and out of the bottom track. Repeat for the other door.
4. Place new door in the inside upper track. Push up firmly and slide bottom of door into bottom inside track. Install other door into outside tracks the same way.

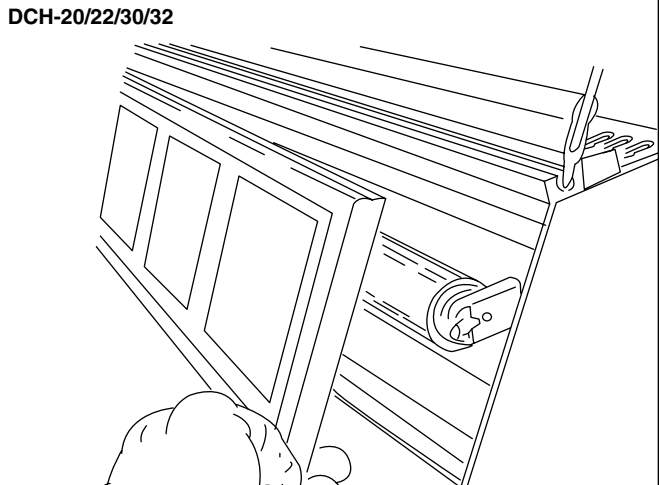
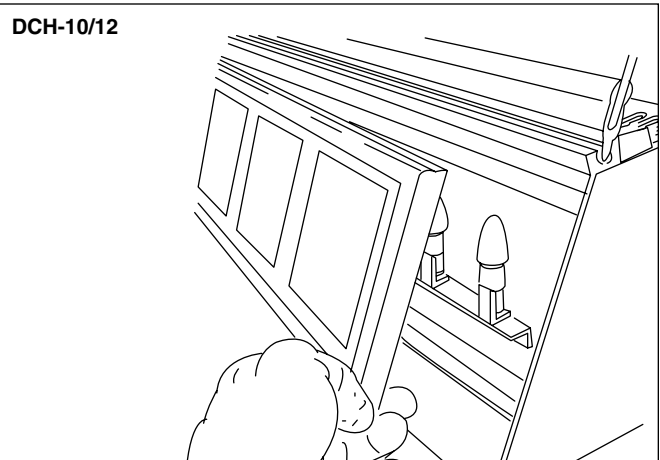


Figure 6. Display Lamp Replacement

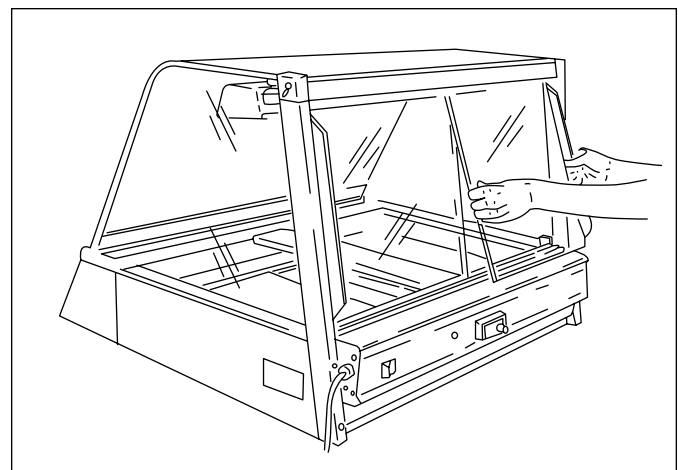


Figure 7. Rear Door(s) Removal/Installation

MAINTENANCE (continued)

FRONT GLASS PANEL REPLACEMENT

⚠ CAUTION ⚠

Front glass panel replacement should be performed by two people to prevent damage to the glass.

1. Turn rocker switch to the OFF position.
2. Unplug the power cord from the electrical outlet and allow the unit to cool to room temperature before proceeding.
3. Loosen the screw securing each top glass retainer. Slide retainer up and to the rear.
4. Tilt front glass panel assy. forward on the hinge plate and remove from unit.
5. To reinstall, be sure glass panel assy. is fully seated in hinge plate, then tilt panel assy. fully rearward. Secure with top retainer and tighten screws.

SIDE GLASS REPLACEMENT

1. Turn rocker switch to the OFF position.
2. Unplug the power cord from the electrical outlet and allow the unit to cool to room temperature before proceeding.
3. Remove the screws securing each top retainer and remove retainers.
4. Tilt front glass panel assy. forward on the hinge plate and remove from unit.

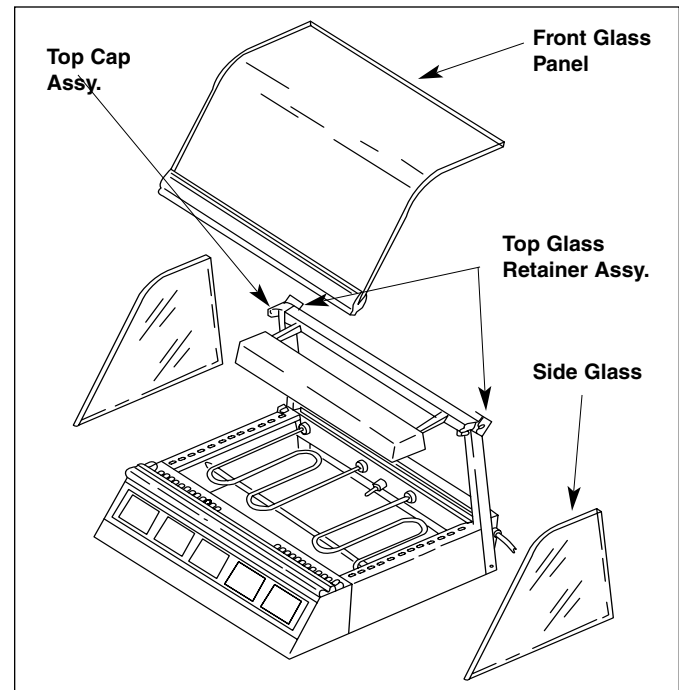


Figure 7. Glass Panel (s) Replacement

5. Remove both top cap assys.
6. Lift side glass panel up and forward to remove it from the glass clips.
7. To reinstall, position side glass panel into glass clips. Push fully rearward. Reinstall front glass panel assy.
8. Secure with top caps and retainers. Tighten screws.

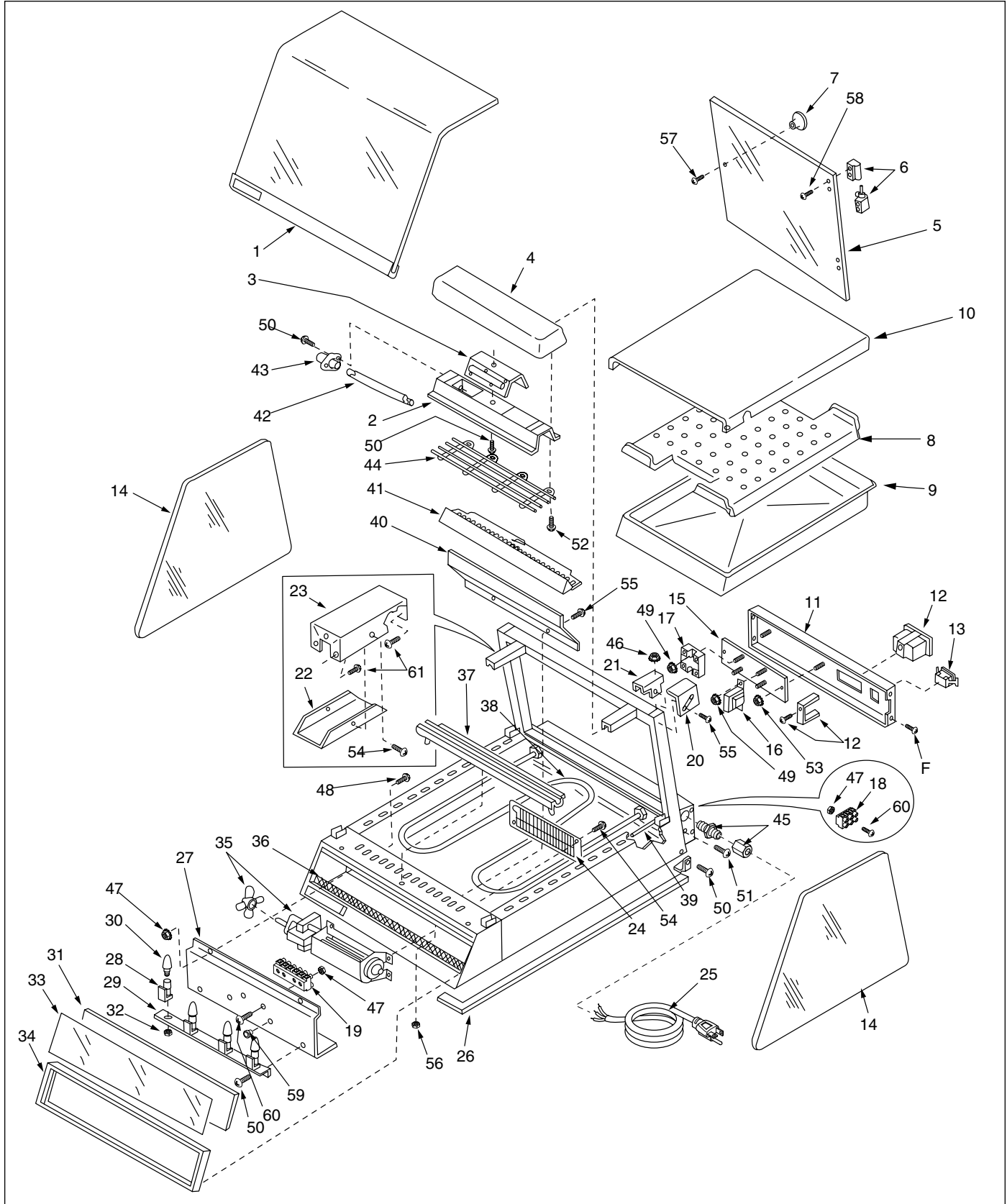
TROUBLESHOOTING

▲ WARNING ▲

To avoid possible personal injury and/or damage to the unit, inspection, test and repair of electrical equipment should be performed by qualified service personnel. The unit should be unplugged when servicing.

Problem	Possible Cause	Corrective Action
Unit does not operate. Temperature display does not light.	No power.	Check that power cord is plugged in. Check fuse or circuit breaker.
	Defective electrical outlet.	Plug unit into another outlet or have outlet replaced.
	Loose connection.	Check and tighten all electrical connections.
	Defective power cord or plug.	Replace power cord.
	Defective rocker switch (power on/off).	Replace switch.
No heat.	Defective temperature display control.	Replace control.
	Defective heating element(s).	Replace heating element(s).
	Defective thermocouple.	Replace thermocouple.
	Defective solid state relay.	Replace solid state relay.
	Defective stepdown transformer.	Replace transformer.
Display panel does not light.	Light bulb burned out.	Replace light.
	DCH-20/22/30/32 only. Defective ballast.	Replace ballast.
Halogen heat lamp(s) will not light.	Heat lamp(s) burned out.	Replace heat lamp(s).
	Defective resistor assy.	Replace resistor assy.
	Faulty quartz lamp socket.	Replace socket.

REPLACEMENT PARTS – DCH-10/12



REPLACEMENT PARTS – DCH-10/12

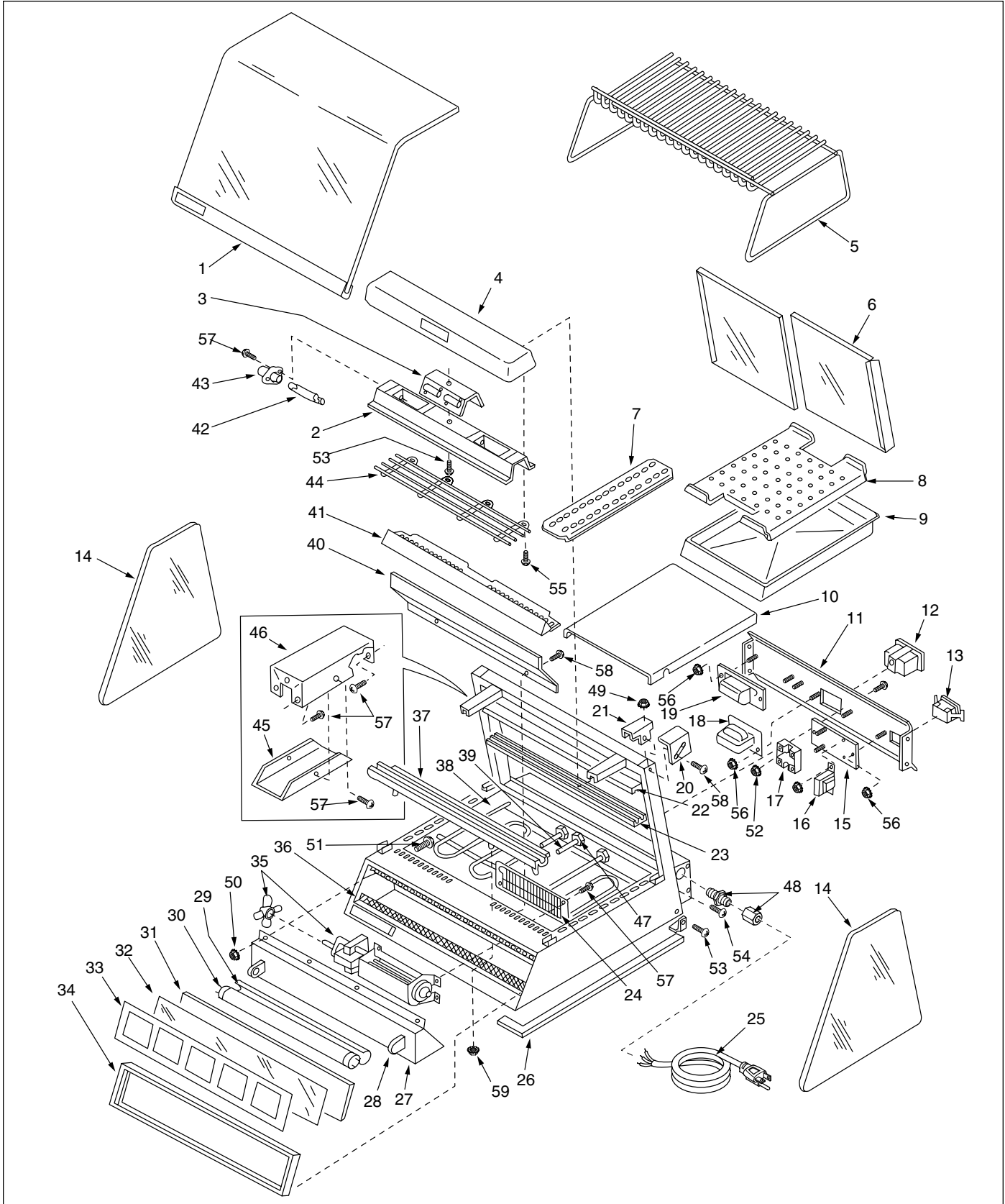
Item	Part No.	Description	Qty.
1	0011103	Front Glass Panel Assy.	1
2	0021057	Inner Lamp Housing Weldment	1
3	0011107	Resistor Assy.	1
4	0503046	Housing, Lamp	1
5	0900214	Rear Door	1
6	2110139	Hinge, Lift-Off	2
7	2100145	Knob, Cover	1
8	0503044	Diffuser, Water Tray	1
9	0503038	Water Tray	1
10	0502172	Heat Shield	1
11	0021058	Control Panel Weldment	1
12	402K172	Temperature Control Display, 150°-165°F (66°-74°C), DCH-10	1
	7000118	Temperature Control Display, 100°-165°F (38°-74°C), DCH-12	1
13	4010151	Rocker Switch, Power On/Off	1
14	0900143	Side Glass	1
15	0020702	Heat Sink Assy.	2
16	4010159	Transformer, 120V/12V	1
17	405K125	Relay, Solid State	1
18	4060304	Terminal Block, 3-Pole	1
19	4060341	Terminal Block, 8-Pole	1
20	0502045	Retainer, Glass, LH**	1
	0502044	Retainer, Glass, RH**	1
21	0020670	Top Cap Assy., LH**	1
	0020669	Top Cap Assy., RH**	1
22	0502866	Cover, Lamp Housing Bracket	1
23	0502865	Bracket, Lamp	1
24	0501946	Grill, Blower	1
25	0700463	Power Cord w/Plug, NEMA 5-15P	1
26	020K110	Gasket Kit, Bottom	1
27	0503042	Lamp, Bulkhead	1
28	4060360	Candelabra Lamp Holder	4

Item	Part No.	Description	Qty.
29	0503052	Bracket, Lamp	1
30	4060359	Lamp, 120V, 10 Watt	4
31	0900216	Diffuser Panel	1
32	2070120	Nipple, 1/8-27	1
33	0900215	Display Panel	1
34	0021056	Display Frame Weldment	1
35	400K123	Blower Kit, 120V	1
36	0200202	Magnetic Strip	1
37	5040036	Base Hinge Assy.	1
38	4030305	Heating Element, 120V	1
39	4050163	Thermocouple Assy.	1
40	0503037	Duct, Access Cover	1
41	0503045	Heat Deflector	1
42	4060252	Lamp, Quartz Halogen, 100 Watt	1
43	4060189	Lamp Holder, Quartz	2
44	0800316	Guard, Lamp	1
45	040P138*	Strain Relief w/Locknut	1
46	210P116*	Rubber Bumper Pad	1
47	306P101*	Nut, Hex, #6-32, SS	1
48	306P105*	Screw, #6-32 x 1/2, SS	1
49	306P130*	Nut, Hex, KEPS, #6-32	1
50	308P103*	Screw, #8-32 x 1/4, One-Way	6
51	308P124*	Screw, #8-32 x 1/2, One-Way	1
52	308P127*	Screw, #8-32 x 5/16, SS	1
53	308P143*	Nut, Hex, KEPS, #8-32	1
54	308P144*	Screw, #8-32 x 1/4, #6 Head	2
55	308P159*	Thumbscrew, #8-32 x 11/32	1
56	310P146*	Nut, Hex, KEPS, #10-32	1
57	310P110*	Screw, #10-32 x 1/2, SS	4
58	310P123*	Screw, #10-24 x 1/2, SS	1
59	040P111*	Snap Bushing	2
60	306P123*	Screw, #6-32 x 7/8	2
61	308P151*	Screw, #8-32 x 5/16"	1

* Only available in packages of 10.

** LH/RH is determined by viewing front of curved glass panel.

REPLACEMENT PARTS – DCH-20/22/30/32



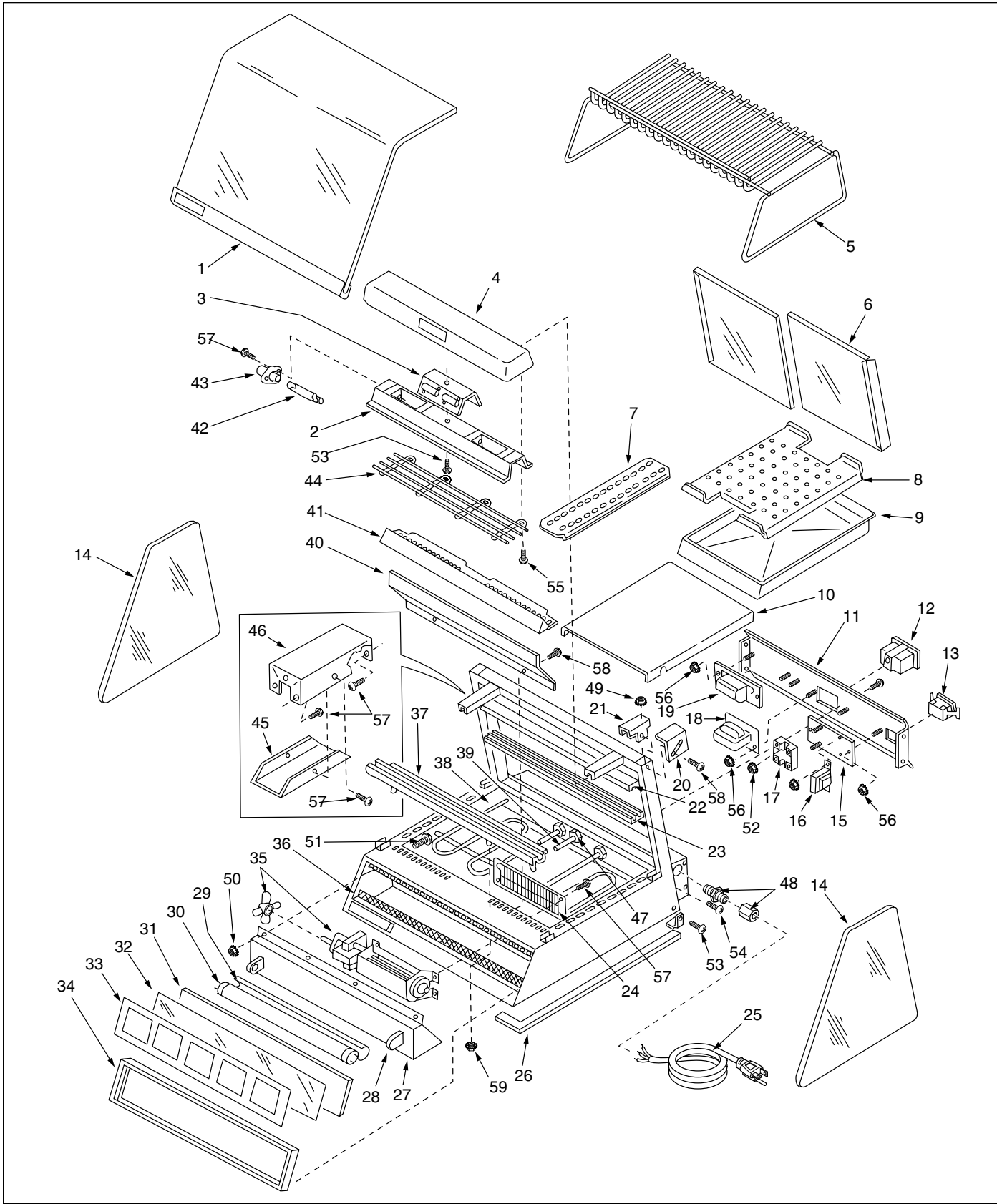
REPLACEMENT PARTS – DCH-20/22/30/32

Item	Part No.	Description	Qty.				
			DCH-20	DCH-22	DCH-30	(240V) DCH-32	(120V) DCH-32
1	0011002	Front Glass Panel Assy.	1	1	-	-	-
	0011003	Front Glass Panel Assy.	-	-	1	1	1
2	0020922	Inner Lamp Housing Weldment	1	1	-	-	-
	0020923	Inner Lamp Housing Weldment	-	-	1	1	1
3	0010706	Resistor Assy., 120V	-	1	-	-	1
	0010664	Resistor Assy., 208V	1	-	1	1	-
4	0502895	Housing, Lamp	1	1	-	-	-
	0502850	Housing, Lamp	-	-	1	1	1
5	0800236	Display Rack (Optional)	1	1	-	-	-
	0500237	Display Rack (Optional)	-	-	1	1	1
6	0010704	Sliding Door Assy., Clear Glass	2	-	-	-	-
	0010705	Sliding Door Assy., Clear Glass	-	-	2	2	2
	0011133	Sliding Door Assy., Mirrored Glass (Mfg. No. 9020481 only)	-	2	-	-	-
7	0501820	Support, Center Pan	1	1	-	-	-
	0501869	Support, Center Pan	-	-	2	2	2
8	0501965	Diffuser, Water Tray	2	2	-	-	-
	0501966	Diffuser, Water Tray	-	-	2	2	2
9	0501807	Water Tray	2	2	-	-	-
	0501866	Water Tray	-	-	2	2	2
10	0502172	Heat Shield	2	2	3	3	3
11	0020744	Control Panel Weldment	1	1	-	-	-
	0020745	Control Panel Weldment	0	0	1	1	1
12	402K172	Temperature Control Display, 150°-165°F	1	-	1	-	-
	403K276	Temperature Control Display, 65°-75°C (Mfg. Nos. 9020458/468/456/466 only)	-	-	1	-	-
	7000118	Temperature Control Display, 100°-165°F	-	1	-	1	1
13	4010110	Rocker Switch, Power On/Off	1	1	1	1	1
14	0900143	Side Glass	2	2	2	2	2
15	0020702	Heat Sink Assy.	1	1	1	1	1
16	4010142	Transformer, 240V/12V	1	-	1	1	-
	4010159	Transformer, 120V/12V	-	1	-	-	1
17	405K125	Transformer, 230V/115V	1	-	1	1	-
18	4010159	Relay, Solid State	1	1	1	1	1
19	0010494	Ballast Assy., 20 Watt Lamp	1	1	-	-	-
	0010495	Ballast Assy., 30 Watt Lamp	-	-	1	1	1
20	0502045	Retainer, Glass, LH**	1	1	1	1	1
	0502044	Retainer, Glass, RH**	1	1	1	1	1
21	0020670	Top Cap Assy., LH**	1	1	1	1	1
	0020669	Top Cap Assy., RH**	1	1	1	1	1
22	2100183	Door Track, Upper	1	1	-	-	-
	2100185	Door Track, Upper	0	0	1	1	1
23	2100184	Door Track, Lower	1	1	-	-	-
	2100186	Door Track, Lower	-	-	1	1	1
24	0501946	Grill, Blower	1	1	2	2	2

* Only available in packages of 10.

** LH/RH is determined by viewing front of curved glass panel.

REPLACEMENT PARTS – DCH-20/22/30/32 (continued)



REPLACEMENT PARTS – DCH-20/22/30/32 (continued)

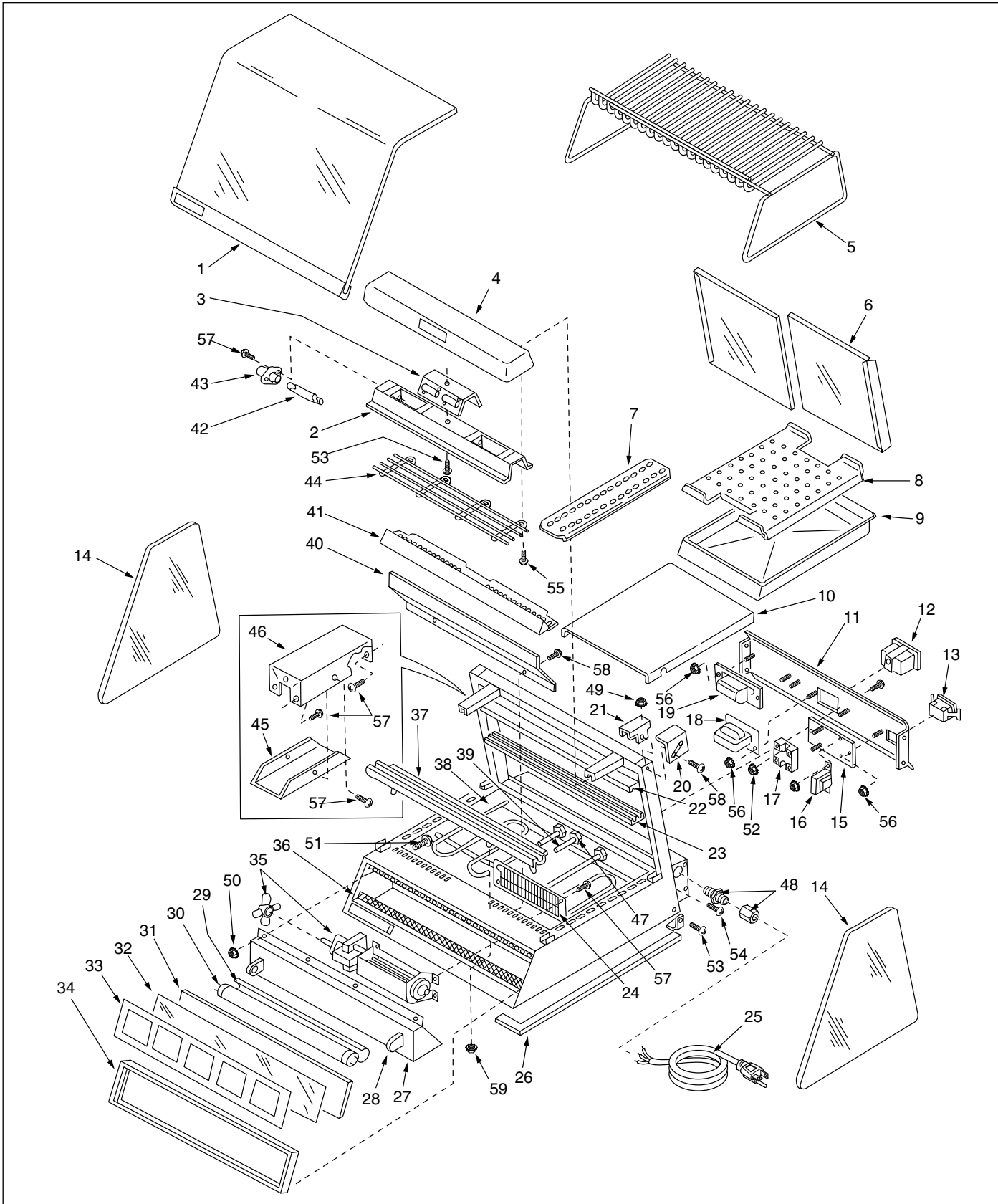
Item	Part No.	Description	Qty.				
			DCH-20	DCH-22	DCH-30	(240V) DCH-32	(120V) DCH-32
25	0700388	Power Cord w/Plug, NEMA 6-20P	1	-	1	1	-
	0700448	Power Cord w/Plug, NEMA 5-20P	-	1	-	-	1
	0700475	Power Cord w/Plug, CEE 7/7 (International only)	1	1	1	1	1
26	020K107	Gasket Kit, Bottom	1	1	-	-	-
	020K108	Gasket Kit, Bottom	-	-	1	1	1
27	0501849	Lamp, Bulkhead	1	1	-	-	-
	0501874	Lamp, Bulkhead	-	-	1	1	1
28	4060253	Fluorescent Lampholder	2	2	2	2	2
29	0502178	Reflector Bulb	1	1	-	-	-
	0502179	Reflector Bulb	-	-	1	1	1
30	4060254	Fluorescent Bulb, 20 Watt	1	1	-	-	-
	4060255	Fluorescent Bulb, 30 Watt	-	-	1	1	1
31	0900151	Diffuser Panel	1	1	-	-	-
	0900153	Diffuser Panel	-	-	1	1	1
32	0900173	Transparency Holder	1	1	-	-	-
	0900174	Transparency Holder	-	-	1	1	1
33	0900150	Display Panel	1	1	-	-	-
	0900152	Display Panel	-	-	1	1	1
34	0020673	Display Frame Weldment	1	1	-	-	-
	0020674	Display Frame Weldment	-	-	1	1	1
35	400K116	Blower Kit, 230V	1	-	2	2	-
	400K123	Blower Kit, 120V	-	1	-	-	2
36	0200154	Magnetic Strip	2	2	-	-	-
	0200155	Magnetic Strip	-	-	2	2	2
37	5040027	Base Hinge Assy.	1	1	1	1	1
38	4030239	Heating Element, 230V, 825 Watts	2	-	3	3	-
	4030278	Heating Element, 120V, 700 Watts	-	2	-	-	-
	4030304	Heating Element, 120V, 500 Watts	-	-	-	-	3
39	7000227	Thermocouple Kit	1	1	1	1	1
40	0501806	Duct, Access Cover	1	1	-	-	-
	0501865	Duct, Access Cover	0	0	1	1	1
41	0502555	Heat Deflector	1	1	-	-	-
	0502556	Heat Deflector	-	-	1	1	1
42	4060252	Lamp, Quartz Halogen, 100 Watt	2	2	2	2	2
43	4060189	Lamp Holder, Quartz	4	4	4	4	4
44	0800224	Guard, Lamp	1	1	-	-	-
	0800229	Guard, Lamp	-	-	1	1	1
45	0502866	Cover, Lamp Housing Bracket	2	2	2	2	2
46	0502865	Bracket, Lamp Housing	2	2	2	2	2
47	2040123	Connector, Male, 1/8 x 1/8	1	1	1	1	1
48	040P112*	Strain Relief w/Locknut	1	1	1	1	-
49	210P116*	Rubber Bumper Pad	1	1	1	1	-
50	306P101*	Nut, Hex, #6-32, SS	1	1	1	1	-

* Only available in packages of 10.

** LHR/RH is determined by viewing front of curved glass panel.

continued on next page

REPLACEMENT PARTS – DCH-20/22/30/32 (continued)



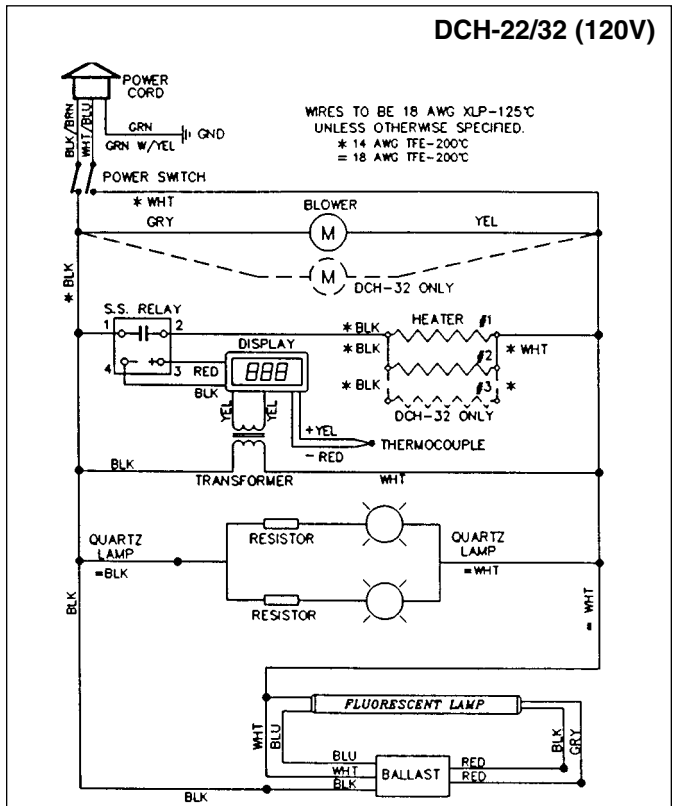
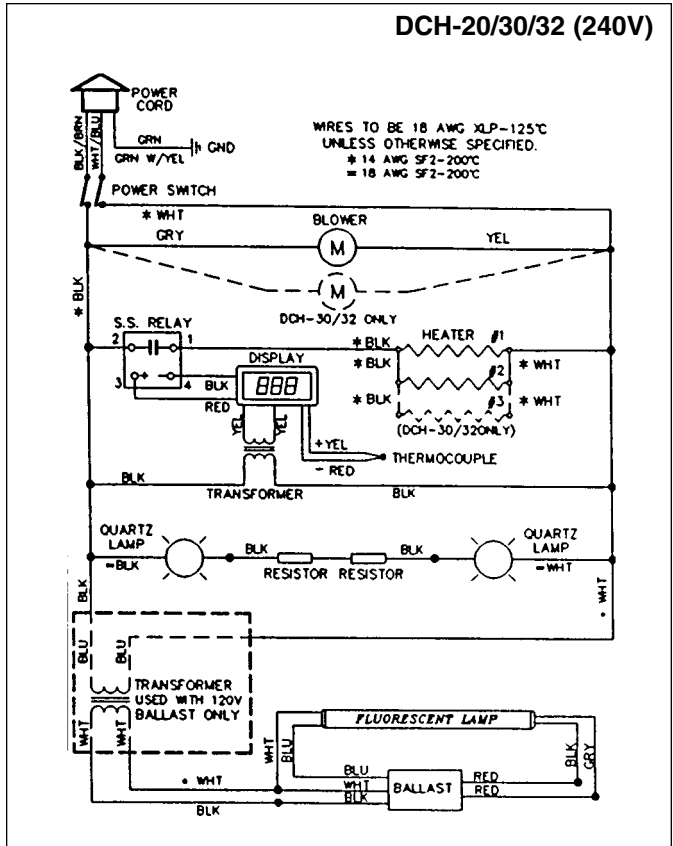
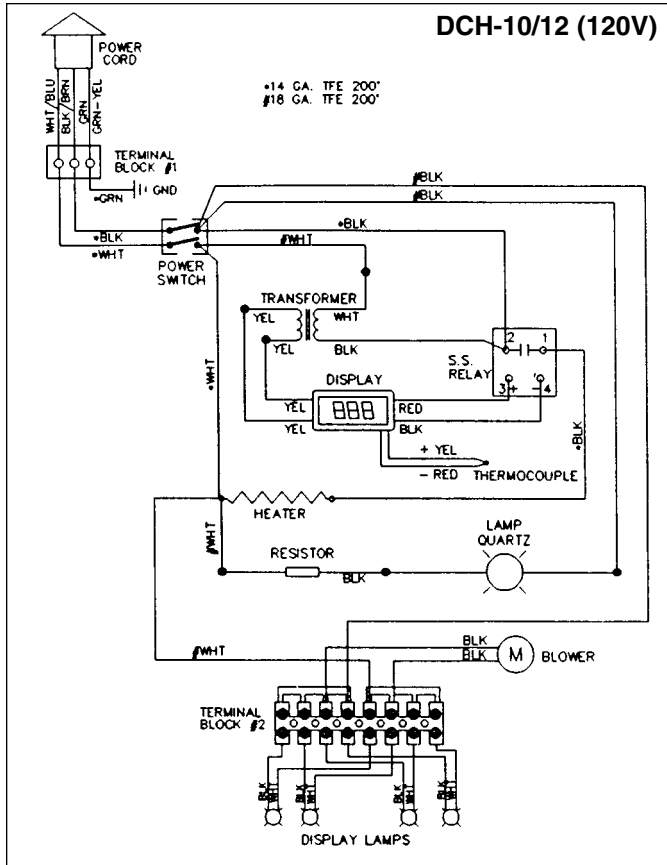
REPLACEMENT PARTS – DCH-20/22/30/32 (continued)

Item	Part No.	Description	Qty.			(240V)	(120V)
			DCH-20	DCH-22	DCH-30	DCH-32	DCH-32
51	306P105*	Screw, #6-32 x 1/2, SS	1	1	1	1	-
52	306P130*	Nut, Hex, KEPS, #6-32	1	1	1	1	-
53	308P103*	Screw, #8-32 x 1/4, One-Way	6	6	6	6	-
54	308P124*	Screw, #8-32 x 1/2, One-Way	1	1	1	1	-
55	308P127*	Screw, #8-32 x 5/16, SS	1	1	1	1	-
56	308P143*	Nut, Hex, KEPS, #8-32	1	1	1	1	-
57	308P144*	Screw, #8-32 x 1/4, #6 Head	2	2	2	2	-
58	308P159*	Thumbscrew, #8-32 x 11/32	1	1	1	1	-
59	310P146*	Nut, Hex, KEPS, #10-32	1	1	1	1	-
60	310P110*	Screw, #10-32 x 1/2, SS	4	4	4	4	-
61	310P123*	Screw, #10-24 x 1/2, SS	1	1	1	1	-
62	040P111*	Snap Bushing	2	2	2	2	-
63	308P105*	Screw, #8-32 x 1/2, SS	2	2	2	2	2

* Only available in packages of 10.

** LHRH is determined by viewing front of curved glass panel.

WIRING DIAGRAMS



LIMITED WARRANTY

Equipment manufactured by Roundup Food Equipment Division of A.J. Antunes & Co. has been constructed of the finest materials available and manufactured to high quality standards. These units are warranted to be free from mechanical and electrical defects for a period of one year from date of purchase or 18 months from shipment from factory, whichever occurs first, under normal use and service, and when installed in accordance with manufacturer's recommendations. To insure continued proper operation of the units, follow the maintenance procedure outlined in the Owner's Manual.

1. This warranty does not cover cost of installation, defects caused by improper storage or handling prior to placing of the Equipment. This warranty does not include overtime charges or work done by unauthorized service agencies or personnel. This warranty does not cover normal maintenance, calibration, or regular adjustments as specified in operating and maintenance instructions of this manual, and/or labor involved in moving adjacent objects to gain access to the Equipment. **This warranty does not pay travel, mileage, or any other charges for an authorized service agency to reach the equipment location.**
2. Roundup reserves the right to make changes in design or add any improvements on any product. The right is always reserved to modify equipment because of factors beyond our control and government regulations. Changes to update equipment do not constitute a warranty charge.
3. **If shipment is damaged in transit, the purchaser should make a claim directly upon the carrier. Careful inspection should be made of the shipment as soon as it arrives and visible damage should be noted upon the carrier's receipt. Damage should be reported to the carrier. This damage is not covered under this warranty.**
4. Warranty charges do not include freight or foreign, excise, municipal or other sales or use taxes. All such freight and taxes are the responsibility of the purchaser.
5. THIS WARRANTY IS EXCLUSIVE AND IS IN LIEU OF ALL OTHER WARRANTIES, EXPRESSED OR IMPLIED, INCLUDING ANY IMPLIED WARRANTY OR MERCHANTABILITY OR FITNESS FOR A PARTICULAR PURPOSE, EACH OF WHICH IS HEREBY EXPRESSLY DISCLAIMED. THE REMEDIES DESCRIBED ABOVE ARE EXCLUSIVE AND IN NO EVENT SHALL ROUNDUP BE LIABLE FOR SPECIAL CONSEQUENTIAL OR INCIDENTAL DAMAGES FOR THE BREACH OR DELAY IN PERFORMANCE OF THIS WARRANTY.



A.J. ANTUNES & CO.

180 Kehoe Blvd. • Carol Stream, Illinois 60188
Telephone (630) 784-1000 • FAX (630) 784-1650 • 1-877-392-7854
www.ajantunes.com