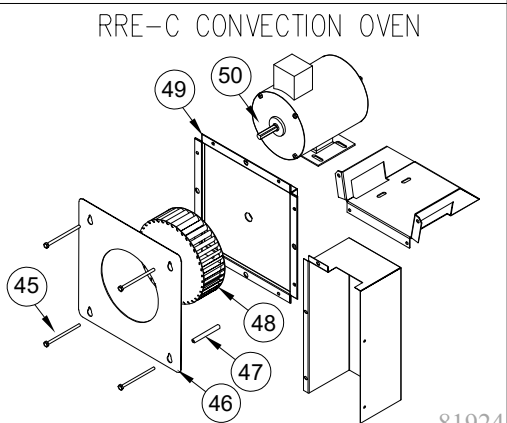
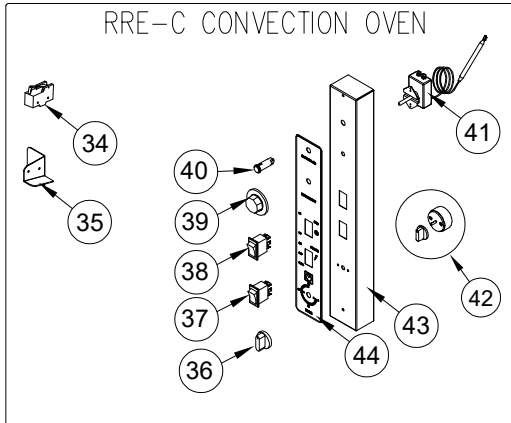
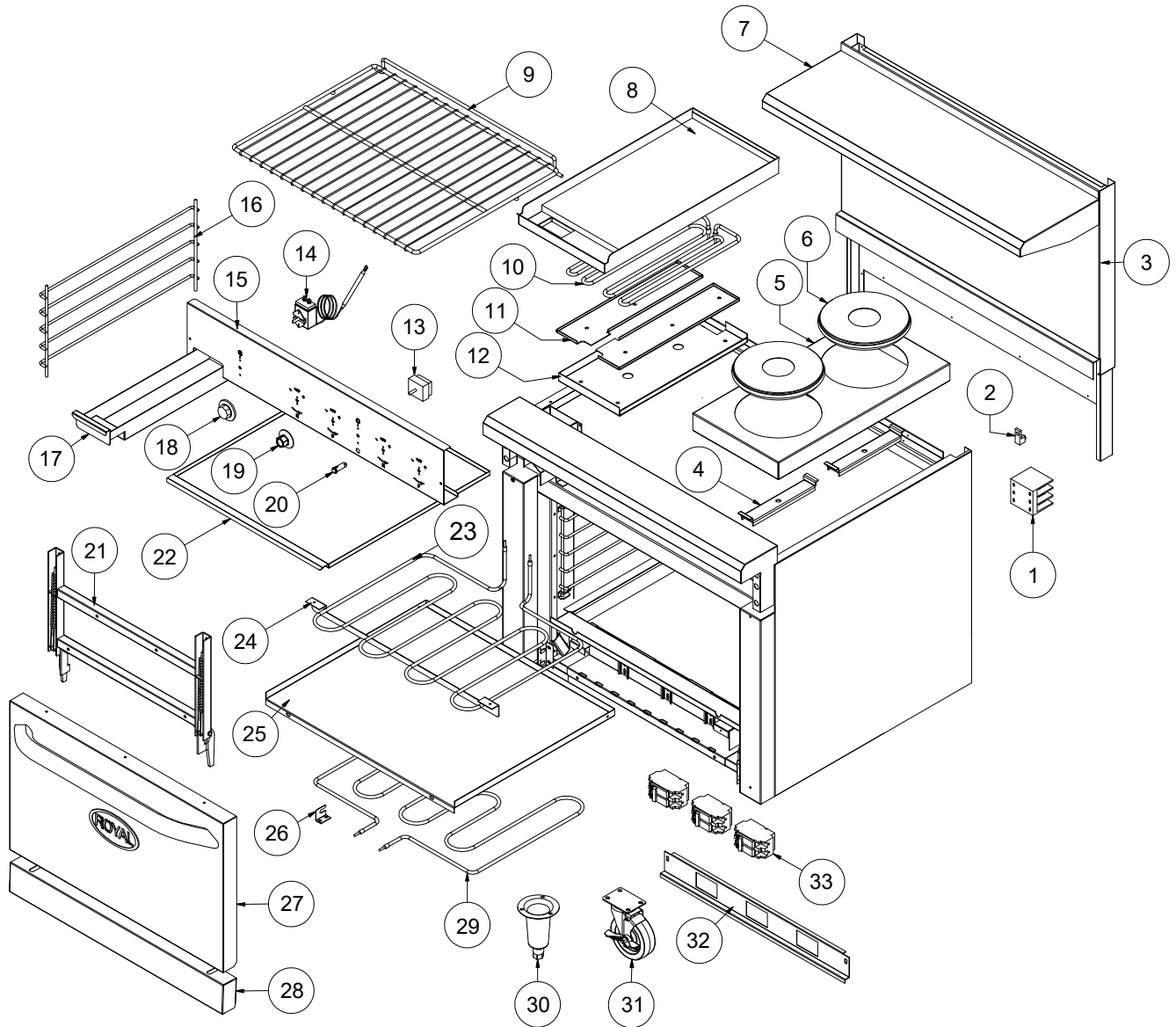
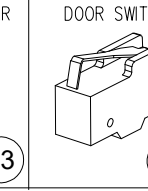
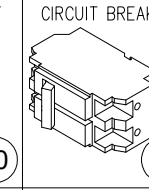
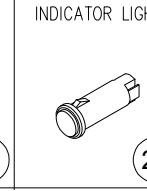
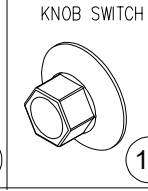
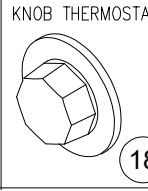
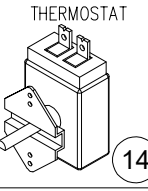
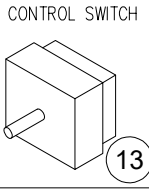
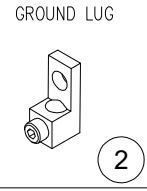
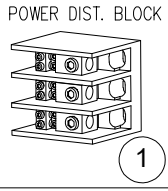


RRE & RRE-C - SERIES ELECTRIC RANGE



81924



| RR-E SERIES - ELECTRIC RANGE | | |
|------------------------------|----------|--|
| ITEM NO. | PART NO. | |
| 1 | 2584 | Power Distribution Block, 3 Pole |
| 2 | 2585 | Ground Lug |
| 3 | 34025 | 24" High front & high back assembly |
| | 34026 | 36" High front & high back assembly |
| | 34027 | 48" High front & high back assembly |
| | 34028 | 60" High front & high back assembly |
| | 34029 | 72" High front & high back assembly |
| 4 | 40495 | Bracket, Burner MTG |
| 5 | 40494 | Panel, Top Elements MTG |
| 6 | 2577 | Hot Plate Element, 208V |
| | 2578 | Hot Plate Element, 240V |
| 7 | 30131 | 24" Shelf |
| | 30148 | 36" Shelf |
| | 30169 | 48" Shelf |
| | 30190 | 60" Shelf |
| | 30211 | 72" Shelf |
| 8 | 40983 | 12" Griddle Plate Wldmt, LH |
| | 40975 | 24" Griddle Plate Wldmt, LH |
| | 40985 | 36" Griddle Plate Wldmt, LH |
| 9 | 4322 | 20" Oven Rack |
| | 3210 | 26" Oven Rack |
| 10 | 2580 | Heater Element, Griddle, 208V |
| | 2581 | Heater Element, Griddle, 240V |
| 11 | 41249 | Plate LH, Griddle Element |
| | 41250 | Plate RH, Griddle Element |
| 12 | 41251 | Cover, Griddle Element |
| 13 | 2574 | Infinite Control Switch, 208V |
| | 2575 | Infinite Control Switch, 240V |
| 14 | 2579 | Thermostat |
| 15 | - | Control Panel, Model Specific, Contact Factory |
| 16 | 3200 | Rack Guide, sides |
| 17 | 30406 | Grease Can Wldmt |
| 18 | 2597 | Knob, Thermostat |
| 19 | 2576 | Knob, Infinite Swith |
| 20 | 2595 | Indicator Light, Red |
| 21 | 30013 | Door frame assy. (20" oven) |
| | 30043 | Door frame assy. (26 1/2" oven) |
| | 30057 | Door frame Assy, Convection oven. |
| 22 | 30476 | 12" Crumb Tray, Hot plate |
| | 30008 | 24" Crumb Tray, Hot plate |
| | 30039 | 36" Crumb Tray, Hot plate |
| 23 | 2570 | Heater Element, Oven Top, 208V |
| | 2572 | Heater Element, Oven Top, 240V |
| 24 | 40522 | Top Oven Element MTG |

| RR-E SERIES - ELECTRIC RANGE | | |
|------------------------------|----------|--|
| ITEM NO. | PART NO. | |
| 25 | 30041 | Oven Bottom |
| 26 | 40493 | Bracket Heater MTG |
| 27 | 30132 | 24" Oven door (complete) |
| | 30159 | 36" Oven door (complete) |
| | 30058 | Convection Oven Door (complete) |
| 28 | 30009 | 24" Kick plate |
| | 30045 | 36" Kick plate |
| 29 | 2571 | Heater Element, Oven Bottom, 208V |
| | 2573 | Heater Element, Oven Bottom, 240V |
| 30 | 1219 | Cone Leg |
| 31 | 2192 | Caster, Swivel Plate, without break |
| | 2193 | Caster, Swivel Plate, with break |
| 32 | 32976 | Cover, Circuit Breaker RRE-36 |
| 33 | 2589 | Circuit Breaker, 2 Pole |
| 34 | 2539 | Switch, Oven Door |
| 35 | 30734 | Door Switch Bracket |
| 36 | 3098 | Timer knob |
| 37 | 2526 | Switch, Power—3 Position |
| 38 | 2525 | Switch, Oven Fan High/Low |
| 39 | 2523 | Thermostat Dial |
| 40 | 2522 | Indicator Light |
| 41 | 2579 | Thermostat |
| 42 | 2527 | Manual timer & timer knob |
| 43 | 30725 | Control Panel R/H For 36" Range |
| 44 | 2470 | Control Panel Decal |
| 45 | 2507 | Hex Head Bolt (1/4-20 X 4) |
| 46 | 30721 | Blower Baffle |
| 47 | 2505 | Blower Spacer Tube |
| 48 | 2503 | Blower Wheel RR-C |
| 49 | 30602 | Motor Mount Weld Plate Assy. |
| 50 | 5860 | Motor |