

# **AF1D Parts List**

## **Table of Contents**

**Cabinet**

**Refrigeration**

**Water and Drainage**

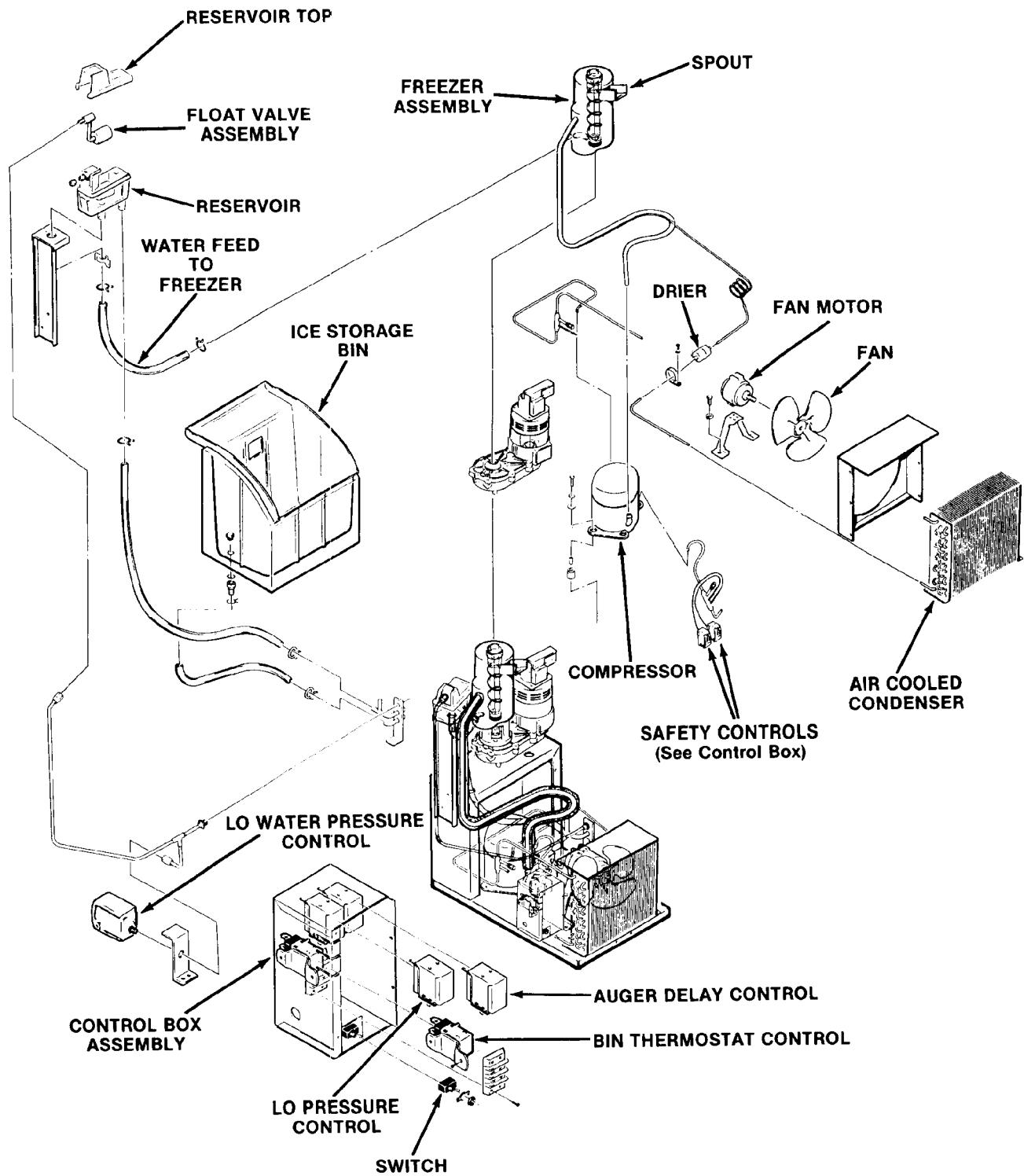
**Freezer**

**Gear Motor**

**Control Box**

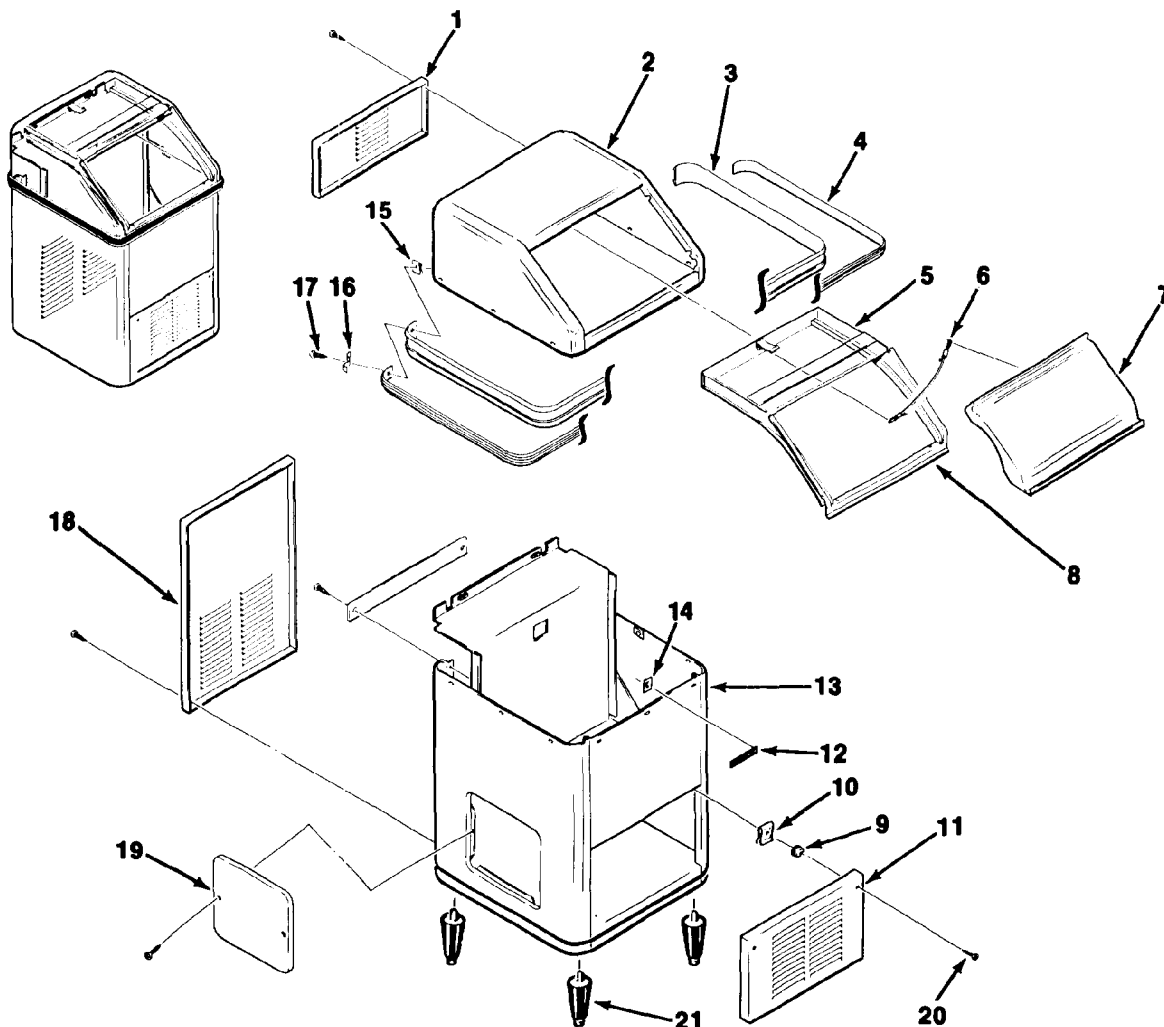
**Wiring Diagrams**

# AF1 THE PARTS ILLUSTRATIONS AND PARTS LISTS



AF1 Flaked Icemaker  
Component Location

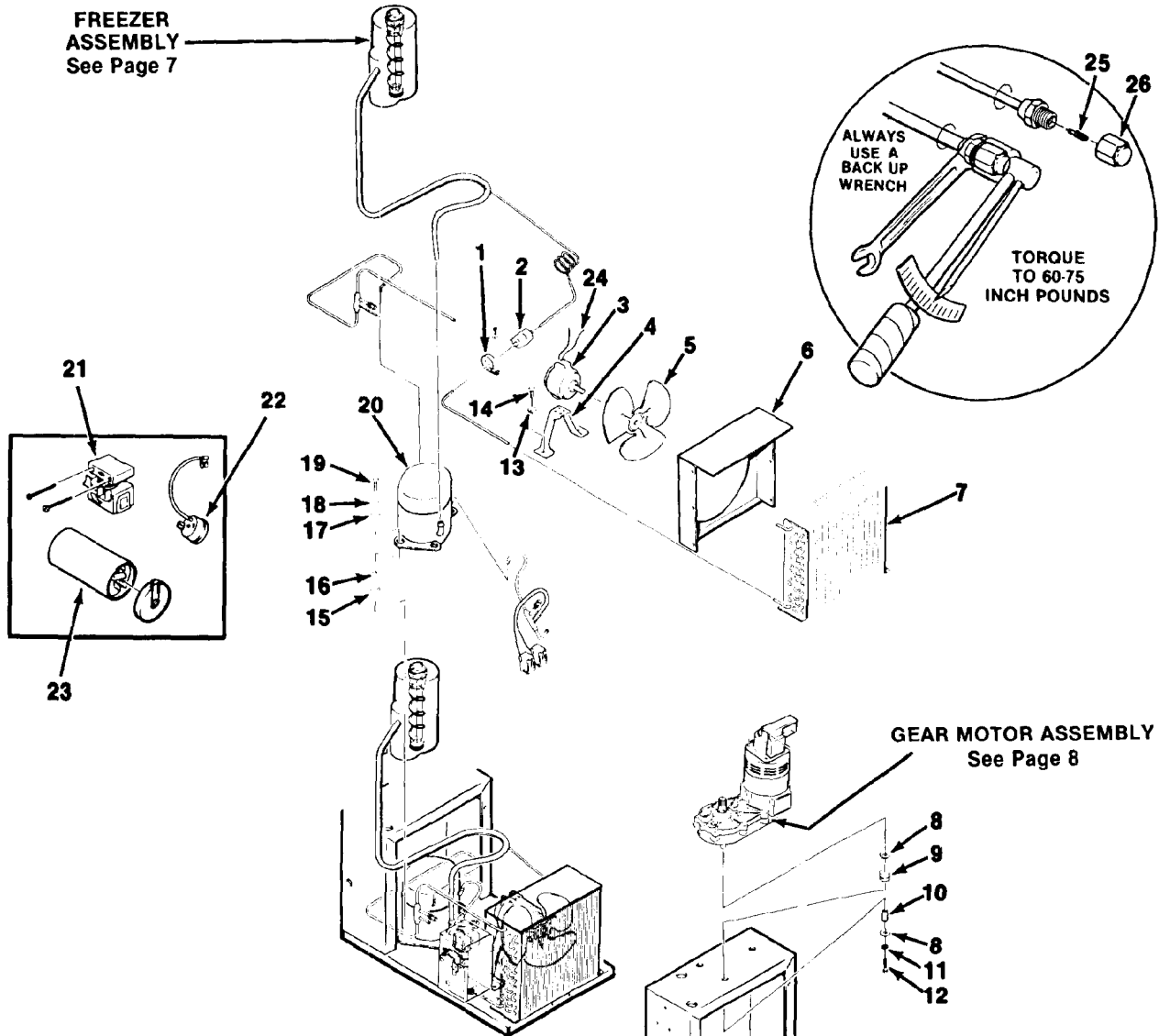
# AF1 THE PARTS ILLUSTRATIONS AND PARTS LISTS



## CABINET ASSEMBLY

ITEM NUMBER	PART NUMBER	DESCRIPTION			
			11	A24427-003	Front Door Assembly (Enamel)
				A24427-002	Front Door Assembly (Stainless Steel)
1	A25325-003	Hood Panel, Rear (Enamel)	12	15-0718-00	Scotsman Emblem
	A25325-002	Hood Panel, Rear (Stainless Steel)	13	A25847-003	Case Assembly (Enamel)
2	A24429-003	Hood Assembly (Enamel)		A25847-002	Case Assembly (Stainless Steel)
	A24429-002	Hood Assembly (Stainless Steel)	14	03-0271-00	Push Nut (2)
3	A25342-001	Moulding Strip (Enamel)	15	03-1507-00	Speed Nut
4	15-0324-00	Plastic Insert, per foot (7')	16	S08983-000	Clip (2)
5	A16208-000	Door Track	17	03-1419-07	Screw
6	02-1736-00	Door Lanyard	18	A25326-003	Case Panel, Rear (Enamel)
7	02-1735-01	Door Access (Enamel)		A25326-002	Case Panel, Rear (Stainless Steel)
	02-1735-02	Door Access (Stainless Steel)	19	A07676-006	Service Door (Enamel)
8	03-1195-00	Hood Guide (3)		A07676-00S	Service Door (Stainless Steel)
9	13-0113-00	Door Grommet (2)	20	03-1419-09	Screw
10	03-1423-06	Speed Nut (2)	21	KLP2E	Enamel
				KLP2S	Stainless Steel

# AF1 THE PARTS ILLUSTRATIONS AND PARTS LISTS



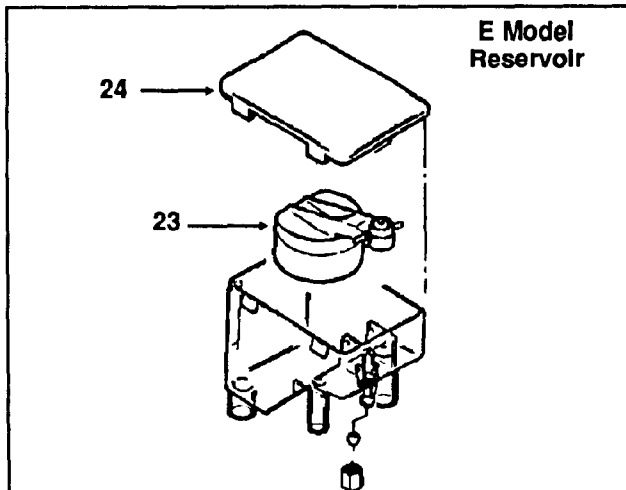
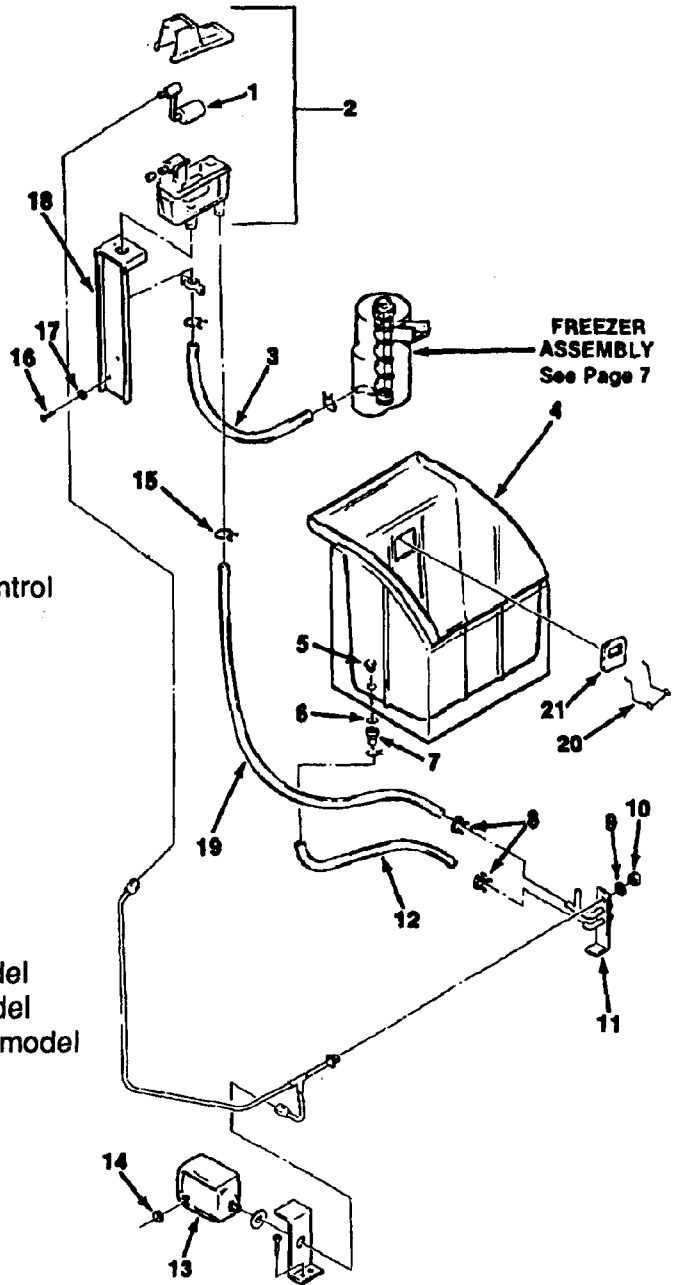
## REFRIGERATION ASSEMBLY

ITEM NUMBER	PART NUMBER	DESCRIPTION
1	A09386-000	Drier Brace
2	02-2426-01	Drier
3	12-1575-01	Fan Motor
4	18-0422-00	Fan Motor Mount
5	18-0231-00	Fan Blade
6	02-2563-01	Shroud
7	18-0140-00	Condenser
8	03-1403-02	Washer
9	13-0639-00	Grommet
10	A24925-001	Spacer
11	03-1410-03	Washer
12	03-1405-45	Screw
13	03-1417-09	Lockwasher
14	03-0574-00	Screw
15	18-4700-28	Mounting Grommet
16	18-0108-41	Mounting Sleeve
17	03-1408-29	Washer
18	03-1410-04	Lockwasher
19	03-1405-20	Screw
20	18-4700-51	Compressor
21	18-4700-53	Compressor Relay
22	18-4700-52	Compressor Overload
23	18-4700-54	Compressor Start Capacitor
24	12-1573-07	Fan Motor Wire
25	16-0560-00	Valve Core
26	16-0563-00	Valve Cap

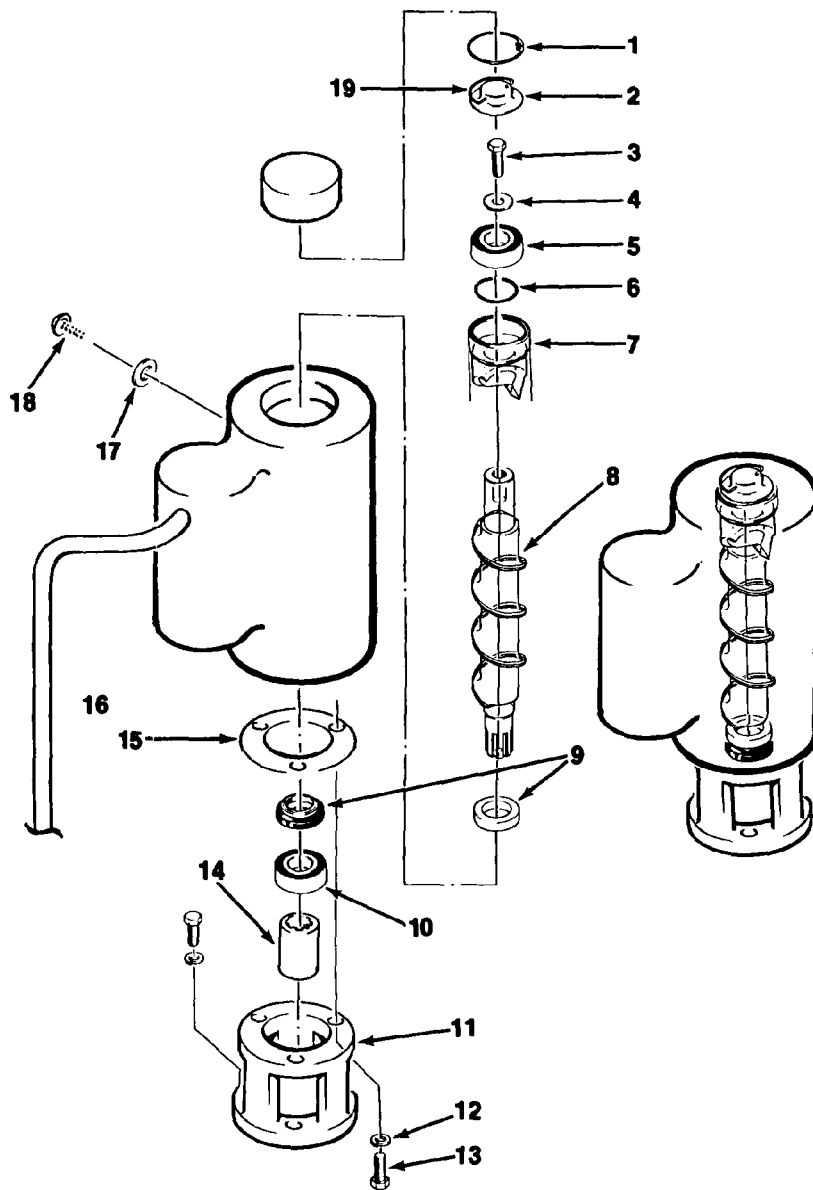
# AF1 SERVICE PARTS

## WATER AND DRAIN SYSTEM

Item Number	Part Number	Description
1	02-2217-02	A-D model float
2	02-2217-01	A-D model Reservoir
3	13-0674-09	Water Tube 8"
4	02-2763-02	Storage Bin
5	02-1751-00	Drain Fitting
6	13-0617-36	O-Ring
7	02-1957-01	Drain Tube
8	02-1338-00	Clamp
9	03-1409-04	Washer
10	03-1394-00	Nut
11	no number	Water Ser. Bracket
12	13-0079-01	Tube 6"
13	11-0296-00	Lo water pressure control
14	12-1213-10	Snap Bushing
15	02-0534-00	Clamp
16	03-0571-00	Screw
17	03-1417-09	Lockwasher
18	no number	Mounting Bracket
19	13-0079-03	Hose, 30"
20	03-1415-00	Bulb holder
21	13-0779-00	Spout Grommet
22	A24180-001	Bin stat insul. (not illustrated)
23	A32922-020	Float Assy. for E model
24	02-2936-01	Res. Cover for E model
25	A32929-020	Res. Assembly for E model



# AF1 THE PARTS ILLUSTRATIONS AND PARTS LISTS

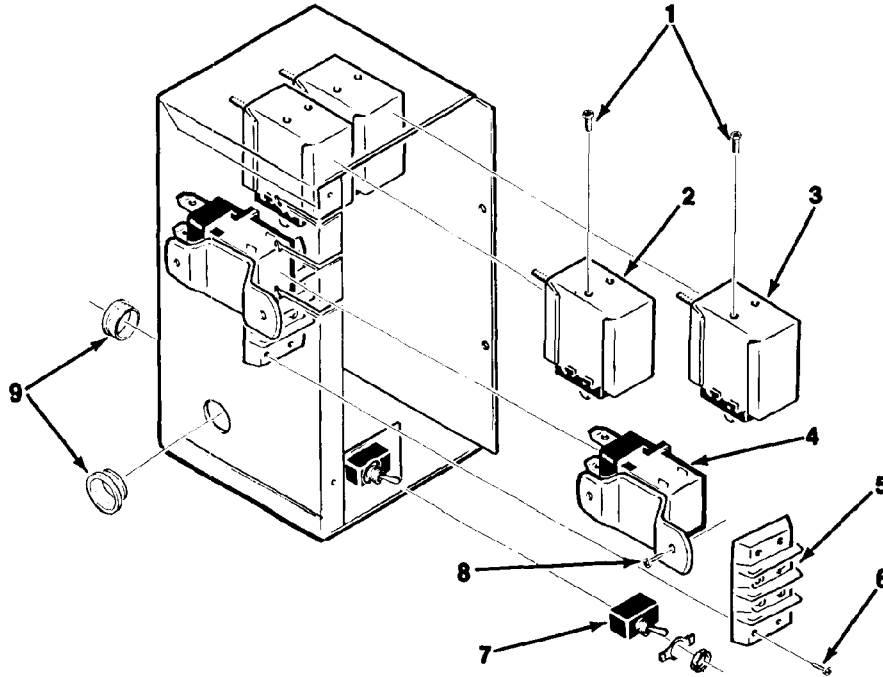


## FREEZER ASSEMBLY

ITEM NUMBER	PART NUMBER	DESCRIPTION			
1	03-1558-03	Retaining Ring	9	02-1300-01	Water Seal
2	A07701-000	Freezer Cap	10	02-0417-00	Bearing
3	03-0758-00	Screw	11	08-0595-01	Adapter
4	A07699-000	Washer	12	03-1410-04	Washer
5	02-0547-00	Bearing	13	03-1420-01	Hex Cap Screw
6	13-0617-16	O-ring	14	A29915-002	Spline Coupling
7	A26706-001	Ice Breaker Assembly, Includes Items 5-6-7	15	13-0628-00	Gasket
8	A29480-001	Auger	16	A29359-020	Evaporator Shell Includes Suction Line Assembly
			17	03-1417-07	Washer
			18	03-1403-46	Pan Head Machine Screw, Phillips Recess
			19	A08162-000	Cap Hook



# AF1 THE PARTS ILLUSTRATIONS AND PARTS LISTS

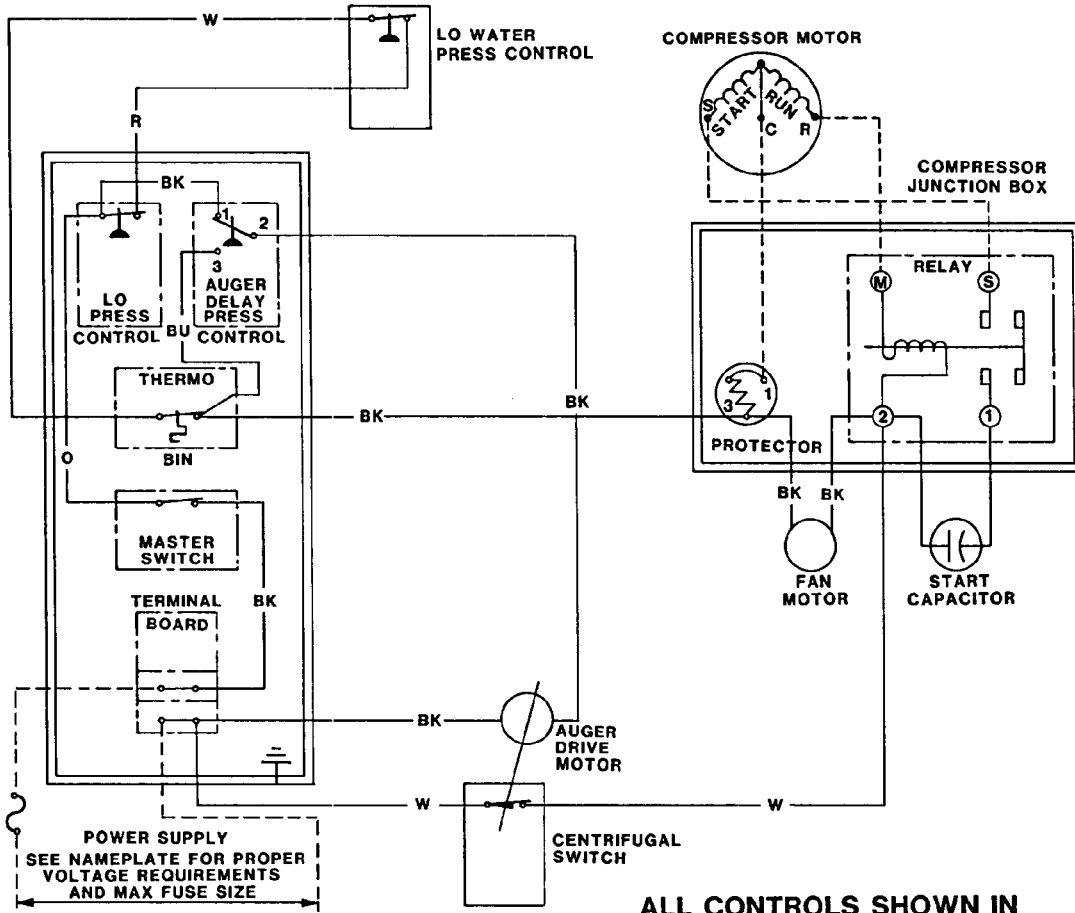


## CONTROL BOX ASSEMBLY

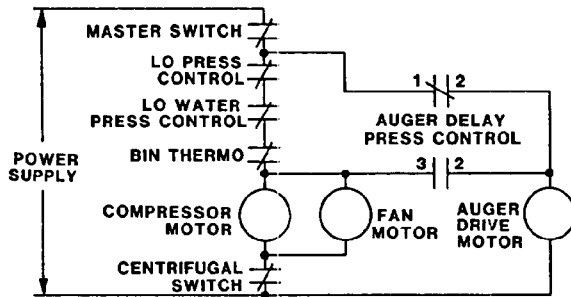
ITEM NUMBER	PART NUMBER	DESCRIPTION
1	03-1403-02	Pan Head Machine Screw, Phillips Recess
2	11-0420-01	Automatic Lo Pressure Control
3	11-0402-01	Auger Delay Control
4	11-0354-00	Bin Thermostat
5	12-0813-04	Terminal Board
6	03-1403-31	Pan Head Machine Screw, Phillips Recess
7	12-0426-01	Master Switch
8	03-1403-17	Pan Head Machine Screw, Phillips Recess
9	12-1213-10	Snap Bushing



# AF1 THE PARTS ILLUSTRATIONS AND PARTS LISTS



ALL CONTROLS SHOWN IN  
NORMAL ICE MAKING MODE



**A30988-001**

**USE COPPER  
CONDUCTORS ONLY  
THIS UNIT MUST  
BE GROUNDED**

Wiring Diagram — AF1A-D (115/60/1) Air-Cooled