

CM250 Parts List

Table of Contents

Cabinet Exterior

Cabinet Interior

Air Cooled Refrigeration

Water Cooled Refrigeration

Water System

Control Box

Wiring Diagrams

CM250 THE PARTS ILLUSTRATIONS AND PARTS LISTS

GENERAL

This section contains the Parts Illustrations and the Parts List for each of the major assemblies in the CM250 Modular Cuber.

A *No Number* designation, when used in the Part Number Column indicates the unit is not available from SCOTSMAN as an assembly. This designation is used only for the convenience and clarity of division in cataloging.

HOW TO ORDER PARTS OR ASSEMBLIES

When ordering parts or assemblies, to avoid costly delays and errors in shipment, give the part number, the complete description shown in the list, and the quantities of each part or assembly required. Also include the model name, the serial number of the icemaker for which the part is required and for parts which require color matching, the color of the cabinet.

All part numbers have TEN DIGITS (spaces), required for use in the Computer System. BE SURE to fill in ALL SPACES in the CATALOG NUMBER column, on the parts order form.

Enter the QUANTITY of the parts ordered, in the last digit column under the QUANTITY column heading, the one under the small 55 number, for parts from 1 thru 9. For 10 or more parts use two columns.

CM250's were manufactured in "A", "C", "D" and "E" models. This parts list is good for all models. **You must check the units complete model number to be certain of obtaining the correct parts.**

WIRING DIAGRAMS

This section is provided as an aid in understanding the electrical circuitry of the CM250 Modular Cuber.

//////////////////// **WARNING** //////////////////////

When conducting a continuity check of the modular cuber:

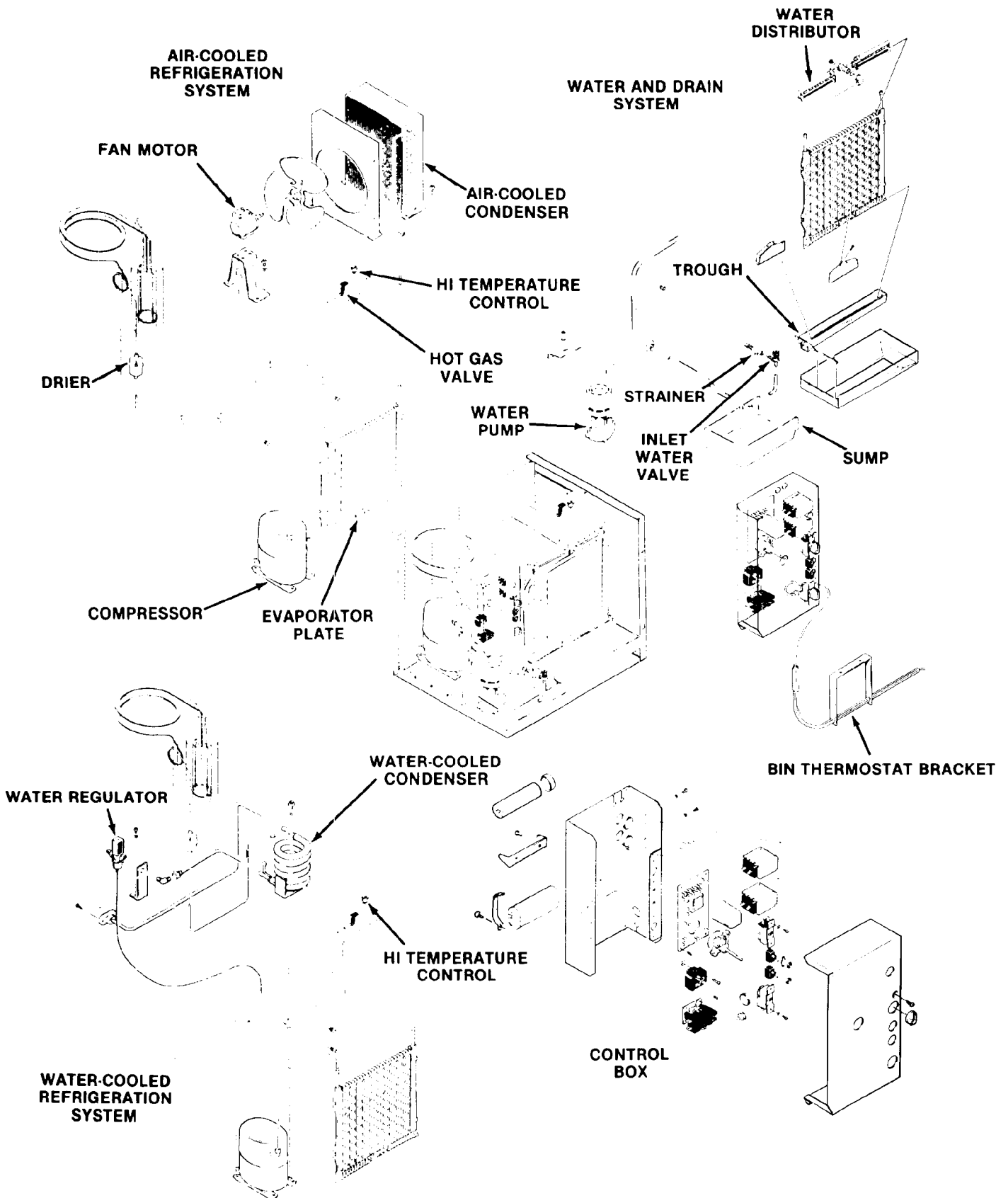
1. Disconnect the main power source.
2. DO NOT use an incandescent lamp or jumper wire, conduct all tests with a volt-ohm-meter.

////////////////////////////////////

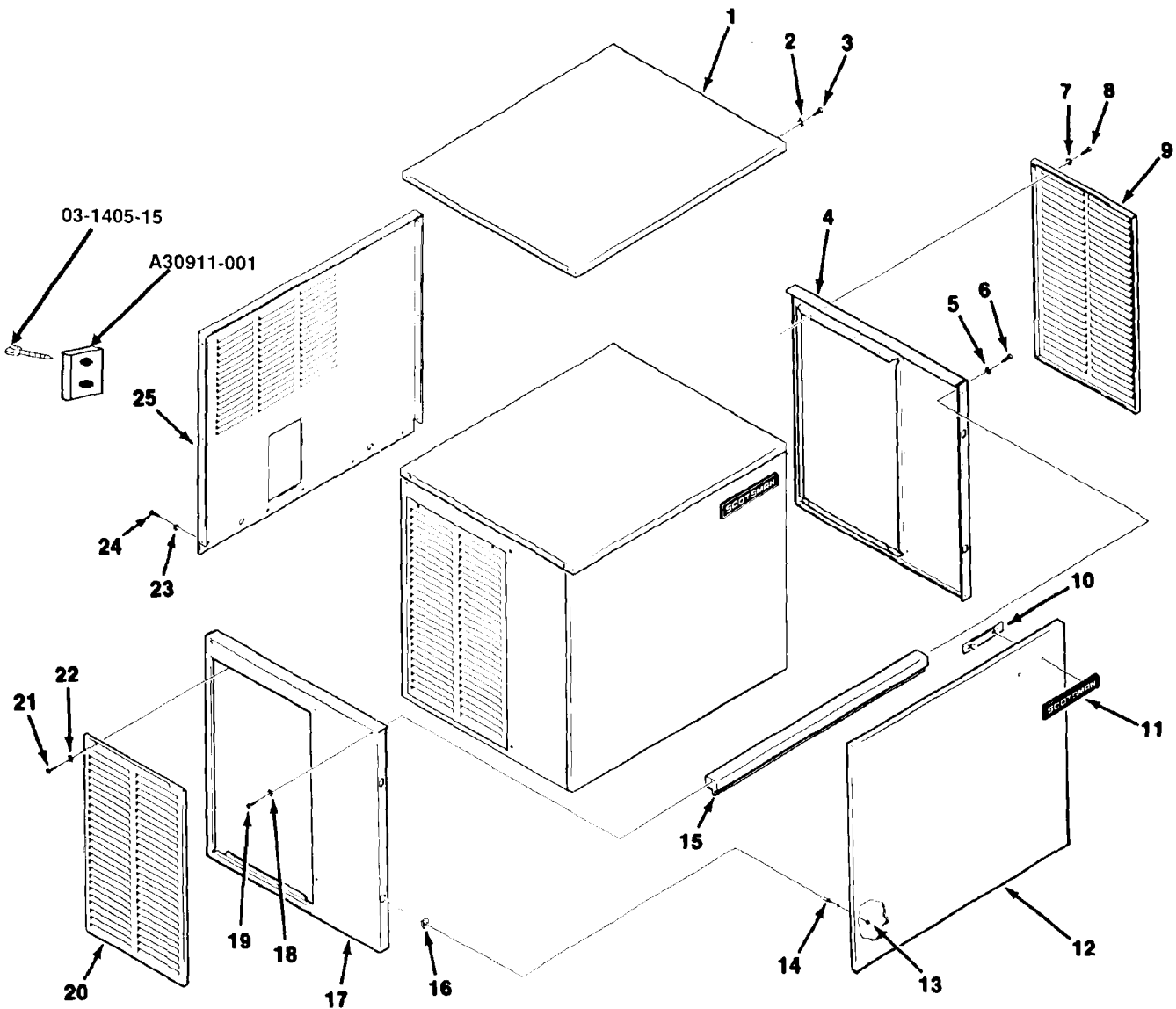
The wiring diagrams in this Section are:

- CM250AE-1C (115/60/1) Air Cooled
- CM250WE-1C (115/60/1) Water Cooled
- CM250AE-1D (115/60/1) Air Cooled
- CM250WE-1D (115/60/1) Water Cooled
- CM250AE-1E (115/60/1) Air Cooled
- CM250WE-1E (115/60/1) Water Cooled

CM250 THE PARTS ILLUSTRATIONS AND PARTS LISTS



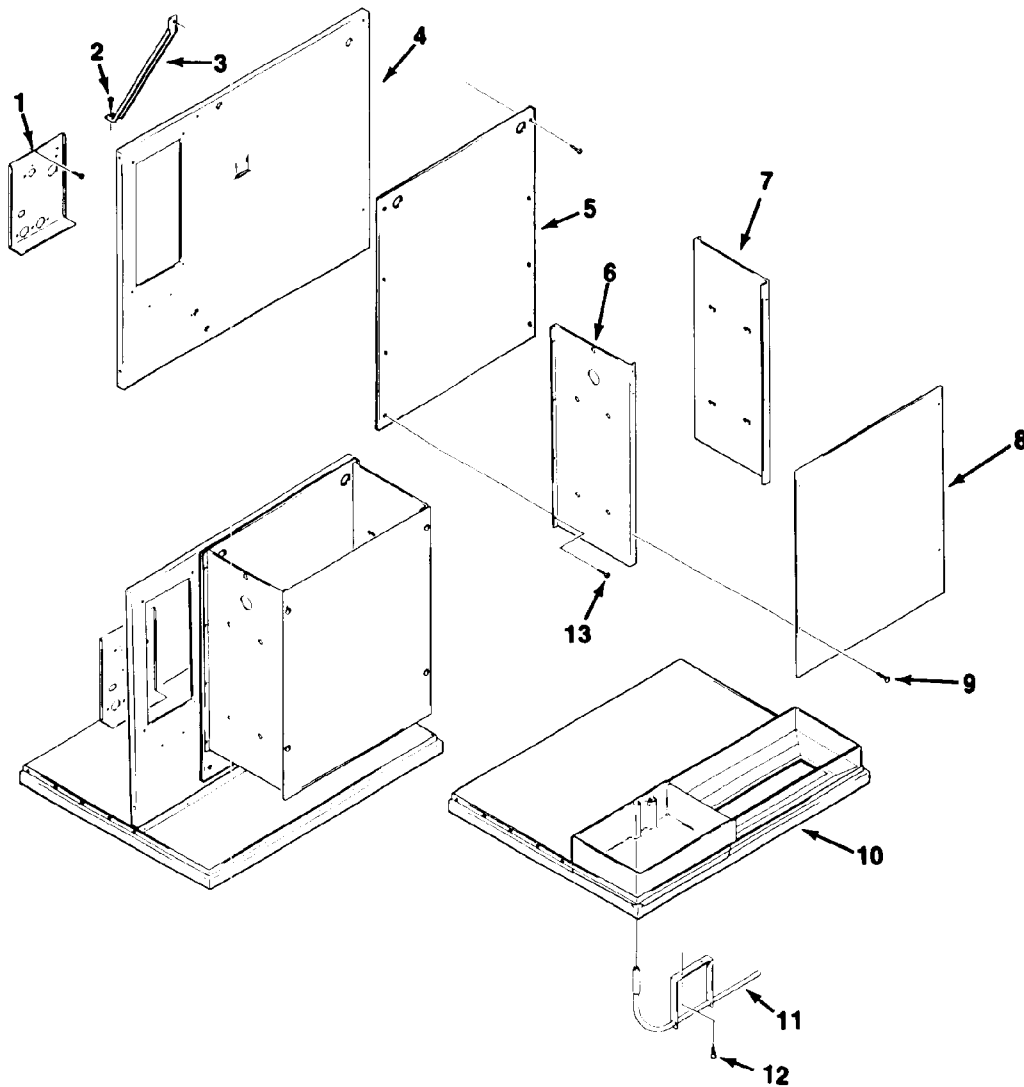
CM250 THE PARTS ILLUSTRATIONS AND PARTS LISTS



CABINET ASSEMBLY (PART I)

| ITEM NUMBER | PART NUMBER | | DESCRIPTION | ITEM NUMBER | PART NUMBER | | DESCRIPTION |
|-------------|-------------|------------|------------------------------------|-------------|-------------|------------|-----------------------------------|
| | "A" & "C" | "D" & "E" | | | "A" & "C" | "D" & "E" | |
| 1 | A31045-001 | A32159-001 | Top Panel, Enamel | 13 | 03-1406-04 | Same | Nut, #8-32 |
| | A31045-002 | A32159-002 | Top Panel, Stainless Steel | 14 | 15-0411-00 | Same | Strike |
| 2 | 03-1417-03 | Same | Lockwasher | 15 | No Number | A32169-001 | Front Support |
| 3 | 03-1531-01 | Same | Screw, #8-32 | 16 | 02-0836-00 | Same | Cabinet Catch |
| 4 | A31044-001 | A32162-001 | End Panel (Right), Enamel | 17 | A31043-001 | A32163-001 | End Panel (Left), Enamel |
| | A31044-002 | A32162-002 | End Panel (Right), Stainless Steel | | A31043-002 | A32163-002 | End Panel (Left), Stainless Steel |
| 5 | 03-1417-03 | Same | Lockwasher | 18 | 03-1417-03 | Same | Lockwasher |
| 6 | 03-1531-01 | Same | Screw | 19 | 03-1531-01 | Same | Screw |
| 7 | 03-1417-03 | Same | Lockwasher | 20 | A31242-001 | A32161-001 | Service Panel, Enamel |
| 8 | 03-1404-12 | Same | Screw | | A31242-002 | A32161-002 | Service Panel, Stainless Steel |
| 9 | A31242-001 | A32161-001 | Service Panel, Enamel | 21 | 03-1404-12 | Same | Screw, #8-32 |
| | A31242-002 | A32161-002 | Service Panel, Stainless Steel | 22 | 03-1412-03 | Same | Lockwasher |
| 10 | 03-0271-00 | Same | Speed Nut | 23 | 03-1417-03 | Same | Lockwasher |
| 11 | 15-0711-00 | Same | Emblem | 24 | 03-1531-01 | Same | Screw |
| 12 | A30900-001 | A32160-001 | Front Panel, Enamel | 25 | A31048-001 | A32202-001 | Back Panel, F.A. |
| | A30900-002 | A32160-002 | Front Panel, Stainless Steel | | | | |

CM250 THE PARTS ILLUSTRATIONS AND PARTS LISTS

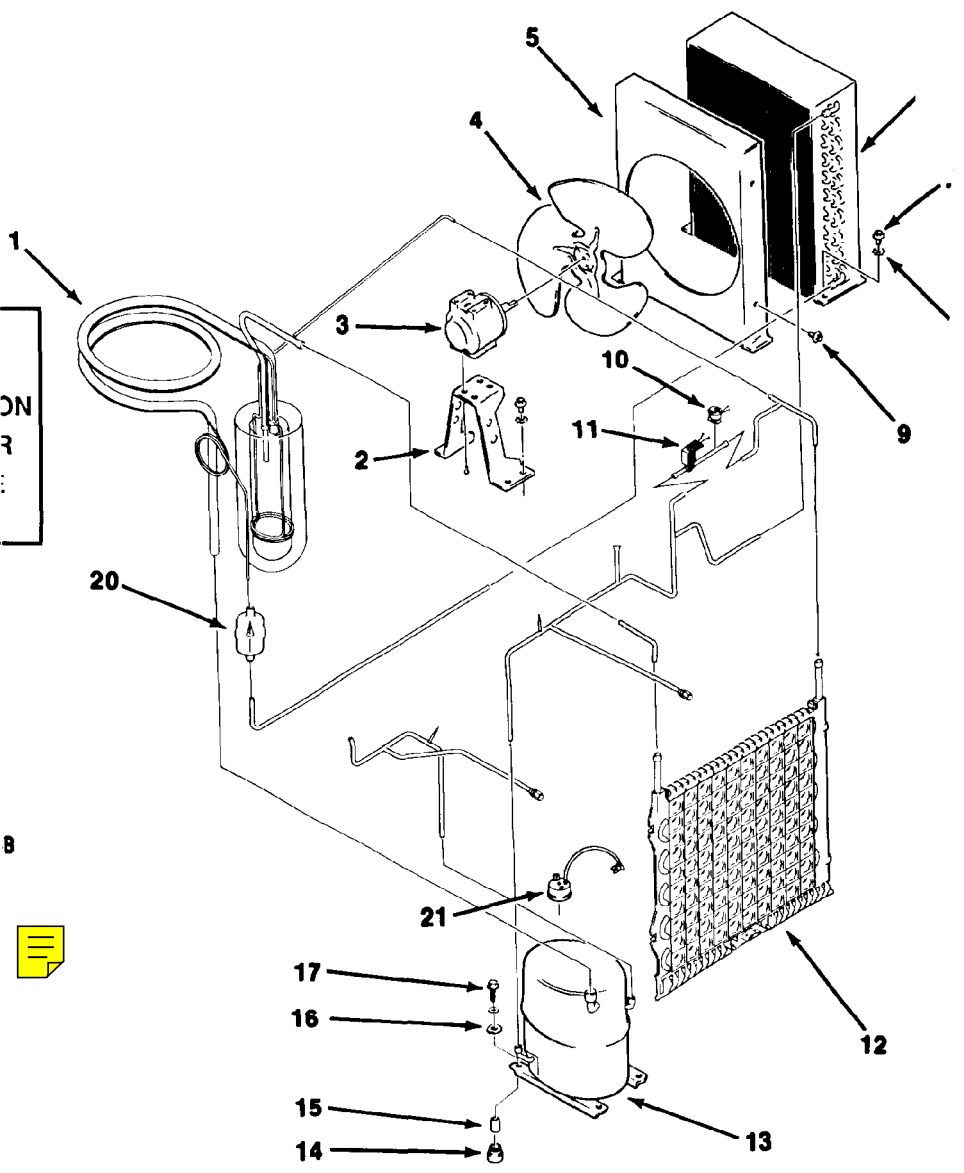
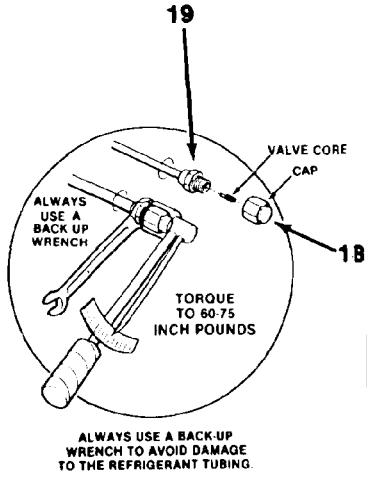


CABINET ASSEMBLY (PART II)

| ITEM NUMBER | PART NUMBER | DESCRIPTION |
|-------------|----------------------------|----------------------------|
| | "A" & "C" "D" & "E" | |
| 1 | A30398-001 A32166-001 | Junction Box Bracket |
| 2 | | Screw |
| 3 | A30906-001 A32210-001 | Support Brace |
| 4 | A31151-001 A32157-001 | Retainer F.A. |
| 5 | 02-2810-01 02-2867-01 | Splash Panel |
| 6 | A30895-001 A32172-001 | Evaporator Bracket (Right) |
| 7 | A30896-001 A32173-001 | Evaporator Bracket (Left) |
| 8 | A30897-001 A32165-001 | Evaporator Plate Cover |
| 9 | 03-0727-09 Same | Thumbscrew |
| 10 | A30894-001 A32153-001 | Base |
| 11 | A30959-001 A32262-001 | Bin Thermostat Bracket |
| 12 | 03-0727-05 03-0727-09 | Thumbscrew |
| 13 | | Screw |

CM250 THE PARTS ILLUSTRATIONS AND PARTS LISTS

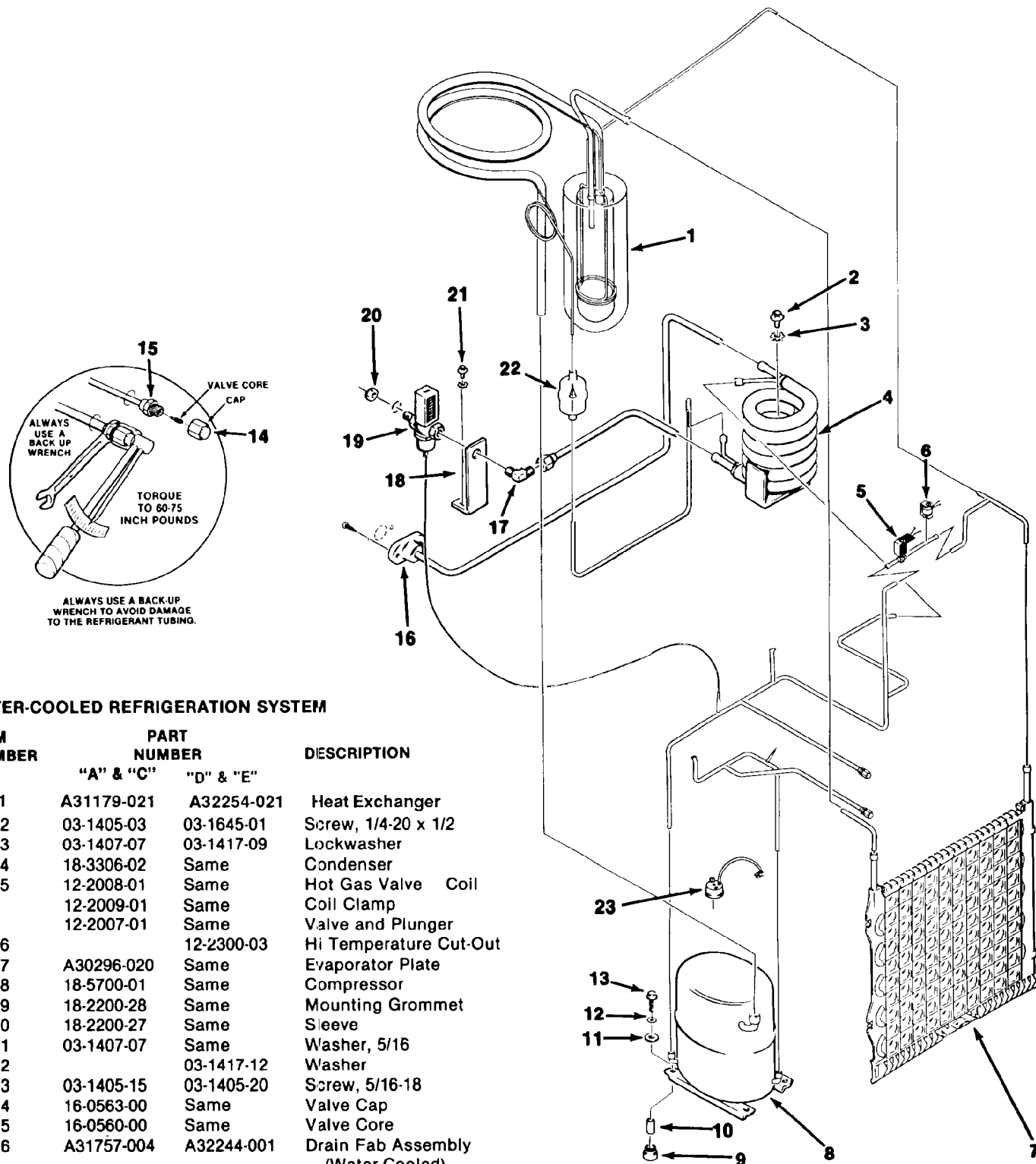
| CM250 "E" MODEL | | |
|-----------------|-------------|-------------|
| ITEM NUMBER | PART NUMBER | DESCRIPTION |
| 3. | 18-7200-01 | FAN MOTOR |
| 4 | 18-7201-01 | FAN BLADE |
| 5 | A33215-001 | SHROUD |



AIR-COOLED REFRIGERATION SYSTEM

| ITEM NUMBER | PART NUMBER | | DESCRIPTION | ITEM NUMBER | PART NUMBER | | DESCRIPTION |
|-------------|-------------|--------------|------------------------|-------------|-------------|------------|---------------------|
| | "A" & "C" | "D" & "E" | | | "A" & "C" | "D" & "E" | |
| 1 | A31179-021 | A32254-021 | Heat Exchanger | 12 | A30296-020 | Same | Evaporator Plate |
| 2 | 18-3739-01 | Same | Motor Mount | 13 | 18-5700-01 | Same | Compressor |
| 3 | 18-5105-11 | Same, expt E | Fan Motor | 14 | 18-2200-28 | Same | Mounting Grommet |
| 4 | 18-3732-01 | Same, expt E | Fan Blade | 15 | 18-2200-27 | Same | Sleeve |
| 5 | A23929-001 | A32171-001 | Shroud (not for "E") | 16 | 03-1407-07 | Same | Washer, 5/16 |
| 6 | 18-0398-01 | 18-0398-01 | Condenser | 17 | 03-1405-15 | 03-1405-20 | Screw |
| 7 | 03-1405-03 | 03-1645-01 | Screw, 1/4-20 x 1/2 | 18 | 16-0563-00 | Same | Valve Cap |
| 8 | 03-1410-03 | Same | Lockwasher | 19 | 16-0560-00 | Same | Valve Core |
| 9 | 03-1404-29 | Same | Screw, #8-32 | 20 | 02-2426-02 | Same | Drier Filter |
| 10 | 12-2300-03 | Same | Hi Temperature Cut-out | 21 | 18-5700-50 | Same | Overload Compressor |
| 11 | 12-2008-01 | Same | Hot Gas Solenoid Coil | | | | |

CM250 THE PARTS ILLUSTRATIONS AND PARTS LISTS

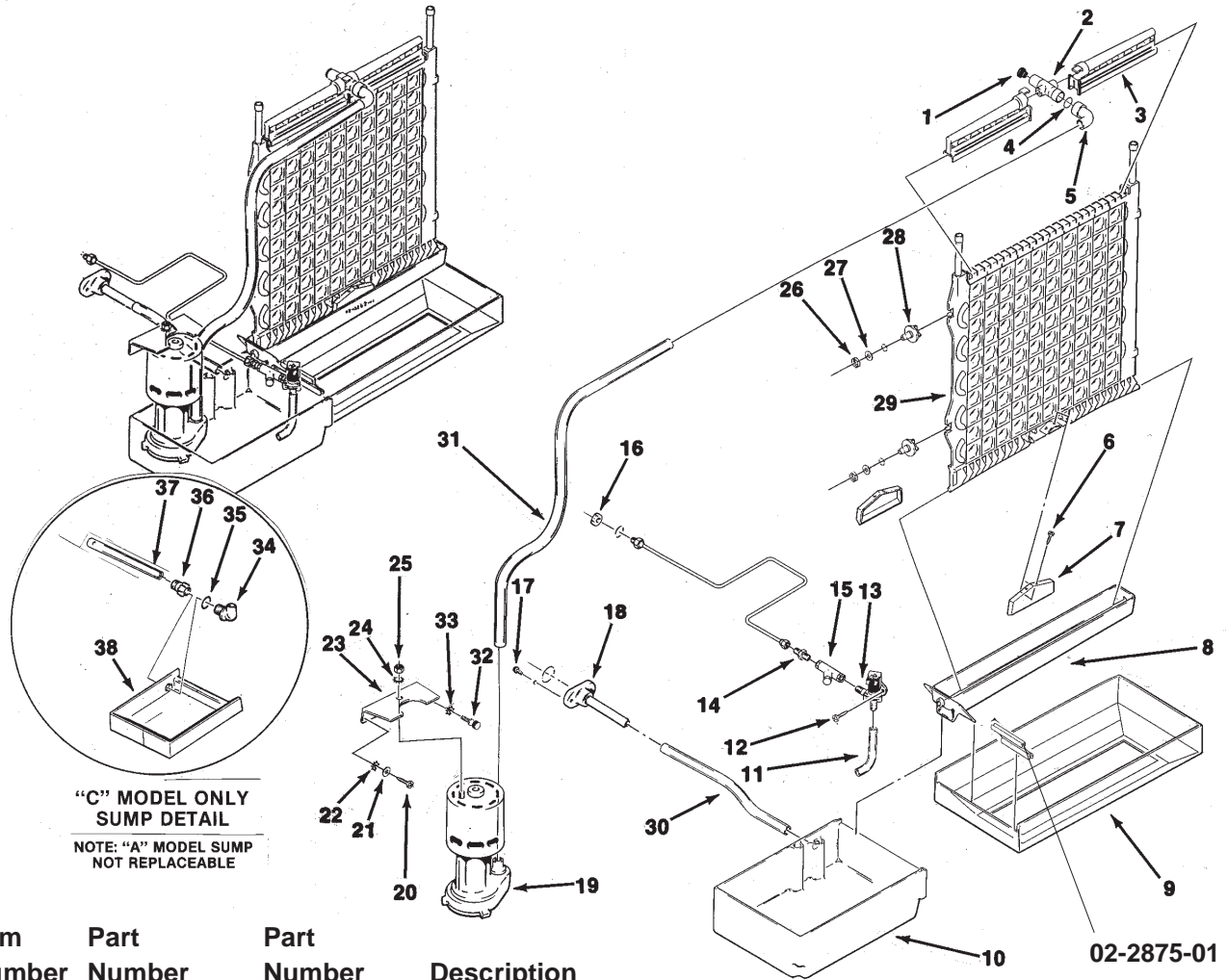


WATER-COOLED REFRIGERATION SYSTEM

| ITEM NUMBER | PART NUMBER | | DESCRIPTION |
|-------------|-------------|------------|-----------------------------------|
| | "A" & "C" | "D" & "E" | |
| 1 | A31179-021 | A32254-021 | Heat Exchanger |
| 2 | 03-1405-03 | 03-1645-01 | Screw, 1/4-20 x 1/2 |
| 3 | 03-1407-07 | 03-1417-09 | Lockwasher |
| 4 | 18-3306-02 | Same | Condenser |
| 5 | 12-2008-01 | Same | Hot Gas Valve Coil |
| | 12-2009-01 | Same | Coil Clamp |
| | 12-2007-01 | Same | Valve and Plunger |
| 6 | | 12-2300-03 | Hi Temperature Cut-Out |
| 7 | A30296-020 | Same | Evaporator Plate |
| 8 | 18-5700-01 | Same | Compressor |
| 9 | 18-2200-28 | Same | Mounting Grommet |
| 10 | 18-2200-27 | Same | Sleeve |
| 11 | 03-1407-07 | Same | Washer, 5/16 |
| 12 | | 03-1417-12 | Washer |
| 13 | 03-1405-15 | 03-1405-20 | Screw, 5/16-18 |
| 14 | 16-0563-00 | Same | Valve Cap |
| 15 | 16-0560-00 | Same | Valve Core |
| 16 | A31757-004 | A32244-001 | Drain Pan Assembly (Water-Cooled) |
| 17 | 16-0401-17 | Same | Brass Elbow |
| 18 | No Number | Same | Bracket |
| 19 | 11-0424-01 | Same | Water Regulator Valve |
| 20 | 03-1394-01 | Same | Pal Nut |
| 21 | 03-1403-14 | Same | Screw, #8 x 3/16 |
| 22 | 02-2426-02 | Same | Drier Filter |
| 23 | 18-5700-50 | Same | Overload Compressor |

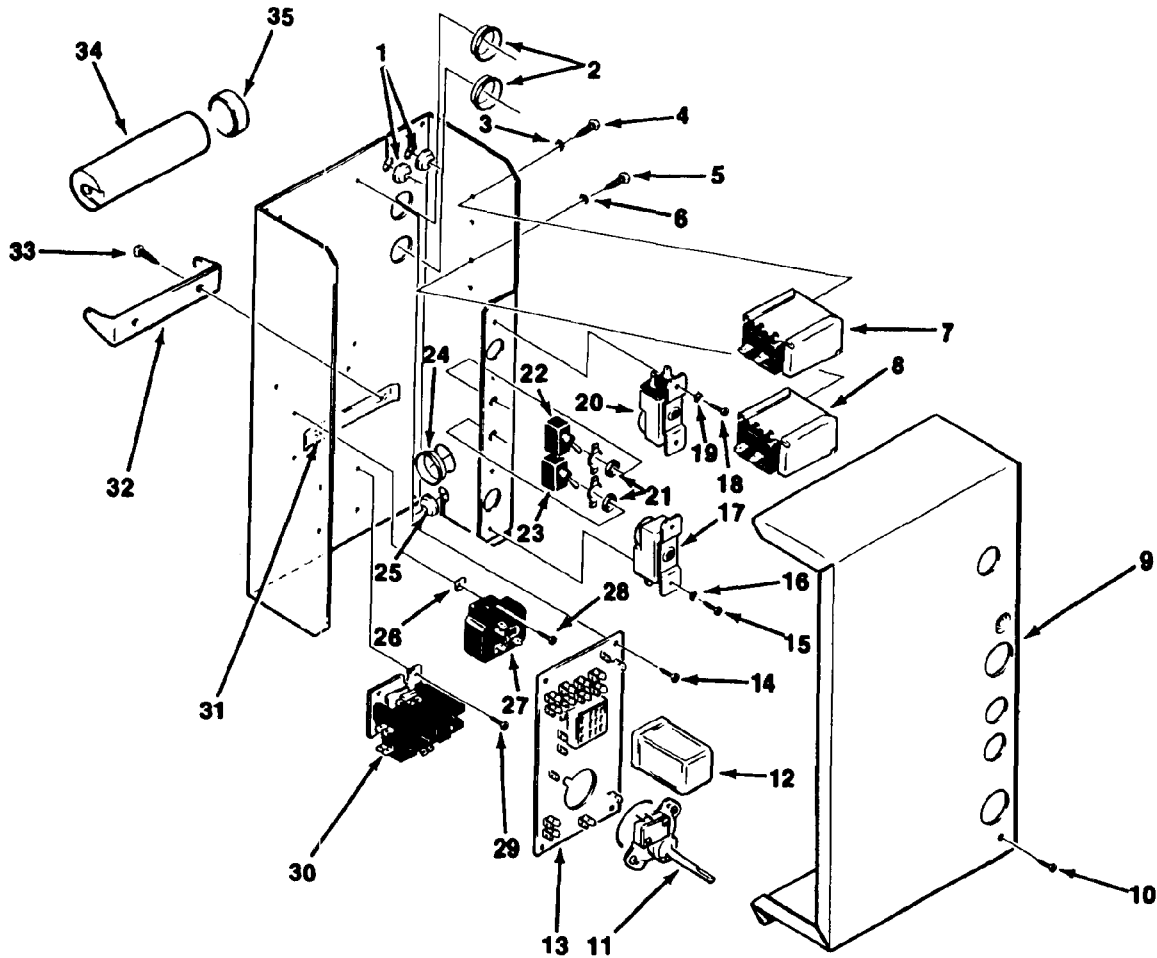
CM250 Service Parts

Water System



| Item Number | Part Number | Part Number | Description |
|-------------------------|-------------|-----------------|---------------------|
| | A-C | D series | |
| 1 | 13-0840-01 | same | Manifold hole plug |
| 2 | A29703-001 | same | Manifold water tube |
| 3 | 02-2527-01 | same | Water distrib tube |
| 4 | 13-0617-48 | same | O-ring |
| 5 | 16-0671-01 | same | Plastic tee |
| 6 | 03-1404-10 | same | Screw |
| 7 | 02-2878-01 | same | Sump end cover |
| 8 | 02-2801-01 | 02-2868-01 | Drain trough |
| 9 | no number | no number | Cube chute |
| 10 | 02-2852-02 | 02-2869-01 | Sump |
| 11 | A30918-001 | same | Sump inlet tube |
| 12 | 03-1531-01 | same | Screw |
| 13 | 12-2261-01 | 12-2313-01 | Inlet water valve |
| 14 | | 16-0791-01 | Half union coupling |
| 15 | | 16-0162-00 | Strainer |
| 16 | 03-1394-01 | same | Pal nut |
| 17 | 03-1405-03 | 03-1645-01 | Screw |
| 18 | A31757-004 | A32282-003 | Drain (AC) |
| 19 | 12-2260-21 | same | Water pump |
| 20 | | | 03-1403-17 Screw |
| 21 | | | 03-1407-03 Washer |
| 22 | | | 03-1408-31 Washer |
| 23 | A30914-001 | A30914-002 | Pump bracket |
| 24 | 03-1417-03 | 03-1417-05 | Lockwasher |
| 25 | 03-1406-03 | 03-1406-05 | Nut |
| 26 | | 03-1394-03 | Pal nut |
| 27 | | 03-1408-34 | Washer |
| 28 | 02-2642-01 | same | Plate |
| 29 | A30296-020 | same | Evaporator |
| 30 | no number | 13-0674-07 | Drain hose, 8" |
| 31 | 13-0674-07 | same | Water hose, 3.3" |
| 32 | 02-0727-09 | same | Thumbscrew |
| 33 | 03-1417-03 | same | Lockwasher |
| A & C Detail | | | |
| | A | C | |
| 34 | A30917-001 | A30917-002 | Stand pipe |
| 35 | 13-0617-02 | same | O-ring |
| 36 | 02-2606-01 | same | Tube |
| 37 | 13-0674-07 | same | Tube, 3.5" |

CM250 THE PARTS ILLUSTRATIONS AND PARTS LISTS

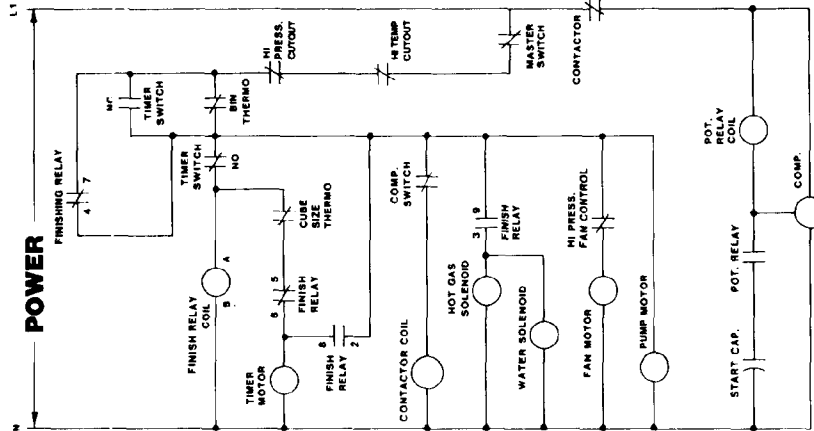
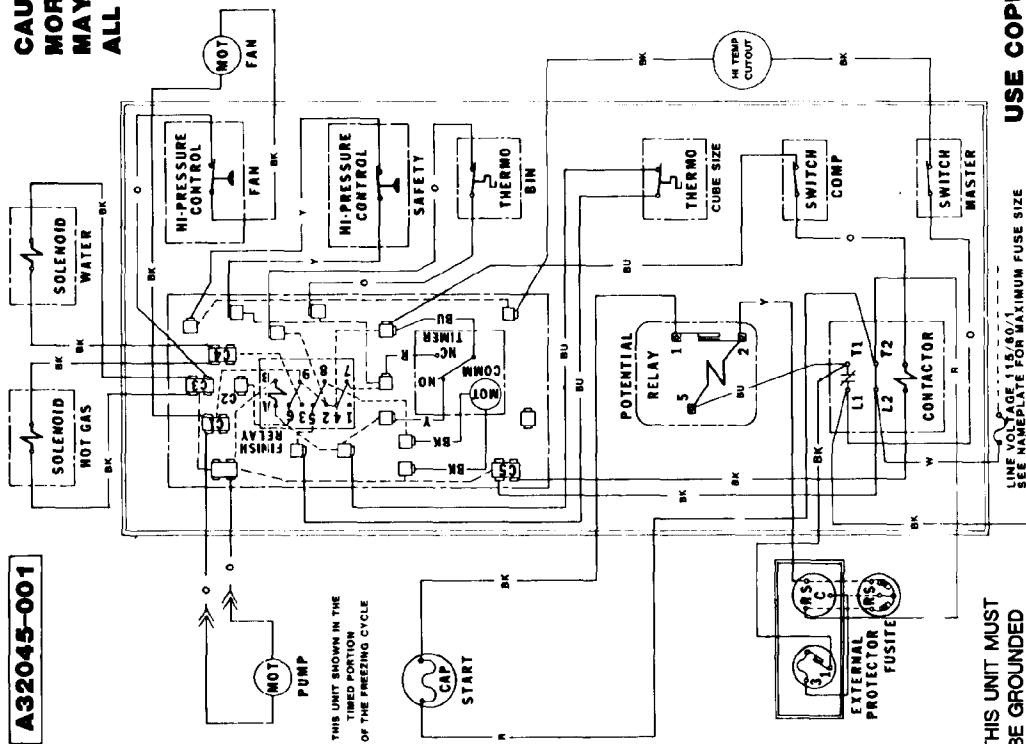


CONTROL BOX

| ITEM NUMBER | PART NUMBER | | DESCRIPTION | ITEM NUMBER | PART NUMBER | | DESCRIPTION |
|-------------|-------------|------------|--|-------------|-------------|-----------|-------------------------|
| | "A" & "C" | "D" & "E" | | | "A" & "C" | "D" & "E" | |
| 1 | 13-0557-00 | Same | Grommet | 18 | 03-1403-05 | Same | Screw, #8-32 (2) |
| 2 | 12-1213-10 | Same | Snap Bushing | 19 | 03-1417-03 | Same | Tooth Lockwasher |
| 3 | 03-1417-18 | Same | Tooth Lockwasher (2) | 20 | 11-0428-01 | Same | Cube Size Control |
| 4 | 03-1403-02 | Same | Screw, #8-32 (2) | 21 | 03-1417-16 | Same | Tooth Lockwasher |
| 5 | 03-1403-02 | Same | Screw, #8-32 (2) | 22 | 12-0428-01 | Same | Switch SPST |
| 6 | 03-1417-18 | Same | Tooth Lockwasher (2) | 23 | 12-0428-01 | Same | Switch SPST |
| 7 | 11-0428-01 | Same | Fan Pressure Control (Air-Cooled Only) | 24 | 12-1213-17 | Same | Snap Bushing |
| 8 | 11-0425-01 | Same | High Pressure Control (Air-Cooled) | 25 | 13-0557-00 | Same | Grommet |
| | 11-0410-02 | Same | High Pressure Control (Water-Cooled) | 26 | 03-1423-01 | Same | Speed Nut (1) |
| 9 | A30902-001 | A32168-001 | Control Box Cover | 27 | 18-1903-31 | Same | Potential Relay |
| 10 | 03-1531-01 | Same | Screw | 28 | 03-1403-02 | Same | Screw, #8-32 (2) |
| 11 | 12-1980-01 | Same | Timer | 29 | 03-1403-15 | Same | Screw, #8-32 |
| 12 | 12-1879-02 | Same | Relay, 3PDT | 30 | 12-2048-01 | Same | Contactors |
| 13 | 12-1912-01 | Same | Circuit Board | 31 | 03-1103-00 | Same | Twin Speed Nut (1) |
| 14 | 03-1403-02 | Same | Screw, #8-32 (5) | 32 | 18-2200-39 | Same | Start Capacitor Bracket |
| 15 | 03-1403-05 | Same | Screw, #8-32 (2) | 33 | 03-1403-15 | Same | Screw |
| 16 | 03-1417-03 | Same | Tooth Lockwasher | 34 | 18-1901-47 | Same | Start Capacitor |
| 17 | 11-0427-02 | Same | Bin Thermostat | 35 | 18-2200-38 | Same | Start Capacitor Cap |

CM250C WIRING DIAGRAM

CAUTION:
MORE THAN ONE DISCONNECT MEANS
MAY BE REQUIRED TO DISCONNECT
ALL POWER TO THIS UNIT.

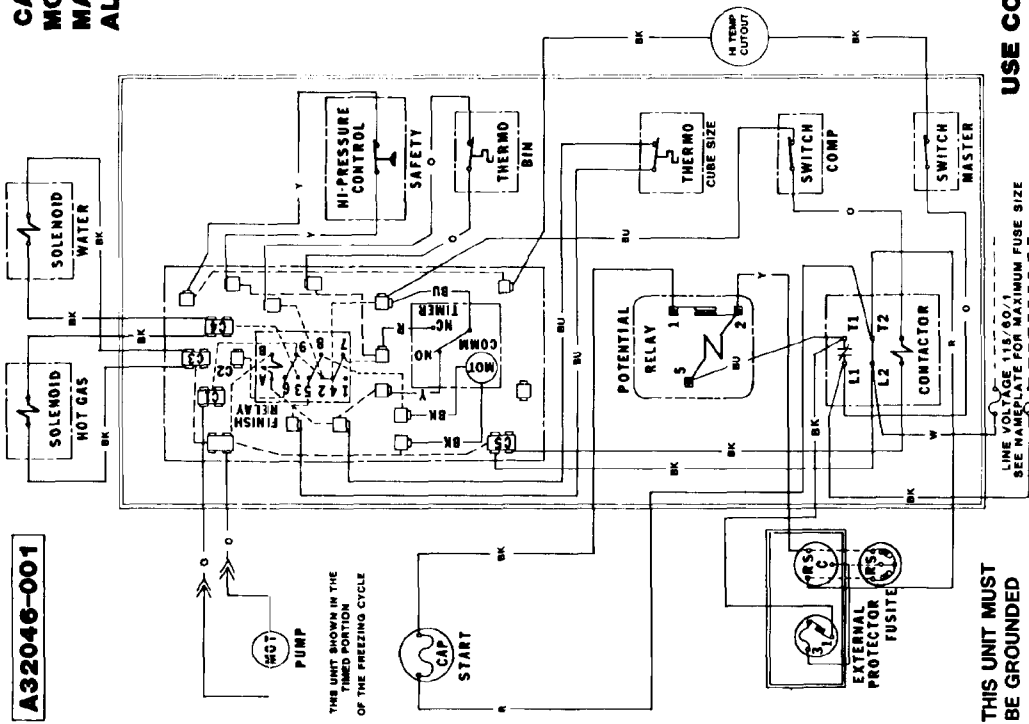


USE COPPER CONDUCTORS ONLY

Use of the High Temperature cut-out begins with Serial Number 885250-03G

CM250C WIRING DIAGRAM

CAUTION:
MORE THAN ONE DISCONNECT MEANS
MAY BE REQUIRED TO DISCONNECT
ALL POWER TO THIS UNIT.



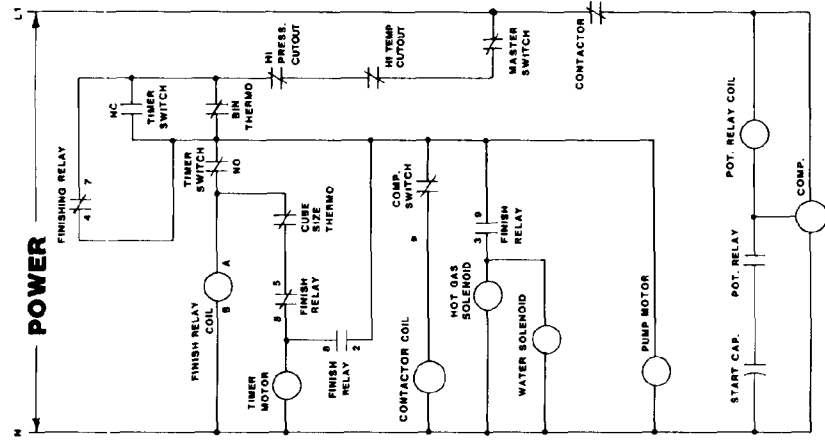
A32046-001

THIS UNIT SHOWN IN THE
 TIMED PORTION
 OF THE FREEZING CYCLE

**THIS UNIT MUST
 BE GROUNDED**

LINE VOLTAGE 115/60/1
 SEE NAMEPLATE FOR MAXIMUM FUSE SIZE

USE COPPER CONDUCTORS ONLY

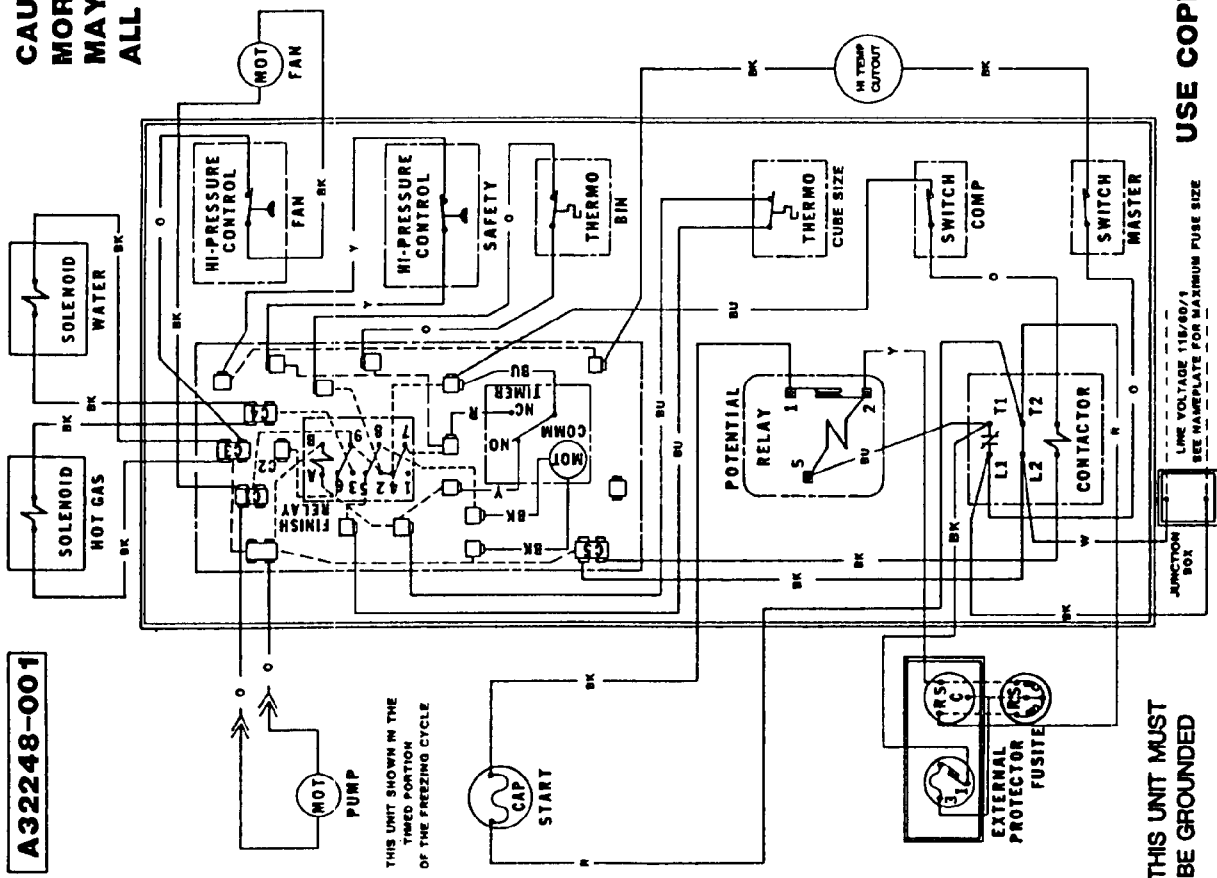


Use of the High Temperature cut-out begins with Serial Number 885250-03G

CM250WE-1C Wiring Diagram (115/60/1) Water-Cooled

CM250 D AND E WIRING DIAGRAM

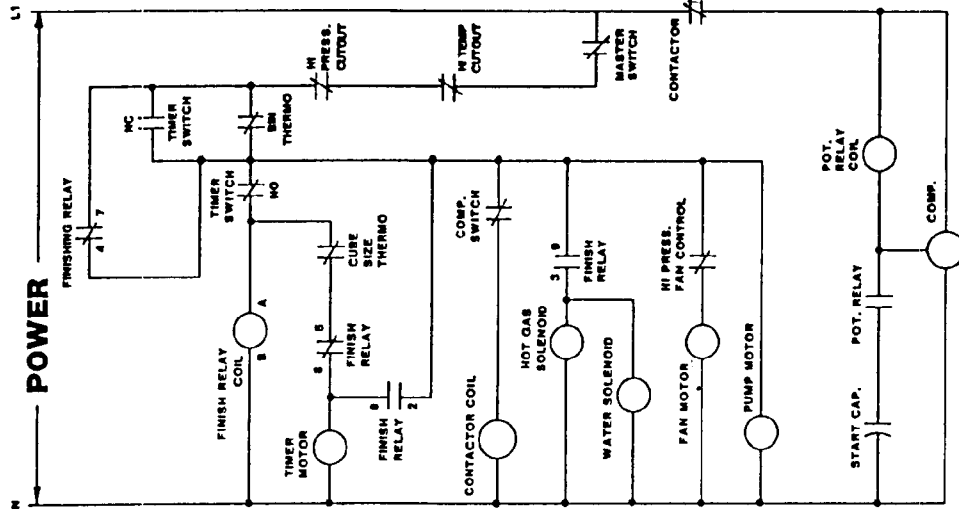
CAUTION:
MORE THAN ONE DISCONNECT MEANS
MAY BE REQUIRED TO DISCONNECT
ALL POWER TO THIS UNIT.



A32248-001

THIS UNIT SHOWN IN THE
 TIMED PORTION
 OF THE FREEZING CYCLE

**THIS UNIT MUST
 BE GROUNDED**

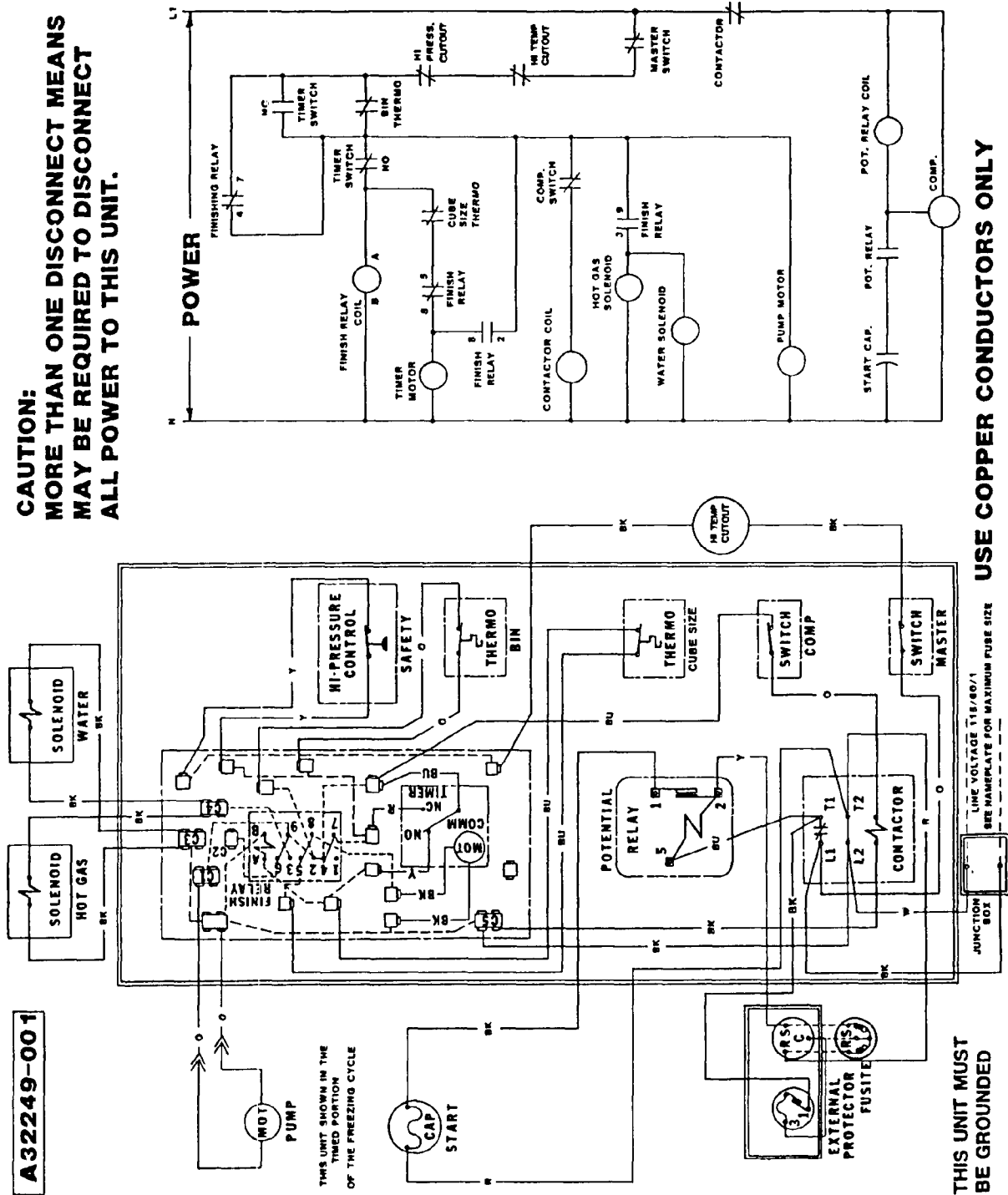


USE COPPER CONDUCTORS ONLY

Wiring Diagram CM250AE-1D and CM250AE-1E (115/60/1)

CM250 D AND E WIRING DIAGRAM

CAUTION:
MORE THAN ONE DISCONNECT MEANS
MAY BE REQUIRED TO DISCONNECT
ALL POWER TO THIS UNIT.



USE COPPER CONDUCTORS ONLY

Wiring Diagram CM250WE-1D and CM250WE-1E (115/60/1)