

# NME950 & FME1200 SERVICE PARTS

This parts list contains the service parts and wiring diagrams for this model. Check the model number in question to be sure that it is applicable to this parts list.

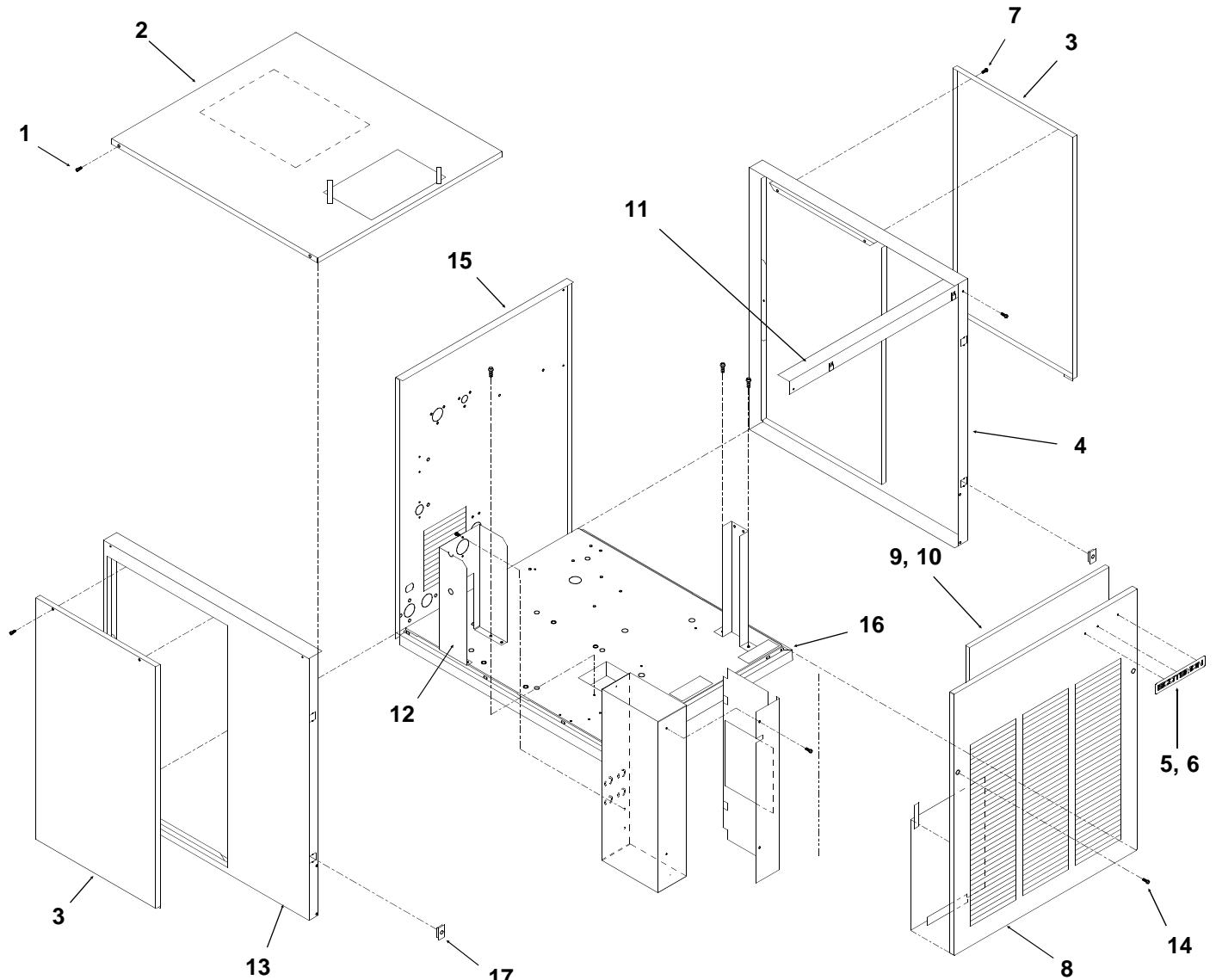
Note that these machines have been manufactured in both 50 and 60 cycle.  
60 Hz model numbers end in -3 or -32.  
50 Hz model numbers end in -6.

## TABLE OF CONTENTS

Cabinet .....	2
Air Cooled Refrigeration .....	3
Water Cooled Refrigeration.....	4
Water System .....	5
Gearmotor.....	6
NME Evaporator .....	7
FME Evaporator .....	8
Control Box.....	9
Wiring Diagrams.....	10

# NME950 & FME1200 SERVICE PARTS

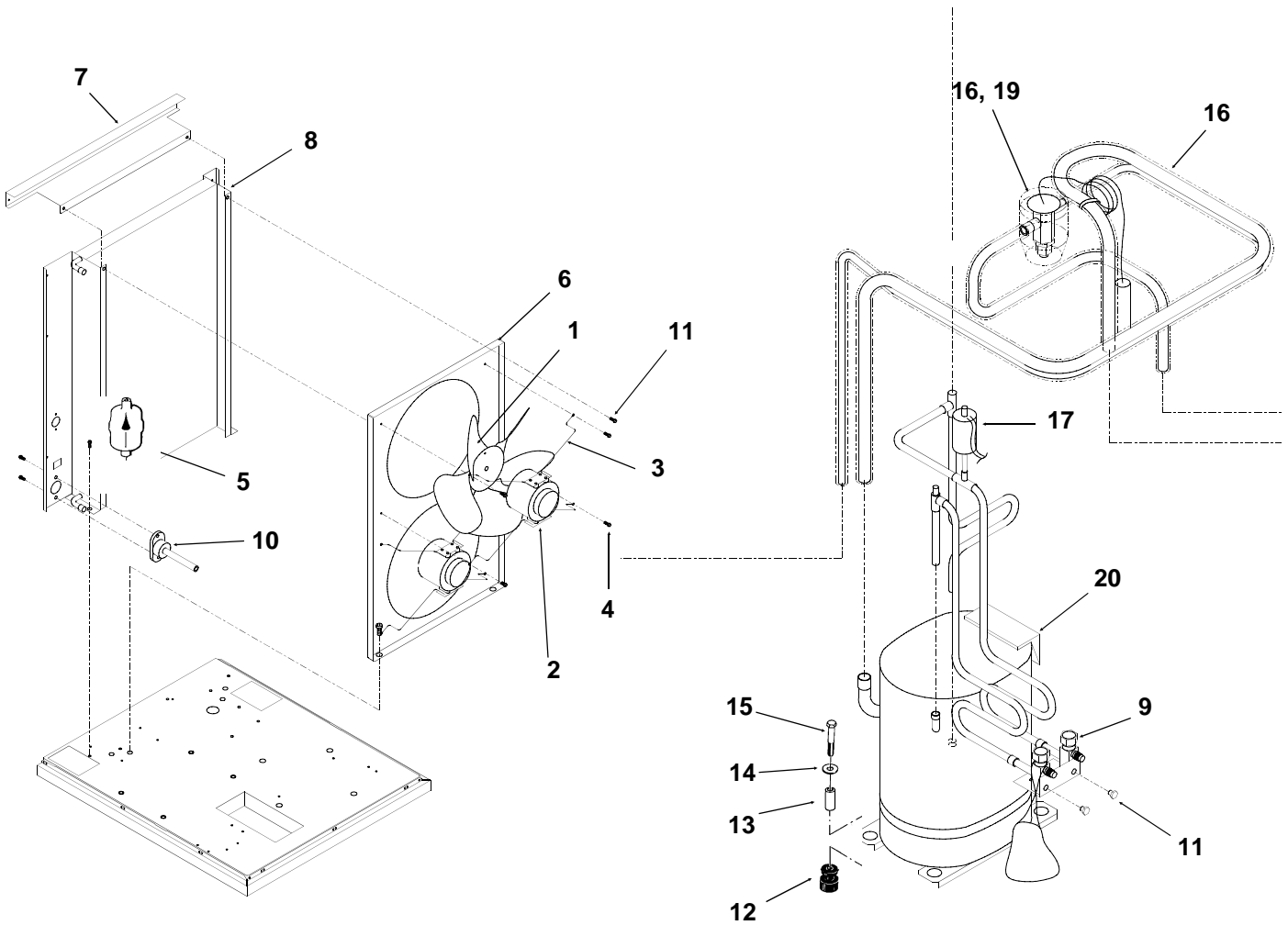
## Cabinet Assembly



ITEM NUMBER	PART NUMBER	DESCRIPTION	ITEM NUMBER	PART NUMBER	DESCRIPTION
1	03-1531-01	Screw	9	02-2976-01	Filter Assembly
2	A33256-001	Top Panel, sandalwood	10	03-1660-01	Filter clip
	A33256-015	Top panel, gray	11	A34348-001	Ft. brace
	A33256-002	Top Panel, S.S.	12	A34039-001	Control Box Support
3	A34038-001	Service Panel, sandalwood	13	A32435-001	Left Side Panel, sandalwood
	A34038-015	Service panel, gray		A32435-015	Left side panel, gray
	A34038-002	Service Panel, S.S.		A32435-002	Left Side Panel, S.S.
4	A33292-001	Right Side Panel, s-wood	14	03-1419-22	Screw
	A33292-015	Right side panel, gray	15	Water Cooled only:	
	A33292-002	Right Side Panel, S.S.		A35924-001	Rear Panel, Painted
5	03-0271-00	Speed Clip		A35924-002	Rear panel, stainless
6	15-0711-01	Emblem, sandalwood		A35924-015	Rear panel, gray
	15-0808-03	Emblem, grey	16.	A35890-001	Base
7	03-1404-12	Screw	17	02-0836-00	Catch
8	A33255-001	Front Panel, sandalwood		15-0411-00	Strike (on front panel)
	A33255-015	Front panel, gray			
	A33255-002	Front Panel, S.S.			

# NME950 & FME1200 SERVICE PARTS

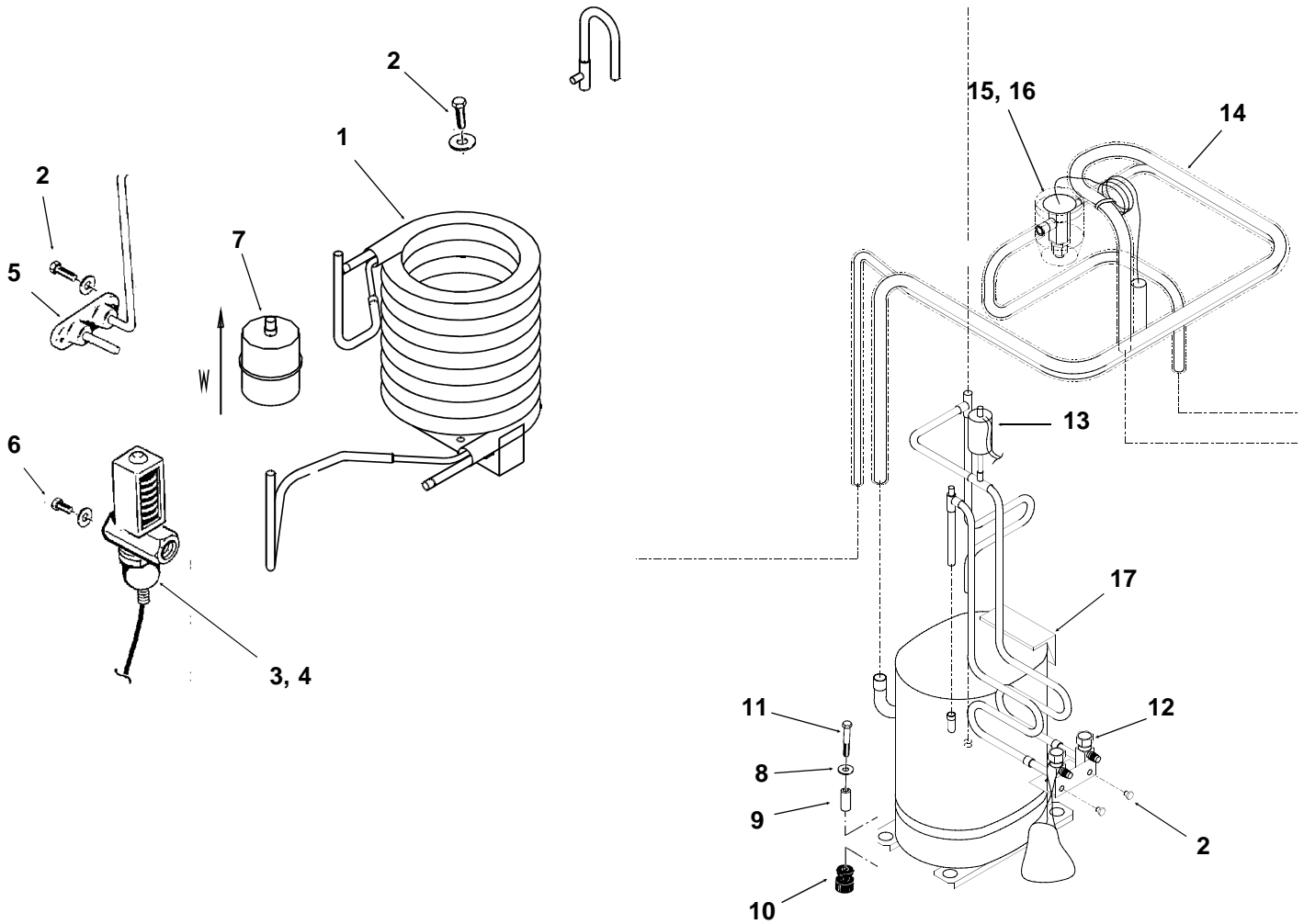
## Air Cooled Refrigeration



PART NUMBER	PART NUMBER	DESCRIPTION	ITEM NUMBER	PART NUMBER	DESCRIPTION
1	18-3815-01	Fan Blade	14	03-1407-07	Washer
2	12-1576-02	Fan Motor	15	03-1405-20	Cap Screw
3	02-2378-01	Fan Bracket	16	A36496-001	Suction Line
4	03-1404-12	Screw	17	11-0485-21	Hi Pressure Cut Out
5	02-3319-02	Dryer	18	A32961-020	Insulation Kit (3 piece)
6	A33231-001	Fan Shroud	19	11-0488-21	Thermo Expansion Valve
7	A35582-001	Fan shroud cover, painted	20	18-8768-22	Compressor 208-230/60/1
	A35582-002	Fan shroud cover, stainless			Overload for above is internal
8	18-8717-01	Condenser		18-8768-24	Compressor 200-230/60/3
9	16-0832-20	Access valve			Overload for above is internal
9a	16-0832-02	Stem cap		18-8772-26	Compressor 220-240/50/1
9b	16-0832-03	Core cap		18-8772-21	Overload for above
10	A34045-001	Drain casting	NME950-6B or FME1200-6B:		
11	03-1645-01	Screw	21	11-0512-01	Low pressure cut out switch
12	18-2200-28	Grommet			
13	18-2300-27	Sleeve			

# NME950 & FME1200 SERVICE PARTS

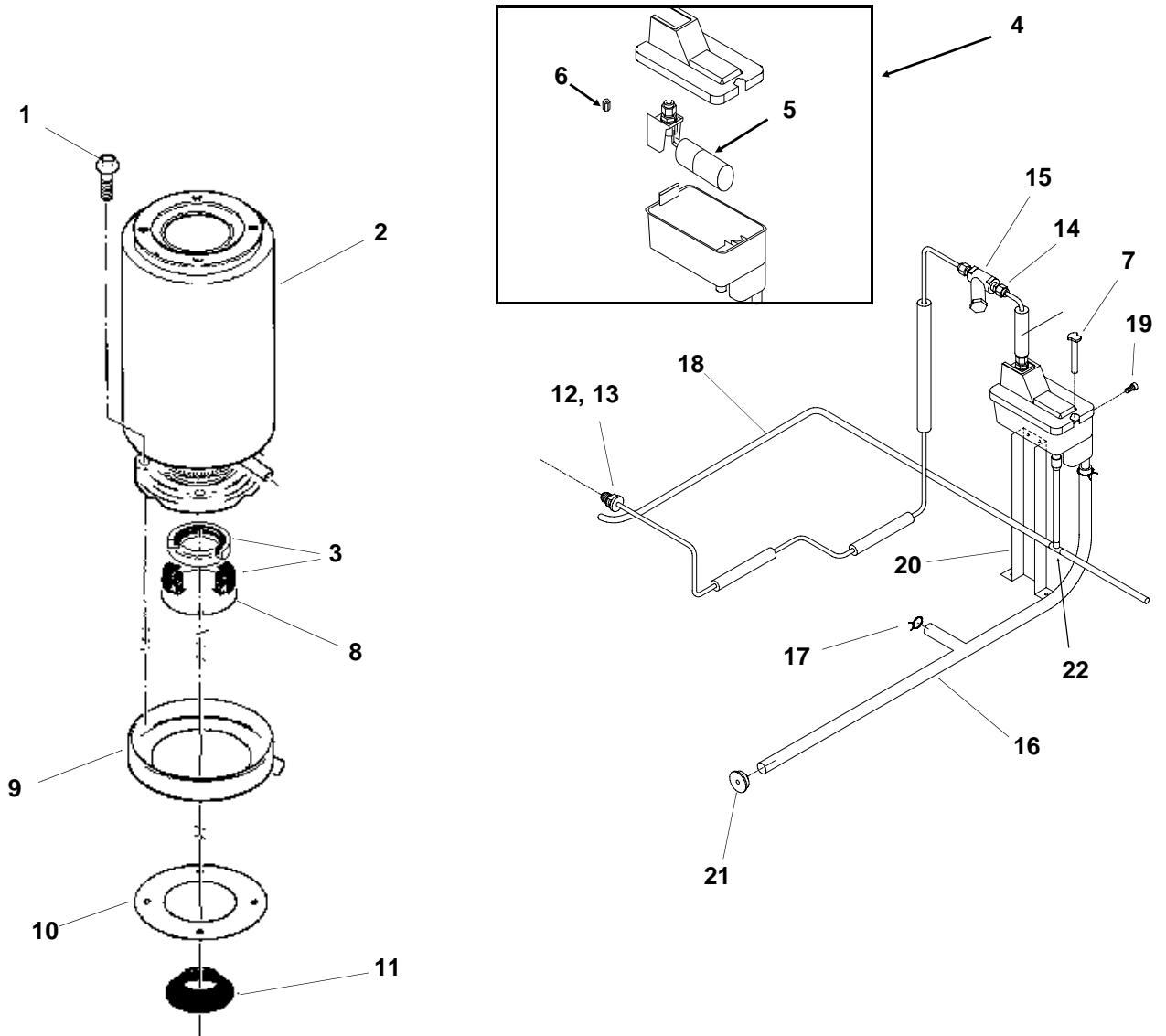
## Water Cooled Refrigeration



ITEM NUMBER	PART NUMBER	DESCRIPTION
1	18-8718-21	Condenser
2	03-1645-01	Screw
3	11-0478-21	Water Reg. Valve
4	16-0401-02	Elbow (not shown)
5	A34044-001	Drain Assembly
6	03-1403-14	Screw
7	02-3319-02	Dryer
8	03-1407-07	Washer
9	18-2200-27	Sleeve
10	18-2200-28	Grommet
11	03-1405-20	Screw
12	16-0832-20	Access Valve Complete
12a	16-0832-02	Stem cap
12b	16-0832-03	Core cap
13	11-0485-21	Hi Pressure Cut Out
14	A36496-001	Suction Line
15	A32961-020	Insulation Kit (3 piece)
16	11-0488-21	Thermo Expansion Valve
17	18-8768-22	Compressor 208-230/60/1
		Overload for above is internal
		18-8768-24 Compressor 200-230/60/3
		Overload for above is internal
		18-8772-26 Compressor 220-240/50/1
		18-8772-21 Overload for above
NME950-6B or FME1200-6B:		
18	11-0512-01	Low pressure cut out switch

# NME950 & FME1200 SERVICE PARTS

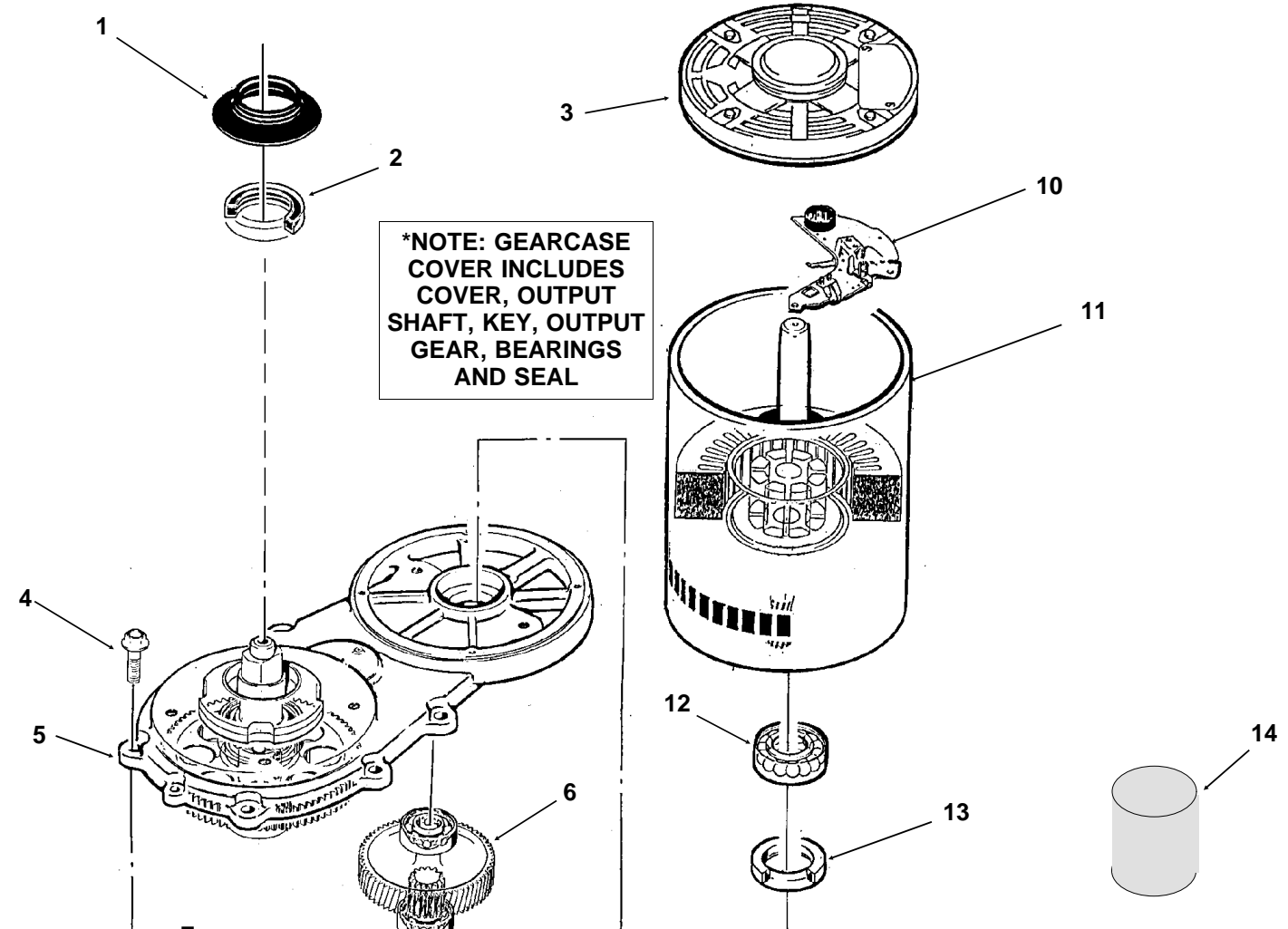
## Water System



ITEM NUMBER	PART NUMBER	DESCRIPTION	ITEM NUMBER	PART NUMBER	DESCRIPTION
1	03-1420-03	Cap Screw	15	16-0162-00	Strainer
2	A32890-020	Evaporator	16	A36154-001	Evap. water inlet tube
3	02-0929-23	Water Seal	17	02-1338-00	Hose clamp
4	02-3266-20	Reservoir & valve	18	13-0079-03	Res. overflow hose
5	02-3266-21	Float valve	19	03-1639-03	Screw
6	02-3266-22	Plunger/seat	20	A36078-002	Reservoir bracket
7	A33101-022	Water Level Sensor	21	13-0840-01	Rubber cap
8	A32777-021	Retaining Ring for Seal	22	16-0670-02	Tee
9	A32050-001	Drip Pan			
10	13-0704-00	Gasket			
11	13-0868-01	Water Shed			
12	A27318-001	Water Inlet Fitting			
13	03-1394-01	Pal Nut			
14	16-0791-01	Coupling union			

# NME950 & FME1200 SERVICE PARTS

## Gearmotor

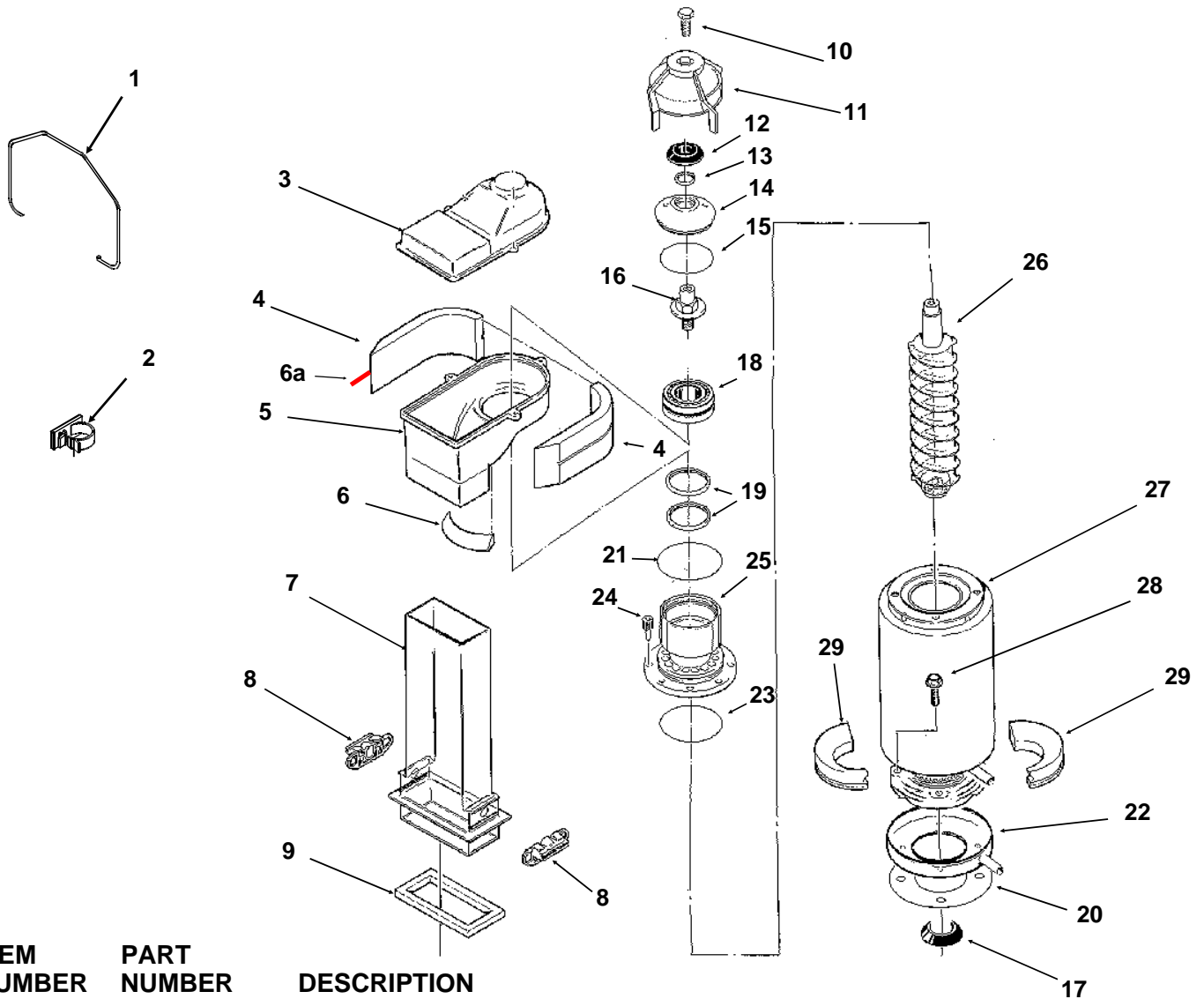


**\*NOTE: GEARCASE COVER INCLUDES COVER, OUTPUT SHAFT, KEY, OUTPUT GEAR, BEARINGS AND SEAL**

ITEM NUMBER	PART NUMBER	DESCRIPTION
1	13-0868-01	Water Shed
2	A32379-029	Seal
3	no number	End bell
4	A32379-026	Bolt (6)
5	A32379-022	Gearcase Cover*
6	A32379-024	1st Gear and Bearings
7	A32379-023	2nd Gear and Bearings
8	A32379-021	Gasket
9	A32379-020	Gearcase
10	12-2430-24	Start switch, Emerson
	12-2430-44	Start switch, GE split phase
11	12-2430-22	Drive Motor, 60 Hz
	12-2430-23	Drive Motor, 50 Hz
12	12-2430-29	Bearing, Emerson
	12-2430-49	Bearing, GE split phase
13	A32379-028	Seal, not used after 2/2000
14	A32379-027	Oil, 1 Container
15	A33220-022	Complete Assy 60 Hz
	A33220-023	Complete Assy, 50 Hz
16	A33220-030	Gear and case kit, no motor

# NME950 & FME1200 SERVICE PARTS

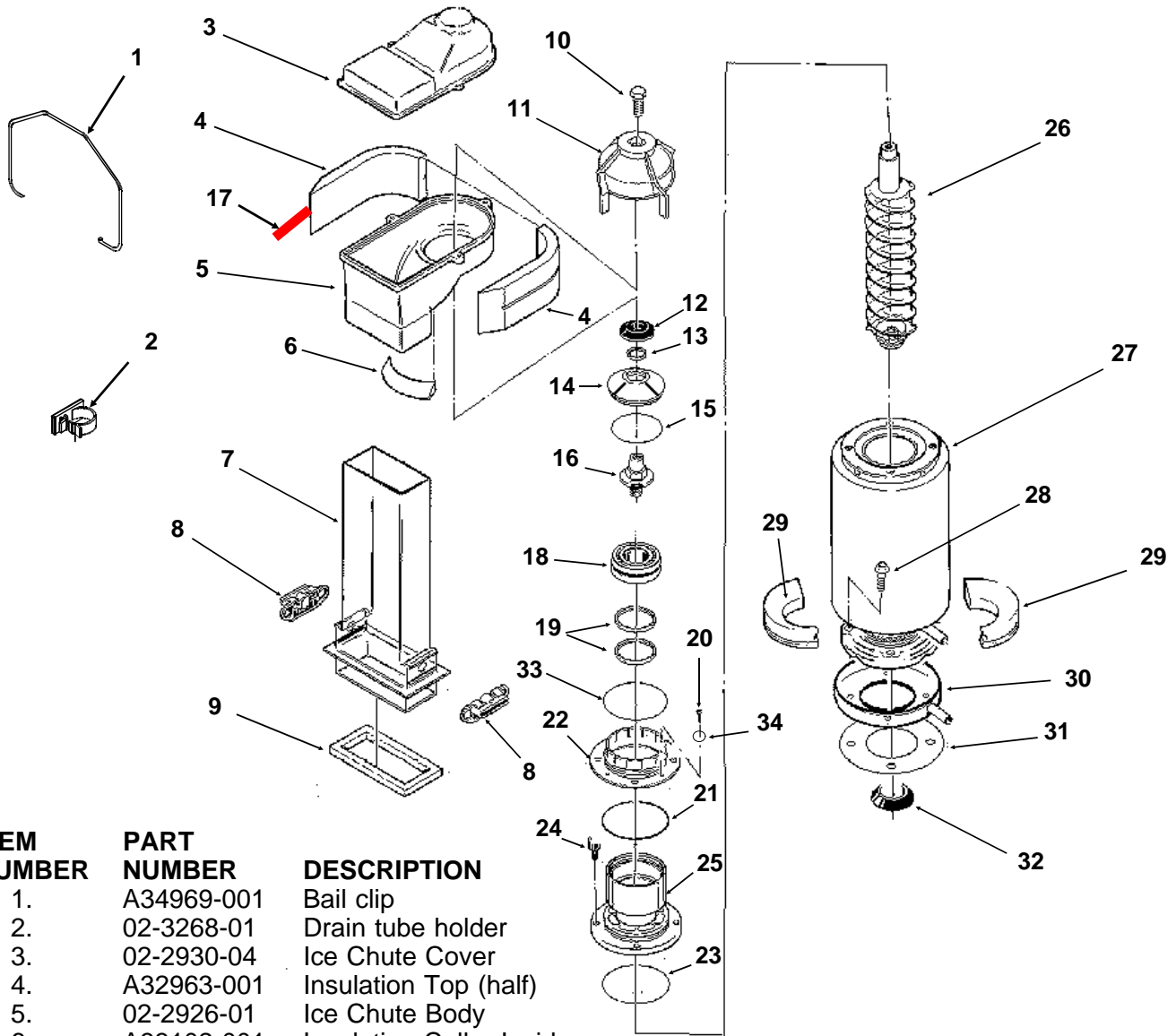
## NME Evaporator



ITEM NUMBER	PART NUMBER	DESCRIPTION
1.	A34969-001	Bail clip
2.	02-3268-01	Drain tube holder
3.	02-2930-04	Ice Chute Cover
4.	A32963-001	Insulation Top (half)
5.	02-2926-01	Ice Chute Body
6.	A33102-001	Insulation Collar Inside
6a	A35419-020	Strap kit
7.	02-2929-04	Ice Chute Lower
8.	A37708-021	Bin Controls Assy. (set of 2)
9.	A32930-001	Chute Gasket
10.	03-1405-52	Hex Cap Screw
11.	02-3001-01	Ice Sweep
12.	13-0871-01	Water Shed
13.	02-2978-01	Lip Seal
14.	02-3128-20	Breaker Cover
15.	13-0617-52	O-Ring
16.	08-0660-01	Auger Stud & washer
17.	13-0868-01	Water Shed
18.	A34559-020	Bearing
19.	02-2977-01	Lip Seal
20.	13-0704-00	Drip Pan Gasket
21.	13-0617-54	O-Ring
22.	02-3837-01	Drip Pan
23.	13-0617-45	O-Ring
24.	03-1544-08	Soc. Head Screw
25.	A32900-020	Breaker (includes 18 & 19)
26.	A38071-022	Auger
27.	A32890-020	Evaporator
28.	03-1405-41	Cap Screw
29.	A32962-001	Insulation Bot. (half)

# NME950 & FME1200 SERVICE PARTS

## FME Evaporator

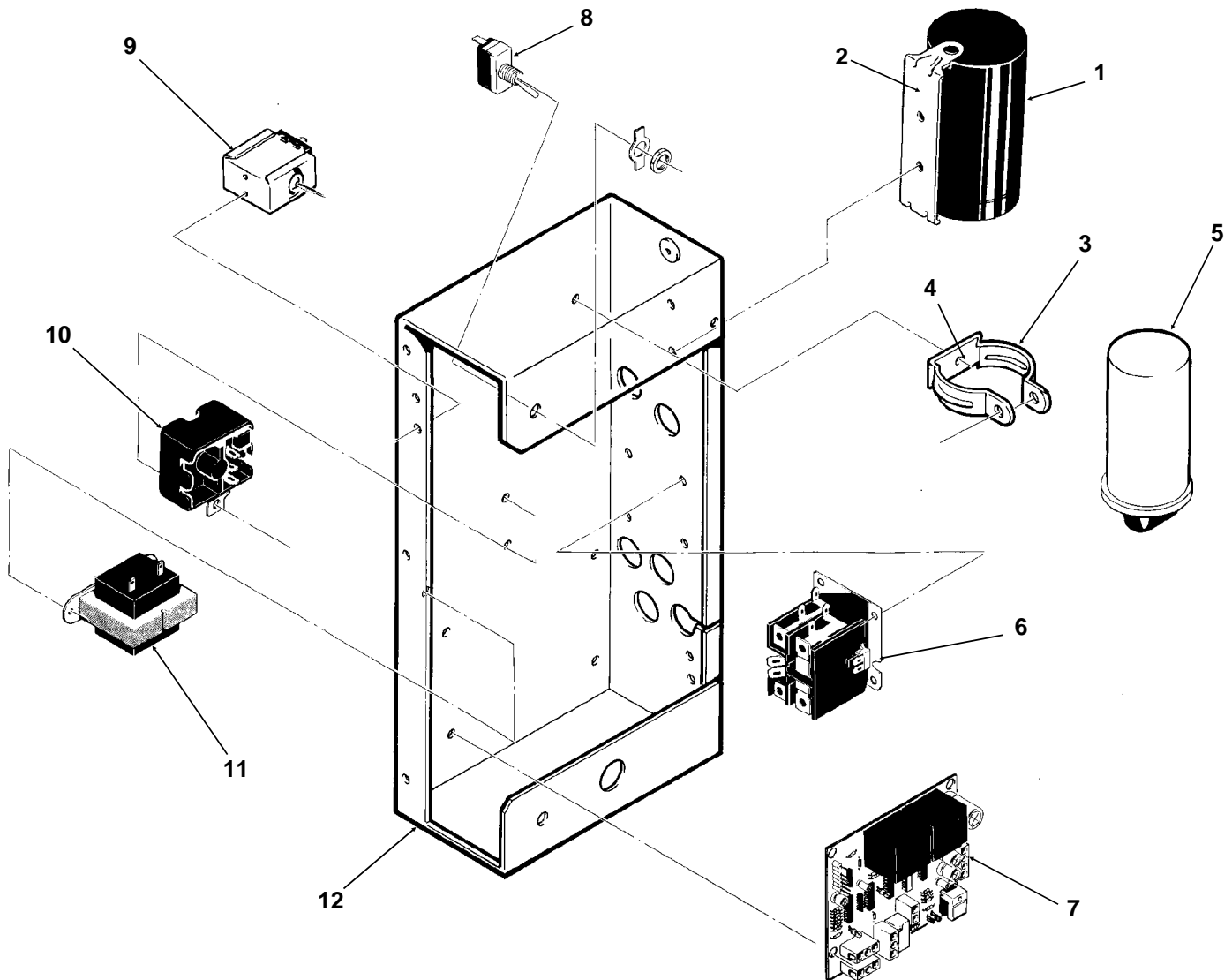


ITEM NUMBER	PART NUMBER	DESCRIPTION
1.	A34969-001	Bail clip
2.	02-3268-01	Drain tube holder
3.	02-2930-04	Ice Chute Cover
4.	A32963-001	Insulation Top (half)
5.	02-2926-01	Ice Chute Body
6.	A33102-001	Insulation Collar Inside
7.	02-2929-04	Ice Chute Lower
8.	A37708-021	Bin Controls Assy. (set of 2)
9.	A32930-001	Chute Gasket
10.	03-1405-52	Hex Cap Screw
11.	02-3001-01	Ice Sweep
12.	13-0871-01	Water Shed
13.	02-2978-01	Lip Seal
14.	02-3128-20	Breaker Cover
15.	13-0617-54	O-Ring
16.	08-0660-01	Auger Stud, thrust Washer
17.	A35419-020	Strap kit
18.	A34559-020	Bearing
19.	02-2977-01	Lip Seal
20.	03-1405-27	Screw
		21. 13-0617-52 O-Ring
		22. 02-2916-01 Slotted Collar
		23. 13-0617-45 O-Ring
		24. 03-1544-08 Soc. Head Screw
		25. A34505-020 Breaker (Divider) (includes 18 & 19)
		26. A38071-022 Auger
		27. A32890-020 Evaporator
		28. 03-1405-41 Cap Screw
		29. A32962-001 Insulation Bot. (half)
		30. 02-3837-01 Drip Pan
		31. 13-0704-00 Drip Pan Gasket
		32. 13-0868-01 Water Shed
		33. 13-0617-49 O-Ring
		34. 03-1408-36 Washer



# NME950 & FME1200 SERVICE PARTS

## Control Box

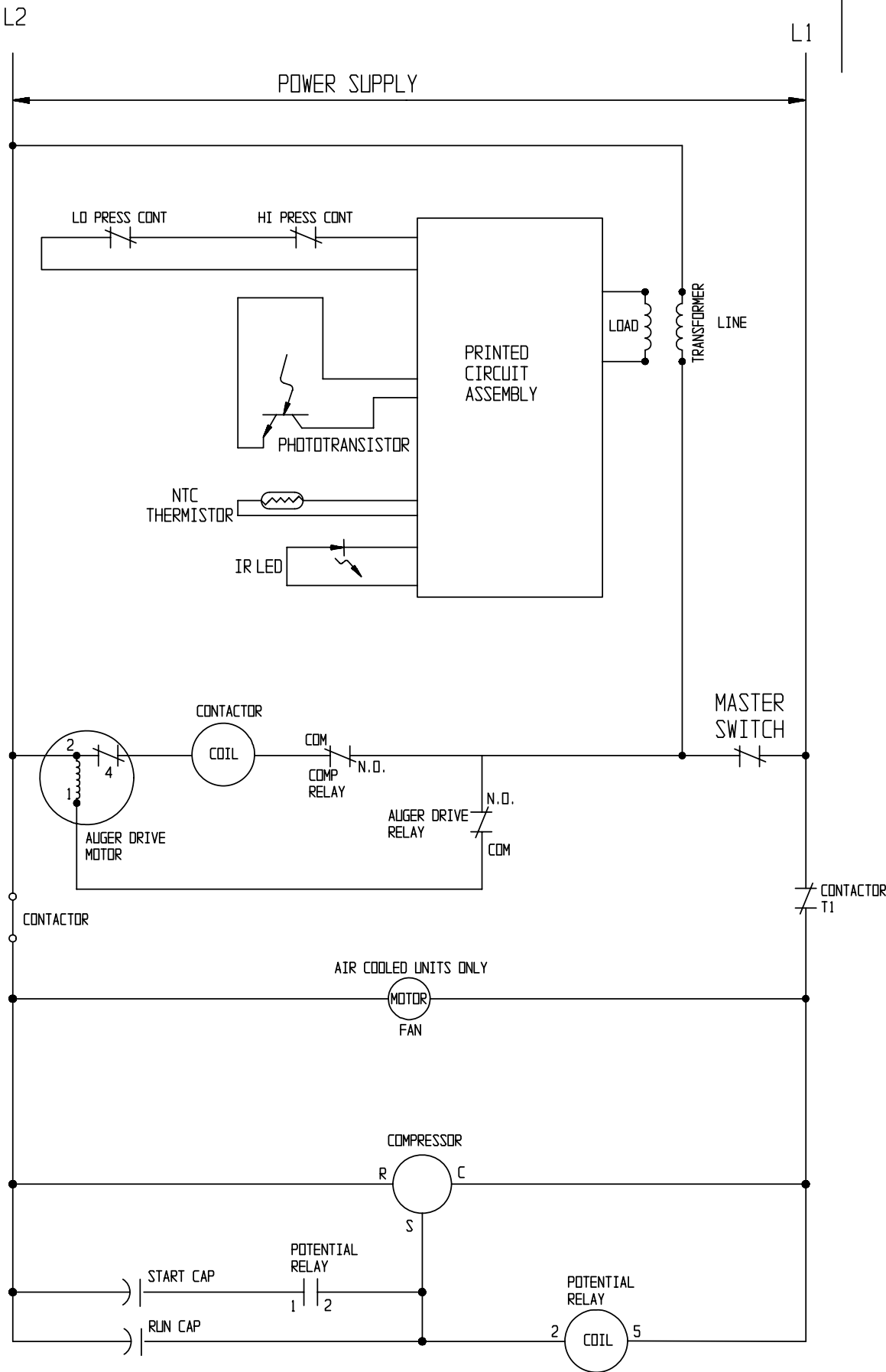


ITEM NUMBER	PART NUMBER	DESCRIPTION	ITEM NUMBER	PART NUMBER	DESCRIPTION
1	18-1901-54	Start Capacitor, 60 Hz	7	A37750-021	Circuit Board
	18-1901-53	Start Capacitor, 50 Hz	8.	12-0426-01	Master Switch
	18-4300-50	Start Capacitor Cap.	NME950-6B or FME1200-6B only:		
2.	18-2200-39	Start Capacitor Bracket		12-2637-01	Toggle Switch
	03-1638-04	Screw	9.	11-0447-20	Low Pressure Control
	03-1417-16	Lockwasher	10	18-1903-33	Potential Relay, 60 Hz
3.	A32872-001	Run Cap Bracket		18-1903-54	Potential relay, 50 Hz
	03-1652-02	Bolt	11.	12-2285-22	Transformer
	03-0255-04	Wing Nut	NME950-6B or FME1200-6B only:		
4.	03-1638-03	Screw		12-2639-01	Tranformer
5.	18-1902-45	Run capacitor, 60 Hz	12	no number	Control Box
	18-1902-53	Run capacitor, 50 Hz	NOT ILLUSTRATED		
6.	12-2469-02	Single Phase Contactor	13.	12-2340-01	4 Pin Plug Assy (Transformer to Circuit Board)
	12-0739-02	Three phase contactor	14.	A34055-001	Control Box Cover
			NME950-6B or FME1200-6B only:		
			15	12-2687-01	Fuse block
				12-2686-02	2A fuse

Note: Hz means Cycles, 50 Hz is 50 cycle, the model number ends in a -6 for 50 Hz models.

# NME950 & FME1200 SERVICE PARTS

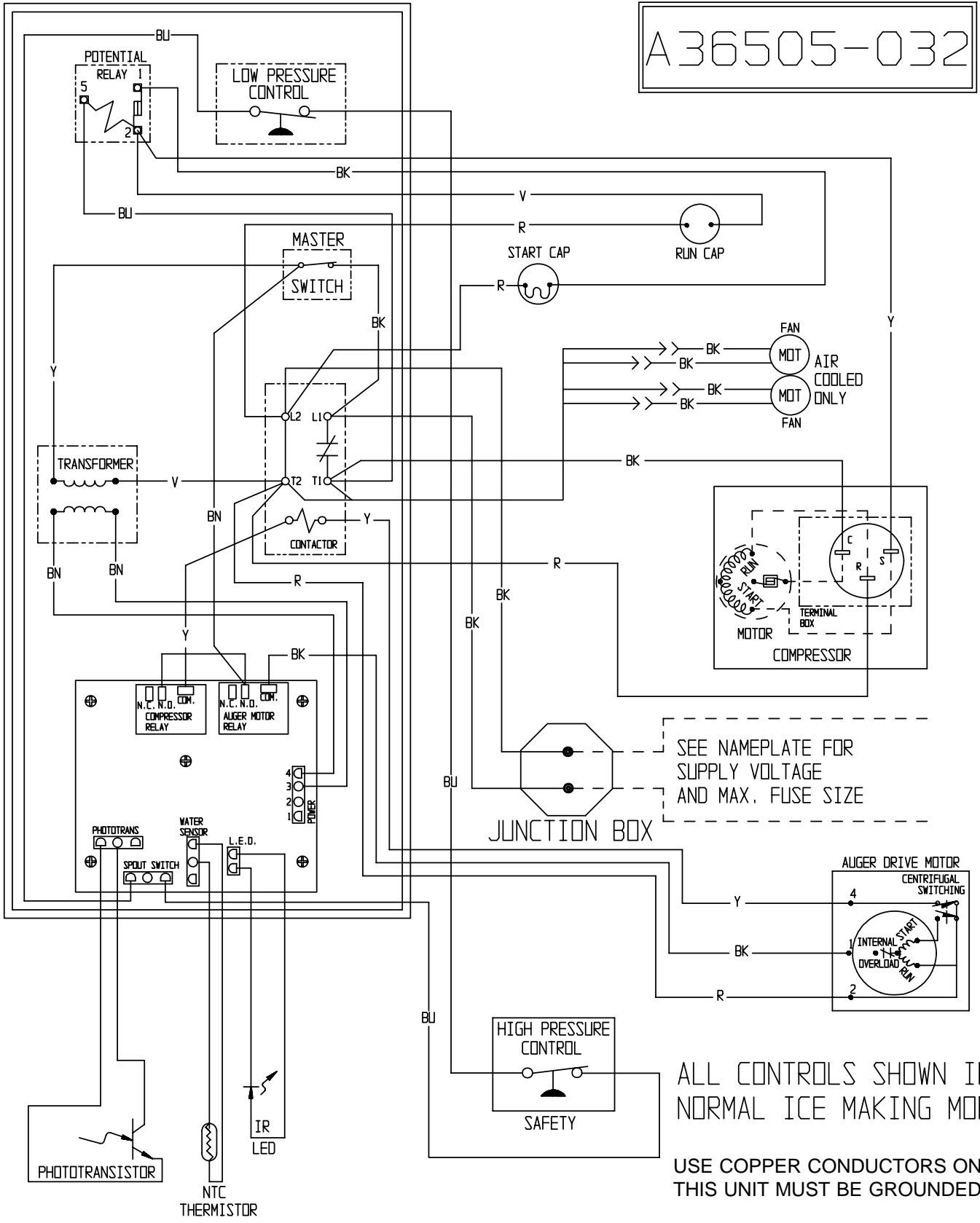
AIR AND WATER COOLED, 208-230/60/1



# NME950 & FME1200 SERVICE PARTS

AIR AND WATER COOLED, 208-230/60/1

A36505-032



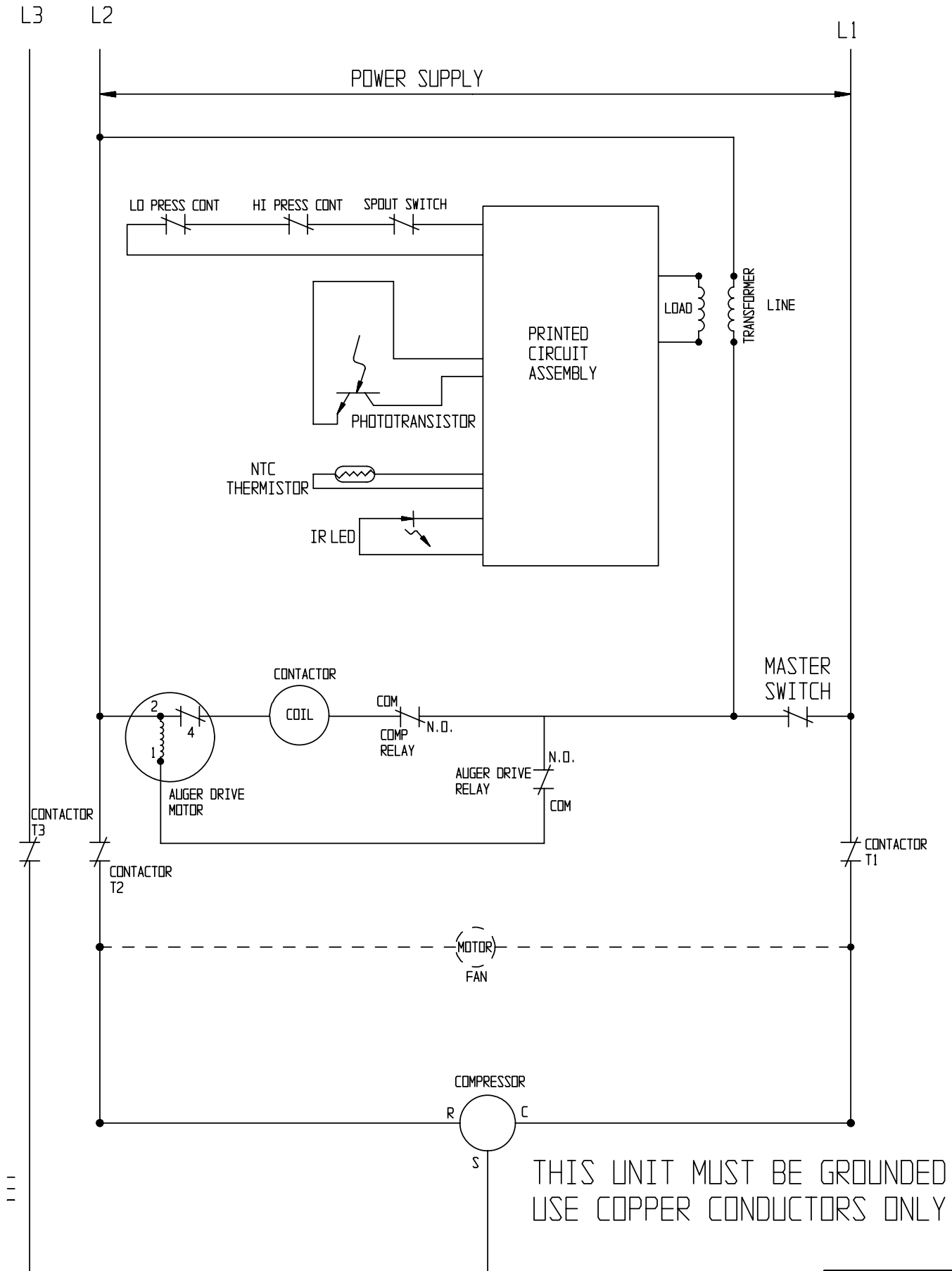
SEE NAMEPLATE FOR  
SUPPLY VOLTAGE  
AND MAX. FUSE SIZE

ALL CONTROLS SHOWN IN  
NORMAL ICE MAKING MODE

USE COPPER CONDUCTORS ONLY  
THIS UNIT MUST BE GROUNDED

# NME950 & FME1200 SERVICE PARTS

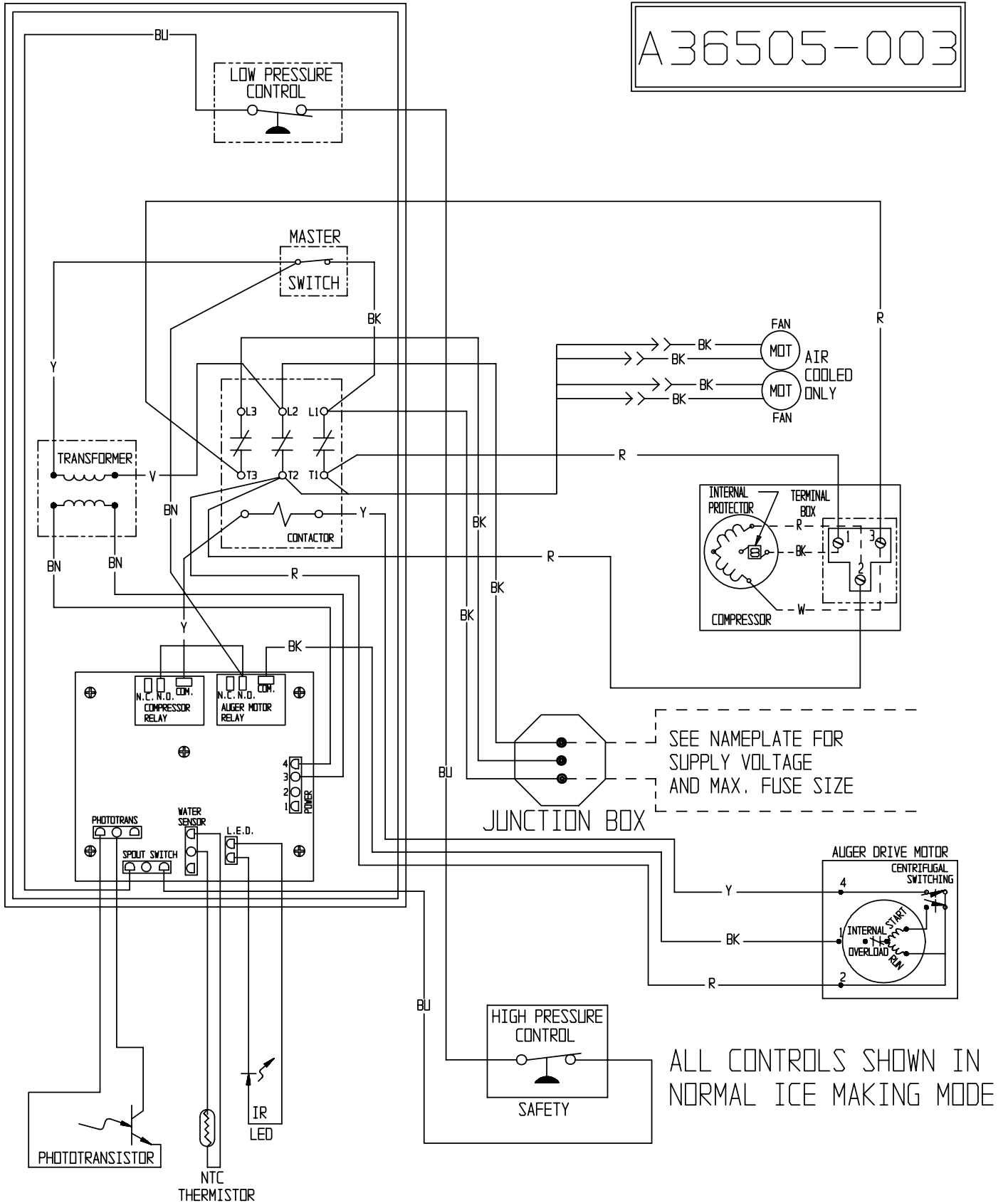
AIR AND WATER COOLED, 208-230/60/3



# NME950 & FME1200 SERVICE PARTS

AIR AND WATER COOLED, 208-230/60/3

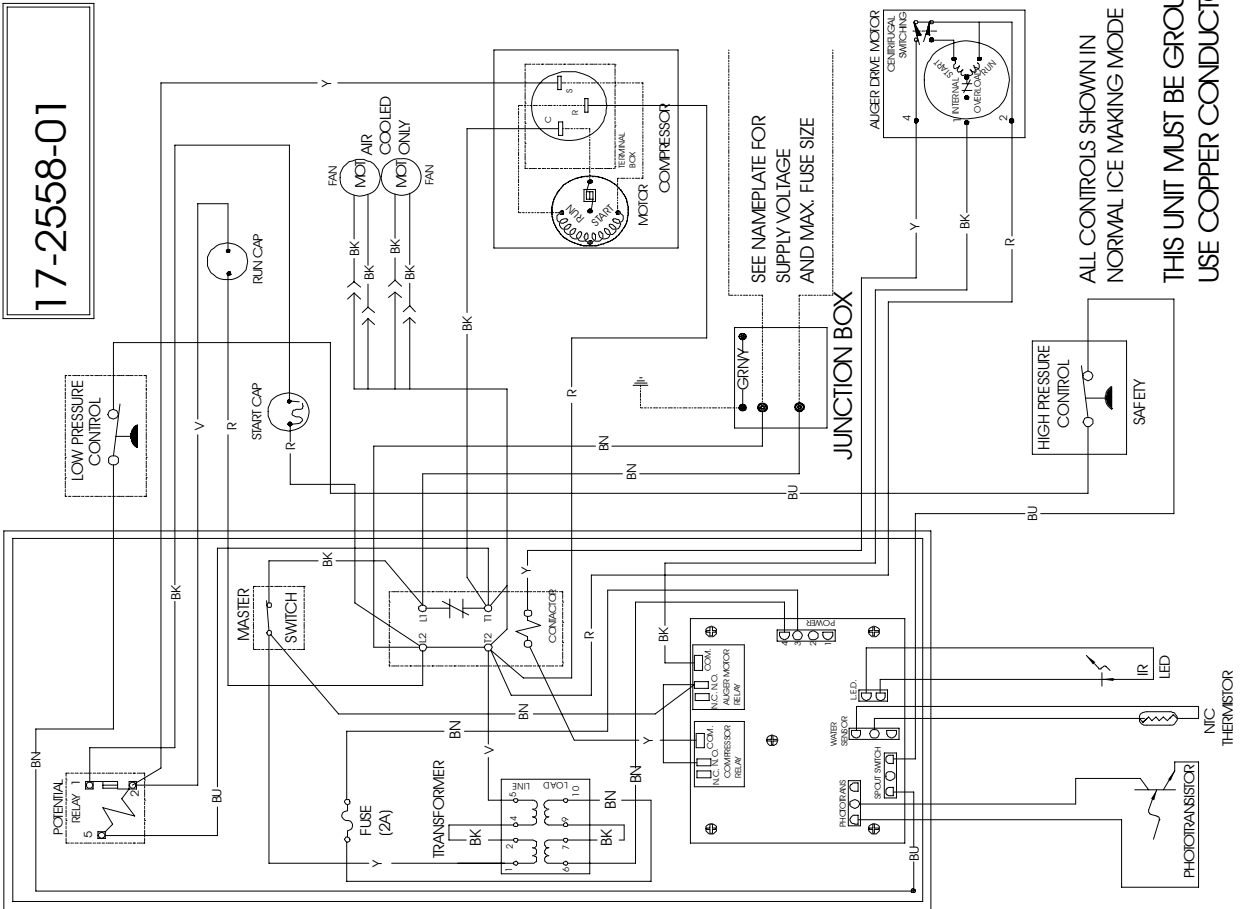
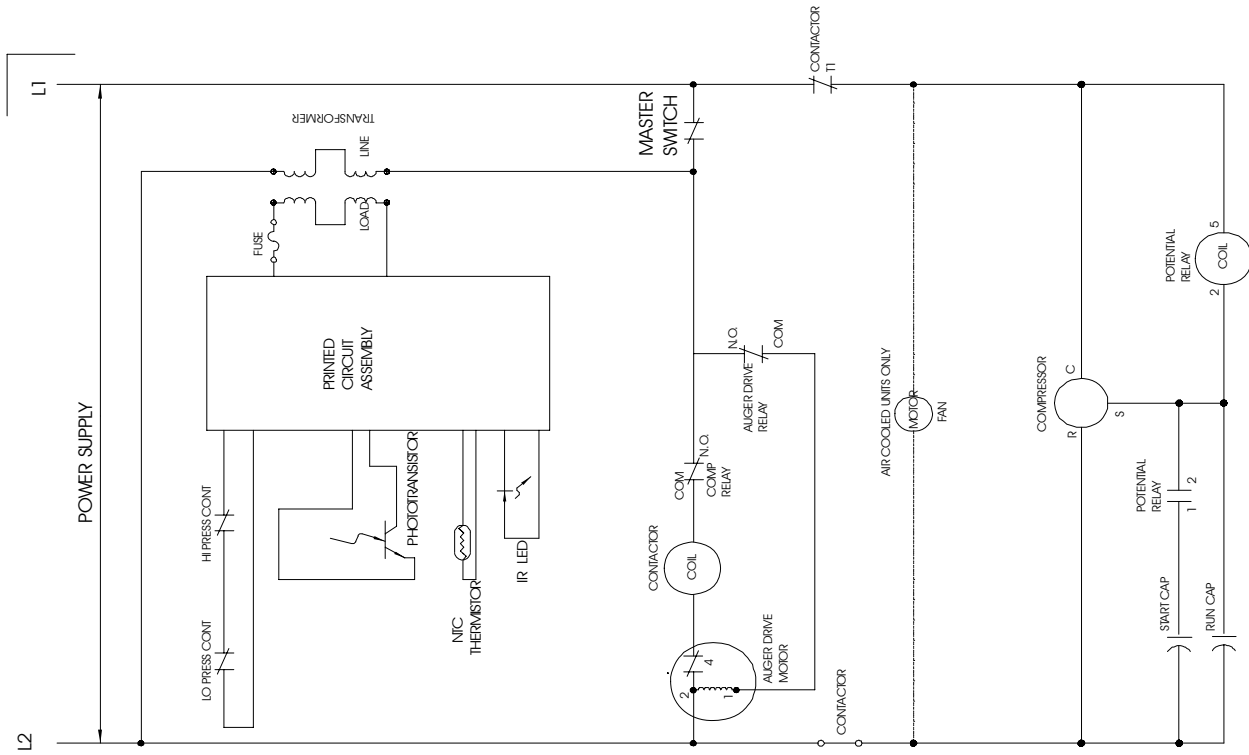
A36505-003



ALL CONTROLS SHOWN IN NORMAL ICE MAKING MODE

# NME950 & FME1200 SERVICE PARTS

## NME950 or FME1200 -6B



17-2558-01

**ALL CONTROLS SHOWN IN  
NORMAL ICE MAKING MODE**

**THIS UNIT MUST BE GROUNDED  
USE COPPER CONDUCTORS ONLY**