

FME1500 SERVICE PARTS

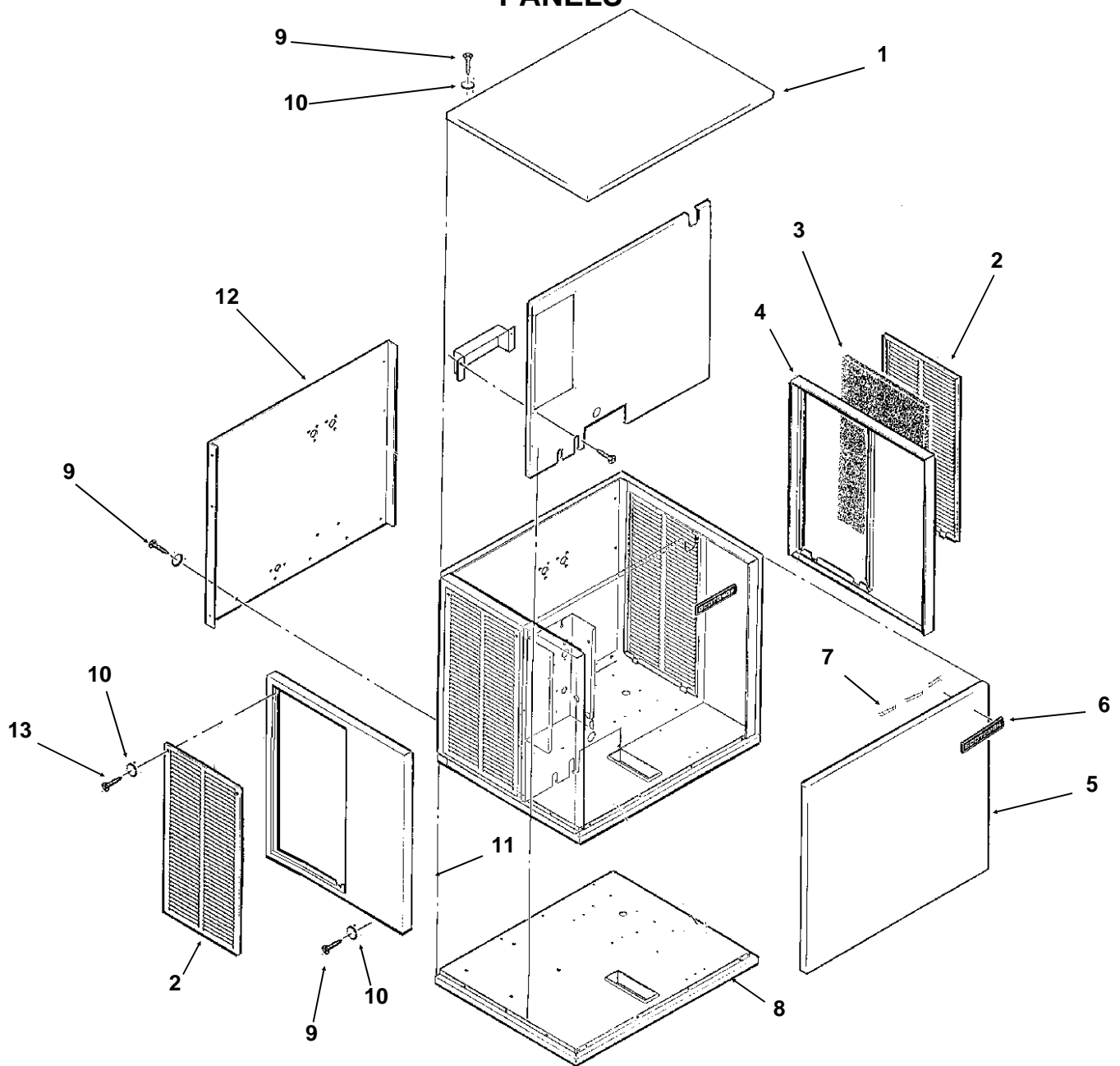
This parts list contains the part numbers and descriptions of the service parts for the FME1500 air and water cooled.

Note: The liquid line filter drier listed in this parts list is designed for this refrigeration system. Premature failure may result if the wrong drier is used.

Table of Contents

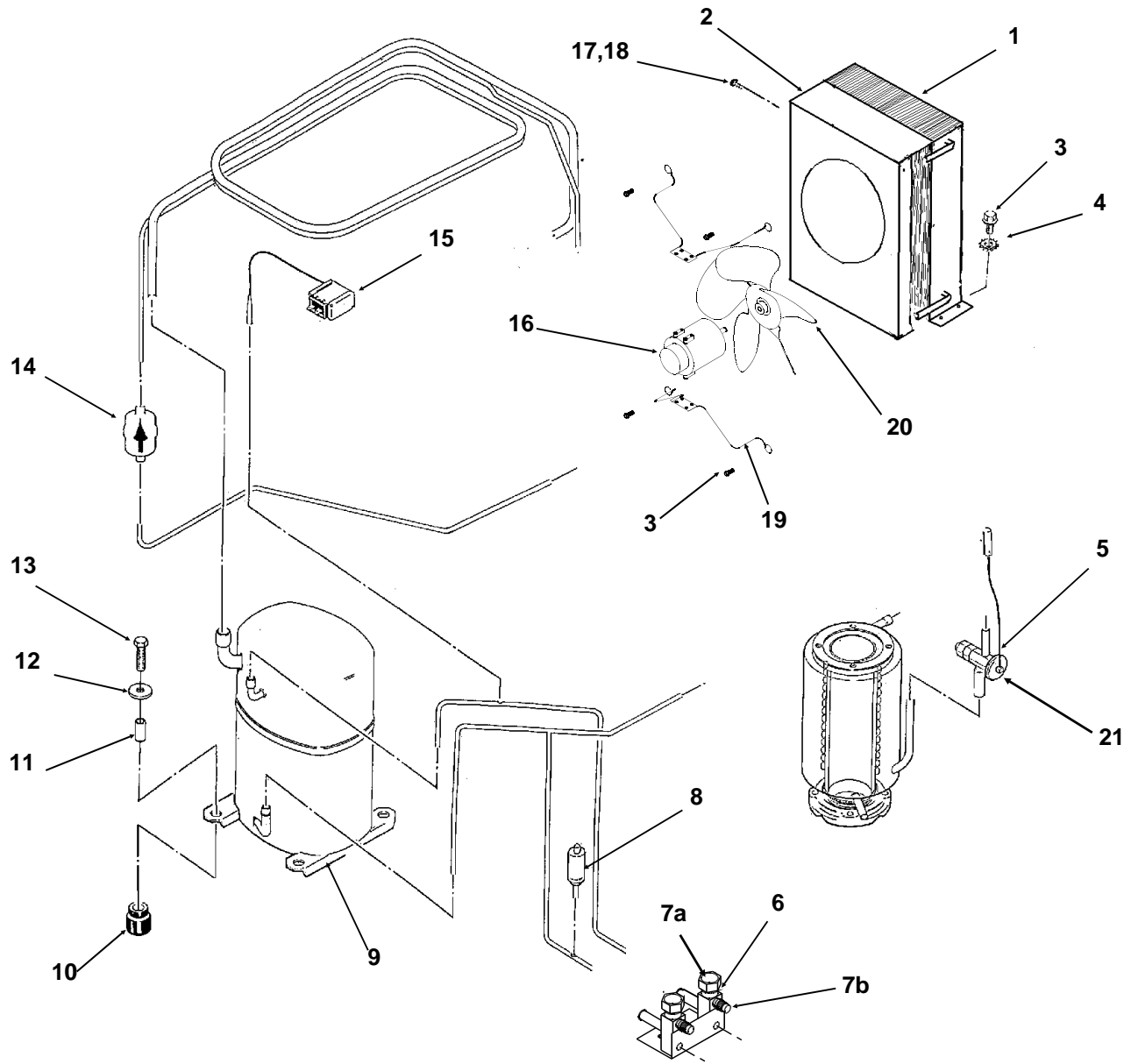
PANELS	2
AIR COOLED REFRIGERATION	3
WATER COOLED REFRIGERATION	4
EVAPORATOR	5
CONTROL BOX	6
GEARMOTOR	7
RESERVOIR, DRAINS, ICE CHUTE, ICE LEVEL SENSORS	8
WIRING DIAGRAMS	9

FME1500 SERVICE PARTS PANELS



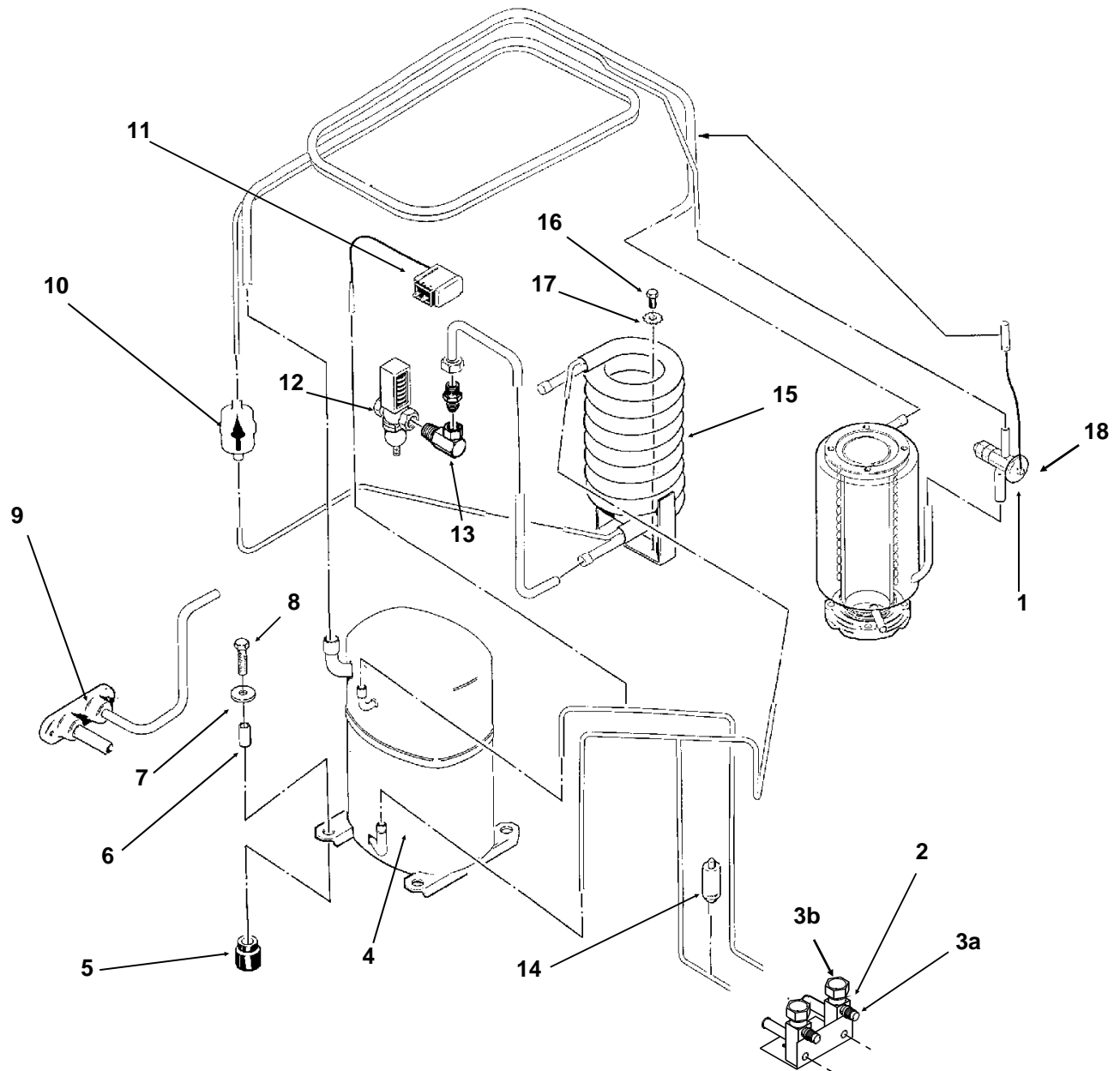
ITEM NUMBER	PART NUMBER	DESCRIPTION	ITEM NUMBER	PART NUMBER	DESCRIPTION
1.	A32159-001	Top Panel sandalwood	6.	15-0808-03	Emblem
	A32159-015	Top panel, gray	7.	03-0271-00	Clip For Emblem (3)
	A32159-002	Top Panel Stainless	8.	A35955-001	Base Assembly
2.	A32161-001	Service Panel sandalwood	9.	03-1531-01	Screw
	A32161-015	Service panel, gray	10.	03-1417-27	Washer
	A33946-002	Service Panel for S.S.	11.	A32163-001	Left End Panel sandalwood
3.	A32975-001	Filter (air cooled only)		A32163-015	Left end panel, gray
4.	A32162-001	Right End Panel s-wood		A32163-002	Left End Panel S.S.
	A32162-015	Right end panel, gray	12.	A32202-001	Back Panel - sandalwood
	A32162-002	Right End Panel S.S.		A32202-002	Back panel - SS
5.	A32160-001	Front Panel sandalwood		A32202-015	Back panel, gray
	A32160-015	Front panel, gray	13.	03-1404-12	Screw
	A32160-002	Front Panel S.S.			

FME1500 SERVICE PARTS AIR COOLED REFRIGERATION



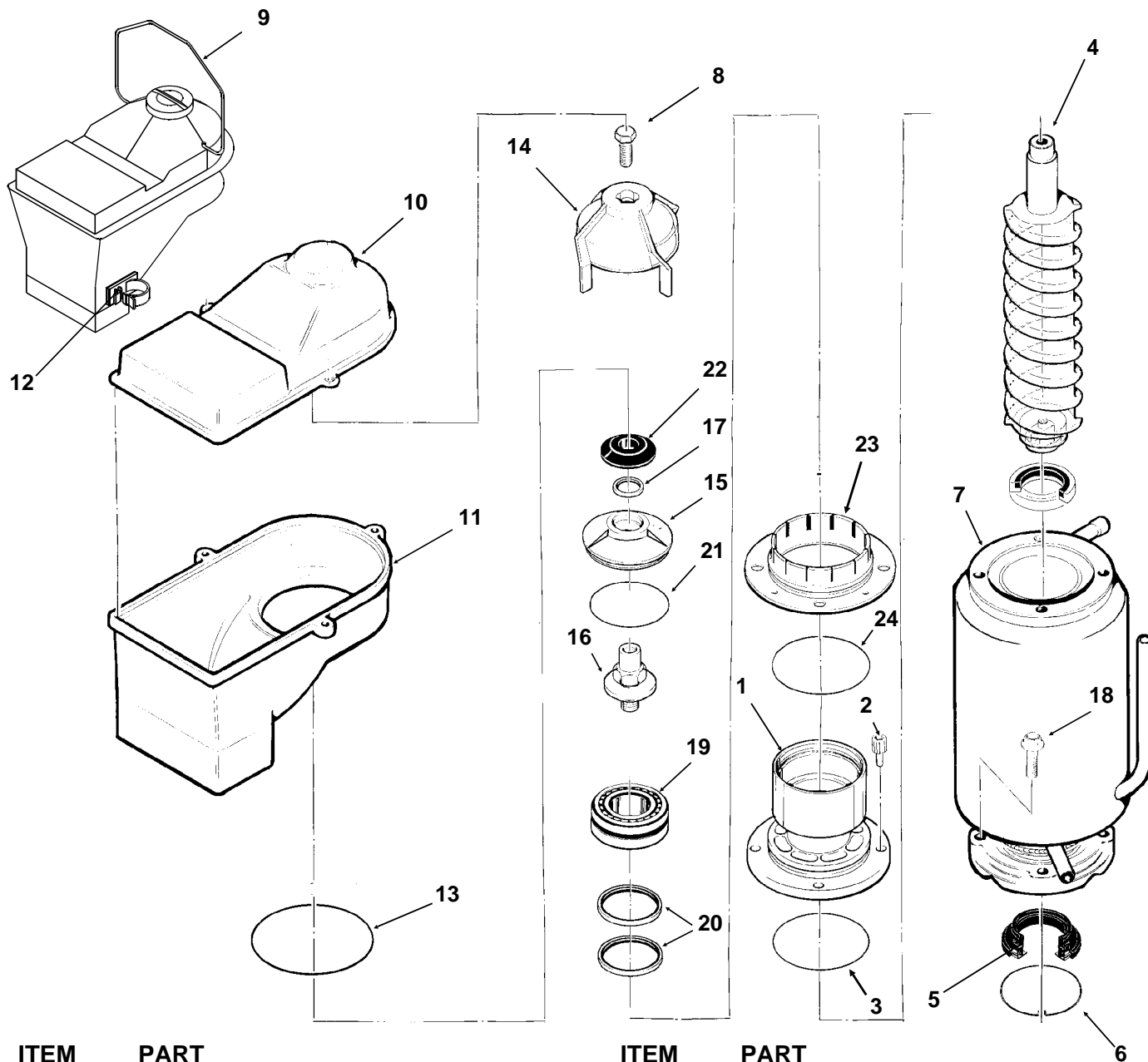
ITEM NUMBER	PART NUMBER	DESCRIPTION	ITEM NUMBER	PART NUMBER	DESCRIPTION
1.	18-8733-01	Air Cooled Conden.	10.	18-2200-28	Grommet
2.	A35717-001	Shroud	11.	18-2200-27	Sleeve
3.	03-1645-01	Bolt	12.	03-1407-07	Washer
4.	03-1417-09	Washer	13.	03-1405-20	Bolt
5.	11-0482-21	Expansion Valve	14.	02-3319-02	Drier
6.	16-0832-20	Access valve	15.	11-0447-20	L. P. Control
7a.	16-0832-02	Stem cap	16.	18-5105-02	Fan Motor
7b.	16-0832-03	Core cap		03-1531-08	Screws, motor to bracket
8.	11-0485-21	Pressure Control	17.	03-1404-03	Screw
9.	18-8726-23	208-230/60/1 Comp. w/drier This compressor has an internal overload.	18.	03-1417-27	Washer
			19.	02-3333-01	Fan Motor Bracket
			20.	18-3732-01	Fan Blade
			21.	A32961-020	Insulation for TXV

FME1500 SERVICE PARTS WATER COOLED REFRIGERATION



ITEM NUMBER	PART NUMBER	DESCRIPTION	ITEM NUMBER	PART NUMBER	DESCRIPTION
1.	11-0482-21	Expansion Valve	8.	03-1405-20	Bolt
2.	16-0832-20	Access valve	9.	A32892-001	Drain
3a.	16-0832-03	Core cap	10.	02-3319-02	Drier
3b.	16-0832-02	Stem cap	11.	11-0447-20	Lo Press. Control
4.	18-8726-23	Compressor 208-230/60/1 Includes drier, Overload is internal	12.	11-0478-01	Water Reg. Valve
5.	18-2200-28	Grommet	13.	16-0401-02	Elbow
6.	18-2200-27	Sleeve	14.	11-0485-21	Pressure Control
7.	03-1407-07	Washer	15.	18-6900-25	Water Cooled Condenser
			16.	03-1645-01	Screw
			17.	03-1417-09	Washer
			18.	A32961-020	Insulation for TXV

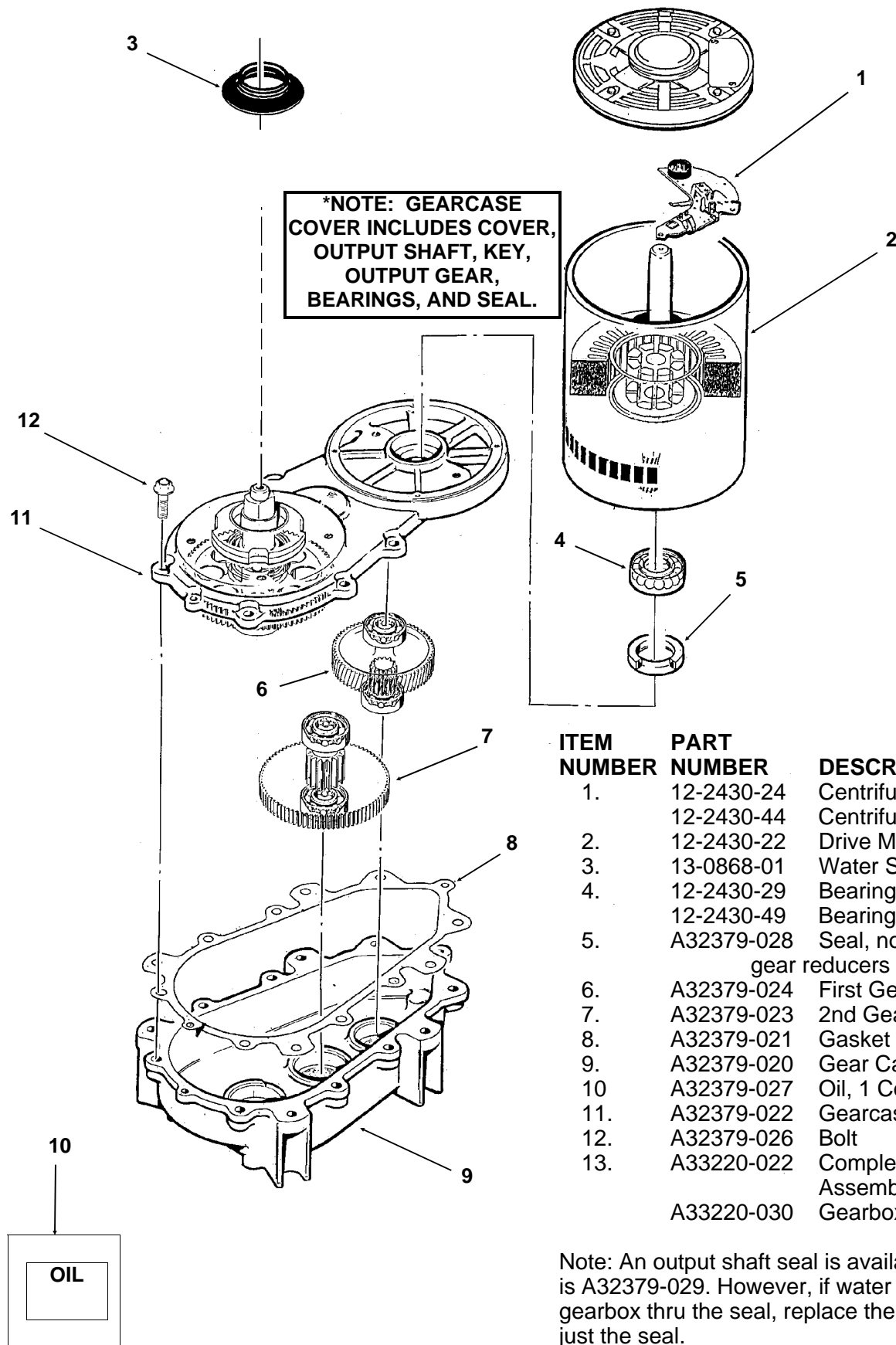
FME1500 SERVICE PARTS EVAPORATOR



ITEM NUMBER	PART NUMBER	DESCRIPTION	ITEM NUMBER	PART NUMBER	DESCRIPTION
1.	A34505-020	Breaker Includes Items 19 & 20	12.	02-3268-01	Drain hose clip
2.	03-1544-08	Soc. head Screw	13.	13-0617-52	O-ring
3.	13-0617-45	O-ring	14.	02-3001-01	Ice Sweep
4.	A38071-022	Auger	15.	02-3128-20	Breaker Cover
5.	02-0929-23	Water Seal	16.	08-0660-01	Auger Stud
6.	A32777-001	Ring, Water Seal	17.	02-2978-01	Lip Seal
7.	A32890-020	Evaporator	18.	03-1420-03	Cap screw
8.	03-1405-52	Hex Cap Screw	19.	A34559-020	Bearing
9.	A34969-001	Bail clamp	20.	02-2977-01	Lip Seal
10.	02-2930-04	Ice Chute Cover	21.	13-0617-54	O-Ring
11.	02-3841-01	Ice Chute Body	22.	13-0871-01	Water Shed
			23.	02-2916-01	Slotted collar
			24.	13-0617-49	O-ring

Note: Evaporator is not available assembled with internal parts.

FME1500 SERVICE PARTS GEARMOTOR

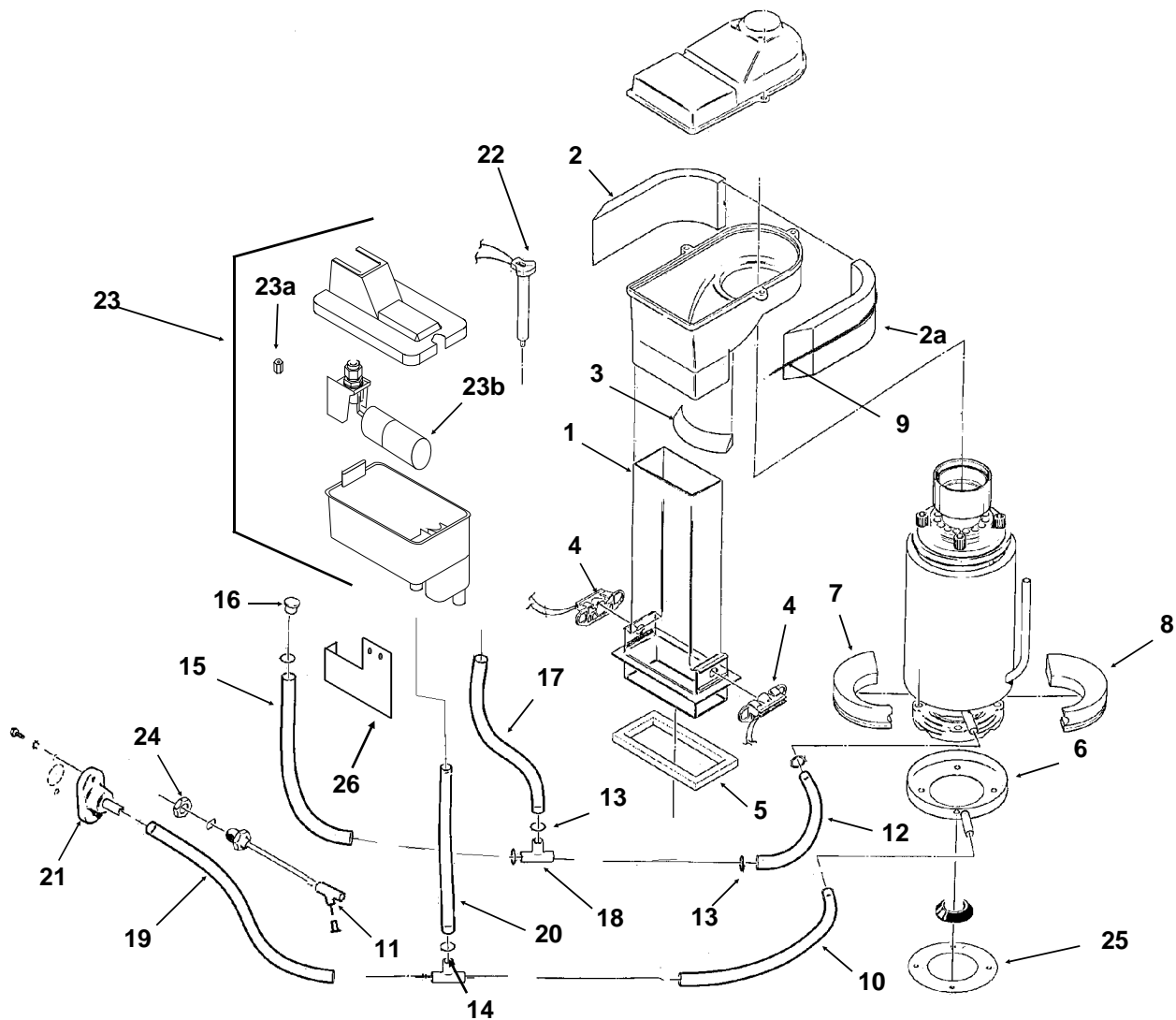


ITEM NUMBER	PART NUMBER	DESCRIPTION
1.	12-2430-24	Centrifugal Switch, Emerson
	12-2430-44	Centrifugal sw, GE split phase
2.	12-2430-22	Drive Motor 208-230 v
3.	13-0868-01	Water Shed.
4.	12-2430-29	Bearing, Emerson
	12-2430-49	Bearing, GE split phase
5.	A32379-028	Seal, not used on replacement gear reducers or covers after 2/2000
6.	A32379-024	First Gear & Bearing
7.	A32379-023	2nd Gear & Bearing
8.	A32379-021	Gasket
9.	A32379-020	Gear Case
10.	A32379-027	Oil, 1 Container
11.	A32379-022	Gearcase Cover*
12.	A32379-026	Bolt
13.	A33220-022	Complete Gearmotor Assembly. 208-230 v.
	A33220-030	Gearbox kit, no motor

Note: An output shaft seal is available, the part number is A32379-029. However, if water has entered the gearbox thru the seal, replace the gearcase cover, not just the seal.

FME1500 SERVICE PARTS

RESERVOIR, DRAINS, ICE CHUTE, ICE LEVEL SENSORS



ITEM NUMBER	PART NUMBER	DESCRIPTION	ITEM NUMBER	PART NUMBER	DESCRIPTION
1.	02-2929-04	Ice Chute Lower	16.	13-0840-01	Plug
2.	A32963-002	Insulation collar top	17.	13-0674-06	Tube, 9" Order By Ft.
2a	A32963-001	Insulation collar, top	18.	16-0670-02	Tee
3.	A33102-001	Insulation Collar Inside	19.	13-0079-03	Tube, 18" Order By Ft.
4.	A37708-021	Ice level sensor set	20.	13-0079-03	Tube, 12" Order By Ft.
5.	A32930-001	Chute Gasket	21.	02-3692-22	Drain - Air Cooled
6.	A32050-001	Drip Pan		A32892-001	Drain - Water Cooled
7.	A32962-001	Insulation Collar Bottom	22.	A33101-022	Thermo Probe
8.	A32962-002	Insulation Collar Bottom	23.	02-3266-20	Float & Reservoir complete
9.	A35419-020	Strap kit	23a	02-3266-03	Seat/plunger
10.	13-0079-03	Hose 9" Order By Ft.	23b	02-3266-21	Float valve
11.	16-0162-00	Strainer	24.	03-1394-01	Pal Nut
12.	A33203-001	Preformed Hose	25.	13-0704-00	Drip pan gasket
13.	02-2814-08	Hose Clamp	26	.A35956-001	Reservoir bracket
14.	16-0670-01	Tee			
15.	13-0674-06	Tube, 11" Order By Ft.			

FME1500 SERVICE PARTS

AIR AND WATER COOLED, 208-230/60/1

