

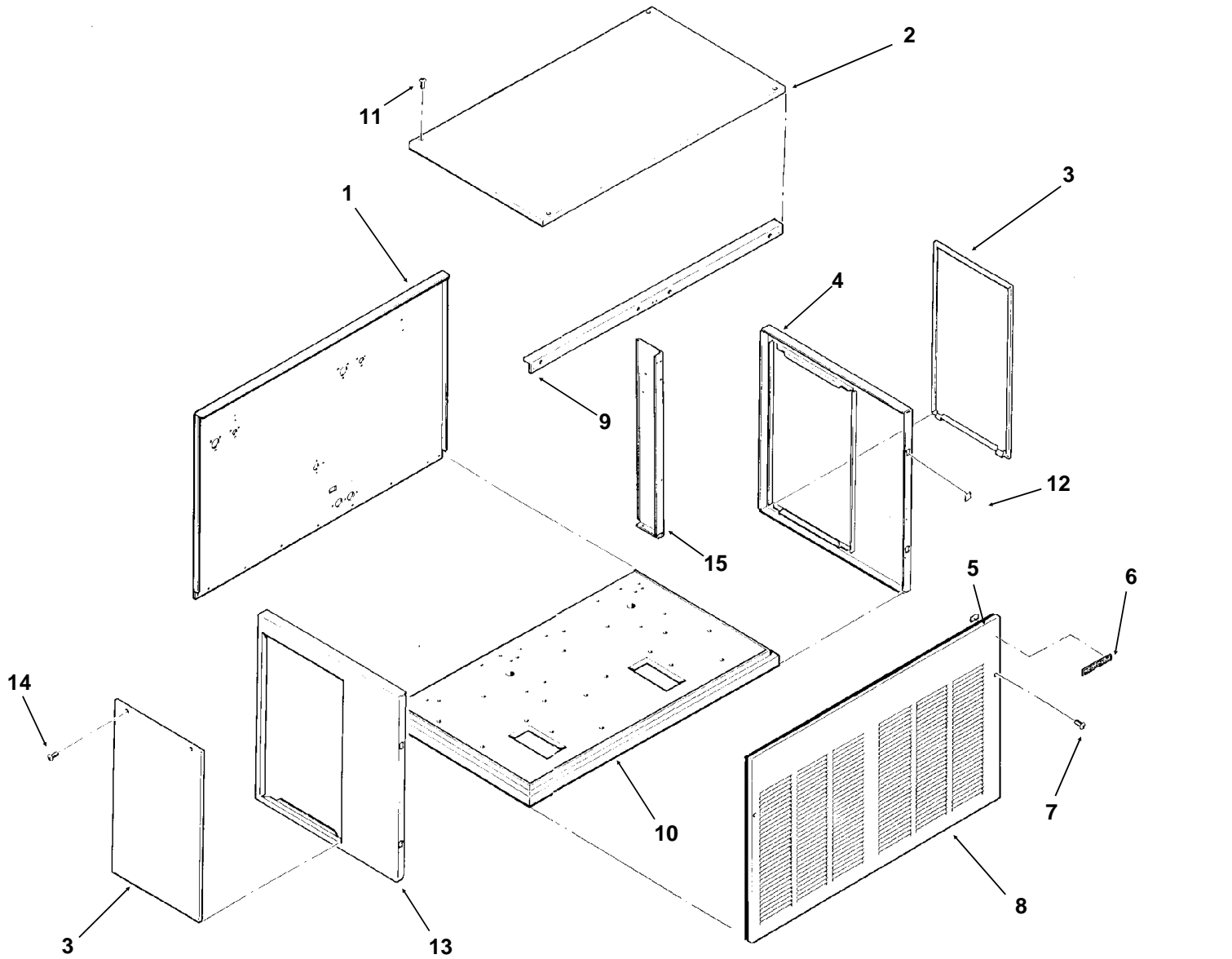
# Double System RL SERVICE PARTS

This parts list contains the service parts and wiring diagrams for this model. Check the model number of the machine requiring the parts to be sure that this is the correct parts list.

## TABLE OF CONTENTS

Cabinet Assembly .....	Page 2
Water System.....	Page 3
Refrigeration System.....	Page 4
Evaporator, FM/FME units .....	Page 5
Evaporator, NM/NME units .....	Page 6
Gearmotor.....	Page 7
Control Box.....	Page 8
Wiring Diagrams .....	Page 9

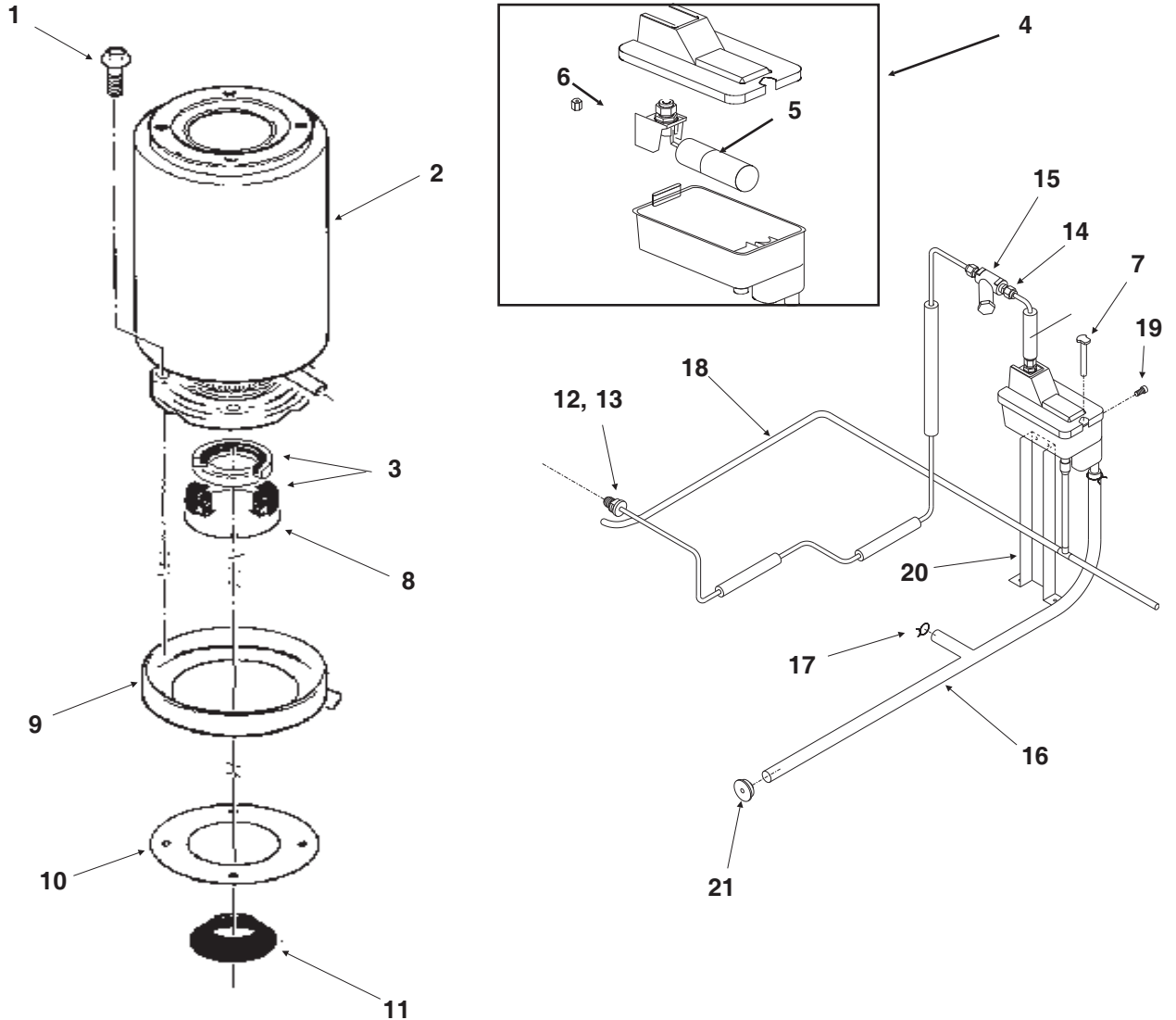
# Double System RL SERVICE PARTS Cabinet



ITEM NUMBER	PART NUMBER	DESCRIPTION	ITEM NUMBER	PART NUMBER	DESCRIPTION
1	A34283-001	Back Panel, sandalwood	8	A34294-001	Front Panel, sandalwood
	A34283-015	Back panel, gray		A34294-015	Front panel, gray
	A34283-002	Backpanel, ss		A34294-002	Front Panel, S.S.
2	A32461-001	Top Panel, sandalwood	9	A34287-015	Support GRAY
	A32461-015	Top panel, gray	10	A35593-001	Base
	A32461-002	Top Panel, S.S.	11	03-1531-01	Screw
3	A34038-001	Service Panel, sandalwood	12	02-0836-00	Catch
	A34038-015	Service panel, gray	13	A32435-001	Left Side Panel, sandalwood
	A34038-002	Service Panel, S.S.		A32435-015	Left side panel, gray
4	A33292-001	Right Side Panel, sandalwood		A32435-002	Left Side Panel, S.S.
	A33292-015	Right side panel, gray	14	03-1404-12	Screw
	A33292-002	Right Side Panel, S.S.	15.	A34286-001	Center Support
5	03-0271-00	Speed Clip			
6	15-0711-01	Emblem, sandalwood			
	15-0808-01	Emblem, grey			
7	03-1419-22	Screw			

# Double System RL SERVICE PARTS

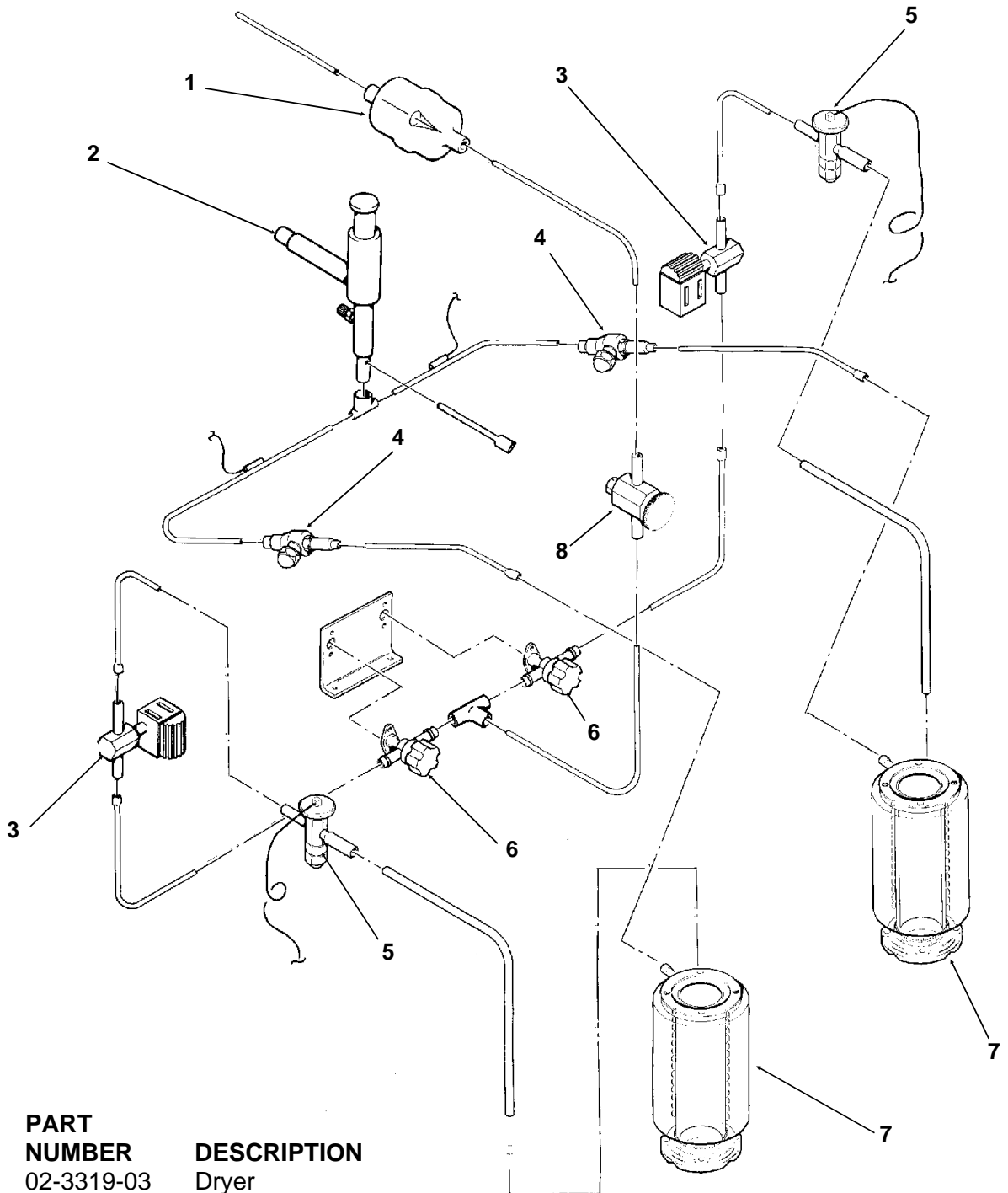
## Water System



ITEM NUMBER	PART NUMBER	DESCRIPTION	ITEM NUMBER	PART NUMBER	DESCRIPTION
1	03-1405-41	Cap Screw	15	16-0162-00	Strainer - not used after 11/97
2	A32890-020	Evaporator	16	A36154-001	Evap. water inlet tube
3	02-0929-23	Water Seal	17	02-1338-00	Hose clamp
4	02-3266-01	Reservoir & valve	18	13-0079-03	Res. overflow hose
5	02-3266-02	Float valve	19	03-1639-03	Screw
6	02-3266-03	Plunger/seat	20	A36078-002	Reservoir bracket
7	A33101-022	Water Level Sensor	21	13-0840-01	Rubber cap
8	A32777-001	Retaining Ring for Seal			
9	02-3837-01	Drip Pan			
10	13-0704-00	Gasket			
11	13-0868-01	Water Shed			
12	A27318-001	Water Inlet Fitting for copper			
13	16-0835-01	Inlet fitting for plastic tubing			
14	03-1394-01	Pal Nut			
	16-0791-01	Coupling union			

# Double System RL SERVICE PARTS

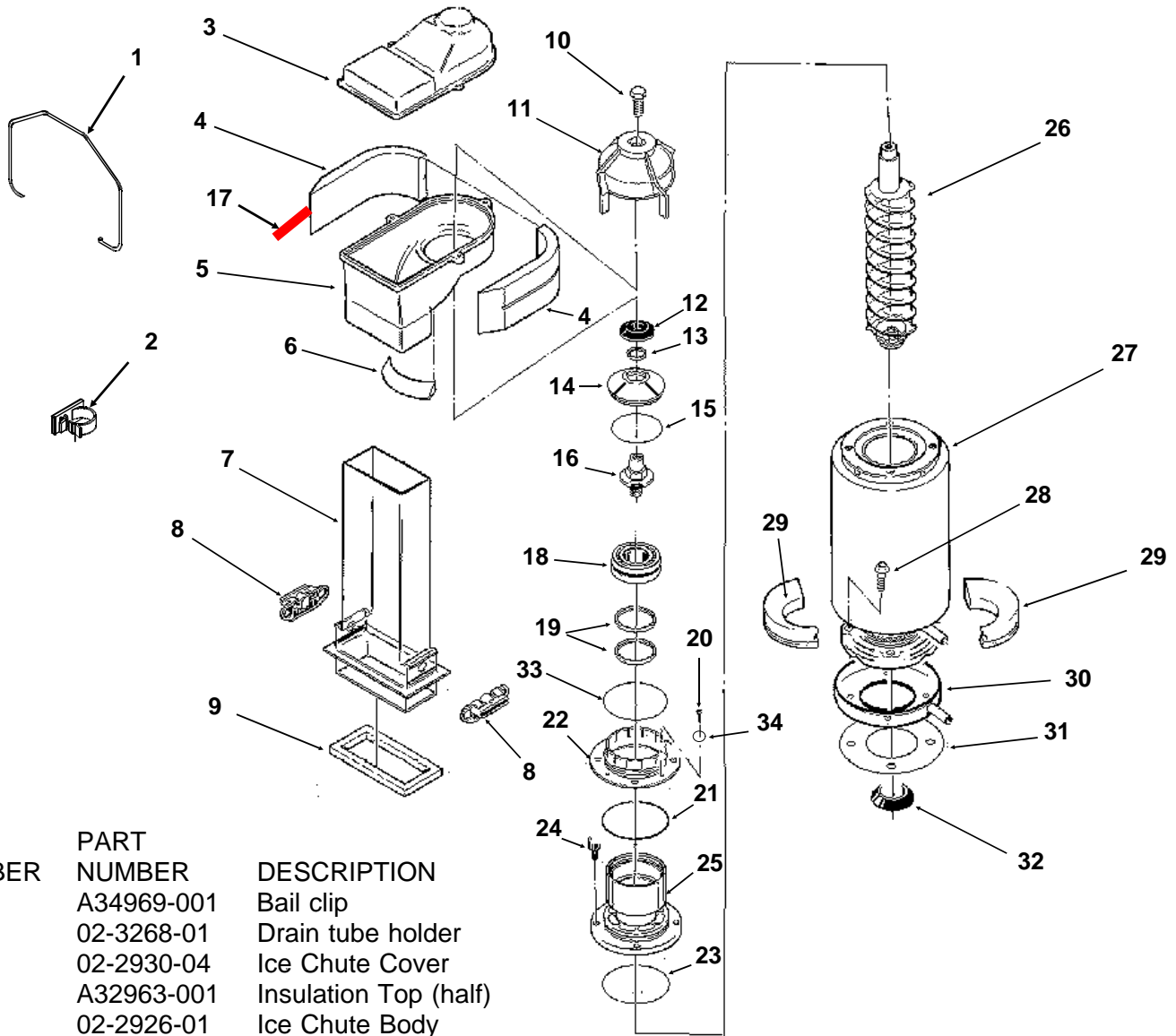
## Refrigeration System



ITEM NUMBER	PART NUMBER	DESCRIPTION
1	02-3319-03	Dryer
2	A32859-001	EPR Valve (used on FME2400 and NME1850)
	A32859-002	EPR Valve (used on FM2402 and NM1852 & FME3000 & NME2500)
	A32858-003	EPR Valve (used on FM3002 and NM2502)
3	12-2135-02	Solenoid Valve
4	11-0548-02	Ball Valve
5	11-0488-21	R-404A Thermostatic Expansion Valve (used on FME2400 and NME1850)
	16-0825-21	R-22 Thermostatic Expansion Valve (used on FM2402 and NM1852)
	11-0482-21	R-404A TXV used on FME3000 & NME2500
	11-0529-21	R-22 TXV used on FM3002 & NM2502
6	A32858-001	Shut Off Valve
7	A32890-020	Evaporator
8	16-0762-02	Sight Glass

# Double System RL SERVICE PARTS

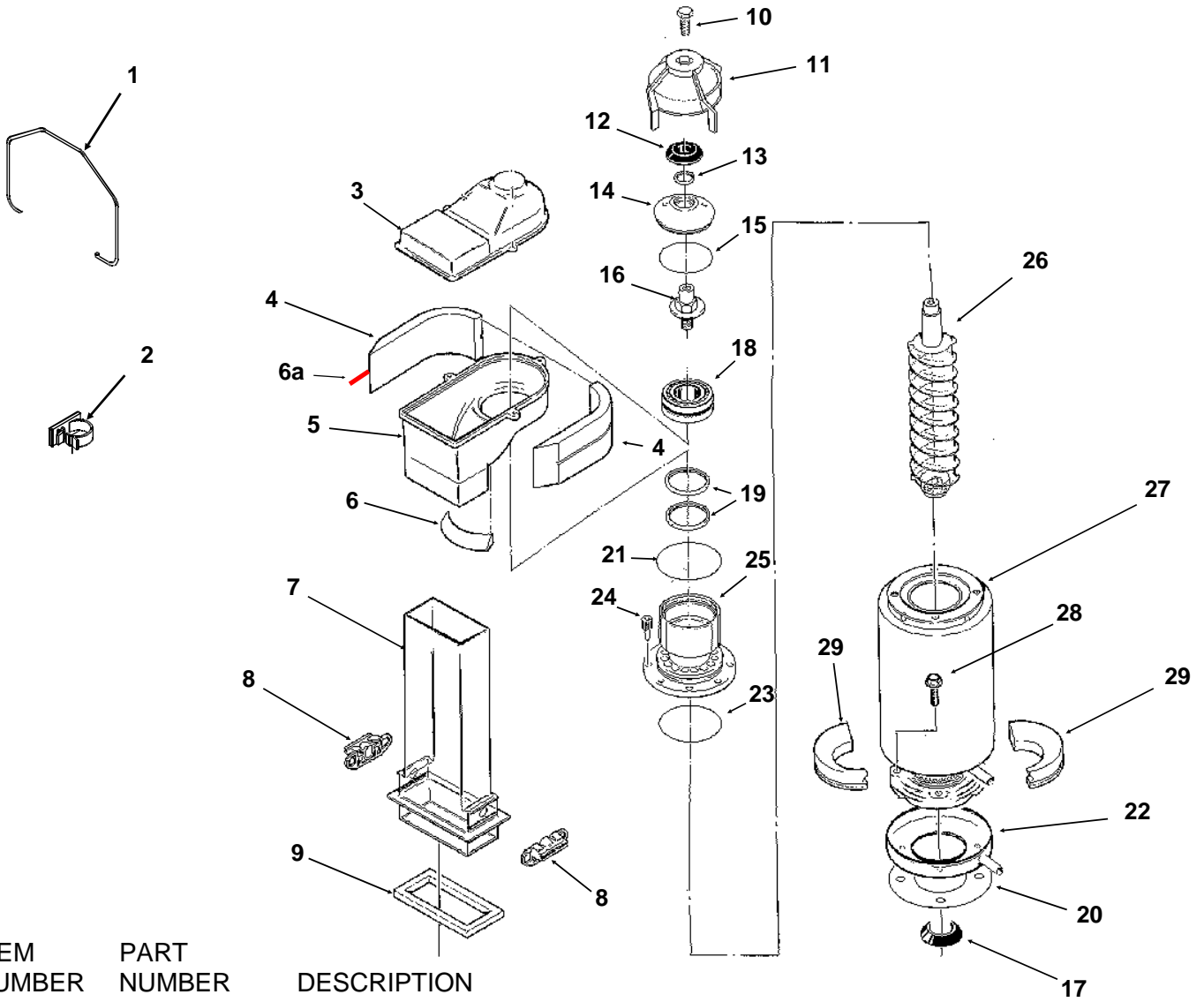
## FM/FME Evaporator, Chute, Bin Controls



ITEM NUMBER	PART NUMBER	DESCRIPTION		
1.	A34969-001	Bail clip		
2.	02-3268-01	Drain tube holder		
3.	02-2930-04	Ice Chute Cover		
4.	A32963-001	Insulation Top (half)		
5.	02-2926-01	Ice Chute Body		
6.	A33102-001	Insulation Collar Inside		
7.	02-2929-04	Ice Chute Lower		
8.	A37708-021	Bin Controls Assy. (set of 2)		
9.	A32930-001	Chute Gasket		
10.	03-1405-52	Hex Cap Screw		
11.	02-3001-01	Ice Sweep		
12.	13-0871-01	Water Shed		
13.	02-2978-01	Lip Seal		
14.	02-3128-20	Breaker Cover		
15.	13-0617-54	O-Ring		
16.	08-0660-01	Auger Stud, thrust Washer		
17.	A35419-020	Strap kit		
18.	A34559-020	Bearing		
19.	02-2977-01	Lip Seal		
20.	03-1405-27	Screw		
		21.	13-0617-52	O-Ring
		22.	02-2916-01	Slotted Collar
		23.	13-0617-45	O-Ring
		24.	03-1544-08	Soc. Head Screw
		25.	A34505-020	Breaker (Divider) (includes 18 & 19)
		26.	A38071-022	Auger
		27.	A32890-020	Evaporator
		28.	03-1405-41	Cap Screw
		29.	A32962-001	Insulation Bot. (half)
		30.	02-3837-01	Drip Pan
		31.	13-0704-00	Drip Pan Gasket
		32.	13-0868-01	Water Shed
		33.	13-0617-49	O-Ring
		34.	03-1408-36	Washer

# Double System RL SERVICE PARTS

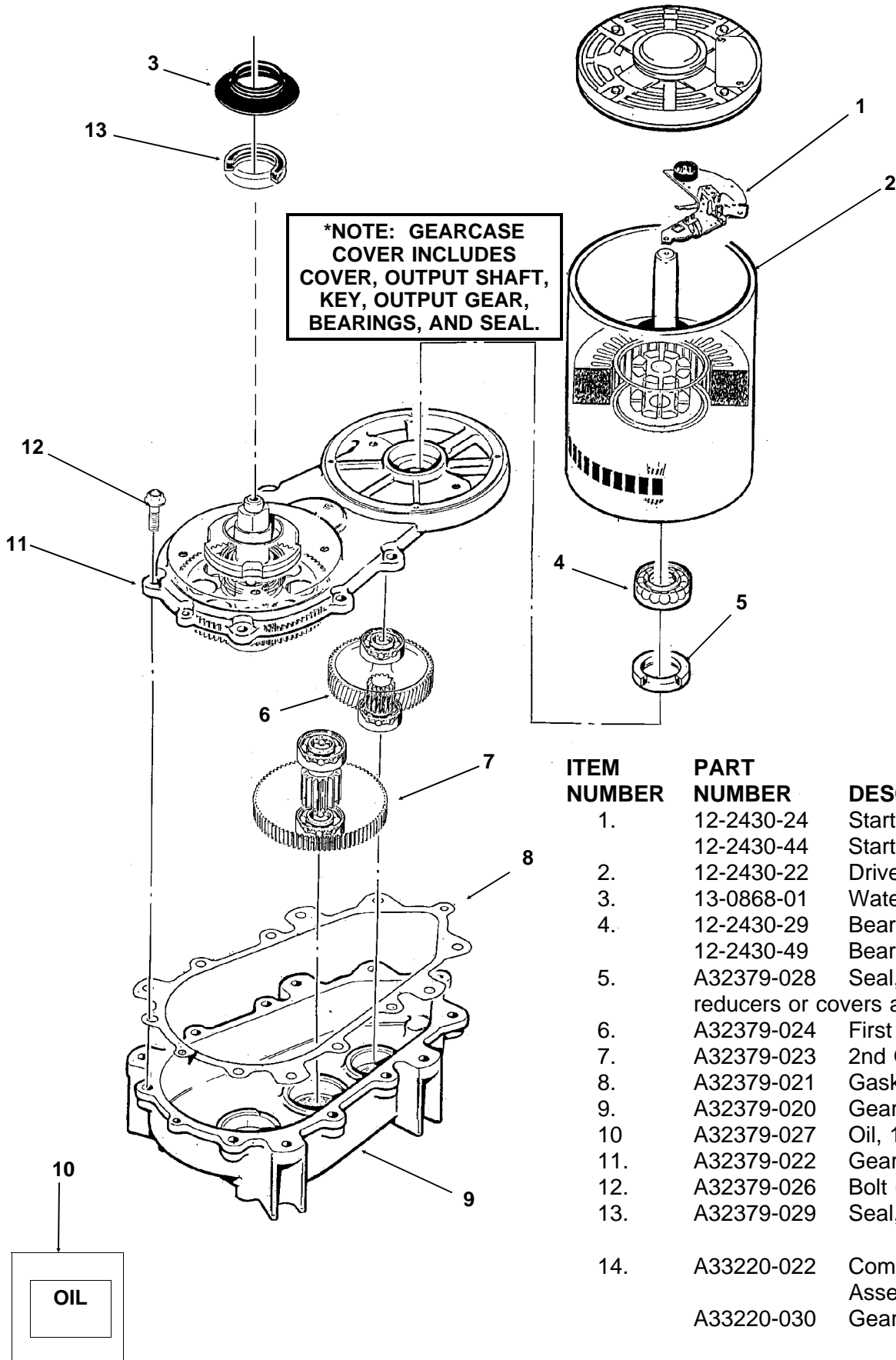
## NM or NME Evaporator



ITEM NUMBER	PART NUMBER	DESCRIPTION
1.	A34969-001	Bail clip
2.	02-3268-01	Drain tube holder
3.	02-2930-04	Ice Chute Cover
4.	A32963-001	Insulation Top (half)
5.	02-2926-01	Ice Chute Body
6.	A33102-001	Insulation Collar Inside
6a	A35419-020	Strap kit
7.	02-2929-04	Ice Chute Lower
8.	A37708-021	Bin Controls Assy. (set of 2)
9.	A32930-001	Chute Gasket
10.	03-1405-52	Hex Cap Screw
11.	02-3001-01	Ice Sweep
12.	13-0871-01	Water Shed
13.	02-2978-01	Lip Seal
14.	02-3128-20	Breaker Cover
15.	13-0617-52	O-Ring
16.	08-0660-01	Auger Stud & washer
17.	13-0868-01	Water Shed
18.	A34559-020	Bearing
19.	02-2977-01	Lip Seal
20.	13-0704-00	Drip Pan Gasket
21.	13-0617-54	O-Ring
22.	02-3837-01	Drip Pan
23.	13-0617-45	O-Ring
24.	03-1544-08	Soc. Head Screw
25.	A32900-020	Breaker (includes 18 & 19)
26.	A38071-022	Auger
27.	A32890-020	Evaporator
28.	03-1405-41	Cap Screw
29.	A32962-001	Insulation Bot. (half)

# Double System RL SERVICE PARTS

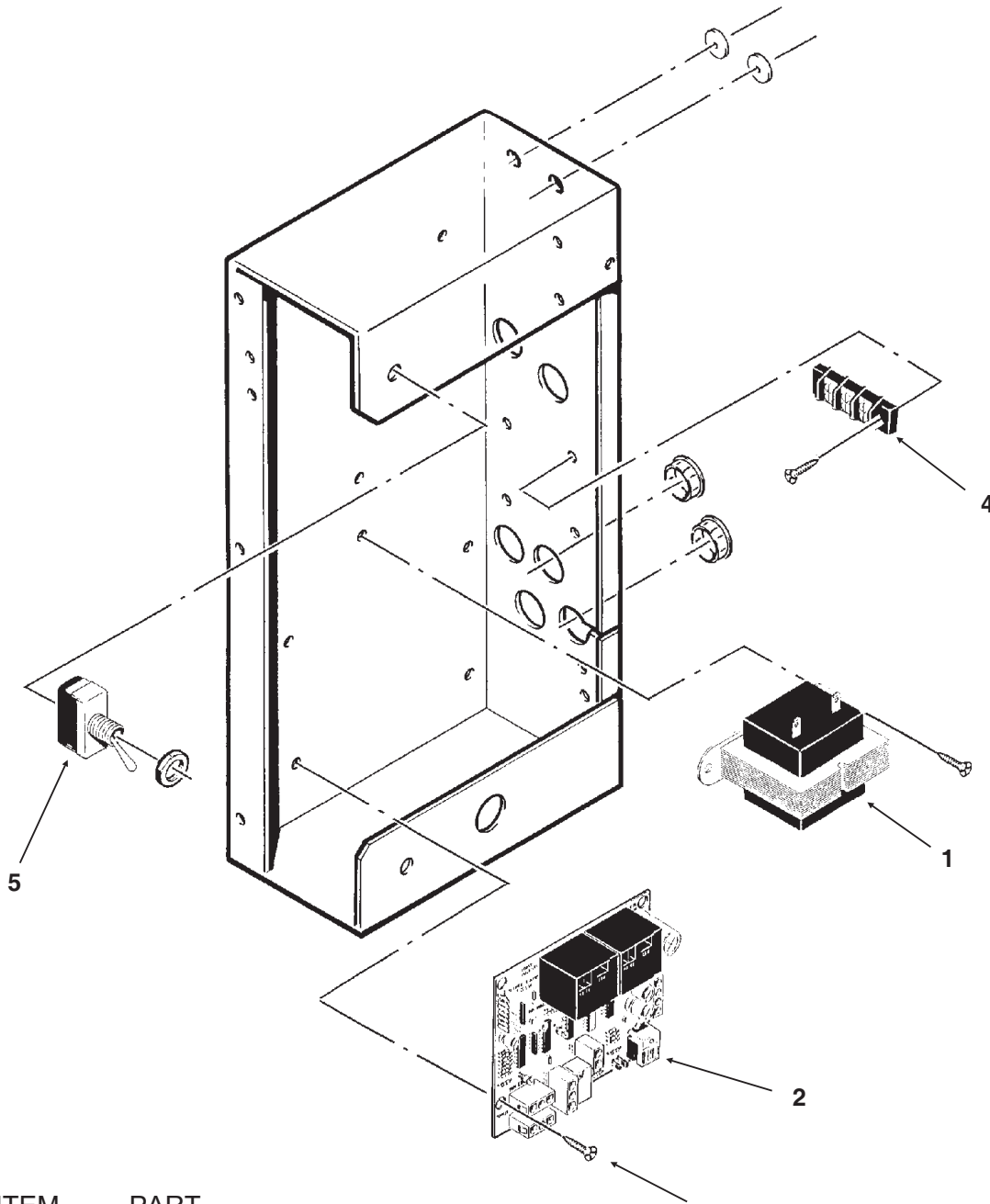
## Gearmotor



ITEM NUMBER	PART NUMBER	DESCRIPTION
1.	12-2430-24	Start switch, Emerson
	12-2430-44	Start switch, GE split phase
2.	12-2430-22	Drive Motor 208-230 v
3.	13-0868-01	Water Shed.
4.	12-2430-29	Bearing - Emerson
	12-2430-49	Bearing - GE split phase
5.	A32379-028	Seal, not used on gear reducers or covers after 2/2000
6.	A32379-024	First Gear & Bearing
7.	A32379-023	2nd Gear & Bearing
8.	A32379-021	Gasket
9.	A32379-020	Gear Case
10.	A32379-027	Oil, 1 Container
11.	A32379-022	Gearcase Cover*
12.	A32379-026	Bolt (6)
13.	A32379-029	Seal, Output
14.	A33220-022	Complete Gearmotor Assembly. 208-230 v.
	A33220-030	Gearcase kit, no motor

# Double System RL SERVICE PARTS

## Control Box



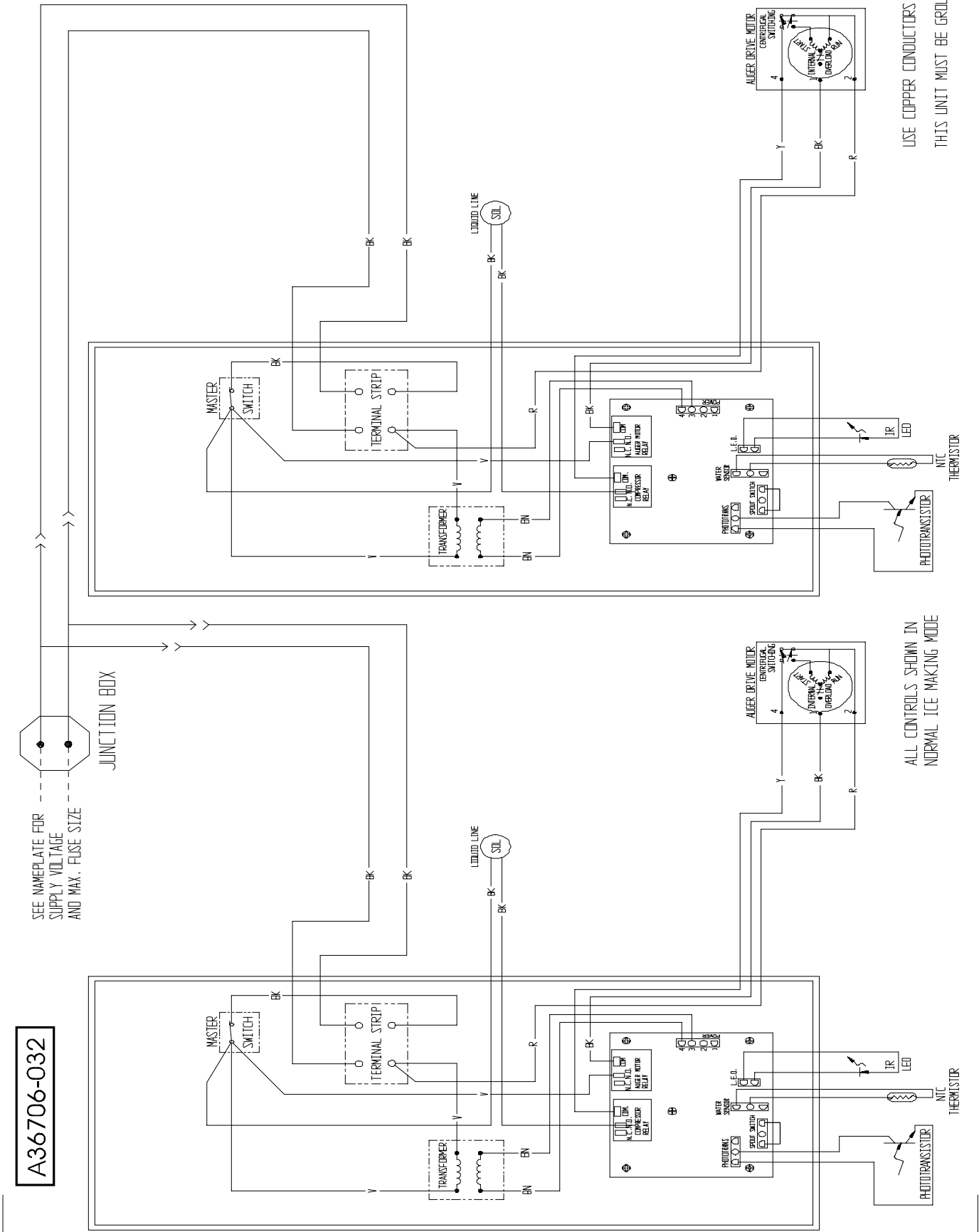
ITEM NUMBER	PART NUMBER	DESCRIPTION
1	12-2285-22	Transformer
2	A37750-022	Circuit Board
3	12-2350-01	Stand off
4	12-0813-04	Terminal Strip
5	12-0426-01	Master Switch

Not Illustrated:

6	12-2340-01	Wire harness to transformer
7	A34055-001	Control Box Cover



# Double System RL SERVICE PARTS Wiring Diagram



A36706-032

SEE NAMEPLATE FOR  
SUPPLY VOLTAGE  
AND MAX. FUSE SIZE

JUNCTION BOX

USE COPPER CONDUCTORS ONLY  
THIS UNIT MUST BE GROUNDED

ALL CONTROLS SHOWN IN  
NORMAL ICE MAKING MODE

# Double System RL SERVICE PARTS

## Schematic Diagram

