

SCCG50 & SCCP50 Service Parts

This is the illustrated parts list for the SCCG50M and the SCCP50M Residential Ice Machines

When ordering a service part, always refer to the complete model number of the equipment being repaired to be sure of obtaining the correct part. Many times there are slight differences between models, and having the complete model number will aide in selecting the correct part.

The condenser fan motor, fan blade, fan motor brackets and condenser shroud changed in August 2009. The model number also changed to an A series: SCCG50MA-1. and SCCP50MA-1

Painted models were discontinued in 2013.

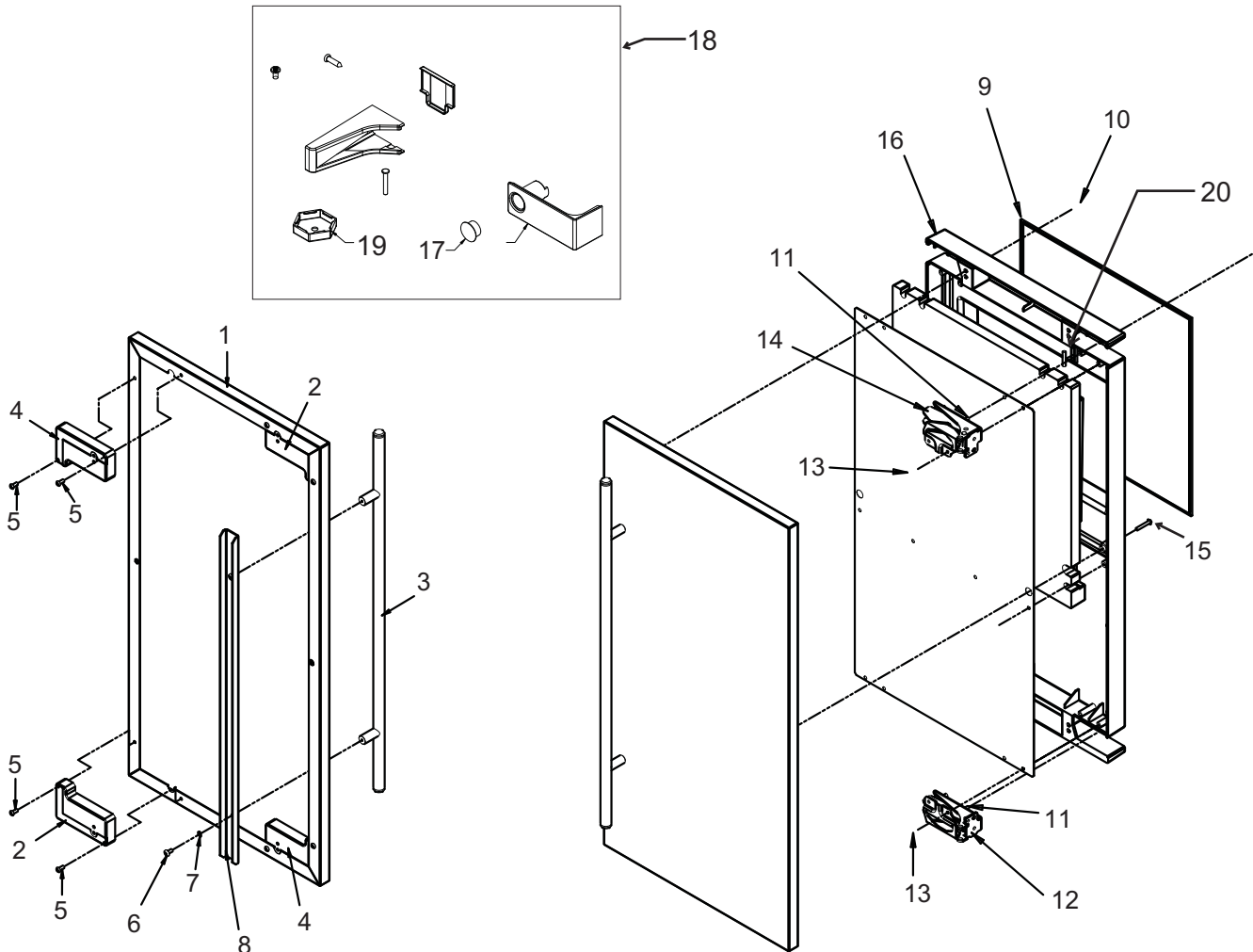
Cabinet changed November 2014 to add service panel.

Table of Contents

Door	Page 2
Cabinet	Page 3
Reservoir and Spray Pump	Page 4
Refrigeration	Page 5
Under Bin Parts	Page 6
Control System	Page 7
Schematic Diagram	Page 8
Wiring Diagram	Page 9

SCCG50 & SCCP50 Service Parts

Door

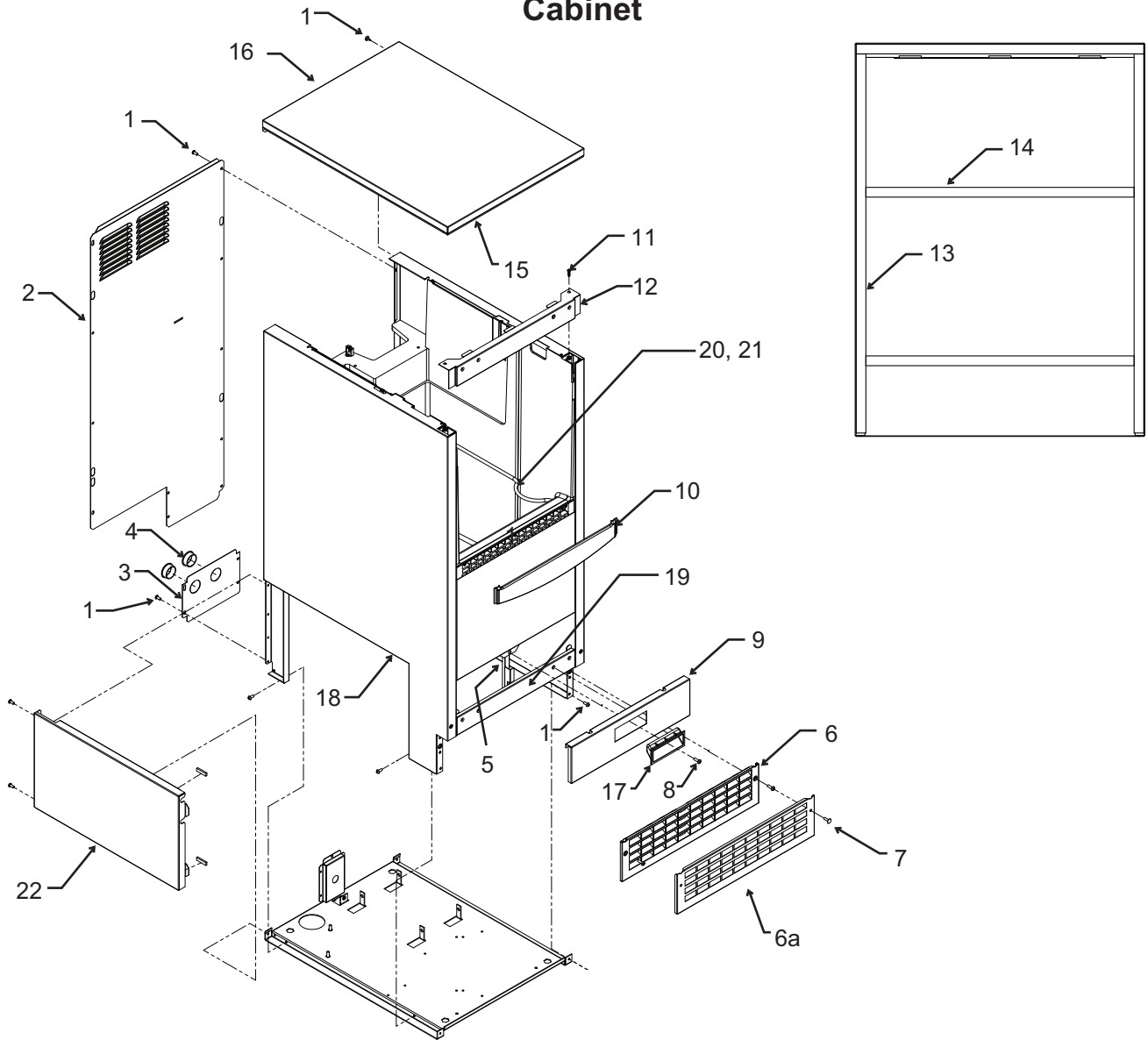


Items 17 and 19 included with item 18, package shipped loose in bin.

Item Number	Part Number	Description
1		Door panel kits. Kits include items 1 thru 8.
	KDFW	White panel, white handle
	KDFWS	White panel, SS handle
	KDFB	Black panel, black handle
	kDFBS	Black panel, SS handle
	KDFS	SS panel, SS handle
2	02-4433-01	Corner block, RH
3	02-4430-42	Handle, white
	02-4430-52	Handle, black
	02-4430-01	Handle, SS
4	02-4433-02	Corner block, LH
5	03-1531-01	Screw
6	03-3811-01	Screw
7	03-1410-07	Lockwasher
8	A39390-001	Support bracket
9	13-0949-03	Door gasket
10	03-1404-40	Screw
11	03-3818-01	Screw - hinge to cabinet
12	02-3866-04	Hinge - top left/bottom right
13	03-1404-24	Screw - hinge to door
14	02-3866-03	Hinge
15	03-1403-67	Screw
16	A39513-001	Door assembly, does not include door panel or hinges
17	02-1875-07	Hole plug
18	02-4474-01	Hinge package
19	02-4415-20	Leg cap, pack of 4
20	11-0580-01	Magnet, door switch

SCCG50 & SCCP50 Service Parts

Cabinet



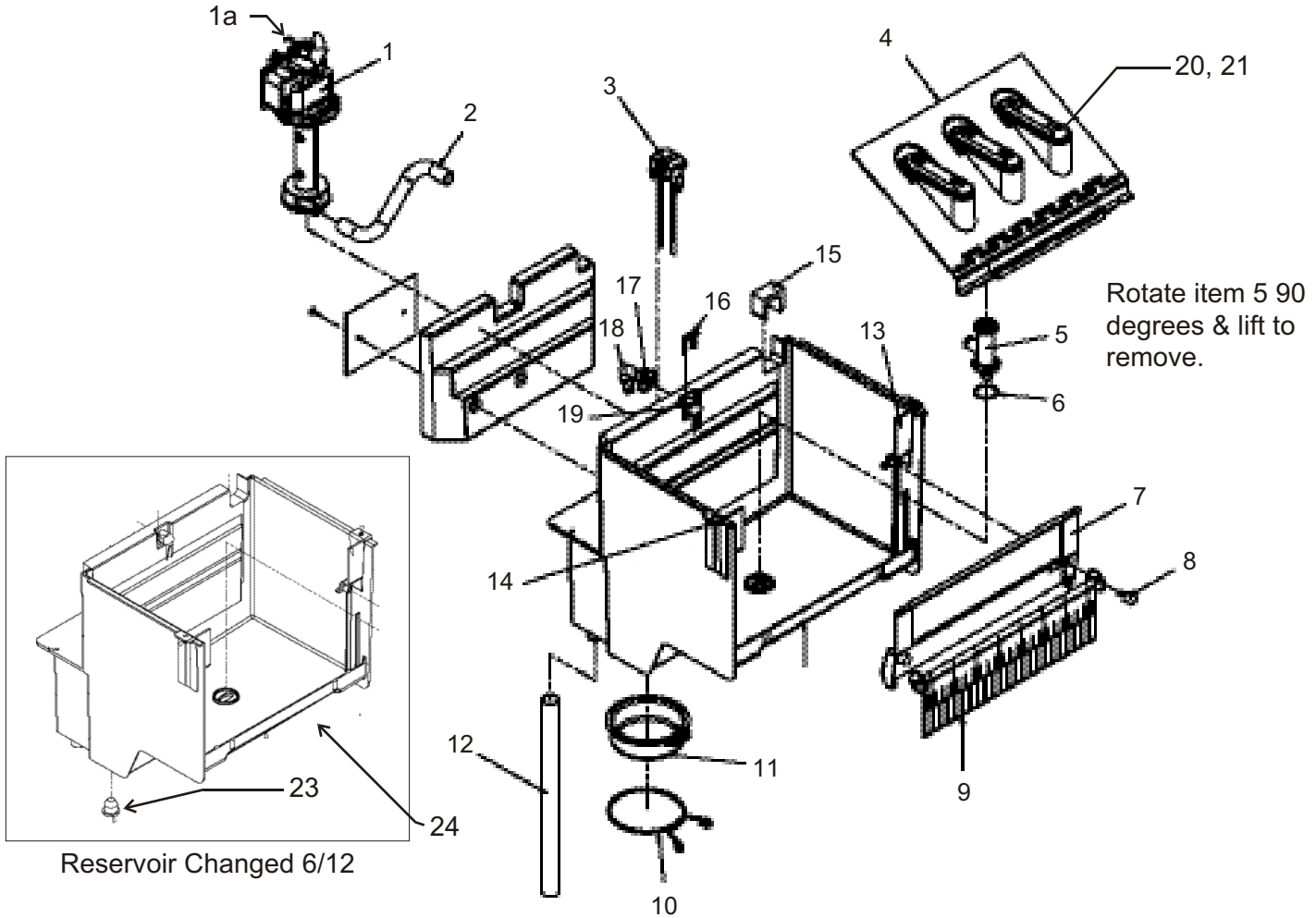
Item Number	Part Number	Description
1	03-1404-10	Screw
2	A39363-001	Back panel
3	A39389-001	Utility routing bracket
4	12-1213-11	Snap bushing
5	A39392-001	Srv panel mntg bracket
6	02-4390-01	Kickplate
6a	A39469-001	Kickplate, SS for outdoor model
7	03-1403-86	Screw
8	02-4441-01	Panel handle
9	A39381-003	Service panel, SS
10	02-4392-01	Bin edging
11	03-3836-03	Screw

12	A39364-003	Top hinge brkt, RH SS
	A39364-007	Top hinge brkt, L & R SS*
12a	03-3813-01	Screw to fill holes
13	13-0943-05	Gasket
14	13-0943-03	Gasket strip
15	02-4426-01	Insulation pad
16	A39362-003	Top panel, SS
17	03-1403-86	Screw
18	A39618-001	SS cabinet & bin
19	A39385-003	Btm hinge brkt, L & R SS**
20	A34816-001	Bin stat bracket/scoop hldr
21	02-4391-03	Scoop
22	A39615-001	Service panel

* changed 1/12 to add left and right hinge mounting.
Painted parts no longer available.

SCCG50 & SCCP50 Service Parts

Reservoir and Spray Pump

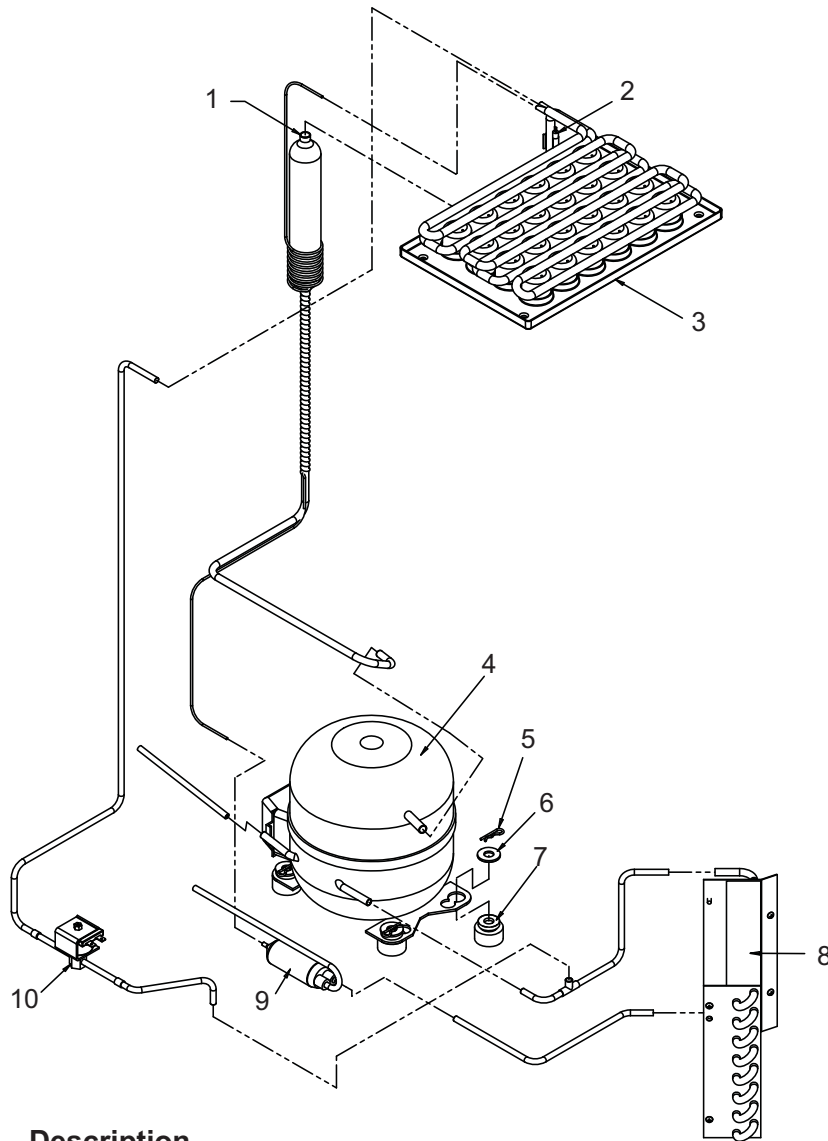



Item Number	Part Number	Description
1	12-2986-21	Water pump, incl item 1a
1a	02-1719-00	Fan blade
2	02-4379-01	Pump discharge hose
3	A39030-023	Water probe
4	02-4371-03	Spray platform
5	02-4368-01	Water Tee
6	13-0617-11	O-ring
7	02-4365-01	Front bracket
8	03-3892-01	Thumb screw
9	A39357-001	Curtain
10	02-4383-01	Clamp
11	02-4369-01	Drain cap, not used after 6/12
12	02-4428-01	Drain tube
13	02-4375-02	Evap bracket, left
14	02-4375-01	Evap bracket, right

15	02-4475-01	Grommet
16	02-4381-03	Clip
17	13-0617-04	O-ring
18	02-4381-01	Barbed fitting
19	02-4381-02	Spout
20	02-4373-01	O-ring
21	02-4370-21	Spray nozzle, kit. Set of 3 nozzles, o-rings, screws and nuts.
Item 22 is a plastic cover that fits over the evaporator tubing and cups. It was added in 2013.		
22	02-4726-01	Evaporator cover
23	13-0840-01	Drain plug, changed 6/12.
24	02-4427-01	Reservoir

SCCG50 & SCCP50 Service Parts

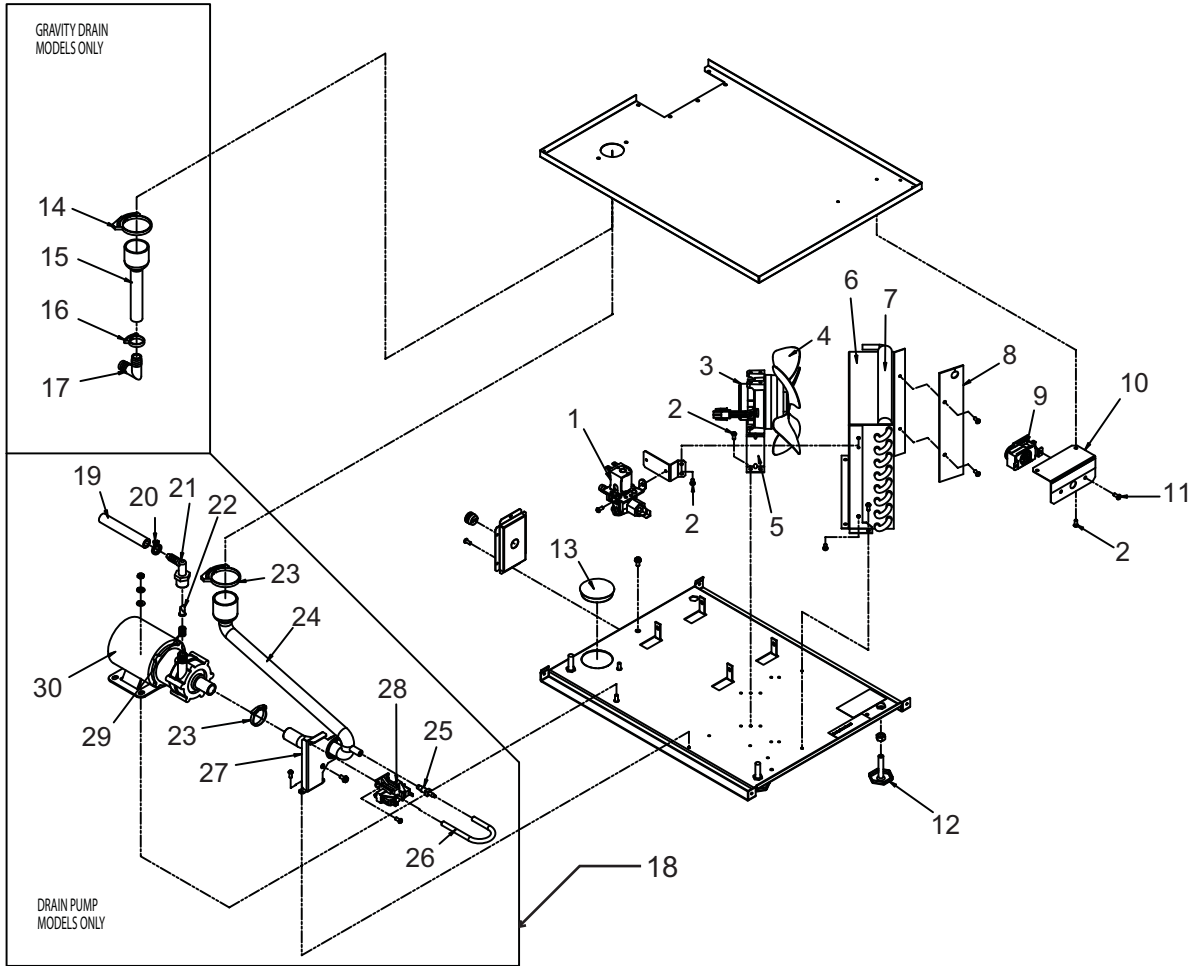
Refrigeration



Item Number	Part Number	Description
1	A39384-001	Suction line accumulator assy
2	11-0577-01	Thermistor 
3	02-4376-01	Evaporator
4	18-8939-21	Compressor
Compressor includes overload, relay and drier		
4a	18-8939-51	Overload
4b	18-8939-52	Relay
5	03-3821-01	Clip
6	03-1407-08	Washer
7	18-4700-28	Grommet
8	18-8940-01	Condenser
9	02-4416-01	Drier
10	11-0562-21	Hot gas valve
10a	11-0562-22	HGV coil

SCCG50 & SCCP50 Service Parts

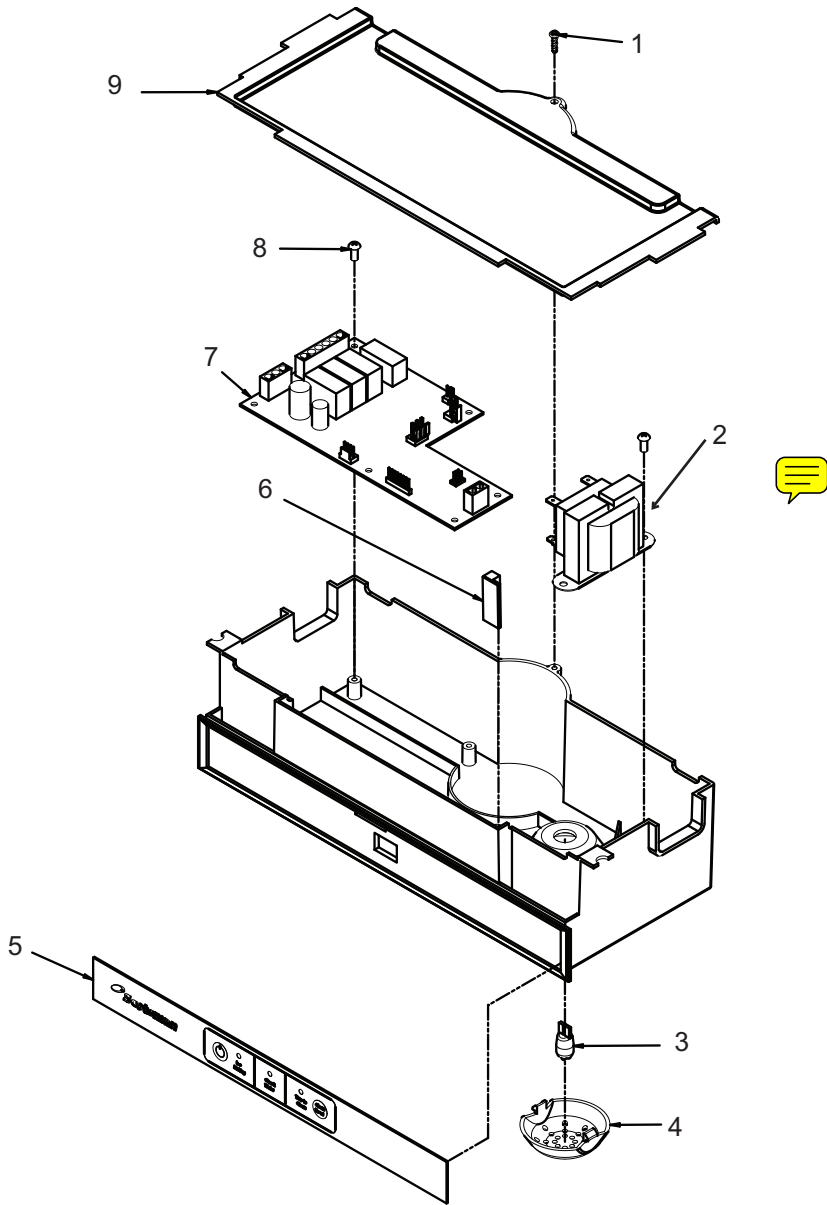
Under Bin Parts



Item Number	Part Number	Description	Item Number	Part Number	Description
1	12-2990-01	Inlet water sol valve	12a	02-4415-01	Leg cap
2	03-1531-01	Screw	13	02-1875-18	Hole plug
3	12-2396-02	Fan motor	14	02-2814-13	Hose clamp
	12-3024-01	Fan motor, A series	15	02-4412-01	Drain hose
4	18-8941-01	Fan blade	16	02-2814-08	Hose clamp
	02-4197-01	Fan blade, A series	17	16-0671-01	Elbow
5	A39555-001	Fan motor bracket	18	A39462-021	Pump kit
	A39555-001	bracket attaches to shroud. Use on prior models requires 2 brackets & A39359-001.	19	A37334-001	Discharge hose
	A39556-001	Fan motor bracket A series	20	02-0534-02	Hose clamp
6	A39359-001	Fan shroud	21	02-3522-01	Elbow
	A39460-001	Fan shroud, A series	22	02-3374-01	Check valve
7	13-0909-01	Gasket, order 1 & cut to fit	23	02-2814-13	Hose clamp
8	02-4450-01	Air baffle	24	02-4413-01	Drain tube
9	11-0617-21	Thermostat	25	02-3406-01	Barbed connector
10	A39379-001	Thermostat bracket	26	05-0591-01	Switch hose
11	03-1403-16	Screw	27	A39370-001	Switch bracket
12	03-1608-01	Leg leveler	28	11-0504-01	Pressure switch
			29	03-3904-01	Spring
			30	12-2503-21	Pump & motor only

SCCG50 & SCCP50 Service Parts

Control System



Item Number	Part Number	Description
1	03-3836-03	Screw
2	12-2924-01	Transformer
3	12-3077-01	Bulb
4	02-4380-01	Light cover
5	11-0574-01	Switch panel
6	12-3076-01	Bin light switch, bulb socket and harness
7	11-0573-25	Controller
8	03-1531-01	Screw
9	02-4386-01	Cover

Not Shown:

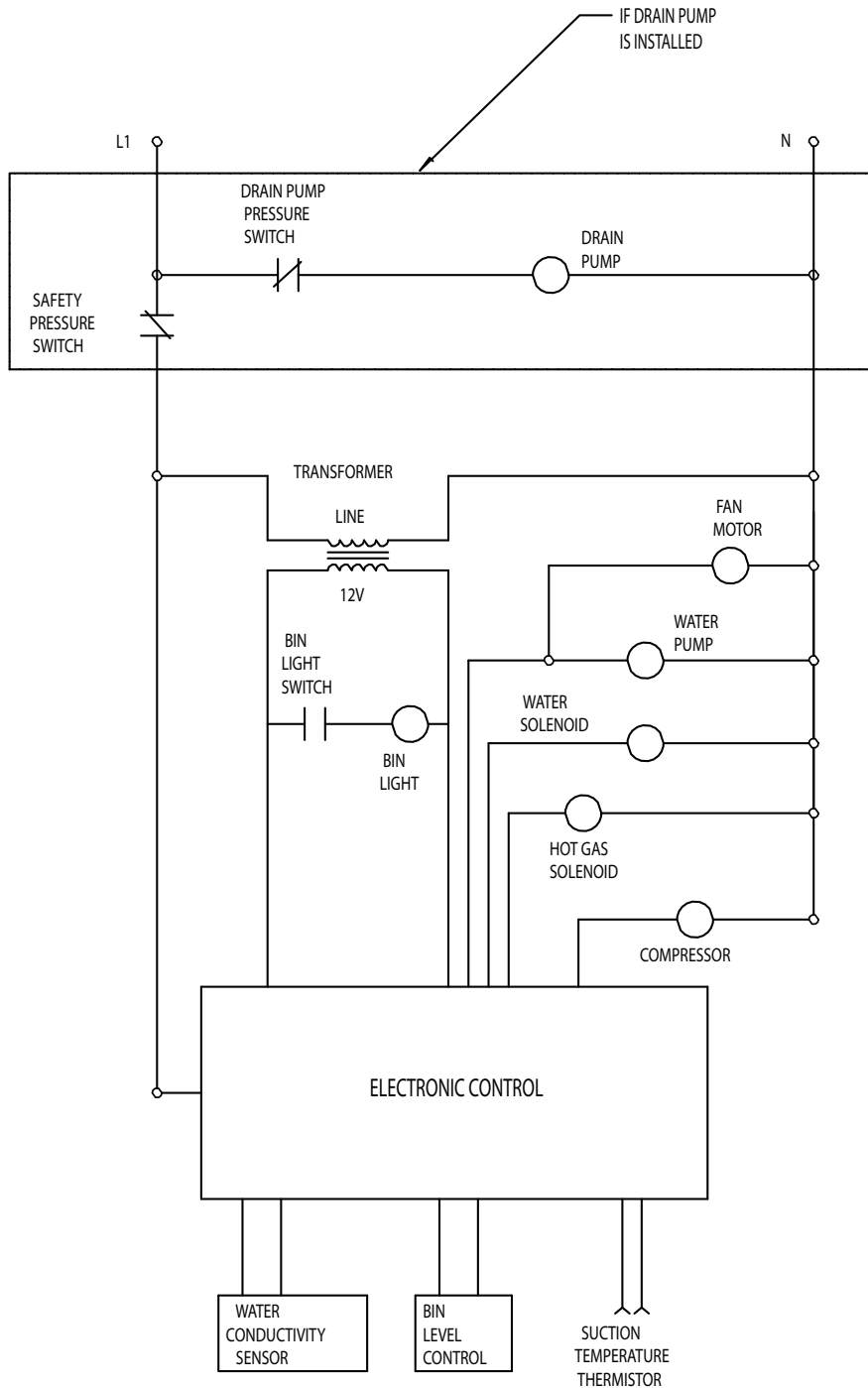
NS1	12-3003-01	Bin stat harness
NS2	12-3000-02	Hi voltage harness, lower
NS3	12-3000-01	Hi voltage harness, upper

Note: If replacing the lower harness, always replace the upper one too.

NS4	12-2992-01	Water sensor harness
-----	------------	----------------------

SCCG50 & SCCP50 Service Parts

Schematic Diagram



SWITCHES ON THIS UNIT
SHOWN IN FREEZE CYCLE
WITH DRAIN PUMP IN OPERATION
AND BIN DOOR CLOSED

SCCG50 & SCCP50 Service Parts

Wiring Diagram

