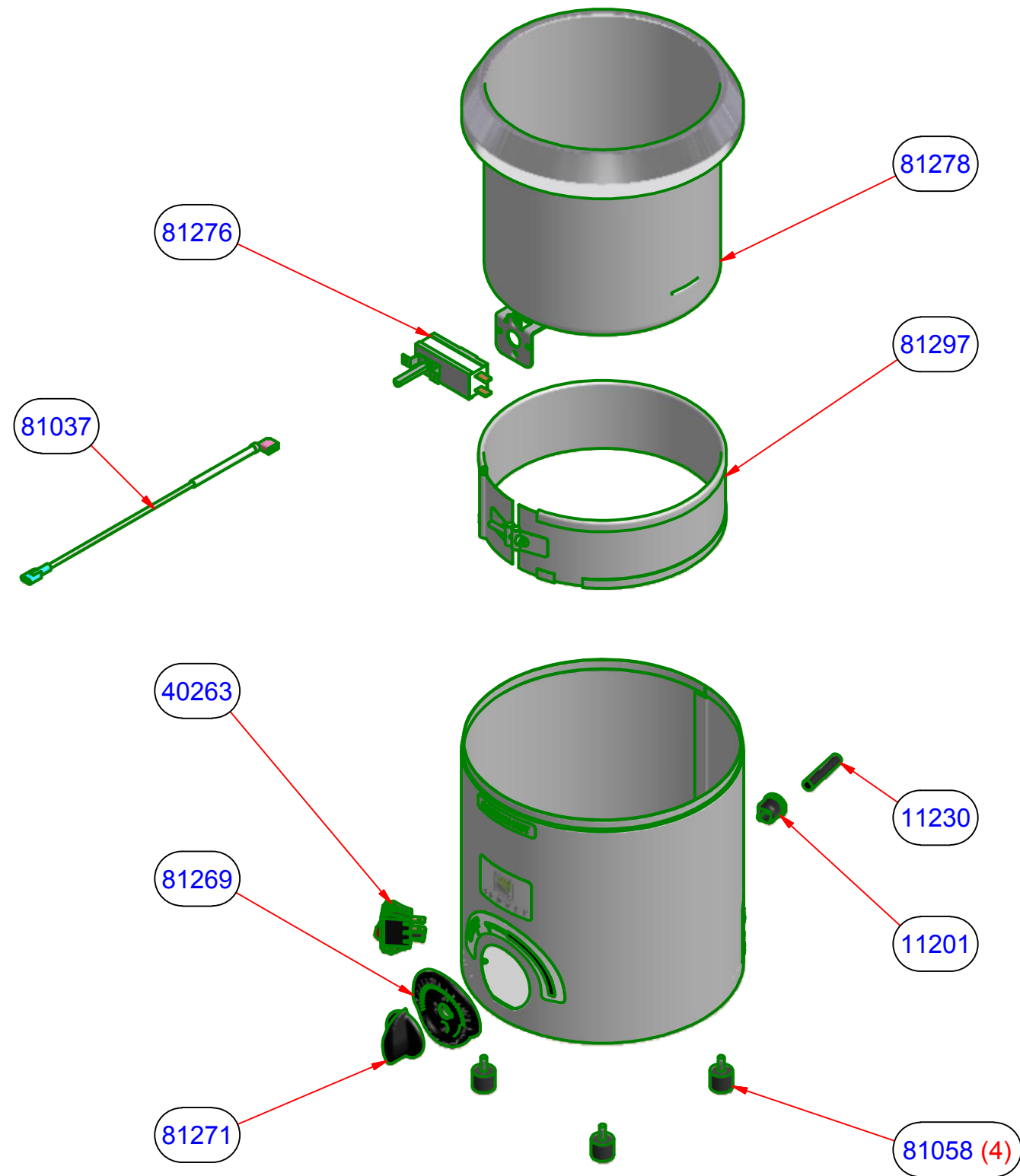
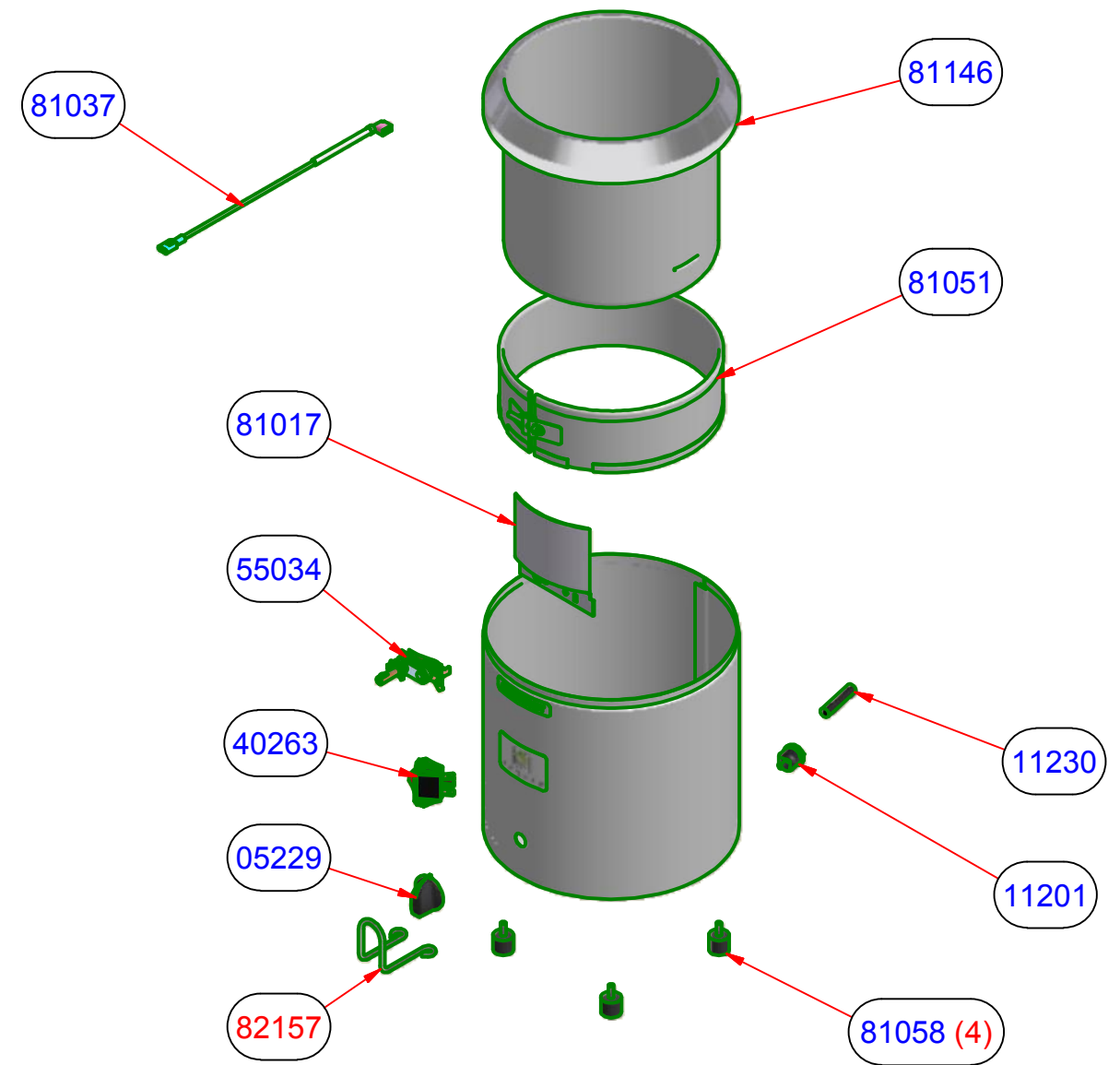


SERIES 12L



SERIES PRIOR TO 12L



APPD BY		MATERIAL:	
CKD BY		TOLERANCES UNLESS OTHERWISE SPECIFIED	#
DRAWN BY	DCK	FRAC ±1/64 DEC .00=±.01 .000=±.005 ANG ±1°	§
DATE	04/23/98	Server Products, Inc	
		RICHFIELD, WI 53076 USA 800-558-8722	
SCALE	FULL	PART NAME	SIZE DWG NO.
		BASE ONLY FOR FS/BASKIN ROBBINS	B 82156