



IMPORTANT FOR FUTURE REFERENCE

Please complete this information and retain this manual for the life of the equipment:

Model #: _____

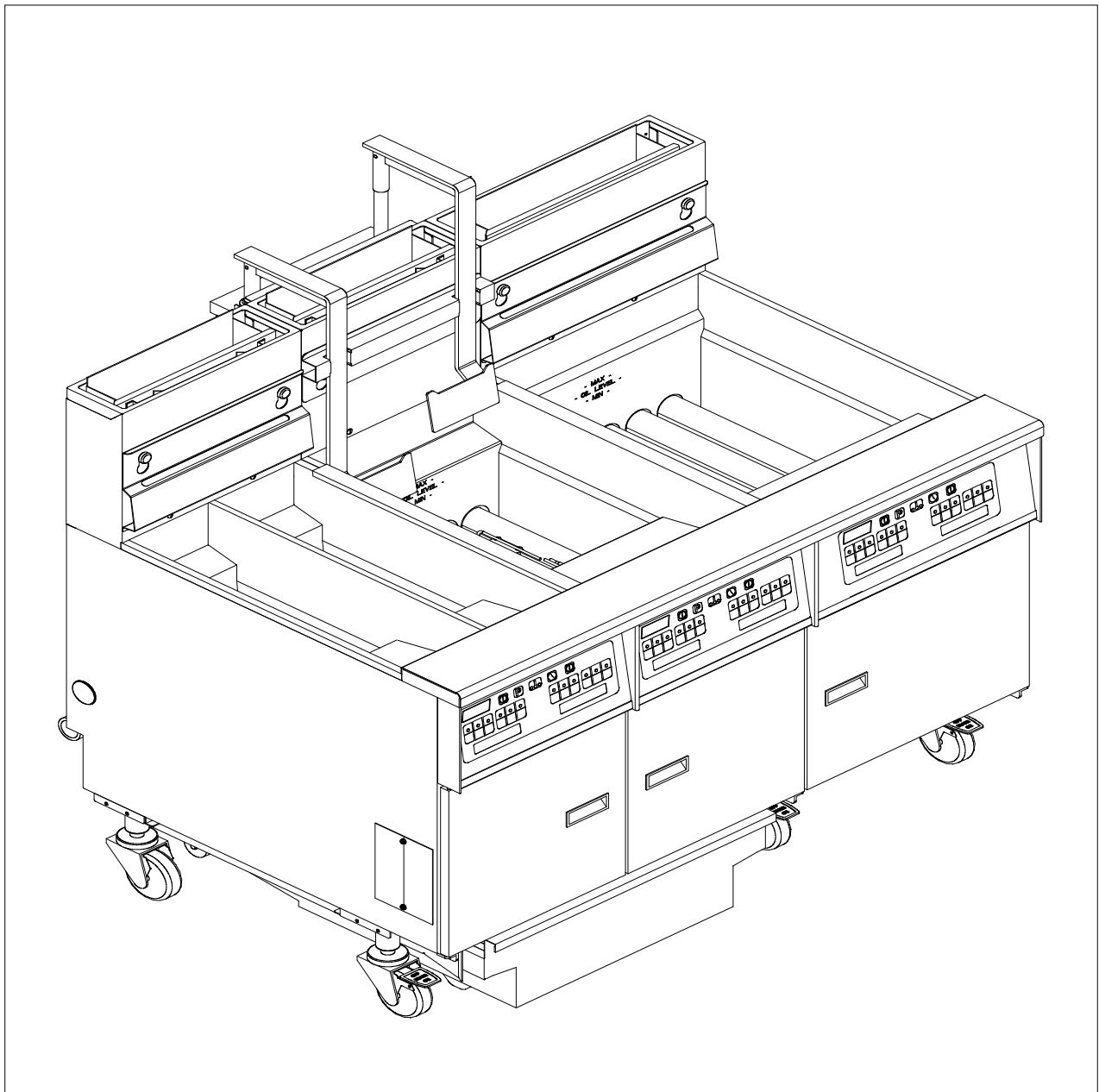
Serial #: _____

Date Purchased: _____

ENGLISH

Exploded Parts Manual

SG14, SG14T, SG18, SG14R, SGC, SG18F, SGM1824,
SGM24, SGM34 Gas Fryer Models
Built after 11/1999



Post in a prominent location the instructions to be followed in the event that an operator smells gas. Obtain this information from your local gas supplier.

WARNING

DO NOT store or use gasoline or other flammable vapors and liquids in the vicinity of this or any other appliance.

WARNING

Improper installation, alteration, service or maintenance can cause property damage, injury or death. Read the installation, operating and maintenance instructions thoroughly before installing or servicing this appliance.

WARNING

Installation, maintenance and repairs should be performed by a Pitco Authorized Service and Parts (ASAP) company technician or other qualified personnel. Installation, maintenance or repairs by unauthorized or unqualified personnel will void the warranty.

WARNING

Installation and all connections must be made according to national and local regulations and codes in force.

WARNING

During the warranty period if a customer elects to use a non-original part or modifies an original part purchased from Pitco and/or its Authorized Service and Parts (ASAP) companies, this warranty will be void. In addition, Pitco and its affiliates will not be liable for any claims, damages or expenses incurred by the customer which arises directly or indirectly, in whole or in part, due to the installation of any modified part and/or received from an unauthorized service center.

WARNING

This appliance, when installed, must be electrically grounded in accordance with local codes, or in the absence of local codes, with the National Electrical Code, ANSI/NFPA 70, or the Canadian Electrical Code, CSA C22.2, as applicable.

WARNING

Adequate means must be provided to LIMIT the movement of this appliance without depending on the gas or electrical cord connection. Single appliances equipped with legs must be stabilized by installing anchor straps. All appliances equipped with casters must be stabilized by installing restraining chains.

WARNING

An appliance equipped with casters and a flexible gas line must be connected to the gas supply with a quick disconnect device. This quick disconnect must comply with ANSI Z24.41.

WARNING

DO NOT alter or remove structural material on the appliance to accommodate placement under a ventilation hood.

WARNING

This appliance is intended for professional use only and should be operated by fully trained and qualified personnel.

WARNING

If the appliance is equipped with a power cord and it is damaged, it must be replaced by a Pitco Authorized Service and Parts (ASAP) company technician, or a similarly qualified person in order to avoid a hazard.

WARNING

The power supply must be disconnected before servicing, maintaining or cleaning this appliance.

WARNING

The appliance is NOT jet stream approved. DO NOT clean the appliance with a water jet.

WARNING

DO NOT attempt to move this appliance or transfer hot liquids from one container to another when the unit is at operating temperature or filled with hot liquids. Serious personal injury could result if skin comes in contact with the hot surfaces or liquids.

WARNING

DO NOT sit or stand on this appliance. The appliance's front panel, tank, splash back, tank cover, workshelf, drain board is not a step. Serious injury could result from slipping, falling or contact with hot liquids.

WARNING

NEVER use the appliance as a step for cleaning or accessing the ventilation hood. Serious injury could result from slips, trips or from contacting hot liquids.

WARNING

The oil/shortening level should NOT fall below the minimum indicated level line at any time. The use of old shortening can be dangerous as it will have a reduced flash point and be more prone to surge boiling.

WARNING

The particles, crumbs and cracklings from the crumb tray/catch (if supplied) in a filtering system must be emptied into a fireproof container at the end of the frying operation each day. Some food particles can spontaneously combust into flames if left soaking in certain oil/shortening materials.

WARNING

Completely shut the appliance down when shortening/oil is being drained from the appliance. This will prevent the appliance from heating up during the draining and filling process. Serious injury can occur.

WARNING

This appliance is intended for indoor use only.

WARNING

DO NOT operate appliance unless all panels and access covers are attached correctly.

WARNING

It is recommended that this appliance be inspected by a qualified service technician for proper performance and operation on a yearly basis.

WARNING

There is an open flame inside this appliance. The unit may get hot enough to set nearby materials on fire. Keep the area around the appliance free from combustibles.

WARNING

DO NOT supply the appliance with a gas that is not indicated on the data plate. If you need to convert the appliance to another type of fuel, contact your dealer.

WARNING

DO NOT use an open flame to check for gas leaks!

WARNING

If gas flow to appliance is interrupted, or pilots extinguish, wait 5 minutes before attempting to relight the pilot to allow any residual gas in appliance to dissipate.

WARNING

Ensure that the appliance can get enough air to keep the flame burning correctly. If the flame is starved for air, it can give off a dangerous carbon monoxide gas. Carbon monoxide is a clear odorless gas that can cause suffocation.

This Page Left Intentionally Blank

TABLE OF CONTENTS

| | |
|--|-----------|
| FRYER EXPLODED VIEWS | 6 |
| FRYER EXPLODED VIEW 1 PARTS LIST | 6 |
| FRYER EXPLODED VIEW 1 | 7 |
| FRYER EXPLODED VIEW 2 PARTS LIST | 8 |
| FRYER EXPLODED VIEW 2 | 9 |
| A) TANK & FLUE | 10 |
| TANK & FLUE DRAWING A PARTS LIST | 10 |
| TANK & FLUE DRAWING A | 11 |
| B) BURNER ASSEMBLY | 12 |
| BURNER ASSEMBLY DRAWING B PARTS LIST B(A) | 12 |
| BURNER ASSEMBLY DRAWING B | 13 |
| BURNER ASSEMBLY DRAWING B PARTS LIST B(B) | 14 |
| C) GAS TRAIN | 15 |
| GAS TRAIN DRAWING C1 PARTS LIST | 16 |
| GAS TRAIN DRAWING C1 | 17 |
| GAS TRAIN DRAWING C2 PARTS LIST | 18 |
| GAS TRAIN DRAWING C2 | 19 |
| D) GAS CONVERSION KITS | 20 |
| GAS CONVERSION KITS QUICK REFERENCE | 20 |
| GAS CONVERSION KITS SIMPLE INSTRUCTIONS DRAWING D | 21 |
| GAS CONVERSION KITS SLOT FACE BURNERS PARTS LIST D1 | 22 |
| GAS CONVERSION KITS WIRE FACE BURNERS PARTS LIST D2 | 23 |
| GAS CONVERSION KITS SGC PARTS LIST D3 | 24 |
| GAS CONVERSION KITS SGM PARTS LIST D4 | 25 |
| GAS CONVERSION KITS SLOT FACE BURNERS (CE) PARTS LIST D5 | 26 |
| GAS CONVERSION KITS WIRE FACE BURNERS (CE AND AUSTRALIA) PARTS LIST D6 | 27 |
| GAS CONVERSION KITS SGC (CE) PARTS LIST D7 | 28 |
| GAS CONVERSION KITS SGM (CE) PARTS LIST D8 | 29 |
| E) FRYER CABINET | 30 |
| MODULAR CABINET DRAWING E1 PARTS LIST E1(A) | 30 |
| MODULAR CABINET DRAWING E1 | 31 |
| MODULAR CABINET DRAWING E1 PARTS LIST E1(B) | 32 |
| MODULAR CABINET DRAWING E1 PARTS LIST E1(C) | 33 |
| STANDARD CABINET DRAWING E2 PARTS LIST | 34 |
| STANDARD CABINET DRAWING E2 | 35 |
| F) ENTRANCE BOX | 36 |
| ENTRANCE BOX DRAWING F PARTS LIST | 36 |
| ENTRANCE BOX DRAWING F | 37 |
| G) CONTROL BOX | 38 |
| CONTROL BOX PRE 8/00 DRAWING G1 PARTS LIST | 38 |
| CONTROL BOX PRE 8/00 DRAWING G1 | 39 |
| CONTROL BOX POST 8/00 DRAWING G2 PARTS LIST | 40 |
| CONTROL BOX POST 8/00 DRAWING G2 | 41 |
| H) SMALL ASSEMBLIES | 42 |
| SMALL ASSEMBLIES DRAWING H PARTS LIST | 42 |
| SMALL ASSEMBLIES DRAWING H | 43 |
| I) DRAIN LINE | 44 |
| DRAIN LINE DRAWING I PARTS LIST | 44 |
| DRAIN LINE DRAWING I | 45 |
| J) FILTER PAN | 46 |
| FILTER PAN DRAWING J PARTS LIST | 46 |
| FILTER PAN DRAWING J | 47 |
| K) WASTE OIL MANAGEMENT | 48 |
| WASTE OIL MANAGEMENT DRAWING K PARTS LIST | 48 |
| WASTE OIL MANAGEMENT DRAWING K | 49 |

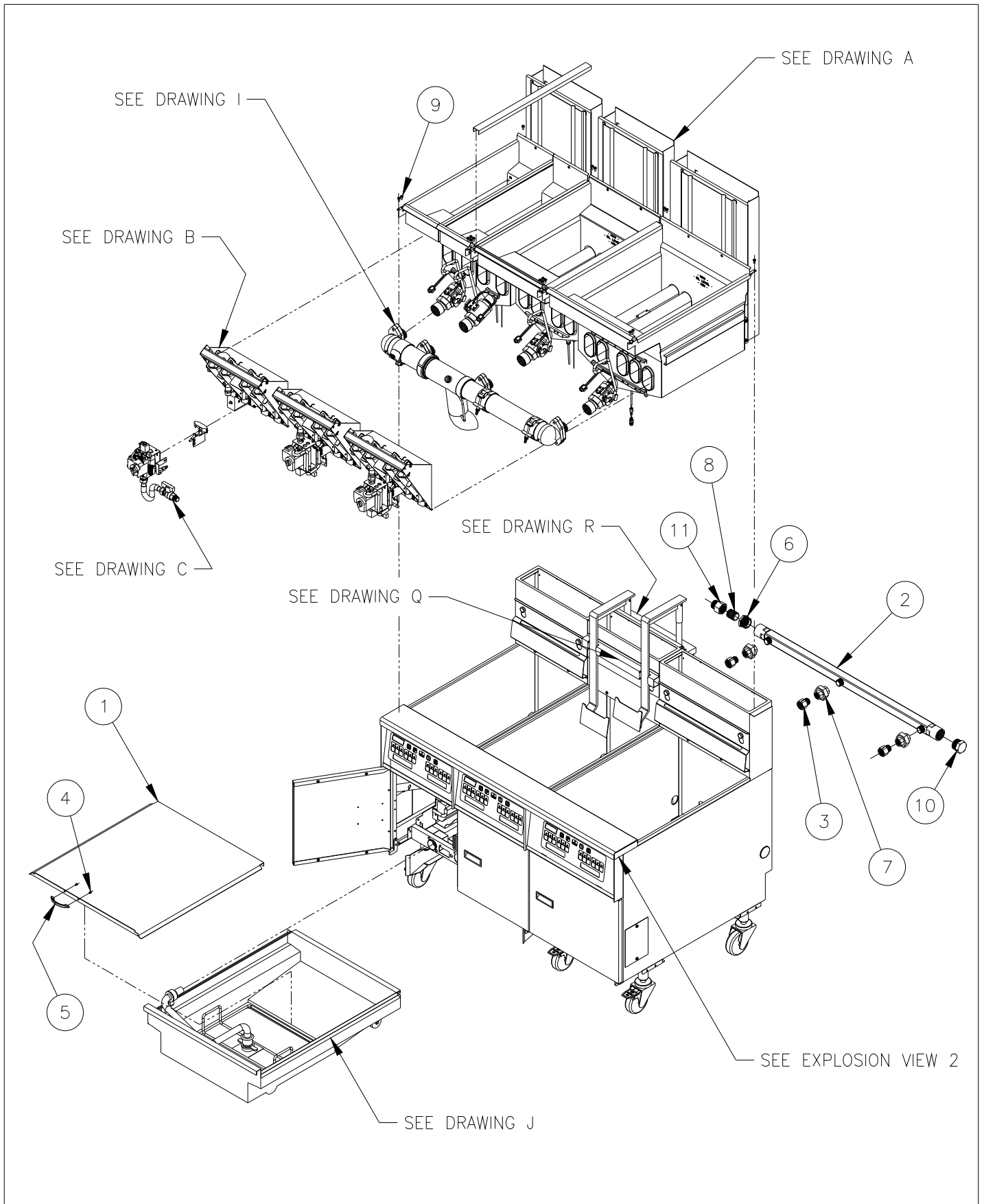
| | |
|---|-----------|
| L) PUMP ASSEMBLY | 50 |
| PUMP ASSEMBLY PRE 3/04 DRAWING L1 PARTS LIST | 50 |
| PUMP ASSEMBLY PRE 3/04 DRAWING L1 | 51 |
| PUMP ASSEMBLY POST 3/04 DRAWING L2 PARTS LIST | 52 |
| PUMP ASSEMBLY POST 3/04 DRAWING L2 | 53 |
| PUMP ASSEMBLY SFSG DRAWING L3 PARTS LIST..... | 54 |
| PUMP ASSEMBLY SFSG DRAWING L3..... | 55 |
| M) PUMP BOX | 56 |
| PUMP BOX DRAWING M PARTS LIST | 56 |
| PUMP BOX DRAWING M..... | 57 |
| N) RETURN LINE | 58 |
| RETURN LINE DRAWING N PARTS LIST | 58 |
| RETURN LINE DRAWING N..... | 59 |
| O) FLUSH HOSE ASSEMBLY | 60 |
| FLUSH HOSE ASSEMBLY DRAWING O PARTS LIST | 60 |
| FLUSH HOSE ASSEMBLY DRAWING O..... | 61 |
| P) FLUSH HOSE (HOSE) ASSEMBLY | 62 |
| FLUSH HOSE (HOSE) ASSEMBLY DRAWING P PARTS LIST | 62 |
| FLUSH HOSE (HOSE) ASSEMBLY DRAWING P | 63 |
| Q) BASKET LIFT..... | 64 |
| BASKET LIFT DRAWING Q PARTS LIST | 64 |
| BASKET LIFT DRAWING Q..... | 65 |
| R) BASKET LIFT COMPONENTS..... | 66 |
| BASKET LIFT COMPONENTS DRAWING R PARTS LIST | 66 |
| BASKET LIFT COMPONENTS DRAWING R | 67 |
| S) ACCESSORIES | 68 |
| ACCESSORIES DRAWING S PARTS LIST S(A) | 68 |
| ACCESSORIES DRAWING S | 69 |
| ACCESSORIES DRAWING S PARTS LIST S(B) | 70 |
| T) BNB | 72 |
| BNB DRAWING T PARTS LIST..... | 72 |
| BNB DRAWING T..... | 73 |
| U) DROP INS..... | 74 |
| DROP INS DRAWING U PARTS LIST | 74 |
| DROP INS DRAWING U | 75 |

FRYER EXPLODED VIEWS

Fryer Exploded View 1 Parts List

| ITEM # | PART # | PART DESCRIPTION |
|----------|------------|--|
| 1 | B6665001-C | FILTER PAN COVER ASSEMBLY SFD |
| | B6665003-C | FILTER PAN COVER ASSEMBLY SFSG18 |
| | B6665004-C | FILTER PAN COVER ASSEMBLY SFSG14* |
| | B6665007-C | FILTER PAN COVER ASSEMBLY SGM1824 |
| | B6665008-C | FILTER PAN COVER ASSEMBLY SGM24 |
| | B6665009-C | FILTER PAN COVER ASSEMBLY SGM34 |
| 2 | B8033302-C | REAR-TEE MANIFOLD WELDMENT SG14/SG18 |
| | B8033304-C | REAR-TEE MANIFOLD WELDMENT SGM1824/SGM24 |
| | B8033305-C | REAR-TEE MANIFOLD WELDMENT SGM24-2 |
| | B8033306-C | REAR-TEE MANIFOLD WELDMENT SGM1824/SGM34 |
| | B8033307-C | REAR-TEE MANIFOLD WELDMENT SGM24/SGM34 |
| | B8033308-C | REAR-TEE MANIFOLD WELDMENT SGM34-2 |
| | B8033802-C | REAR-TEE MANIFOLD WELDMENT SG14-2/SG18 |
| | B8033803-C | REAR-TEE MANIFOLD WELDMENT SG14/SG18/SG14,SG18/SG14/SG18 |
| | B8033804-C | REAR-TEE MANIFOLD WELDMENT SG14/SG18/SG18 |
| | B8034102-C | REAR-TEE MANIFOLD WELDMENT SG14-3/SG18 |
| | B8034103-C | REAR-TEE MANIFOLD WELDMENT SG14-2/SG18/SG14 |
| | B8034104-C | REAR-TEE MANIFOLD WELDMENT SG14-2/SG18-2 |
| | B8034105-C | REAR-TEE MANIFOLD WELDMENT SG18/SG14/SG18/SG14 |
| | B8034106-C | REAR-TEE MANIFOLD WELDMENT SG14/SG18-2/SG14 |
| | B8034107-C | REAR-TEE MANIFOLD WELDMENT SG18/SG14-2/SG18 |
| | B8034108-C | REAR-TEE MANIFOLD WELDMENT SG18-3/SG14 |
| | B8034109-C | REAR-TEE MANIFOLD WELDMENT SG18-2/SG14/SG18 |
| | B8034111-C | REAR-TEE MANIFOLD WELDMENT SG14-2/SGBNB14/SG14-2 (CRACKER BARREL) |
| | B8034112-C | REAR-TEE MANIFOLD WELDMENT SGM1824-3/SGM34 |
| | B8039201 | REAR-TEE MANIFOLD WELDMENT SG14-2 |
| | B8039202 | REAR-TEE MANIFOLD WELDMENT SG18-2 |
| | B8039203 | REAR-TEE MANIFOLD WELDMENT SG14-3 |
| | B8039204 | REAR-TEE MANIFOLD WELDMENT SG18-3 |
| | B8039205 | REAR-TEE MANIFOLD WELDMENT SG14-4 |
| | B8039206 | REAR-TEE MANIFOLD WELDMENT SG18-4 |
| | 3 | 60133203 |
| 60133204 | | GAS RESTRICTOR FITTING UNREGULATED 3/4 M/F NPT 5.18mm SG14R |
| 60133205 | | GAS RESTRICTOR FITTING UNREGULATED 3/4 M/F NPT 5.61mm SG18 |
| 4 | P0007300 | SCREW 8-32 X 1/4 INDENTED HEX HEAD ZN |
| 5 | P6071516 | CHROME HANDLE 3" |
| 6 | P7036206 | BUSHING REDUCER 1-1/4 MNPT X 1 FNPT HEX BLACK IRON (366,000 BTU MAX) |
| 7 | P7036904 | UNION 3/4 NPT BLACK IRON |
| 8 | P7037400 | PIPE NIPPLE CLOSE 1 NPT SCHED-40 BLACK STEEL CE |
| | P7037450 | PIPE NIPPLE CLOSE 1-1/4 NPT SCHED-40 BLACK STEEL CE |
| 9 | PP10023 | SCREW 10-24 X 3/8 SELF TAPPING |
| 10 | PP10479 | PLUG 1-1/4 NPT HEX HEAD BLACK IRON |
| 11 | PP10964 | GAS SUPPLY ADAPTOR FITTING 1-1/4 BSPT X 1-1/4 FNPT CE |
| | PP10966 | GAS SUPPLY ADAPTOR FITTING 1 BSPT X 1 FNPT CE |
| | PP11292 | GAS SUPPLY ADAPTOR FITTING 3/4 BSPT X 3/4 FNPT CE |

Fryer Exploded View 1



Fryer Exploded View 2 Parts List

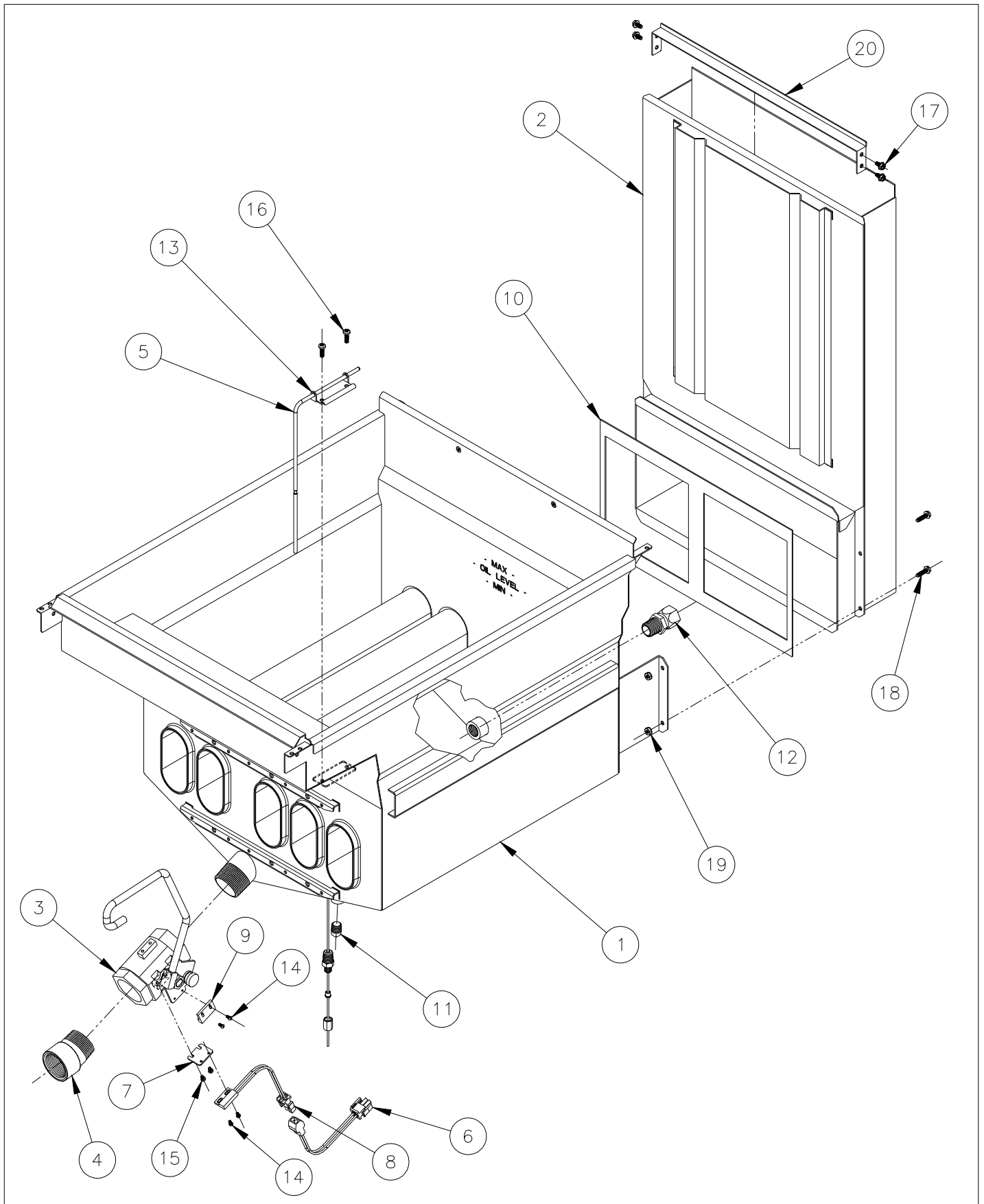
| ITEM # | PART # | PART DESCRIPTION |
|--------|----------------------------|--|
| 1 | B6676001 | FILTER PICKUP BLOCK WELDMENT (NOT USED PRIOR TO 01/13/04) |
| 2 | A1844001-C | CABINET CABLE RETAINER |
| 3 | A3667904-C | FRONT PANEL BOTTOM RAIL SG18,SG18F |
| | A3667906-C | FRONT PANEL BOTTOM RAIL SG14,SG14R,SG14T |
| | A3676302-C | FRONT PANEL BOTTOM RAIL SGM1824 |
| | A3676304-C | FRONT PANEL BOTTOM RAIL SGM24 |
| | A3676306-C | FRONT PANEL BOTTOM RAIL SGM34 |
| 4 | A7027602 | FILTER PICKUP BLOCK (PRIOR TO 01/13/04) |
| 5 | A7027902 | FILTER PUMP PLATE MOUNTING ROD |
| 6 | A7028401-C | FILTER PUMP PLATE MOUNTING ROD HOLDER |
| 7 | 60068301 | O-RING VITON NEWMAN #318-3107 (NOT USED PRIOR TO 01/13/04) |
| 8 | 60128403 | POWER CORD JUMPER 3-WIRE 16A 34" IEC-320 MALE/FEMALE |
| 9 | 60128501 | POWER CORD 3-WIRE 16A 96" IEC-320 FEMALE, NEMA 5-15P MALE |
| 10 | 60130501 | STRAIN RELIEF LAY-IN |
| 11 | P7037360 | PIPE NIPPLE 3/4 NPT SCHED-40 X 4-1/2 LG BLACK IRON (PRIOR TO 01/13/04) |
| 12 | PP10023 | SCREW 10-24 X 3/8 SELF TAPPING |
| 13 | 60129301 | SCREW 10-24 X 5/8 HEX HEAD MACHINE WITH PATCH-LOC ZN |
| 14 | PP11104 | O-RING VITON NEWMAN #120-3107 (PRIOR TO 01/13/04) |

A) TANK & FLUE

Tank & Flue Drawing A Parts List

| ITEM # | PART # | PART DESCRIPTION |
|------------|---------------------|---|
| 1 | B3321501-C | TANK WELDMENT STANDARD SST SG14 |
| | B3321601-C | TANK WELDMENT STANDARD SST SG14R |
| | B3321701-C | TANK WELDMENT STANDARD SST SG14T |
| | B3321801-C | TANK WELDMENT STANDARD SST SG18 |
| | B3322501-C | TANK WELDMENT MODULAR SST SG14 |
| | B3322601-C | TANK WELDMENT MODULAR SST SG14R |
| | B3322701-C | TANK WELDMENT MODULAR SST SG14T |
| | B3322801-C | TANK WELDMENT MODULAR SST SG18 |
| | B3322901-C | TANK WELDMENT STANDARD CRS SG14 |
| | B3323001-C | TANK WELDMENT STANDARD CRS SG14R |
| | B3323101-C | TANK WELDMENT STANDARD CRS SG18 |
| | B3323801-C | TANK WELDMENT STANDARD CRS SG14T |
| | B3324701-C | TANK WELDMENT SGC |
| | B3324801-C | TANK WELDMENT SG18F |
| | B3328001-C | TANK WELDMENT SGM1824 |
| | B3328101-C | TANK WELDMENT SGM24 |
| B3328201-C | TANK WELDMENT SGM34 | |
| 2 | B3503101 | FLUE WELDMENT SG14 |
| | B3503201 | FLUE WELDMENT SG14R |
| | B3503301 | FLUE WELDMENT SG14T |
| | B3503401 | FLUE WELDMENT SG18 |
| | B3504101 | FLUE WELDMENT LONG SGC (BEFORE 5/03) |
| | B3504301 | FLUE WELDMENT SG18F |
| | B3504401 | FLUE WELDMENT SHORT FLUE SGC |
| | B3504901 | FLUE WELDMENT SGM1824 |
| | B3504902 | FLUE WELDMENT SGM24 |
| | B3504903 | FLUE WELDMENT SGM34 |
| 3 | 60131001 | BALL VALVE 1-1/4 FULL PORT REVERSIBLE LUG LEFT HAND SG14T |
| | 60131002 | BALL VALVE 1-1/4 FULL PORT REVERSIBLE LUG RIGHT HAND |
| | 60131003 | BALL VALVE 1-1/4 FULL PORT REVERSIBLE LUG LEFT HAND LOCKING SG14T |
| | 60131004 | BALL VALVE 1-1/4 FULL PORT REVERSIBLE LUG RIGHT HAND LOCKING |
| | 60131005 | BALL VALVE 1-1/4 FULL PORT REVERSIBLE LUG RIGHT HAND LOCKING SGM |
| | PP10368 | BALL VALVE 1-1/4 FULL PORT STANDARD |
| | PP10962 | BALL VALVE 1-1/4 FULL PORT LOCKING STANDARD |
| 4 | A8030407 | DRAIN LINE PIPING ADAPTER SG, SGM (NON-FILTER) |
| | A8034301 | DRAIN LINE PIPING ADAPTER SG18F |
| 5 | B6700604-C | WIRING PROBE SERVICE KIT SG |
| | B6700608-C | WIRING PROBE SERVICE KIT (BACK UP THERMOSTAT) |
| 6 | B6763001 | WIRING RETURN OR HOSE JUMPER 24V SGM |
| 7 | A4021001-C | DRAIN VALVE INTERLOCK MOUNTING PLATE |
| 8 | B5305001 | DRAIN VALVE INTERLOCK SENSOR |
| 9 | PP10263 | PROXIMITY ACTUATOR SWITCH |
| 10 | A3525901 | FLUE GASKET SG14T |
| 11 | P7036726 | STEEL TANK PLUG 1/4NPT |
| 12 | 60130101 | TANK REAR ADAPTER 37.5 FLARE SWIVEL X 1/2NPT |
| | P7036729 | STEEL TANK PLUG 1/2NPT |
| 13 | A1406802 | CLAMP PROBE THERMISTOR COMPUTER/DIGITAL/SOLID STATE |
| | A1406702 | CLAMP HIGH LIMIT THERMOSTAT SG MILLIVOLT |
| | A1406902 | CLAMP TEMPERATURE PROBE SG14T I-12/3300/SS THERMOSTAT |
| | A1402102-C | CLAMP THERMOSTAT BULB SG14T MILLIVOLT |
| | A1407002 | CLAMP HIGH LIMIT SG14T |
| 14 | PP10266 | SCREW 4-40 X 1/4 ROUND HEAD ZN |
| 15 | PP10686 | SCREW 6-32 X 1/4 ROUND HEAD PHILLIPS ZN |
| 16 | PP11366 | SCREW 10-24 X 5/8 PAN HEAD SST THREAD FORMING |
| 17 | PP10023 | SCREW 10-24 X 3/8 SELF TAPPING |
| 18 | P0076100 | SCREW 10-24 X 3/4 SELF TAPPING |
| 19 | P0092300 | NUT HEX 10-24 KEP ZN |
| 20 | A3527101-C | FLUE DEFLECTOR SGC |

Tank & Flue Drawing A

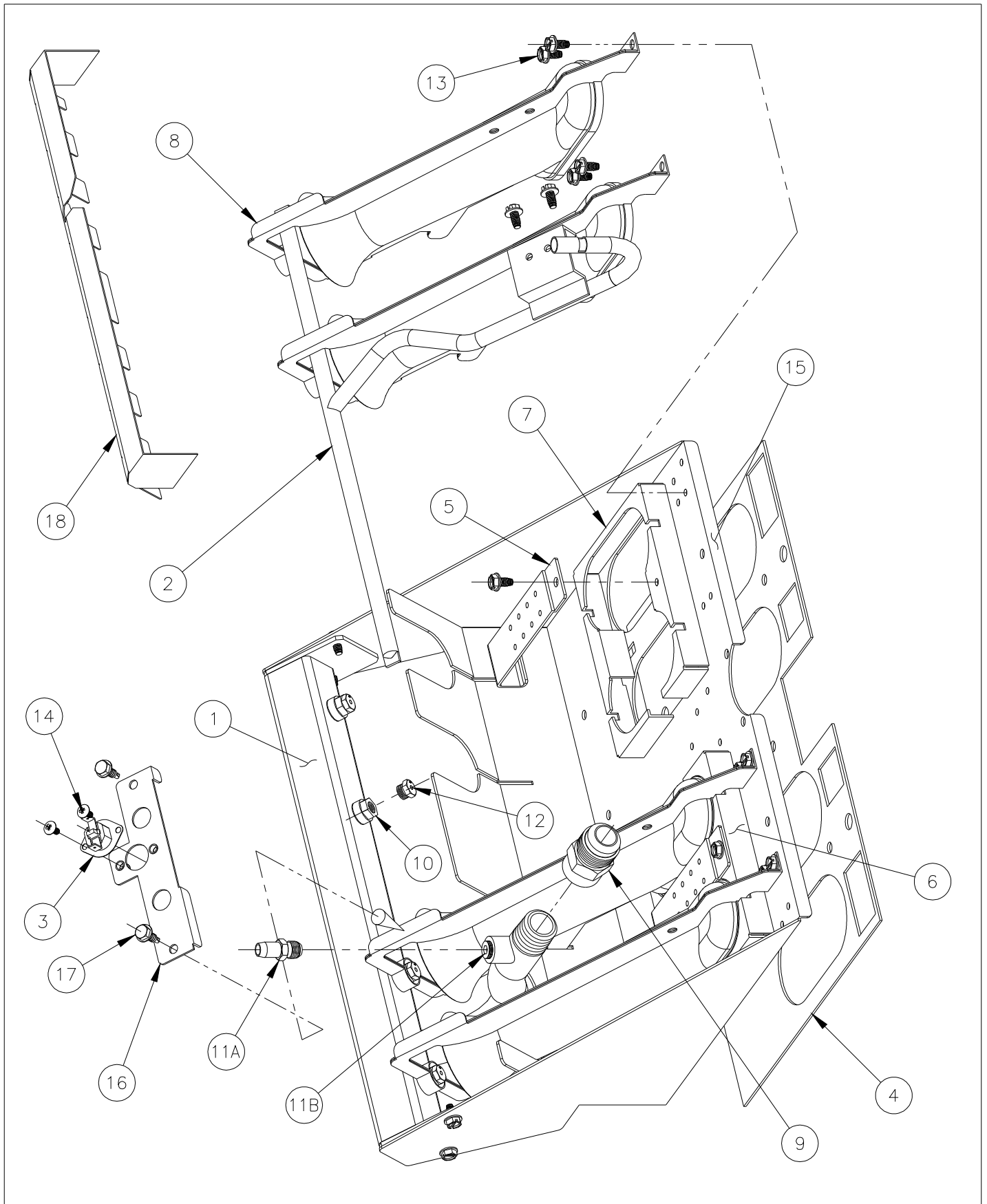


B) BURNER ASSEMBLY

Burner Assembly Drawing B Parts List B(A)

| ITEM # | PART # | PART DESCRIPTION |
|---|---|---|
| 1 | SEE PARTS LIST B(B) | BURNER MANIFOLD WELDMENT |
| 2 | B8042001 | SELF-CLEANING BURNER RUNNER TUBE SG14, SG14R |
| | B8042002 | SELF-CLEANING BURNER RUNNER TUBE SG18 |
| | B8042003 | SELF-CLEANING BURNER RUNNER TUBE LEFT-HAND SG14T |
| | B8042004 | SELF-CLEANING BURNER RUNNER TUBE RIGHT-HAND SG14T |
| 3 | 60147801 | THERMAL-LIMIT SWITCH WITH MANUAL RESET |
| 4 | A8028401 | GASKET BURNER BRACKET SG14R,SGM1824 |
| | A8039601 | GASKET BURNER BRACKET SGM24 |
| | A8039701 | GASKET BURNER BRACKET SGM34 |
| | | 3M SUPER 77 MULTIPURPOSE HIGH TACK SPRAY ADHESIVE (REQUIRED WHEN INSTALLING NEW ITEM #4) DO NOT SPRAY ADHESIVE ACROSS BURNER FACES |
| 5 | A8027701 | BURNER FLAME JUMPER SG14,SG14R,SG18,SG18F,SGC |
| | A8031601 | BURNER CROSSOVER SGM1824,SGM24,SGM34 |
| | B8034601 | BURNER FLAME JUMPER WELDMENT SG14,SG14R,SG18,SG18F |
| 6 | A8031701 | BURNER SHIELD NATURAL LEFT-HAND SGM1824 |
| | A8034901-C | BURNER COLLAR LP FULL LEFT-HAND SGM1824 |
| | A8031705 | BURNER SHIELD NATURAL LEFT-HAND SGM24 |
| | A8034907-C | BURNER COLLAR LP FULL LEFT-HAND SGM24 |
| | A8031709 | BURNER SHIELD NATURAL LEFT-HAND SGM34 |
| | A8034911-C | BURNER COLLAR LP FULL LEFT-HAND SGM34 |
| 7 | A8031703 | BURNER SHIELD NATURAL RIGHT-HAND SGM1824 |
| | A8034903-C | BURNER COLLAR LP FULL RIGHT-HAND SGM1824 |
| | A8031707 | BURNER SHIELD NATURAL RIGHT-HAND SGM24 |
| | A8034909-C | BURNER COLLAR LP FULL RIGHT-HAND SGM24 |
| | A8031711 | BURNER SHIELD NATURAL RIGHT-HAND SGM34 |
| | A8034913-C | BURNER COLLAR LP FULL RIGHT-HAND SGM34 |
| 8 | B8037301-C | BURNER SLOTTED-FACE NATURAL |
| | B8037302-C | BURNER SLOTTED-FACE LP |
| | B8041901 | BURNER INCONEL 601 WIRE-FACE SCREEN NATURAL SCB & LP (REPLACES B8030001) |
| 9 | 60127501 | FITTING ADAPTER FLARED 15/16-16 UN-2A X 1/2 FNPT BRASS |
| 10 | 60129701 | FITTING 1/4 MNPT X .344-32 UNS ORIFICE TIP BRASS |
| 11A | 60132801 | FITTING TEST PRESSURE PLUG 1/8-27 (CE) |
| 11B | N/A | PLUG 1/8 NPT 3/16 HEX SOCKET STEEL |
| 12 | SEE PARTS LIST B(B) | ORIFICE TIP |
| 13 | PP10023 | SCREW 10-24 X 3/8 SELF TAPPING |
| 14 | PP10687 | SCREW 6-32 X 5/16 TRUSS HEAD PHILLIPS ZN |
| 15 | SEE PARTS LIST B(B) | BURNER BRACKET |
| 16 | A2036904-C | SELF-CLEANING BURNER HIGH-LIMIT BRACKET SG14, SG14R, SG18 |
| | A2036902-C | SELF-CLEANING BURNER HIGH-LIMIT BRACKET LEFT-HAND SG14T |
| | A2036906-C | SELF-CLEANING BURNER HIGH-LIMIT BRACKET RIGHT-HAND SG14T |
| 17 | P0075300 | SCREW 10-16 X 5/8 HEX HEAD SELF-DRILLING |
| 18 | A8039901 | BURNER SHROUD SGM34 |
| 19 NOT SHOWN (INCLUDES ITEMS: 1, 5- 10, 11B, 13, 15, & 18) | B8031603 | BURNER ASSEMBLY INCONEL 601 WIRE-FACE SG14 |
| | B8031702 | BURNER ASSEMBLY SLOT FACE NATURAL SG14R |
| | B8031705 | BURNER ASSEMBLY INCONEL 601 WIRE-FACE SG14R |
| | B8031803 | BURNER ASSEMBLY INCONEL 601 WIRE-FACE SG18 |
| | B8033002 | BURNER ASSEMBLY INCONEL 601 WIRE-FACE SG14T |
| | B8042602 | BURNER ASSEMBLY INCONEL 601 WIRE-FACE SGM1824 |
| | B8042702 | BURNER ASSEMBLY INCONEL 601 WIRE-FACE SGM24 |
| B8042802 | BURNER ASSEMBLY INCONEL 601 WIRE-FACE SGM34 | |

Burner Assembly Drawing B



Burner Assembly Drawing B Parts List B(B)

| ITEM # | PART # | PART DESCRIPTION |
|----------|------------------------|---|
| 1 | B8029701 | BURNER MANIFOLD WELDMENT SG18F |
| | B8029801 | BURNER MANIFOLD WELDMENT SG18 |
| | B8029901 | BURNER MANIFOLD ASSEMBLY SG14T |
| | B8035301 | BURNER MANIFOLD WELDMENT SGC |
| | B8039101 | BURNER MANIFOLD WELDMENT CENTER-TAP SG14, SG14R (REPLACES B8029701) |
| | B8042301 | BURNER MANIFOLD WELDMENT SGM1824 |
| | B8042401 | BURNER MANIFOLD WELDMENT SGM24 |
| | B8042501 | BURNER MANIFOLD WELDMENT SGM34 |
| 12 | A7513701 | ORIFICE TIP 1.45mm DIA |
| | P6071309 | ORIFICE TIP 1/16 DIA |
| | P6071336 | ORIFICE TIP #36 DIA |
| | P6071337 | ORIFICE TIP #37 DIA |
| | P6071338 | ORIFICE TIP #38 DIA |
| | P6071339 | ORIFICE TIP #39 DIA |
| | P6071340 | ORIFICE TIP #40 DIA |
| | P6071341 | ORIFICE TIP #41 DIA |
| | P6071342 | ORIFICE TIP #42 DIA |
| | P6071343 | ORIFICE TIP #43 DIA |
| | P6071344 | ORIFICE TIP #44 DIA |
| | P6071353 | ORIFICE TIP #53 DIA |
| | P6071354 | ORIFICE TIP #54 DIA |
| | P6071355 | ORIFICE TIP #55 DIA |
| PP10859 | ORFICE TIP 1.51 mm DIA | |
| 15 | A8027901 | BURNER BRACKET SG14 |
| | A8028001 | BURNER BRACKET SG14R |
| | A8028101 | BURNER BRACKET SG14T |
| | A8028201 | BURNER BRACKET SG18 |
| | A8033201 | BURNER BRACKET SGC |
| | A8033701 | BURNER BRACKET SG18F |
| | A8039301 | BURNER BRACKET SGM1824 |
| | A8039401 | BURNER BRACKET SGM24 |
| A8039501 | BURNER BRACKET SGM34 | |



This Page Left Intentionally Blank

C) GAS TRAIN

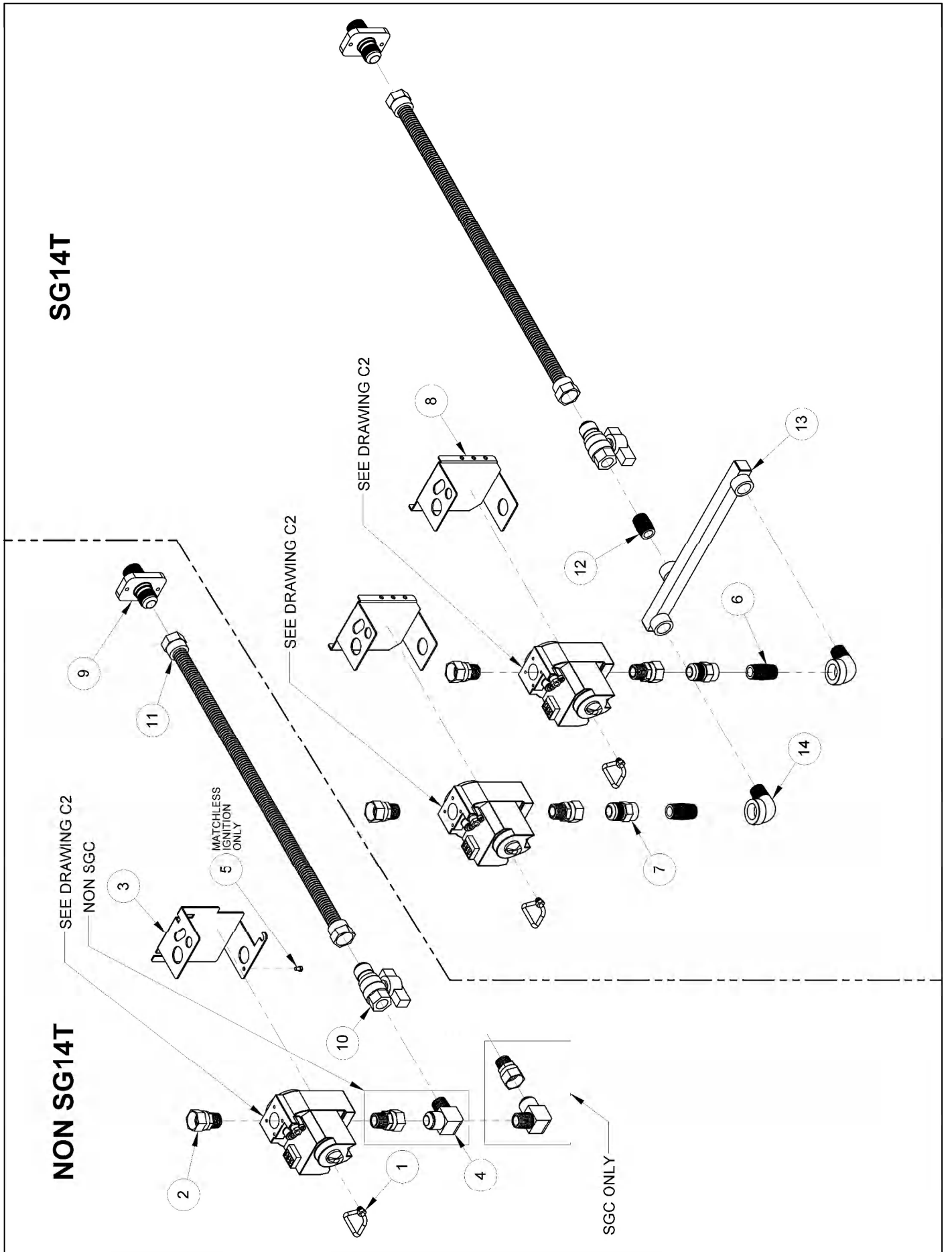
Gas Train Drawing C1 Parts List

| ITEM# | PART# | PART DESCRIPTION |
|-------|----------------------------|---|
| 1 | 60125901 | TUBE, VENT GAS VALVE |
| 2 | 60127601 | FITTING, ADAPTER FEMALE SWIVEL X 1/2 MPT |
| 3 | A8029001-C | PIPING, VALVE SHIELD SG, SGC, SG18F |
| | A8032101-C | PIPING, VALVE SHIELD SGM 24V |
| 4 | 60127401 | FITTING, ELBOW MALE FLARE X MPT |
| 5 | P0007300 | SCREW, 8-32 X 1/4 HEX HEAD SLOTTED ZN |
| 6 | P7037092 | NIPPLE, BLACK 1/2 NPT X 1.5 |
| 7 | 60127501 | FITTING, ADAPTER MALE FLARE X 1/2 FPT |
| | 60133602 | FITTING, GAS RESTRICTOR 1/2"NPT CE 3.25MM (UNREGULATED ONLY) |
| 8 | A8030101 | PIPING, VALVE SHIELD SG14T |
| 9 | A8029105 | COUPLING, GAS SUPPLY SHORT SG, MKG (PRIOR TO 2/05: USE A8029103) |
| 10 | 60128101 | VALVE, GAS SUPPLY SHUTOFF |
| 11 | 60128014 | TUBING, FLEXIBLE WITH FITTINGS 16 GAS SGC, (SG PRIOR TO 2/05) |
| | 60128015 | TUBING, FLEXIBLE WITH FITTINGS 22 GAS (SG AFTER 2/05) |
| | 60128016 | TUBING, FLEXIBLE WITH FITTINGS 28 GAS SGM, SG18F |
| 12 | P7037090 | NIPPLE, BLACK 1/2 NPT CL |
| 13 | B8034701 | PIPING, GAS INLET MANIFOLD WELDMENT SG14T |
| 14 | P7037750 | ELBOW, BLACK STREET 90 1/2 NPT |

Gas Train Drawing C1

SG14T

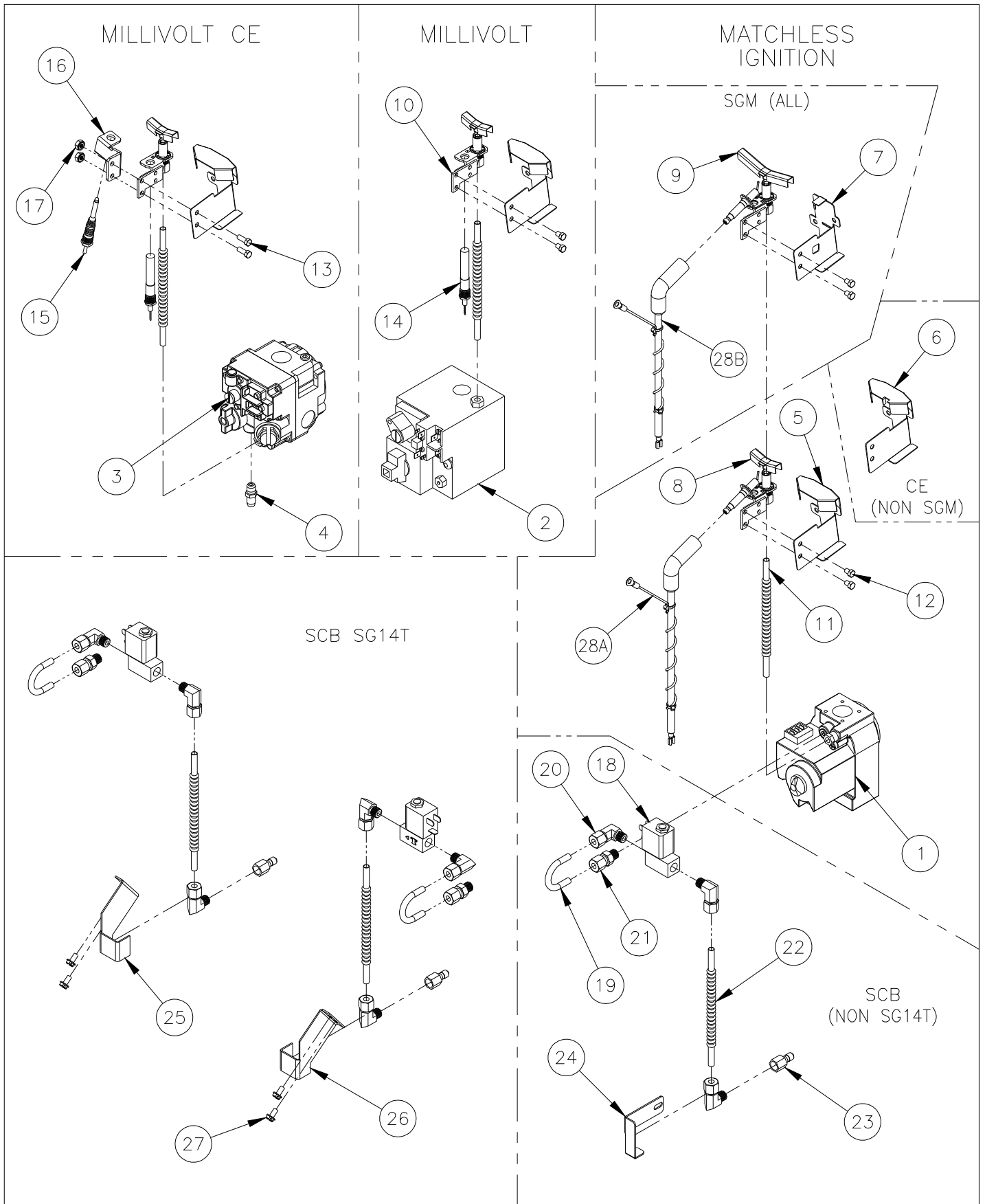
NON SG14T



Gas Train Drawing C2 Parts List

| ITEM# | PART# | PART DESCRIPTION |
|-------|------------------------------|--|
| 1 | 60113501-C | VALVE, GAS VR8204 24V FAST NAT SG |
| | 60113502-C | VALVE, GAS VR8204 24V FAST LP SG |
| | 60113503-C | VALVE, GAS VR8204 24V FAST CE NAT SG |
| | 60113504-C | VALVE, GAS VR8204 24V FAST CE LP SG |
| | 60113505-C | VALVE, GAS VR8204 24V FAST CE UNREGULATED NAT SG |
| | 60148701-C | VALVE, GAS VR8304M 24V FAST NAT SGM |
| | 60148702-C | VALVE, GAS VR8304M 24V FAST LP SGM |
| 2 | 60125201-C | VALVE, GAS VS820 NAT SG, SGC, SG18F |
| | 60125202-C | VALVE, GAS VS820 LP SG, SGC, SG18F |
| 3 | 60132901-C | VALVE, GAS U7000 CE NAT SG, SGC, SG18F |
| | 60132902-C | VALVE, GAS U7000 CE LP SG, SGC, SG18F |
| | 60132903-C | VALVE, GAS U7000 CE UNREGULATED SG, SGC, SG18F |
| 4 | 60132801 | FITTING, TEST PRESSURE PLUG |
| 5 | A8035302 | PIPING, PILOT BRACKET SG14 SG14R SG18 |
| | A8035402 | PIPING, PILOT BRACKET SG14T |
| 6 | A8035002 | PIPING, PILOT BRACKET WITH TAB SG14 SG14R SG18 |
| | A8035102 | PIPING, PILOT BRACKET WITH TAB SG14T |
| 7 | A8039802 | PIPING, PILOT BRACKET MOUNT SGM |
| 8 | 60130901 | PILOT, INLINE EI NAT 1.5 |
| | 60130902 | PILOT, INLINE EI LP 1.5 |
| 9 | 60130905 | PILOT, INLINE EI NAT 2.98 |
| | 60130906 | PILOT, INLINE EI LP 2.98 |
| 10 | 60128801 | PILOT, REVERSE STANDING NAT SG |
| | 60128802 | PILOT, REVERSE STANDING LP SG |
| 11 | 60119001 | TUBE, FLEXIBLE WITHOUT FITTINGS 18 X 1/4 OD SG, SG18F, SGC |
| | 60119011 | TUBE, FLEXIBLE WITHOUT FITTINGS 18 X 1/4 OD 3/4 STR SGM1824 |
| | 60119012 | TUBE, FLEXIBLE WITHOUT FITTINGS 30 X 1/4 OD 3/4 STR SGM24/34 |
| 12 | 60088001 | SCREW, 10-32 X 1/4 HEX HEAD SST |
| 13 | 60088006 | SCREW, 10-32 X 1/2 HEX HEAD SST |
| 14 | 60125501 | THERMOPILE, MILLIVOLT |
| 15 | P5047540 | THERMOCOUPLE T46 24 |
| 16 | A8035201 | PIPING, PILOT BRACKET ADD-ON SG CE |
| 17 | PP11373 | NUT, HEX KEP 10-32 ZN |
| 18 | 60148101 | VALVE, SOLENOID 24VAC |
| 19 | A8039001 | PIPING, TUBING SCB SG |
| 20 | P7037797 | FITTING, COMPRESSION ELBOW BRASS 1/4TU X 1/8MPT |
| 21 | PP10934 | FITTING, COMPRESSION BRASS STRAIGHT 1/4TU X 1/8MPT |
| 22 | 60119010 | TUBE, FLEXIBLE WITHOUT FITTINGS 6 X 1/4 OD |
| 23 | 2908-0940501 | ORIFICE, PILOT RUNNER TUBE #52 NAT SG14, SG14R, SG14T |
| | 2908-0940502 | ORIFICE, PILOT RUNNER TUBE #68 LP SG |
| | 2908-0940503 | ORIFICE, PILOT RUNNER TUBE #50 NAT SG18 |
| 24 | A2036701-C | CONTROL BOX, PILOT ORIFICE RETAINING BRACKET SG14 |
| 25 | A2036801-C | CONTROL BOX, PILOT ORIFICE RETAINING BRACKET SG14T LH |
| 26 | A2036802-C | CONTROL BOX, PILOT ORIFICE RETAINING BRACKET SG14T RH |
| 27 | PP10023 | SCREW, 10-24 X 3/8 SELF TAPPING |
| 28A | B6783401 | WIRING, IGNITION CABLE WITH GROUND WRAP 20" SG* |
| 28B | B6783402 | WIRING, IGNITION CABLE WITH GROUND WRAP 23" SGM* |

Gas Train Drawing C2



D) GAS CONVERSION KITS

Gas Conversion Kits Quick Reference

MILLIVOLT SYSTEM, HONEYWELL VS820 GAS VALVE

COVERING ALL COUNTRIES EXCEPT:

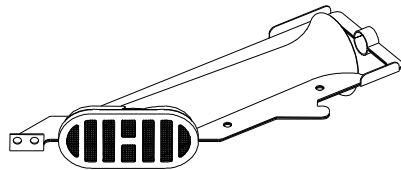
Turkey, Switzerland, Slovenia, Slavakia, Spain, Romania, Bulgaria, Czech Republic, England, Scotland, Wales, Hungary, Ireland, Luxembourg, Poland, Portugal, France, Germany, South Korea, Australia, Belgium, Cyprus, Malta, Austria, Denmark, Estonia, Finland, Greece, Italy, Latvia, Lithuania, Norway, Sweden

For these countries see parts lists D5, D6, D7, or D8

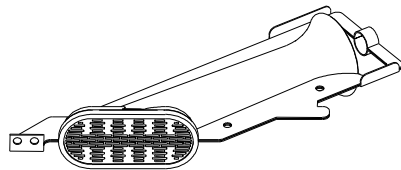
| BURNER TYPE | WIRE FACED BURNERS | | | | SLOT FACED BURNERS | | | |
|----------------------------------|----------------------------|------------|----------------------------|------------|----------------------------|------------|----------------------------|------------|
| | NAT TO LP | PARTS LIST | LP TO NAT | PARTS LIST | NAT TO LP | PARTS LIST | LP TO NAT | PARTS LIST |
| SG14 | B7510084-C | D2 | B7510081-C | D2 | B8043205-C | D1 | B8043209-C | D1 |
| SG14R | B7510085-C | D2 | B7510082-C | D2 | B8043206-C | D1 | B8043210-C | D1 |
| SG14T | B7510086-C | D2 | B7510083-C | D2 | B8043207-C | D1 | B8043211-C | D1 |
| SG18 | B7510084-C | D2 | B7510081-C | D2 | B8043208-C | D1 | B8043212-C | D1 |
| SG14 DI | B7510084-C | D2 | B7510081-C | D2 | N/A | | N/A | |
| SG14R DI | B7510085-C | D2 | B7510082-C | D2 | B8043206-C | D1 | B8043210-C | D1 |
| SG14T DI | B7510086-C | D2 | B7510083-C | D2 | N/A | | N/A | |
| SG18DI | B7510084-C | D2 | B7510081-C | D2 | N/A | | N/A | |
| SGC SHORT FLUE | N/A | | N/A | | B8043229-C | D3 | B8043230-C | D3 |
| SGC TALL FLUE (PRIOR TO 5/03) | N/A | | N/A | | B8043229-C | D3 | B8043231-C | D3 |
| SG18F | N/A | | N/A | | B8043205-C | D1 | B8043209-C | D1 |

24VAC SYSTEM, HONEYWELL VR8204 GAS VALVE (VR8304M MEGA)

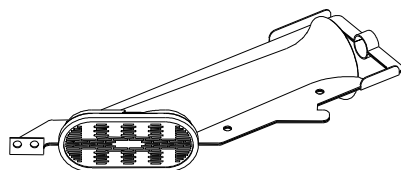
| BURNER TYPE | WIRE FACED OR SCB BURNERS | | | | SLOT FACED BURNERS | | | |
|-------------|----------------------------|------------|----------------------------|------------|----------------------------|------------|----------------------------|------------|
| | NAT TO LP | PARTS LIST | LP TO NAT | PARTS LIST | NAT TO LP | PARTS LIST | LP TO NAT | PARTS LIST |
| SG14 | B7510090-C | D2 | B7510087-C | D2 | B8043213-C | D1 | B8043217-C | D1 |
| SG14R | B7510091-C | D2 | B7510088-C | D2 | B8043214-C | D1 | B8043218-C | D1 |
| SG14T | B7510092-C | D2 | B7510089-C | D2 | B8043215-C | D1 | B8043219-C | D1 |
| SG18 | B7510090-C | D2 | B7510087-C | D2 | B8043216-C | D1 | B8043220-C | D1 |
| SGM1824 | B8043232-C | D4 | B8043233-C | D4 | N/A | | N/A | |
| SGM24 | B8043234-C | D4 | B8043235-C | D4 | N/A | | N/A | |
| SGM34 | B8043236-C | D4 | B8043237-C | D4 | N/A | | N/A | |



WIRE FACED OR
SCB BURNER

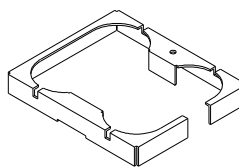


NATURAL GAS SLOT
FACED BURNER

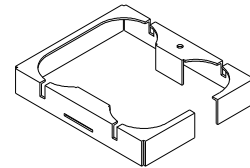


LP GAS SLOT
FACED BURNER

BURNER COLLARS (SGM ONLY)



NATURAL GAS
BURNER COLLAR



LP GAS
BURNER COLLAR

Gas Conversion Kits Slot Face Burners Parts List D1

SLOT FACED BURNERS NATURAL TO LP

| ITEM # | MODELS | VALVE | PART # | PART DESCRIPTION | QTY |
|--------|--|--------------|------------|--|-----|
| 1 | SG14,SG18F | VS820 | B8043205-C | GAS CONV KIT SLOT FACED NAT TO LP VS820 SG14 | |
| | SG14R, SG14RDI | VS820 | B8043206-C | GAS CONV KIT SLOT FACED NAT TO LP VS820 SG14R | |
| | SG14T | VS820 | B8043207-C | GAS CONV KIT SLOT FACED NAT TO LP VS820 SG14T | |
| | SG18 | VS820 | B8043208-C | GAS CONV KIT SLOT FACED NAT TO LP VS820 SG18 | |
| | SG14 | VR8204 | B8043213-C | GAS CONV KIT SLOT FACED NAT TO LP VR8204 SG14 | |
| | SG14R | VR8204 | B8043214-C | GAS CONV KIT SLOT FACED NAT TO LP VR8204 SG14R | |
| | SG14T | VR8204 | B8043215-C | GAS CONV KIT SLOT FACED NAT TO LP VR8204 SG14T | |
| | SG18 | VR8204 | B8043216-C | GAS CONV KIT SLOT FACED NAT TO LP VR8204 SG18 | |
| 1A | SG14, SG18F | VS820/VR8204 | P6071353 | ORIFICE TIP #53 DIA | 4 |
| | SG14R, SG14RDI | VS820/VR8204 | P6071309 | ORIFICE TIP 1/16 DIA | 4 |
| | SG14T | VS820/VR8204 | A7513701 | ORIFICE TIP 1.45mm DIA | 4 |
| | SG18 | VS820/VR8204 | P6071353 | ORIFICE TIP #53 DIA | 5 |
| 1B | SG14, SG18F, SG18, SG14R, SG14RDI | VS820 | 60126502 | GAS VALVE CONV KIT VS820 NAT TO LP | 1 |
| | SG14T | VS820 | 60126502 | GAS VALVE CONV KIT VS820 NAT TO LP | 2 |
| | SG14, SG18, SG14R | VR8204 | PP11141 | GAS VALVE CONV KIT VR8204 NAT TO LP | 1 |
| | SG14T | VR8204 | PP11141 | GAS VALVE CONV KIT VR8204 NAT TO LP | 2 |
| 1C | SG14, SG18F, SG18, SG14R, SG14RDI | VS820/VR8204 | P6071665 | ORFICE PILOT SPUD LP .016 DIA | 1 |
| | SG14T | VS820/VR8204 | P6071665 | ORFICE PILOT SPUD LP .016 DIA | 2 |
| 1D | SG14, SG18F, SG14T SG14R, SG14RDI, SG18 | VS820/VR8204 | PP10426 | GAS CONV NOTICE LABEL NAT TO LP | 1 |
| 1E | SG14, SG18F, SG14T, SG14R, SG14RDI | VS820/VR8204 | B8037302-C | BURNER SLOTTED-FACE 304-SST LP | 4 |
| | SG18 | VS820/VR8204 | B8037302-C | BURNER SLOTTED-FACE 304-SST LP | 5 |

SLOT FACED BURNERS LP TO NATURAL

| ITEM # | MODELS | VALVE | PART # | PART DESCRIPTION | QTY |
|--------|--|--------------|------------|--|-----|
| 1 | SG14,SG18F | VS820 | B8043209-C | GAS CONV KIT SLOT FACED LP TO NAT VS820 SG14 | |
| | SG14R, SG14RDI | VS820 | B8043210-C | GAS CONV KIT SLOT FACED LP TO NAT VS820 SG14R | |
| | SG14T | VS820 | B8043211-C | GAS CONV KIT SLOT FACED LP TO NAT VS820 SG14T | |
| | SG18 | VS820 | B8043212-C | GAS CONV KIT SLOT FACED LP TO NAT VS820 SG18 | |
| | SG14 | VR8204 | B8043217-C | GAS CONV KIT SLOT FACED LP TO NAT VR8204 SG14 | |
| | SG14R | VR8204 | B8043218-C | GAS CONV KIT SLOT FACED LP TO NAT VR8204 SG14R | |
| | SG14T | VR8204 | B8043219-C | GAS CONV KIT SLOT FACED LP TO NAT VR8204 SG14T | |
| | SG18 | VR8204 | B8043220-C | GAS CONV KIT SLOT FACED LP TO NAT VR8204 SG18 | |
| 1A | SG14, SG18F | VS820/VR8204 | P6071341 | ORIFICE TIP #41 DIA | 4 |
| | SG14R, SG14RDI | VS820/VR8204 | P6071338 | ORIFICE TIP #38 DIA | 4 |
| | SG14T | VS820/VR8204 | P6071343 | ORIFICE TIP #43 DIA | 4 |
| | SG18 | VS820/VR8204 | P6071341 | ORIFICE TIP #41 DIA | 5 |
| 1B | SG14, SG18F, SG18, SG14R, SG14RDI | VS820 | 60126501 | GAS VALVE CONV KIT VS820 LP TO NAT | 1 |
| | SG14T | VS820 | 60126501 | GAS VALVE CONV KIT VS820 LP TO NAT | 2 |
| | SG14, SG18, SG14R | VR8204 | PP11319 | GAS VALVE CONV KIT VR8204 LP TO NAT | 1 |
| | SG14T | VR8204 | PP11319 | GAS VALVE CONV KIT VR8204 LP TO NAT | 2 |
| 1C | SG14, SG18F, SG18, SG14R, SG14RDI | VS820/VR8204 | P6071666 | ORFICE PILOT SPUD NAT .022 DIA | 1 |
| | SG14T | VS820/VR8204 | P6071666 | ORFICE PILOT SPUD NAT .022 DIA | 2 |
| 1D | SG14, SG18F, SG14T SG14R, SG14RDI, SG18 | VS820/VR8204 | PP10427 | GAS CONV NOTICE LABEL LP TO NAT | 1 |
| 1E | SG14, SG18F, SG14T, SG14R, SG14RDI | VS820/VR8204 | B8037301-C | BURNER SLOTTED-FACE 304-SST NAT | 4 |
| | SG18 | VS820/VR8204 | B8037301-C | BURNER SLOTTED-FACE 304-SST NAT | 5 |

Gas Conversion Kits Wire Face Burners Parts List D2

WIRE FACED OR SCB BURNERS NATURAL TO LP

| ITEM # | MODELS | VALVE | PART # | PART DESCRIPTION | QTY |
|--------|--|--------------|----------------------------|---|-----|
| 1 | SG14, SG14DI, SG18, SG18DI | VS820 | B7510084-C | GAS CONV KIT NAT TO LP VS820 SG14,SG18 | |
| | SG14R, SG14RDI | VS820 | B7510085-C | GAS CONV KIT NAT TO LP VS820 SG14R | |
| | SG14T, SG14TDI | VS820 | B7510086-C | GAS CONV KIT NAT TO LP VS820 SG14T | |
| | SG14, SG18 | VR8204 | B7510090-C | GAS CONV KIT NAT TO LP VR8204 SG14,SG18 | |
| | SG14R | VR8204 | B7510091-C | GAS CONV KIT NAT TO LP VR8204 SG14R | |
| | SG14T | VR8204 | B7510092-C | GAS CONV KIT NAT TO LP VR8204 SG14T | |
| 1A | SG14, SG14DI, SG18, SG18DI | VS820/VR8204 | P6071353 | ORIFICE TIP #53 DIA | 5 |
| | SG14R, SG14RDI | VS820/VR8204 | P6071309 | ORIFICE TIP 1/16 DIA | 4 |
| | SG14T, SG14TDI | VS820/VR8204 | A7513701 | ORIFICE TIP 1.45mm DIA | 4 |
| 1B | SG14, SG14DI, SG14R, SG14RDI, SG18, SG18DI | VS820 | 60126502 | GAS VALVE CONV KIT VS820 NAT TO LP | 1 |
| | SG14T, SG14TDI | VS820 | 60126502 | GAS VALVE CONV KIT VS820 NAT TO LP | 2 |
| | SG14, SG18, SG14R | VR8204 | PP11141 | GAS VALVE CONV KIT VR8204 NAT TO LP | 1 |
| | SG14T | VR8204 | PP11141 | GAS VALVE CONV KIT VR8204 NAT TO LP | 2 |
| 1C | SG14, SG14DI, SG14R, SG14RDI, SG18, SG18DI | VS820/VR8204 | P6071665 | ORFICE PILOT SPUD LP .016 DIA | 1 |
| | SG14T, SG14TDI | VS820/VR8204 | P6071665 | ORFICE PILOT SPUD LP .016 DIA | 2 |
| 1D | SG14, SG14DI, SG14R, SG14T SG14TDI, SG14RDI, SG18, SG18DI | VS820/VR8204 | PP10426 | GAS CONV NOTICE LABEL NAT TO LP | 1 |

WIRE FACED OR SCB BURNERS LP TO NATURAL

| ITEM # | MODELS | VALVE | PART # | PART DESCRIPTION | QTY |
|--------|--|--------------|----------------------------|---|-----|
| 1 | SG14, SG14DI, SG18, SG18DI | VS820 | B7510081-C | GAS CONV KIT LP TO NAT VS820 SG14,SG18 | |
| | SG14R, SG14RDI | VS820 | B7510082-C | GAS CONV KIT LP TO NAT VS820 SG14R | |
| | SG14T, SG14TDI | VS820 | B7510083-C | GAS CONV KIT LP TO NAT VS820 SG14T | |
| | SG14, SG18 | VR8204 | B7510087-C | GAS CONV KIT LP TO NAT VR8204 SG14,SG18 | |
| | SG14R | VR8204 | B7510088-C | GAS CONV KIT LP TO NAT VR8204 SG14R | |
| | SG14T | VR8204 | B7510089-C | GAS CONV KIT LP TO NAT VR8204 SG14T | |
| 1A | SG14, SG14DI, SG18, SG18DI | VS820/VR8204 | P6071341 | ORIFICE TIP #41 DIA | 5 |
| | SG14R, SG14RDI | VS820/VR8204 | P6071338 | ORIFICE TIP #38 DIA | 4 |
| | SG14T, SG14TDI | VS820/VR8204 | P6071343 | ORIFICE TIP #43 DIA | 4 |
| 1B | SG14, SG14DI, SG14R, SG14RDI, SG18, SG18DI | VS820 | 60126501 | GAS VALVE CONV KIT VS820 LP TO NAT | 1 |
| | SG14T, SG14TDI | VS820 | 60126501 | GAS VALVE CONV KIT VS820 LP TO NAT | 2 |
| | SG14, SG18, SG14R | VR8204 | PP11319 | GAS VALVE CONV KIT VR8204 LP TO NAT | 1 |
| | SG14T | VR8204 | PP11319 | GAS VALVE CONV KIT VR8204 LP TO NAT | 2 |
| 1C | SG14, SG14DI, SG14R, SG14RDI, SG18, SG18DI | VS820/VR8204 | P6071666 | ORFICE PILOT SPUD NAT .022 DIA | 1 |
| | SG14T, SG14TDI | VS820/VR8204 | P6071666 | ORFICE PILOT SPUD NAT .022 DIA | 2 |
| 1D | SG14, SG14DI, SG14R, SG14T SG14TDI, SG14RDI, SG18, SG18DI | VS820/VR8204 | PP10427 | GAS CONV NOTICE LABEL LP TO NAT | 1 |

Gas Conversion Kits SGC Parts List D3

SGC SLOT FACED BURNERS NATURAL TO LP

| ITEM # | FLUE TYPE | PART # | PART DESCRIPTION | QTY |
|----------|-------------------|----------------------------|--|-----|
| 1 | TALL/SHORT | B8043229-C | GAS CONVERSION KIT SLOT FACED NAT TO LP SGC | |
| 1A | | P6071353 | ORIFICE TIP #53 DIA | 3 |
| 1B | | 60126502 | GAS VALVE CONVERSION KIT VS820 NAT TO LP | 1 |
| 1C | | P6071665 | ORFICE PILOT SPUD LP .016 DIA | 1 |
| 1D | | PP10426 | GAS CONVERSION NOTICE LABEL NAT TO LP | 1 |
| 1E | | B8037302-C | BURNER SLOTTED-FACE 304-SST LP | 3 |

SGC SLOT FACED BURNERS LP TO NATURAL

| ITEM # | FLUE TYPE | PART # | PART DESCRIPTION | QTY |
|----------|------------------------------|----------------------------|---|-----|
| 1 | SHORT | B8043230-C | GAS CONVERSION KIT SLOT FACED LP TO SHORT FLUE NAT SGC | |
| | TALL (PRIOR TO 05/03) | B8043231-C | GAS CONVERSION KIT SLOT FACED LP TO TALL FLUE NAT SGC | |
| 1A | SHORT | P6071343 | ORIFICE TIP #43 DIA | 3 |
| | TALL (PRIOR TO 05/03) | P6071342 | ORIFICE TIP #42 DIA | 3 |
| 1B | TALL/SHORT | 60126501 | GAS VALVE CONVERSION KIT VS820 LP TO NAT | 1 |
| 1C | TALL/SHORT | P6071666 | ORFICE PILOT SPUD NAT .022 DIA | 1 |
| 1D | TALL/SHORT | PP10427 | GAS CONVERSION NOTICE LABEL LP TO NAT | 1 |
| 1E | TALL/SHORT | B8037301-C | BURNER SLOTTED-FACE 304-SST NAT | 3 |

Gas Conversion Kits SGM Parts List D4

SGM WIRE FACED BURNERS NATURAL TO LP

| ITEM # | MODELS | PART # | PART DESCRIPTION | QTY |
|--------|-----------------------|-------------------|--|-----|
| 1 | SGM1824 | B8043232-C | GAS CONVERSION KIT NAT TO LP WITH SCB SGM1824 | |
| | SGM24 | B8043234-C | GAS CONVERSION KIT NAT TO LP WITH SCB SGM24 | |
| | SGM34 | B8043236-C | GAS CONVERSION KIT NAT TO LP WITH SCB SGM34 | |
| 1A | SGM1824 | P6071309 | ORIFICE TIP 1/16 DIA | 4 |
| | SGM24 | P6071353 | ORIFICE TIP #53 DIA | 6 |
| | SGM34 | P6071353 | ORIFICE TIP #53 DIA | 8 |
| 1B | SGM1824, SGM24, SGM34 | PP11141 | GAS VALVE CONVERSION KIT VR8204 NAT TO LP | 1 |
| 1C | SGM1824, SGM24, SGM34 | P6071665 | ORFICE PILOT SPUD LP .016 DIA | 1 |
| 1D | SGM1824, SGM24, SGM34 | PP10426 | GAS CONVERSION NOTICE LABEL NAT TO LP | 1 |
| 1F | SGM1824 | A8034903-C | BURNER COLLAR LP FULL RIGHT-HAND SGM1824 | 1 |
| | SGM24 | A8034909-C | BURNER COLLAR LP FULL RIGHT-HAND SGM24 | 1 |
| | SGM34 | A8034913-C | BURNER COLLAR LP FULL RIGHT-HAND SGM34 | 1 |
| 1G | SGM1824 | A8034901-C | BURNER COLLAR LP FULL LEFT-HAND SGM1824 | 1 |
| | SGM24 | A8034907-C | BURNER COLLAR LP FULL LEFT-HAND SGM24 | 1 |
| | SGM34 | A8034911-C | BURNER COLLAR LP FULL LEFT-HAND SGM34 | 1 |

SGM WIRE FACED BURNERS LP TO NATURAL

| ITEM # | MODELS | PART # | PART DESCRIPTION | QTY |
|--------|-----------------------|-------------------|--|-----|
| 1 | SGM1824 | B8073233-C | GAS CONVERSION KIT LP TO NAT WITH SCB SGM1824 | |
| | SGM24 | B8043235-C | GAS CONVERSION KIT LP TO NAT WITH SCB SGM24 | |
| | SGM34 | B8043237-C | GAS CONVERSION KIT LP TO NAT WITH SCB SGM34 | |
| 1A | SGM1824 | P6071340 | ORIFICE TIP #40 DIA | 4 |
| | SGM24 | P6071342 | ORIFICE TIP #42 DIA | 6 |
| | SGM34 | P6071342 | ORIFICE TIP #42 DIA | 8 |
| 1B | SGM1824, SGM24, SGM34 | PP11319 | GAS VALVE CONVERSION KIT VR8204 LP TO NAT | 1 |
| 1C | SGM1824, SGM24, SGM34 | P6071666 | ORFICE PILOT SPUD NAT .022 DIA | 1 |
| 1D | SGM1824, SGM24, SGM34 | PP10427 | GAS CONVERSION NOTICE LABEL LP TO NAT | 1 |
| 1F | SGM1824 | A8031703 | BURNER SHIELD NAT RIGHT-HAND SGM1824 | 1 |
| | SGM24 | A8031707 | BURNER SHIELD NAT RIGHT-HAND SGM24 | 1 |
| | SGM34 | A8031711 | BURNER SHIELD NAT RIGHT-HAND SGM34 | 1 |
| 1G | SGM1824 | A8031701 | BURNER SHIELD NAT LEFT-HAND SGM1824 | 1 |
| | SGM24 | A8031705 | BURNER SHIELD NAT LEFT-HAND SGM24 | 1 |
| | SGM34 | A8031709 | BURNER SHIELD NAT LEFT-HAND SGM34 | 1 |

Gas Conversion Kits Slot Face Burners (CE) Parts List D5

SLOT FACED BURNERS NATURAL TO LP (CE)

| Covering countries: | | | | | | |
|---|---|--------------|--------------|----------------------------|-------------------------------------|-----|
| Turkey, Switzerland, Slovenia, Slovakia, Spain, Romania, Bulgaria, Czech Republic, England, Scotland, Wales, Hungary, Ireland, Luxembourg, Poland, Portugal, France, Germany, Belgium | | | | | | |
| Countries not covered: | | | | | | |
| 1. Country does not use natural gas: Cyprus, Malta | | | | | | |
| 2. Not Approved for use with LP: Austria, Denmark, Estonia, Finland, Greece, Italy, Latvia, Lithuania, Norway, Sweden | | | | | | |
| 3. Not Approved for use with Slot Faced Burners: Australia, South Korea | | | | | | |
| ITEM # | MODELS | COMMENTS | VALVE | PART # | PART DESCRIPTION | QTY |
| 1A | SG14, SG14DI, SG18F | | U7000/VR8204 | P6071353 | ORIFICE TIP #53 DIA | 4 |
| | SG18, SG18DI | | U7000/VR8204 | P6071353 | ORIFICE TIP #53 DIA | 5 |
| | SG14R, SG14RDI | | U7000/VR8204 | P6071309 | ORIFICE TIP 1/16 DIA | 4 |
| | SG14T, SG14TDI | | U7000/VR8204 | A7513701 | ORIFICE TIP 1.45mm DIA | 4 |
| 1B | SG14, SG14DI, SG14R, SG14RDI, SG18F, SG18, SG18DI | NOT BELGIUM | U7000 | P6071553 | REGULATOR KIT U7000 11 LP | 1 |
| | SG14T, SG14TDI | NOT BELGIUM | U7000 | P6071553 | REGULATOR KIT U7000 11 LP | 2 |
| | SG14, SG14R | NOT BELGIUM | VR8204 | PP11141 | GAS VALVE CONV KIT VR8204 NAT TO LP | 1 |
| | SG18 | NOT BELGIUM | VR8204 | PP11141 | GAS VALVE CONV KIT VR8204 NAT TO LP | 2 |
| 1C | SG14, SG14DI, SG14R, SG14RDI, SG18F, SG18, SG18DI | | U7000/VR8204 | P6071665 | ORFICE PILOT SPUD LP .016 DIA | 1 |
| | SG14T, SG14TDI | | U7000/VR8204 | P6071665 | ORFICE PILOT SPUD LP .016 DIA | 2 |
| | SG14, SG18F, SG14T | | U7000/VR8204 | B8037302-C | BURNER SLOTTED-FACE 304-SST LP | 4 |
| 1E | SG14R, SG14RDI | | U7000/VR8204 | B8037302-C | BURNER SLOTTED-FACE 304-SST LP | 5 |
| | SG18 | | U7000/VR8204 | B8037302-C | BURNER SLOTTED-FACE 304-SST LP | 5 |
| 1H | SG14, SG14DI, SG14R, SG14RDI, SG18F, SG18, SG18DI | BELGIUM ONLY | U7000 | 60132902 | GAS VALVE, U7000 MILLIVOLT CE LP | 1 |
| | SG14T, SG14TDI | BELGIUM ONLY | U7000 | 60132902 | GAS VALVE, U7000 MILLIVOLT CE LP | 2 |
| | SG14, SG18, SG14R | BELGIUM ONLY | VR8204 | 60113504-C | GAS VALVE, VR8204 24V FAST CE LP | 1 |
| | SG14T | BELGIUM ONLY | VR8204 | 60113504-C | GAS VALVE, VR8204 24V FAST CE LP | 2 |

SLOT FACED BURNERS LP TO NATURAL (CE)

| Covering countries: | | | | | | |
|---|--|----------------------|--------------|----------------------------|---|-----|
| Turkey, Switzerland, Slovenia, Slovakia, Spain, Romania, Bulgaria, Czech Republic, England, Scotland, Wales, Hungary, Ireland, Luxembourg, Poland, Portugal, France, Germany, Belgium | | | | | | |
| Countries not covered: | | | | | | |
| 1. Country does not use natural gas: Cyprus, Malta | | | | | | |
| 2. Not Approved for use with LP: Austria, Denmark, Estonia, Finland, Greece, Italy, Latvia, Lithuania, Norway, Sweden | | | | | | |
| 3. Not Approved for use with Slot Faced Burners: Australia, South Korea | | | | | | |
| ITEM # | MODELS | COMMENTS | VALVE | PART # | PART DESCRIPTION | QTY |
| 1A | SG14, SG14DI, SG18F | | U7000/VR8204 | P6071341 | ORIFICE TIP #41 DIA | 4 |
| | SG18, SG18DI | | U7000/VR8204 | P6071341 | ORIFICE TIP #41 DIA | 5 |
| | SG14R, SG14RDI | | U7000/VR8204 | P6071338 | ORIFICE TIP #38 DIA | 4 |
| | SG14T, SG14TDI | | U7000/VR8204 | P6071343 | ORIFICE TIP #43 DIA | 4 |
| 1B | SG14, SG14DI, SG14R, SG14R, SG14RDI | NOT BELGIUM | U7000 | P6071551 | REGULATOR KIT U7000 3.5 NAT | 1 |
| | SG18, SG18DI | NOT BELGIUM | | | | |
| | SG14T, SG14TDI | NOT BELGIUM | U7000 | P6071551 | REGULATOR KIT U7000 3.5 NAT | 2 |
| | SG14, SG14R | NOT BELGIUM | VR8204 | PP11319 | GAS VALVE CONV KIT VR8204 LP TO NAT | 1 |
| | SG18 | NOT BELGIUM | VR8204 | PP11319 | GAS VALVE CONV KIT VR8204 LP TO NAT | 2 |
| 1C | SG14T | NOT BELGIUM | VR8204 | PP11319 | GAS VALVE CONV KIT VR8204 LP TO NAT | 2 |
| | SG14, SG14DI, SG14R, SG14R, SG14RDI | | U7000/VR8204 | P6071666 | ORFICE PILOT SPUD NAT .022 DIA | 1 |
| | SG18, SG18DI | | U7000/VR8204 | P6071666 | ORFICE PILOT SPUD NAT .022 DIA | 2 |
| 1E | SG14T, SG14TDI | | U7000/VR8204 | P6071666 | ORFICE PILOT SPUD NAT .022 DIA | 2 |
| | SG14, SG18F, SG14T | | U7000/VR8204 | B8037301-C | BURNER SLOTTED-FACE 304-SST NAT | 4 |
| 1H | SG14R, SG14RDI | | U7000/VR8204 | B8037301-C | BURNER SLOTTED-FACE 304-SST NAT | 5 |
| | SG18 | | U7000/VR8204 | B8037301-C | BURNER SLOTTED-FACE 304-SST NAT | 5 |
| | SG14, SG14DI, SG14R, SG14RDI, SG18, SG18DI | BELGIUM ONLY | U7000 | 60132903 | GAS VALVE, U7000 MILLIVOLT CE UNREGULATED | 1 |
| | SG14T, SG14TDI | BELGIUM ONLY | U7000 | 60132903 | GAS VALVE, U7000 MILLIVOLT CE UNREGULATED | 2 |
| 1I | SG14, SG18, SG14R | BELGIUM ONLY | VR8204 | 60113505-C | GAS VALVE, VR8204 24V FAST CE UNREGULATED | 1 |
| | SG14T | BELGIUM ONLY | VR8204 | 60113505-C | GAS VALVE, VR8204 24V FAST CE UNREGULATED | 2 |
| | SG14, SG14DI | BELGIUM ONLY | U7000/VR8204 | 60133203 | FITTING,GAS RESTRICTOR 3/4"NPT 4.83MM | 1 |
| | SG14R, SG14RDI | BELGIUM ONLY | U7000/VR8204 | 60133204 | FITTING,GAS RESTRICTOR 3/4"NPT 5.18MM | 1 |
| 1J | SG18, SG18DI | BELGIUM ONLY | U7000/VR8204 | 60133205 | FITTING,GAS RESTRICTOR 3/4"NPT 5.61MM | 1 |
| | SG14T, SG14TDI | BELGIUM ONLY | U7000/VR8204 | 60133602 | FITTING,GAS RESTRICTOR 1/2"NPT 3.25MM | 2 |
| | SG14, SG14DI | FRANCE, GERMANY ONLY | U7000/VR8204 | P6071337 | ORIFICE TIP #37 DIA | 4 |
| 1J | SG18, SG18DI | FRANCE, GERMANY ONLY | U7000/VR8204 | P6071338 | ORIFICE TIP #38 DIA | 5 |
| | SG14R, SG14RDI | FRANCE, GERMANY ONLY | U7000/VR8204 | P6071336 | ORIFICE TIP #36 DIA | 4 |
| | SG14T, SG14TDI | FRANCE, GERMANY ONLY | U7000/VR8204 | P6071341 | ORIFICE TIP #41 DIA | 4 |

Gas Conversion Kits Wire Face Burners (CE and Australia) Parts List D6

WIRE FACED OR SCB BURNERS NATURAL TO LP (CE, AUSTRALIA, SOUTH KOREA)

| Covering countries: | | | | | | |
|---|---|--|------------------|--------------------|--|--------|
| Turkey, Switzerland, Slovenia, Slovakia, Spain, Romania, Bulgaria, Czech Republic, England, Scotland, Wales, Hungary, Ireland, Luxembourg, Poland, Portugal, France, Germany, South Korea, Australia, Belgium | | | | | | |
| Countries not covered: | | | | | | |
| 1. Country does not use natural gas: Cyprus, Malta | | | | | | |
| 2. Not Approved for use with LP: Austria, Denmark, Estonia, Finland, Greece, Italy, Latvia, Lithuania, Norway, Sweden | | | | | | |
| ITEM # | MODELS | COMMENTS | VALVE | PART # | PART DESCRIPTION | QTY |
| 1A | SG14, SG14DI | | U7000/VR8204 | P6071353 | ORIFICE TIP #53 DIA | 4 |
| | SG18, SG18DI | NOT SOUTH KOREA | U7000/VR8204 | P6071353 | ORIFICE TIP #53 DIA | 5 |
| | SG14R, SG14RDI | | U7000/VR8204 | P6071309 | ORIFICE TIP 1/16 DIA | 4 |
| | SG14T, SG14TDI | NOT SOUTH KOREA, AUSTRALIA | U7000/VR8204 | A7513701 | ORIFICE TIP 1.45mm DIA | 4 |
| | SG14T, SG14TDI | AUSTRALIA ONLY | U7000/VR8204 | P6071353 | ORIFICE TIP #55 DIA | 4 |
| 1B | SG14, SG14DI, SG14R, SG14RDI | NOT BELGIUM | U7000 | P6071553 | REGULATOR KIT U7000 11 LP | 1 |
| | SG18, SG18DI | NOT SOUTH KOREA, BELGIUM | U7000 | P6071553 | REGULATOR KIT U7000 11 LP | 2 |
| | SG14T, SG14TDI | NOT SOUTH KOREA, BELGIUM | U7000 | P6071553 | REGULATOR KIT U7000 11 LP | 2 |
| | SG14, SG14R | NOT BELGIUM | VR8204 | PP11141 | GAS VALVE CONV KIT VR8204 NAT TO LP | 1 |
| | SG18 SG14T | NOT SOUTH KOREA, BELGIUM NOT SOUTH KOREA, BELGIUM | VR8204 VR8204 | PP11141 PP11141 | GAS VALVE CONV KIT VR8204 NAT TO LP GAS VALVE CONV KIT VR8204 NAT TO LP | 1 2 |
| 1C | SG14, SG14DI, SG14R, SG14RDI | | U7000/VR8204 | P6071665 | ORFICE PILOT SPUD LP .016 DIA | 1 |
| | SG18, SG18DI | NOT SOUTH KOREA | U7000/VR8204 | P6071665 | ORFICE PILOT SPUD LP .016 DIA | 2 |
| | SG14T, SG14TDI | NOT SOUTH KOREA | U7000/VR8204 | P6071665 | ORFICE PILOT SPUD LP .016 DIA | 2 |
| 1H | SG14, SG14DI, SG14R, SG14RDI, SG18, SG18DI | BELGIUM ONLY | U7000 | 60132902 | GAS VALVE, U7000 MILLIVOLT CE LP | 1 |
| | SG14T, SG14TDI | BELGIUM ONLY | U7000 | 60132902 | GAS VALVE, U7000 MILLIVOLT CE LP | 2 |
| | SG14, SG18, SG14R | BELGIUM ONLY | VR8204 | 60113504-C | GAS VALVE, VR8204 24V FAST CE LP | 1 |
| | SG14T | BELGIUM ONLY | VR8204 | 60113504-C | GAS VALVE, VR8204 24V FAST CE LP | 2 |

WIRE FACED OR SCB BURNERS LP TO NATURAL (CE, AUSTRALIA, SOUTH KOREA)

| Covering countries: | | | | | | |
|---|---|--|------------------|--------------------|--|--------|
| Turkey, Switzerland, Slovenia, Slovakia, Spain, Romania, Bulgaria, Czech Republic, England, Scotland, Wales, Hungary, Ireland, Luxembourg, Poland, Portugal, France, Germany, South Korea, Australia, Belgium | | | | | | |
| Countries not covered: | | | | | | |
| 1. Country does not use natural gas: Cyprus, Malta | | | | | | |
| 2. Not Approved for use with LP: Austria, Denmark, Estonia, Finland, Greece, Italy, Latvia, Lithuania, Norway, Sweden | | | | | | |
| ITEM # | MODELS | COMMENTS | VALVE | PART # | PART DESCRIPTION | QTY |
| 1A | SG14, SG14DI | | U7000/VR8204 | P6071341 | ORIFICE TIP #41 DIA | 4 |
| | SG18, SG18DI | NOT SOUTH KOREA, AUSTRALIA | U7000/VR8204 | P6071341 | ORIFICE TIP #41 DIA | 5 |
| | SG18, SG18DI | AUSTRALIA ONLY | U7000/VR8204 | P6071342 | ORIFICE TIP #42 DIA | 5 |
| | SG14R, SG14RDI | | U7000/VR8204 | P6071338 | ORIFICE TIP #38 DIA | 4 |
| | SG14T, SG14TDI | NOT SOUTH KOREA, AUSTRALIA | U7000/VR8204 | P6071343 | ORIFICE TIP #43 DIA | 4 |
| | SG14T, SG14TDI | AUSTRALIA ONLY | U7000/VR8204 | P6071344 | ORIFICE TIP #44 DIA | 4 |
| 1B | SG14, SG14DI, SG14R, SG14RDI | NOT BELGIUM | U7000 | P6071551 | REGULATOR KIT U7000 3.5 NAT | 1 |
| | SG18, SG18DI | NOT SOUTH KOREA, BELGIUM | U7000 | P6071551 | REGULATOR KIT U7000 3.5 NAT | 2 |
| | SG14T, SG14TDI | NOT SOUTH KOREA, BELGIUM | U7000 | P6071551 | REGULATOR KIT U7000 3.5 NAT | 2 |
| | SG14, SG14R | NOT BELGIUM | VR8204 | PP11319 | GAS VALVE CONV KIT VR8204 LP TO NAT | 1 |
| | SG18 SG14T | NOT SOUTH KOREA, BELGIUM NOT SOUTH KOREA, BELGIUM | VR8204 VR8204 | PP11319 PP11319 | GAS VALVE CONV KIT VR8204 LP TO NAT GAS VALVE CONV KIT VR8204 LP TO NAT | 1 2 |
| 1C | SG14, SG14DI, SG14R, SG14RDI | | U7000/VR8204 | P6071666 | ORFICE PILOT SPUD NAT .022 DIA | 1 |
| | SG18, SG18DI | NOT SOUTH KOREA | U7000/VR8204 | P6071666 | ORFICE PILOT SPUD NAT .022 DIA | 2 |
| | SG14T, SG14TDI | | U7000/VR8204 | P6071666 | ORFICE PILOT SPUD NAT .022 DIA | 2 |
| 1H | SG14, SG14DI, SG14R, SG14RDI, SG18, SG18DI | BELGIUM ONLY | U7000 | 60132903 | GAS VALVE, U7000 MILLIVOLT CE UNREGULATED | 1 |
| | SG14T, SG14TDI | BELGIUM ONLY | U7000 | 60132903 | GAS VALVE, U7000 MILLIVOLT CE UNREGULATED | 2 |
| | SG14, SG18, SG14R | BELGIUM ONLY | VR8204 | 60113505-C | GAS VALVE, VR8204 24V FAST CE UNREGULATED | 1 |
| | SG14T | BELGIUM ONLY | VR8204 | 60113505-C | GAS VALVE, VR8204 24V FAST CE UNREGULATED | 2 |
| 1I | SG14, SG14DI | BELGIUM ONLY | U7000/VR8204 | 60133203 | FITTING,GAS RESTRICTOR 3/4"NPT 4.83MM | 1 |
| | SG14R, SG14RDI | BELGIUM ONLY | U7000/VR8204 | 60133204 | FITTING,GAS RESTRICTOR 3/4"NPT 5.18MM | 1 |
| | SG18, SG18DI | BELGIUM ONLY | U7000/VR8204 | 60133205 | FITTING,GAS RESTRICTOR 3/4"NPT 5.61MM | 1 |
| | SG14T, SG14TDI | BELGIUM ONLY | U7000/VR8204 | 60133602 | FITTING,GAS RESTRICTOR 1/2"NPT 3.25MM | 2 |
| 1J | SG14, SG14DI | FRANCE, GERMANY ONLY | U7000/VR8204 | P6071337 | ORIFICE TIP #37 DIA | 4 |
| | SG18, SG18DI | FRANCE, GERMANY ONLY | U7000/VR8204 | P6071338 | ORIFICE TIP #38 DIA | 5 |
| | SG14R, SG14RDI | FRANCE, GERMANY ONLY | U7000/VR8204 | P6071336 | ORIFICE TIP #36 DIA | 4 |
| | SG14T, SG14TDI | FRANCE, GERMANY ONLY | U7000/VR8204 | P6071341 | ORIFICE TIP #41 DIA | 4 |

SGC SLOT FACED BURNERS NATURAL TO LP (CE)

Covering countries:

Turkey, Switzerland, Slovenia, Slovakia, Spain, Romania, Bulgaria, Czech Republic, England, Scotland, Wales, Hungary, Ireland, Luxembourg, Poland, Portugal, France, Germany, Belgium

Countries not covered:

1. Country does not use natural gas: Cyprus, Malta

2. Not Approved for use with LP: Austria, Denmark, Estonia, Finland, Greece, Italy, Latvia, Lithuania, Norway, Sweden

3. Not Approved for use with Slot Faced Burners: Australia, South Korea

| ITEM # | COMMENTS | PART # | PART DESCRIPTION | QTY |
|--------|--------------|----------------------------|----------------------------------|-----|
| 1A | | P6071354 | ORIFICE TIP #54 DIA | 3 |
| 1B | NOT BELGIUM | P6071553 | REGULATOR KIT U7000 11 LP | 1 |
| 1C | | P6071665 | ORFICE PILOT SPUD LP .016 DIA | 1 |
| 1E | | B8037302-C | BURNER SLOTTED-FACE 304-SST LP | 3 |
| 1H | BELGIUM ONLY | 60132902 | GAS VALVE, U7000 MILLIVOLT CE LP | 1 |

SGC SLOT FACED BURNERS LP TO NATURAL (CE)

Covering countries:

Turkey, Switzerland, Slovenia, Slovakia, Spain, Romania, Bulgaria, Czech Republic, England, Scotland, Wales, Hungary, Ireland, Luxembourg, Poland, Portugal, France, Germany, Belgium

Countries not covered:

1. Country does not use natural gas: Cyprus, Malta

2. Not Approved for use with LP: Austria, Denmark, Estonia, Finland, Greece, Italy, Latvia, Lithuania, Norway, Sweden

3. Not Approved for use with Slot Faced Burners: Australia, South Korea

| ITEM # | COMMENTS | PART # | PART DESCRIPTION | QTY |
|--------|----------------------|----------------------------|---|-----|
| 1A | | P6071343 | ORIFICE TIP #43 DIA | 3 |
| 1B | NOT BELGIUM | P6071551 | REGULATOR KIT U7000 3.5 NAT | 1 |
| 1C | | P6071666 | ORFICE PILOT SPUD NAT .022 DIA | 1 |
| 1E | | B8037301-C | BURNER SLOTTED-FACE 304-SST NAT | 4 |
| 1H | BELGIUM ONLY | 60132903 | GAS VALVE, U7000 MILLIVOLT CE UNREGULATED | 1 |
| 1I | BELGIUM ONLY | CONTACT FACTORY | FITTING,GAS RESTRICTOR 3/4"NPT 4.00MM | 1 |
| 1J | FRANCE, GERMANY ONLY | P6071340 | ORIFICE TIP #40 DIA | 3 |

Gas Conversion Kits SGM (CE) Parts List D8

SGM WIRE FACED BURNERS NATURAL TO LP (CE)

| Covering countries: | | | | | |
|--|-----------------------|----------|------------|--|-----|
| Turkey, Switzerland, Slovenia, Slovakia, Spain, Romania, Bulgaria, Czech Republic, England, Scotland, Wales, Hungary, Ireland, Luxembourg, Poland, Portugal, France, Germany | | | | | |
| Countries not covered: | | | | | |
| 1. Country does not use natural gas: Cyprus, Malta | | | | | |
| 2. Not Approved for use with LP: Austria, Denmark, Estonia, Finland, Greece, Italy, Latvia, Lithuania, Norway, Sweden | | | | | |
| 3. Models not Approved for use with LP or Natural gas: Australia, South Korea | | | | | |
| 4. No Gas Valve available for Unregulated Natural gas: Belgium | | | | | |
| ITEM # | MODELS | COMMENTS | PART # | PART DESCRIPTION | QTY |
| 1A | SGM1824 | | P6071309 | ORIFICE TIP 1/16 DIA | 4 |
| | SGM24 | | A7513701 | ORIFICE TIP 1.45mm DIA | 6 |
| | SGM34 | | PP10859 | ORIFICE TIP 1.51mm DIA | 8 |
| 1B | SGM1824, SGM24, SGM34 | | PP11141 | GAS VALVE CONV KIT VR8204 NAT TO LP | 1 |
| 1C | SGM1824, SGM24, SGM34 | | P6071665 | ORFICE PILOT SPUD LP .016 DIA | 1 |
| 1F | SGM1824 | | A8034903-C | BURNER COLLAR LP FULL RIGHT-HAND SGM1824 | 1 |
| | SGM24 | | A8034909-C | BURNER COLLAR LP FULL RIGHT-HAND SGM24 | 1 |
| | SGM34 | | A8034913-C | BURNER COLLAR LP FULL RIGHT-HAND SGM34 | 1 |
| 1G | SGM1824 | | A8034901-C | BURNER COLLAR LP FULL LEFT-HAND SGM1824 | 1 |
| | SGM24 | | A8034907-C | BURNER COLLAR LP FULL LEFT-HAND SGM24 | 1 |
| | SGM34 | | A8034911-C | BURNER COLLAR LP FULL LEFT-HAND SGM34 | 1 |

SGM WIRE FACED BURNERS LP TO NATURAL (CE)

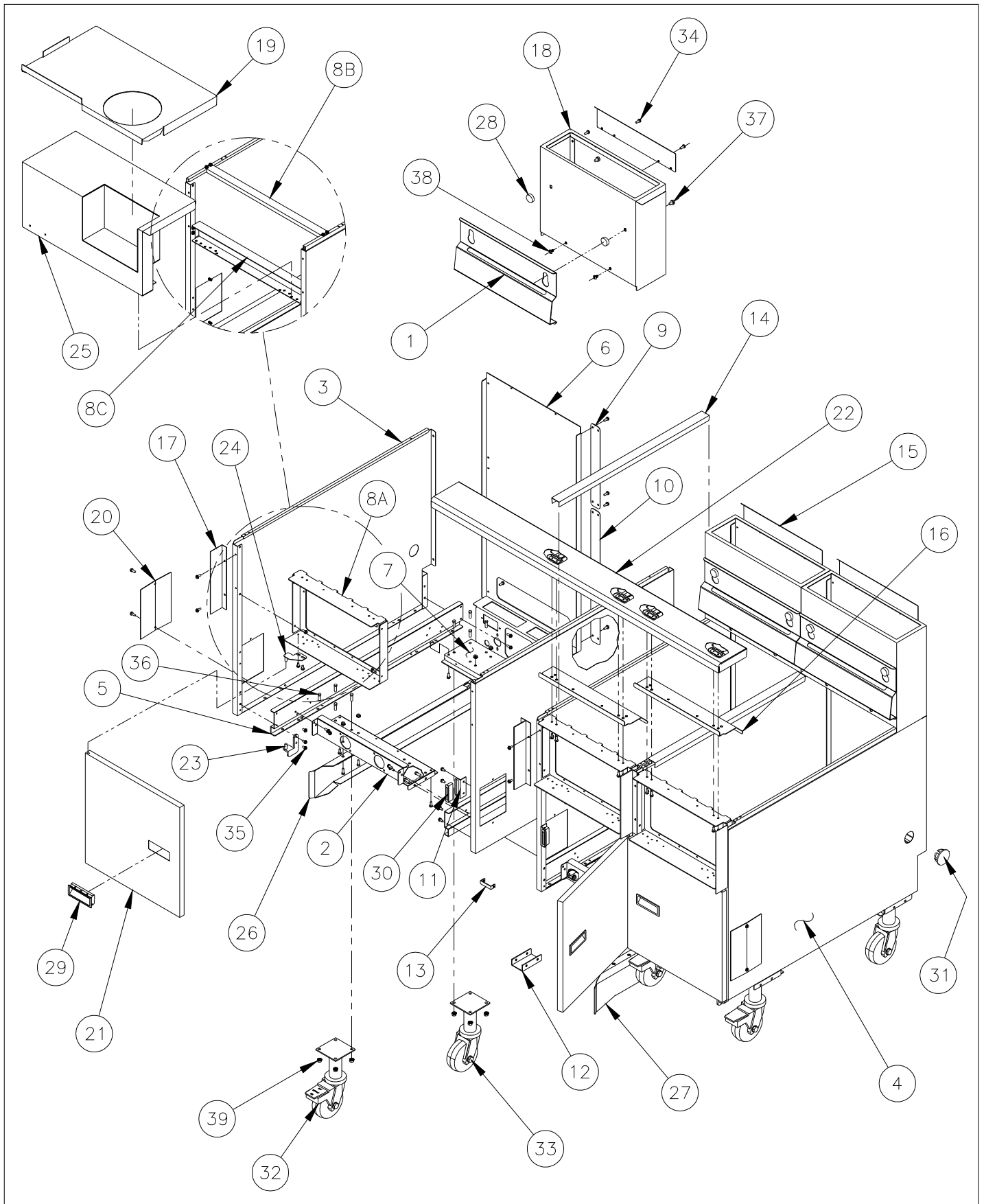
| Covering countries: | | | | | |
|--|-----------------------|----------------------|----------|--------------------------------------|-----|
| Turkey, Switzerland, Slovenia, Slovakia, Spain, Romania, Bulgaria, Czech Republic, England, Scotland, Wales, Hungary, Ireland, Luxembourg, Poland, Portugal, France, Germany | | | | | |
| Countries not covered: | | | | | |
| 1. Country does not use natural gas: Cyprus, Malta | | | | | |
| 2. Not Approved for use with LP: Austria, Denmark, Estonia, Finland, Greece, Italy, Latvia, Lithuania, Norway, Sweden | | | | | |
| 3. Models not Approved for use with LP or Natural gas: Australia, South Korea | | | | | |
| 4. No Gas Valve available for Unregulated Natural gas: Belgium | | | | | |
| ITEM # | MODELS | COMMENTS | PART # | PART DESCRIPTION | QTY |
| 1A | SGM1824 | | P6071340 | ORIFICE TIP #40 DIA | 4 |
| | SGM24 | | P6071344 | ORIFICE TIP #44 DIA | 6 |
| | SGM34 | | P6071332 | ORIFICE TIP #42 DIA | 8 |
| 1B | SGM1824, SGM24, SGM34 | | PP11319 | GAS VALVE CONV KIT VR8204 LP TO NAT | 1 |
| 1C | SGM1824, SGM24, SGM34 | | P6071666 | ORFICE PILOT SPUD NAT .022 DIA | 1 |
| 1F | SGM1824 | | A8031703 | BURNER SHIELD NAT RIGHT-HAND SGM1824 | 1 |
| | SGM24 | | A8031707 | BURNER SHIELD NAT RIGHT-HAND SGM24 | 1 |
| | SGM34 | | A8031711 | BURNER SHIELD NAT RIGHT-HAND SGM34 | 1 |
| 1G | SGM1824 | | A8031701 | BURNER SHIELD NAT LEFT-HAND SGM1824 | 1 |
| | SGM24 | | A8031705 | BURNER SHIELD NAT LEFT-HAND SGM24 | 1 |
| | SGM34 | | A8031709 | BURNER SHIELD NAT LEFT-HAND SGM34 | 1 |
| 1J | SGM1824 | FRANCE, GERMANY ONLY | P6071337 | ORIFICE TIP #37 DIA | 4 |
| | SGM24 | FRANCE, GERMANY ONLY | P6071341 | ORIFICE TIP #41 DIA | 6 |
| | SGM34 | FRANCE, GERMANY ONLY | P6071339 | ORIFICE TIP #39 DIA | 8 |

E) FRYER CABINET

Modular Cabinet Drawing E1 Parts List E1(A)

| ITEM # | PART # | PART DESCRIPTION |
|--------------------|----------------------|--|
| 1 | SEE PARTS LIST E1(B) | BASKET HANGER |
| 2 | SEE PARTS LIST E1(B) | CABINET FRONT BOTTOM BRACE |
| 3 | A1510902-C | CABINET SIDE LEFT-HAND SG18F |
| | A1511102-C | CABINET SIDE LEFT-HAND SGC |
| | A1511202-C | CABINET SIDE LEFT-HAND SG14,SG14R,SG14T,SG18 |
| | A1536102-C | CABINET SIDE LEFT-HAND SGM1824,SGM24,SGM34 |
| 4 | A1510904-C | CABINET SIDE RIGHT-HAND SG18F |
| | A1511104-C | CABINET SIDE RIGHT-HAND SGC |
| | A1511204-C | CABINET SIDE RIGHT-HAND SG14,SG14R,SG14T,SG18 |
| | A1536104-C | CABINET SIDE RIGHT-HAND SGM1824,SGM24,SGM34 |
| 5 | A1510201-C | CABINET SIDE SUPPORT MODULAR SG14,SG14R,SG14T,SG18 |
| | A1511001-C | CABINET SIDE SUPPORT SG18F |
| | A1511301-C | CABINET SIDE BRACE SGC |
| | A1536201-C | CABINET SIDE SUPPORT MODULAR SGM1824,SGM24,SGM34 |
| 6 | SEE PARTS LIST E1(B) | CABINET BACK TOP |
| 7 | SEE PARTS LIST E1(B) | CABINET BACK BOTTOM |
| 8A | A1631101-C | CABINET FRONT SPACER SG18,SG18F,SGM1824 |
| | A1846001-C | CABINET FRONT SPACER SG14,SG14R,SG14T |
| | A1846801-C | CABINET FRONT SPACER SGC |
| | A1850501-C | CABINET FRONT SPACER SGM34 |
| | A1850601-C | CABINET FRONT SPACER SGM24 |
| 8B | A5069902-C | CABINET UPPER SUPPORT PAN HOLDER SG18F |
| 8C | A5070002-C | CABINET LOWER SUPPORT PAN HOLDER SG18F |
| 9 | A1844202-C | CABINET REAR JOINING STRIP TOP REAR SG TO SG |
| 10 | A1844202-C | CABINET REAR JOINING STRIP REAR SGC TO SGC |
| | A1844204-C | CABINET REAR JOINING STRIP BOTTOM REAR SG TO SG |
| | A1847002 | BRACKET MAGNETIC CATCH |
| 11 | A1847101-C | CABINET SLAM ACTION DOOR CATCH |
| | A1848302-C | BRACKET MAGNETIC CATCH SGM24,SGM34 |
| | A1847602-C | CABINET BOTTOM BRACE JOINING STRIP SGC |
| 12 | A1847702-C | CABINET UPPER FRONT JOINING TAB SGC |
| 14 | A1907902-C | CABINET CHANNEL JOINING STRIP SG TO SG, SGM TO SGM |
| | A1907904-C | CABINET CHANNEL JOINING STRIP SGC TO SGC |
| 15 | A3526002-C | FLUE REAR HEAT DEFLECTOR SG14*,SG18 |
| 16 | SEE PARTS LIST E1(B) | FRONT PANEL HEAT SHIELD DEFLECTOR |
| 17 | A3671102-C | FRONT PANEL END CAP LH/RH SG*, SGM* |
| | A3671802-C | FRONT PANEL END CAP LH/RH SG18F |
| 18 | SEE PARTS LIST E1(B) | SPLASH BACK |
| 19 | A5069802-C | PAN HOLDER UPPER COVER SG18F |
| 20 | A6613102-C | FILTER DRAIN LINE CABINET COVER SST |
| 21 | SEE PARTS LIST E1(B) | DOOR ASSEMBLY |
| 22 | SEE PARTS LIST E1(C) | FRONT PANEL TOP DECK ASSEMBLY |
| 23 | B3801801 | HINGE WELDMENT LOWER RIGHT HAND SG* |
| | B3801802 | HINGE WELDMENT LOWER LEFT HAND SG* |
| 24 | B3802401 | HINGE WELDMENT UPPER RIGHT HAND SG* |
| | B3802402 | HINGE WELDMENT UPPER LEFT HAND SG* |
| 25 | B5008001-C | PAN HOLDER SHELF WELDMENT SG18F |
| 26 | B6663701 | FILTER PAN GUIDE LEFT HAND SFD |
| | B6670701 | FILTER PAN GUIDE LEFT HAND SFSG14,SFSG18 |
| | B6670705 | FILTER PAN GUIDE LEFT HAND SGM1824 |
| | B6682601 | FILTER PAN GUIDE LEFT HAND SGM24,SGM34 |
| 27 | B6663702 | FILTER PAN GUIDE RIGHT HAND SFD |
| | B6670702 | FILTER PAN GUIDE RIGHT HAND SFSG14,SFSG18 |
| | B6670706 | FILTER PAN GUIDE RIGHT HAND SGM1824 |
| | B6682602 | FILTER PAN GUIDE RIGHT HAND SGM24,SGM34 |
| 28 | 60132001 | STUD SPLASH BACK SCREW ON |
| 29 | 60136401 | LATCH SLAM ACTION SG14,SG14R,SG14T,SG18 |
| | PP11006 | HANDLE DOOR RECESSED PLASTIC |
| 30 | P6071300 | MAGNETIC CATCH STANDARD |
| 31 | P6071498 | HOLE PLUG 1-1/2" CHROME PLATED |
| 32 | SEE DRAWING S | FRONT CASTERS/LEGS |
| 33 | SEE DRAWING S | REAR CASTERS/LEGS |
| 34 | PP10023 | SCREW 10-24 X 3/8 SELF TAPPING |
| 35 | P0075400 | SCREW 10-24 X 1/2 SELF TAPPING |
| 36 | P0020600 | SCREW 1/4-20 X 5/8 HEX HEAD CAP ZN |
| 37 | 60118201 | BOLT 1/4-20 X 3/8 HEX FLANGE HEAD |
| 38 | 60125801 | SCREW 10-24 X 3/8 TRUSS HEAD SLOTTED LOCKING SST |
| 39 | P0093300 | NUT HEX (KEP) 10-24 ZN |
| 40 NOT SHOWN | SEE PARTS LIST E1(C) | CABINET ASSEMBLY |

Modular Cabinet Drawing E1



Modular Cabinet Drawing E1 Parts List E1(B)

| ITEM # | PART # | PART DESCRIPTION |
|------------|--|--|
| 1 | A1105402-C | BASKET HANGER SG14,SG14R,SG14T |
| | A1105404-C | BASKET HANGER SG18 |
| | A1105406-C | BASKET HANGER EXTENDED SG14,SG14R,SG14T |
| | A1105408-C | BASKET HANGER EXTENDED SG18 |
| | A1105502-C | BASKET HANGER EXTRA HIGH SG14,SG14R,SG14T |
| | A1105504-C | BASKET HANGER EXTRA HIGH SG18 |
| | A1105802-C | BASKET HANGER SGC |
| | A1106502-C | BASKET HANGER SGM1824 |
| | A1106504-C | BASKET HANGER SGM24 |
| A1106506-C | BASKET HANGER SGM34 | |
| 2 | A1234101-C | CABINET FRONT BOTTOM BRACE SGC |
| | A1234301-C | CABINET FRONT BOTTOM BRACE SG14,SG14R,SG14T |
| | A1234401-C | CABINET FRONT BOTTOM BRACE SG18,SG18F |
| | A1234501-C | CABINET FRONT BOTTOM BRACE SFSG14,SFSG14R,SFSG14T |
| | A1234601-C | CABINET FRONT BOTTOM BRACE SFSG18 |
| | A1235601-C | CABINET FRONT BOTTOM BRACE SGM34 |
| | A1235701-C | CABINET FRONT BOTTOM BRACE SGM24 |
| | A1235801-C | CABINET FRONT BOTTOM BRACE SGM1824 |
| 6 | A1631501-C | CABINET BACK TOP SGC TALL FLUE (PRIOR TO 05/2003) |
| | A1631901-C | CABINET BACK TOP SG14,SG14R,SG14T |
| | A1631903-C | CABINET BACK TOP SGBNB14 FLAT-TOP |
| | A1632201-C | CABINET BACK TOP SG18,SG18F |
| | A1632203-C | CABINET BACK TOP SGBNB18 FLAT-TOP |
| | A1632901-C | CABINET BACK TOP SGC SHORT FLUE (AFTER 05/2003) |
| | A1635801-C | CABINET BACK TOP SGM34 |
| | A1635803-C | CABINET BACK TOP SGM24 |
| A1635805-C | CABINET BACK TOP SGM1824 | |
| 7 | A1631801-C | CABINET BACK BOTTOM SG14,SG14R,SG14T |
| | A1632101-C | CABINET BACK BOTTOM SG18 |
| | A1632501-C | CABINET BACK BOTTOM SFSG14,SFSG14R,SFSG14T |
| | A1632601-C | CABINET BACK BOTTOM SFSG18 |
| | A1632701-C | CABINET BACK BOTTOM SG18F |
| | A1635901-C | CABINET BACK BOTTOM SGM34 |
| | A1636001-C | CABINET BACK BOTTOM SGM24 |
| | A1636101-C | CABINET BACK BOTTOM SGM1824 |
| 16 | A3667701-C | FRONT PANEL HEAT SHIELD DEFLECTOR SG14,SG14R,SG14T |
| | A3667703-C | FRONT PANEL HEAT SHIELD DEFLECTOR SG18 |
| | A3672101-C | FRONT PANEL HEAT SHIELD SG18F |
| | A3676501-C | FRONT PANEL HEAT SHIELD DEFLECTOR SGM1824 |
| | A3676503-C | FRONT PANEL HEAT SHIELD DEFLECTOR SGM24 |
| A3676505-C | FRONT PANEL HEAT SHIELD DEFLECTOR SGM34 | |
| 18 | A4106902-C | SPLASH BACK SG14,SG14R,SG14T |
| | A4106904-C | SPLASH BACK SG18,SG18F |
| | A4106906-C | SPLASH BACK SGBNB14 |
| | A4106908-C | SPLASH BACK SGBNB18 |
| | A4108102-C | SPLASH BACK SGC TALL FLUE (PRIOR TO 05/2003) |
| | A4108702-C | SPLASH BACK SGC SHORT FLUE |
| | A4109802-C | SPLASH BACK SGM1824 |
| | A4109804-C | SPLASH BACK SGM24 |
| | A4109806-C | SPLASH BACK SGM34 |
| 21 | B2304101-C | DOOR ASSEMBLY SG14,SG14R,SG14T |
| | B2304102-C | DOOR ASSEMBLY SG18,SGM1824 |
| | B2304601-C | DOOR ASSEMBLY SG18F |
| | B2304603-C | DOOR ASSEMBLY SGC |
| | B2304610-C | DOOR ASSEMBLY SGM24 |
| | B2304611-C | DOOR ASSEMBLY SGM34 |
| | B2305001-C | DOOR ASSEMBLY SLAM ACTION SG18 |
| B2305002-C | DOOR ASSEMBLY SLAM ACTION SG14,SG14R,SG14T | |

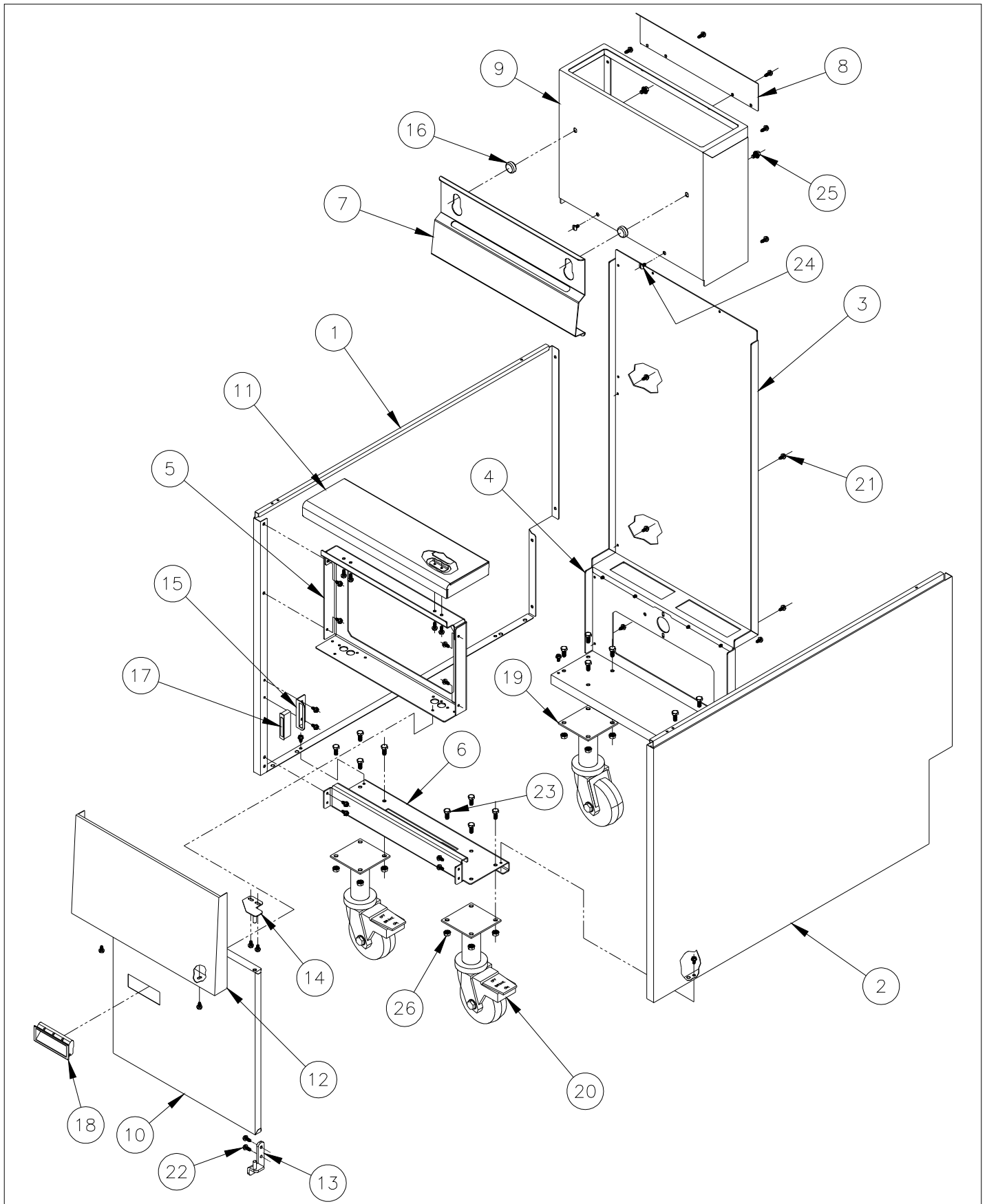
Modular Cabinet Drawing E1 Parts List E1(C)

| ITEM # | PART # | PART DESCRIPTION |
|---|--|--|
| 22 | B3633605-C | FRONT PANEL TOP DECK WELDMENT SG14,SG14R,SG14T |
| | B3633606-C | FRONT PANEL TOP DECK WELDMENT SG18 |
| | B3631207-C | FRONT PANEL TOP DECK WELDMENT SGC |
| | B3631208-C | FRONT PANEL TOP DECK WELDMENT SG18F |
| | B3633601-C | FRONT PANEL TOP DECK ASSEMBLY SG14-2 |
| | B3633602-C | FRONT PANEL TOP DECK ASSEMBLY SG18-2 |
| | B3633603-C | FRONT PANEL TOP DECK ASSEMBLY SG14/SG18 |
| | B3633604-C | FRONT PANEL TOP DECK ASSEMBLY SG18/SG14 |
| | B3633608-C | FRONT PANEL TOP DECK ASSEMBLY SGM1824 |
| | B3633609-C | FRONT PANEL TOP DECK ASSEMBLY SGM24 |
| | B3633610-C | FRONT PANEL TOP DECK ASSEMBLY SGM34 |
| | B3633611-C | FRONT PANEL TOP DECK ASSEMBLY SGM1824-2 |
| | B3633612-C | FRONT PANEL TOP DECK ASSEMBLY SGM24-2 |
| | B3633613-C | FRONT PANEL TOP DECK ASSEMBLY SGM34-2 |
| | B3633614-C | FRONT PANEL TOP DECK ASSEMBLY SGM1824/SGM24 |
| | B3633615-C | FRONT PANEL TOP DECK ASSEMBLY SGM1824/SGM34 |
| | B3633616-C | FRONT PANEL TOP DECK ASSEMBLY SGM24/SGM34 |
| | B3633617-C | FRONT PANEL TOP DECK ASSEMBLY SGM24/SGM1824 |
| | B3633618-C | FRONT PANEL TOP DECK ASSEMBLY SGM34/SGM1824 |
| | B3633619-C | FRONT PANEL TOP DECK ASSEMBLY SGM34/SGM24 |
| | B3633701-C | FRONT PANEL TOP DECK ASSEMBLY SG14-3 |
| | B3633702-C | FRONT PANEL TOP DECK ASSEMBLY SG14-2/SG18 |
| | B3633703-C | FRONT PANEL TOP DECK ASSEMBLY SG14/SG18/SG14 |
| | B3633704-C | FRONT PANEL TOP DECK ASSEMBLY SG18/SG14-2 |
| | B3633705-C | FRONT PANEL TOP DECK ASSEMBLY SG14/SG18-2 |
| | B3633706-C | FRONT PANEL TOP DECK ASSEMBLY SG18/SG14/SG18 |
| | B3633707-C | FRONT PANEL TOP DECK ASSEMBLY SG18-2/SG14 |
| | B3633708-C | FRONT PANEL TOP DECK ASSEMBLY SG18-3 |
| | B3633709-C | FRONT PANEL TOP DECK ASSEMBLY SGM1824-3 |
| | B3633801-C | FRONT PANEL TOP DECK ASSEMBLY SG14-4 |
| | B3633802-C | FRONT PANEL TOP DECK ASSEMBLY SG14-3/SG18 |
| | B3633803-C | FRONT PANEL TOP DECK ASSEMBLY SG14-2/SG18/SG14 |
| | B3633804-C | FRONT PANEL TOP DECK ASSEMBLY SG14/SG18/SG14-2 |
| | B3633805-C | FRONT PANEL TOP DECK ASSEMBLY SG18/SG14-3 |
| | B3633806-C | FRONT PANEL TOP DECK ASSEMBLY SG14-2/SG18-2 |
| | B3633807-C | FRONT PANEL TOP DECK ASSEMBLY SG14/SG18/SG14/SG18 |
| | B3633808-C | FRONT PANEL TOP DECK ASSEMBLY SG18/SG14-2/SG18 |
| | B3633809-C | FRONT PANEL TOP DECK ASSEMBLY SG14/SG18-2/SG14 |
| | B3633810-C | FRONT PANEL TOP DECK ASSEMBLY SG18/SG14/SG18/SG14 |
| | B3633811-C | FRONT PANEL TOP DECK ASSEMBLY SG18-2/SG14-2 |
| B3633812-C | FRONT PANEL TOP DECK ASSEMBLY SG18-3/SG14 | |
| B3633813-C | FRONT PANEL TOP DECK ASSEMBLY SG18-2/SG14/SG18 | |
| B3633814-C | FRONT PANEL TOP DECK ASSEMBLY SG18/SG14/SG18-2 | |
| B3633815-C | FRONT PANEL TOP DECK ASSEMBLY SG14/SG18-3 | |
| B3633816-C | FRONT PANEL TOP DECK ASSEMBLY SG18-4 | |
| B3633817-C | FRONT PANEL TOP DECK ASSEMBLY SGM1824-3/SGM34 | |
| 40 NOT SHOWN (INCLUDES ITEMS: 2-8 & 34) | B1822701-C | CABINET ASSEMBLY MODULAR ALL OPTIONS SG14,SG14R,SG14T |
| | B1822702-C | CABINET ASSEMBLY MODULAR ALL OPTIONS SG18 |
| | B1822703-C | CABINET ASSEMBLY MODULAR ALL OPTIONS SGBNB14 FLAT-TOP |
| | B1822704-C | CABINET ASSEMBLY MODULAR ALL OPTIONS SGBNB18 FLAT-TOP |
| | B1822707-C | CABINET ASSEMBLY MODULAR ALL OPTIONS SGF14,SGF14R,SGF14T |
| | B1822708-C | CABINET ASSEMBLY MODULAR ALL OPTIONS SGF18 |
| | B1822716-C | CABINET ASSEMBLY MODULAR SGM34 |
| | B1822717-C | CABINET ASSEMBLY MODULAR SGM24 |
| | B1822718-C | CABINET ASSEMBLY MODULAR SGM1824 |
| | B1824401-C | CABINET ASSEMBLY SGC TALL FLUE (PRIOR TO 05/2003) |
| | B1824402-C | CABINET ASSEMBLY SGC SHORT FLUE |
| | B1824501-C | CABINET ASSEMBLY SG18F STANDARD |
| | B1824502-C | CABINET ASSEMBLY SG18F ARTHUR TREACHER'S |

Standard Cabinet Drawing E2 Parts List

| ITEM # | PART # | PART DESCRIPTION |
|---|----------------------------|--|
| 1 | A1512002-C | CABINET SIDE LEFT-HAND SG14,SG14R,SG14T,SG18 |
| 2 | A1512004-C | CABINET SIDE RIGHT-HAND SG14,SG14R,SG14T,SG18 |
| 3 | A1635101-C | CABINET BACK SG14,SG14R,SG14T |
| | A1635103-C | CABINET BACK SG18 |
| 4 | A1635201-C | CABINET BACK BOTTOM SG14,SG14R,SG14T |
| | A1635203-C | CABINET BACK BOTTOM SG18 |
| 5 | A1849601-C | CABINET FRONT SPACER SG14,SG14R,SG14T |
| | A1849603-C | CABINET FRONT SPACER SG18 |
| 6 | A1235201-C | CABINET FRONT BOTTOM BRACE SG14,SG14R,SG14T |
| | A1235203-C | CABINET FRONT BOTTOM BRACE SG18 |
| 7 | A1105402-C | BASKET HANGER SG14,SG14R,SG14T |
| | A1105404-C | BASKET HANGER SG18 |
| 8 | A3526002-C | FLUE REAR HEAT DEFLECTOR SG14*,SG18 |
| 9 | A4106902-C | SPLASH BACK SG14,SG14R,SG14T |
| | A4106904-C | SPLASH BACK SG18 |
| 10 | B2304101-C | DOOR ASSEMBLY SG14,SG14R,SG14T |
| | B2304102-C | DOOR ASSEMBLY SG18 |
| 11 | B3630901-C | FRONT PANEL TOP DECK WELDMENT SG14,SG14R,SG14T |
| | B3630903-C | FRONT PANEL TOP DECK WELDMENT SG18 |
| 12 | B3632301-C | FRONT PANEL ASSEMBLY SG14,SG14R,SG14T |
| | B3632302-C | FRONT PANEL ASSEMBLY SG18 |
| 13 | B3801801 | HINGE WELDMENT LOWER RIGHT HAND SG* |
| 14 | B3802401 | HINGE WELDMENT UPPER RIGHT HAND SG* |
| 15 | A1847002 | BRACKET MAGNETIC CATCH |
| 16 | 60132001 | STUD SPLASH BACK SCREW ON |
| 17 | P6071300 | MAGNETIC CATCH STANDARD |
| 18 | PP11006 | HANDLE DOOR RECESSED PLASTIC |
| 19 | SEE DRAWING S | CASTER SWIVEL 9" NON-LOCKING |
| 20 | SEE DRAWING S | CASTER SWIVEL 9" LOCKING |
| N/A | SEE DRAWING S | LEG SET W/HARDWARE 9" (4-PACK) |
| 21 | PP10023 | SCREW 10-24 X 3/8 SELF TAPPING |
| 22 | P0075400 | SCREW 10-24 X 1/2 SELF TAPPING |
| 23 | P0020600 | SCREW 1/4-20 X 5/8 HEX HEAD CAP ZN |
| 24 | 60125801 | SCREW 10-24 X 3/8 TRUSS HEAD SLOTTED LOCKING SST |
| 25 | 60118201 | BOLT 1/4-20 X 3/8 HEX FLANGE HEAD |
| 26 | P0093300 | NUT HEX (KEP) 10-24 ZN |
| 27 NOT SHOWN (INCLUDES ITEMS: 1-6 & 21) | B1822302-C | CABINET ASSEMBLY STAND ALONE SG14,SG14R,SG14T |
| | B1822304-C | CABINET ASSEMBLY STAND ALONE SG18 |

Standard Cabinet Drawing E2

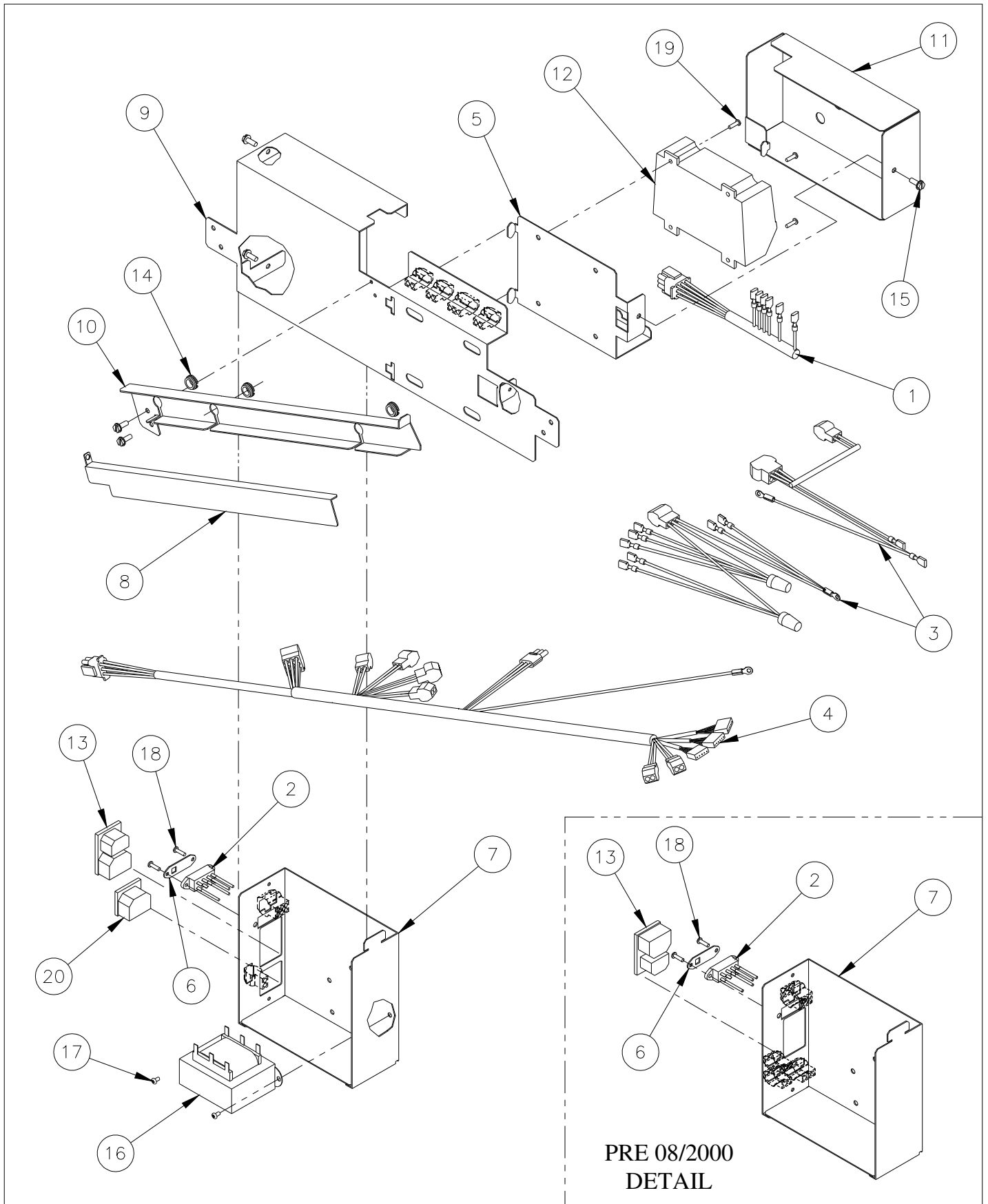


F) ENTRANCE BOX

Entrance Box Drawing F Parts List

| ITEM # | PART # | PART DESCRIPTION |
|--------|------------|--|
| 1 | B6744601 | WIRING HARNESS ELECTRONIC IGNITION MODULE RIGHT-HAND SG* |
| | B6744602 | WIRING HARNESS ELECTRONIC IGNITION MODULE LEFT-HAND SG*, SGM* |
| | B6757601 | WIRING HARNESS ELECTRONIC IGNITION MODULE LEFT-HAND CE SG*, SGM* |
| | B6757602 | WIRING HARNESS ELECTRONIC IGNITION MODULE RIGHT-HAND CE SG* |
| 2 | B6744901 | VOLTAGE SELECTOR SWITCH ASSEMBLY 120/208/220-240V |
| 3 | B6748201 | WIRING HARNESS ENTRANCE BOX TRANSFORMER (AFTER 08/2000) |
| | B6745001 | WIRING HARNESS ENTRANCE BOX TRANSFORMER (PRIOR TO 08/2000) |
| 4 | B6745201 | WIRING HARNESS SPINAL TAP LOWER SG* (USED PRIOR TO 08/2000) |
| | B6747101 | WIRING HARNESS SPINAL TAP LOWER WITH RELAY BOARD SG* |
| | B6747102 | WIRING HARNESS SPINAL TAP LOWER WIRE-REDUCTION-BOARD SGM* |
| 5 | A2957901-C | ENTRANCE BOX IGNITION MODULE BRACKET LEFT-HAND SG*, SGM* |
| | A2957903-C | ENTRANCE BOX IGNITION MODULE BRACKET RIGHT-HAND SG* |
| 6 | A2958102 | ENTRANCE BOX SWITCH COVER 120V |
| | A2958104 | ENTRANCE BOX SWITCH COVER 208V |
| | A2958106 | ENTRANCE BOX SWITCH COVER 220/240V |
| 7 | A2958401-C | ENTRANCE BOX POWER SUPPLY LEFT-HAND |
| | A2958403-C | ENTRANCE BOX POWER SUPPLY RIGHT-HAND |
| 8 | A2958601-C | ENTRANCE BOX WIRE COVER INNER LEFT-HAND SG*, SGM* (NOT USED PRIOR TO 11/2001, REQUIRES NEW ITEM #10 ON PRIOR UNITS) |
| | A2958603-C | ENTRANCE BOX WIRE COVER INNER RIGHT-HAND SG* (NOT USED PRIOR TO 11/2001, REQUIRES NEW ITEM #10 ON PRIOR UNITS) |
| 9 | A2958001-C | ENTRANCE BOX SUPPORT BRACKET LEFT-HAND SG*, SGM* |
| | A2958003-C | ENTRANCE BOX SUPPORT BRACKET RIGHT-HAND SG* |
| 10 | A2957801-C | ENTRANCE BOX WIRE COVER OUTER LEFT-HAND SG*, SGM* |
| | A2957803-C | ENTRANCE BOX WIRE COVER OUTER RIGHT-HAND SG* |
| 11 | A2959201-C | ENTRANCE BOX IGNITION MODULE SPLASH SHIELD LEFT-HAND |
| | A2959203-C | ENTRANCE BOX IGNITION MODULE SPLASH SHIELD RIGHT-HAND |
| 12 | 60102601 | ELECTRONIC IGNITION MODULE 24VAC CE SG*, SGM* |
| | 60108601 | CONTROLLER IGNITION SPARK 24VAC 90SEC SG*, SGM* |
| 13 | 60148401 | POWER CONNECTOR INLET & OUTLET IEC-320 (REPLACES 60130701, REQUIRES NEW ITEM #7 PRIOR TO 6/05) |
| 14 | 60130401 | BUSHING .512 HOLE DIA |
| 15 | PP10023 | SCREW 10-24 X 3/8 SELF TAPPING |
| 16 | PP10429 | TRANSFORMER 80VA 120/208/240V TO 24V |
| 17 | PP10686 | SCREW 6-32 X 1/4 ROUND HEAD PHILLIPS ZN |
| 18 | PP10689 | SCREW 6-32 X 1/2 ROUND HEAD PHILLIPS ZN |
| 19 | P0006300 | SCREW 6-32 X 1 ROUND HEAD ZN (USED WITH 60102601 ONLY) |
| | PP10690 | SCREW 6-32 X 1/2 TRUSS HEAD PHILLIPS ZN (USED WITH 60108601 ONLY) |
| 20 | PP11337 | RECEPTACLE 10A-250V IEC-320 SNAP-IN |

Entrance Box Drawing F

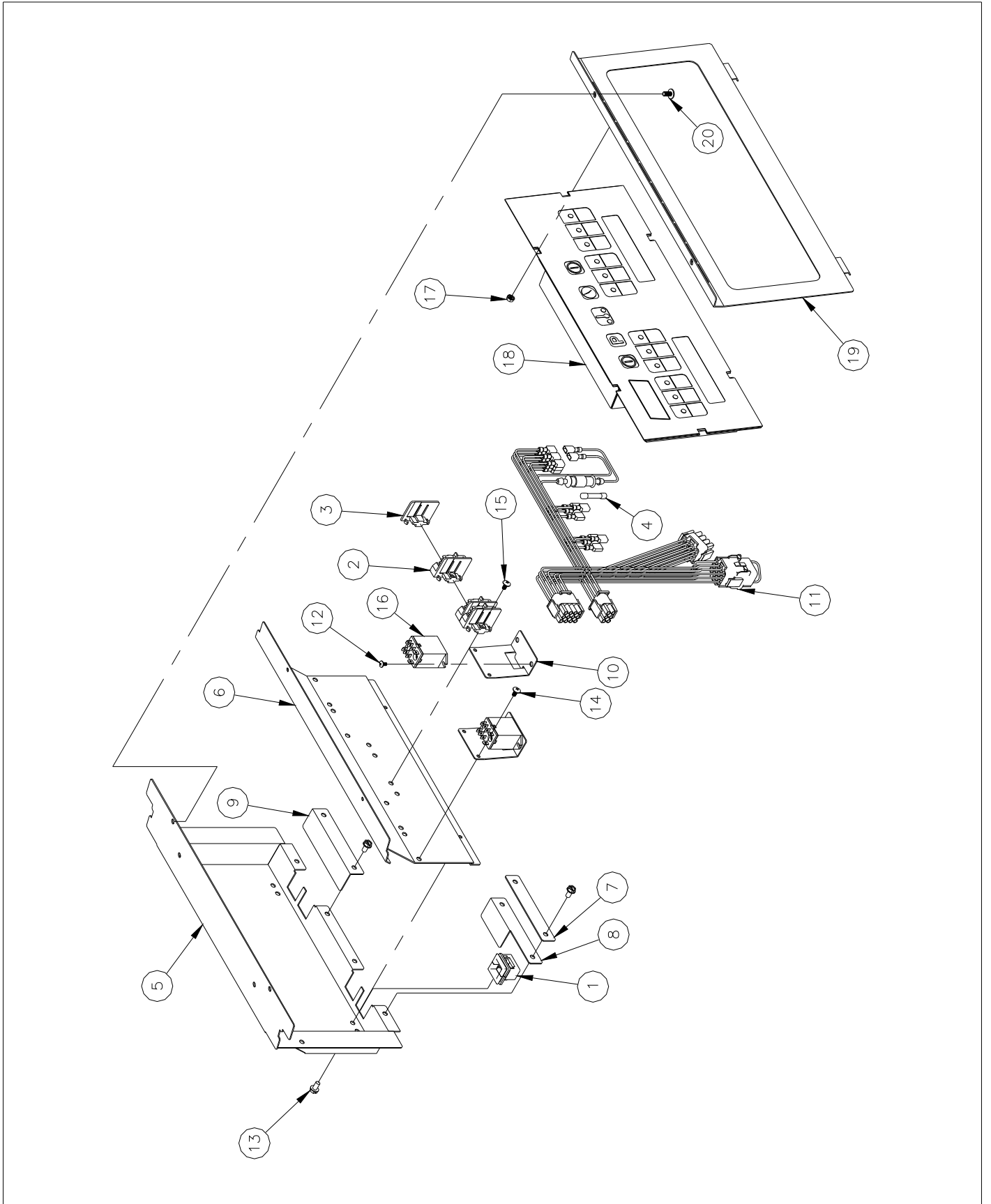


G) CONTROL BOX

Control Box Pre 8/00 Drawing G1 Parts List

| ITEM # | PART # | PART DESCRIPTION |
|--------|------------|--|
| 1 | 60130501 | STRAIN RELIEF, LAY IN |
| 2 | 60130601 | TERMINAL BLOCK, BARRIER |
| 3 | 60130602 | TERMINAL BLOCK, BARRIER END PLATE |
| 4 | 60132703 | FUSE CERAMIC 2.5A FAST-ACTING 1/4 X 1-1/4 |
| 5 | A2034201-C | CONTROL BOX, SG14, SG14T, SG14R |
| | A2034301-C | CONTROL BOX, SG18 |
| 6 | A2034401-C | CONTROL BOX, HEAT SHIELD SG14, SG14T, SG14R |
| | A2034501-C | CONTROL BOX, HEAT SHIELD SG18 |
| 7 | A2034601-C | CONTROL BOX, CABLE RETAINER SG14* WITH BACK-UP T-STAT |
| | A2034603-C | CONTROL BOX, CABLE RETAINER SG18 WITH BACK-UP T-STAT |
| 8 | A2034701-C | CONTROL BOX, CABLE RETAINER SG14* WITHOUT BACK-UP T-STAT |
| | A2035001-C | CONTROL BOX, CABLE RETAINER SG18 WITHOUT BACK-UP T-STAT |
| 9 | A2034801-C | CONTROL BOX, CABLE RETAINER SG14, SG14R |
| 10 | A2035102-C | CONTROL BOX, RELAY BRACKET SG* |
| 11 | B6746101 | WIRING HARNESS, SPINAL TAP UPPER 24V SG* |
| 12 | P0005000 | SCREW, 6-32 X 3/8 ROUND HEAD PHILLIPS |
| 13 | PP10023 | SCREW 10-24 X 3/8 SELF TAPPING |
| 14 | PP10686 | SCREW, 6-32 X 1/4 ROUND HEAD PHILLIPS |
| 15 | PP10689 | SCREW, 6-32 X 1/2 ROUND HEAD PHILLIPS |
| 16 | PP11124 | RELAY, 24VDC SPDT WITH MOUNTING TABS |
| 17 | P0092300 | NUT, 10-24 HEX (KEP) |
| 18 | 60126601 | 3300 DIGITAL T-STAT SG14, SG14R, SG18 |
| | 60126801 | 3600 COMPUTER SG14, SG18, SG14R |
| | 60126802 | 3600 COMPUTER SG14T |
| | 60126701 | 3300 DIGITAL T-STAT SG14T |
| 19 | B3631303-C | FRONT PANEL BEZEL SG14, SG14T, SG14R (COMPUTER CONTROL) |
| | B3631302-C | FRONT PANEL BEZEL SG18 (COMPUTER CONTROL) |
| | B3631801-C | FRONT PANEL BEZEL SG14, SG14T, SG14R (BLANK) |
| | B3631802-C | FRONT PANEL BEZEL SG18 (BLANK) |
| 20 | PP10690 | SCREW, 6-32 X 1/2 TRUSS HEAD PHILLIPS |

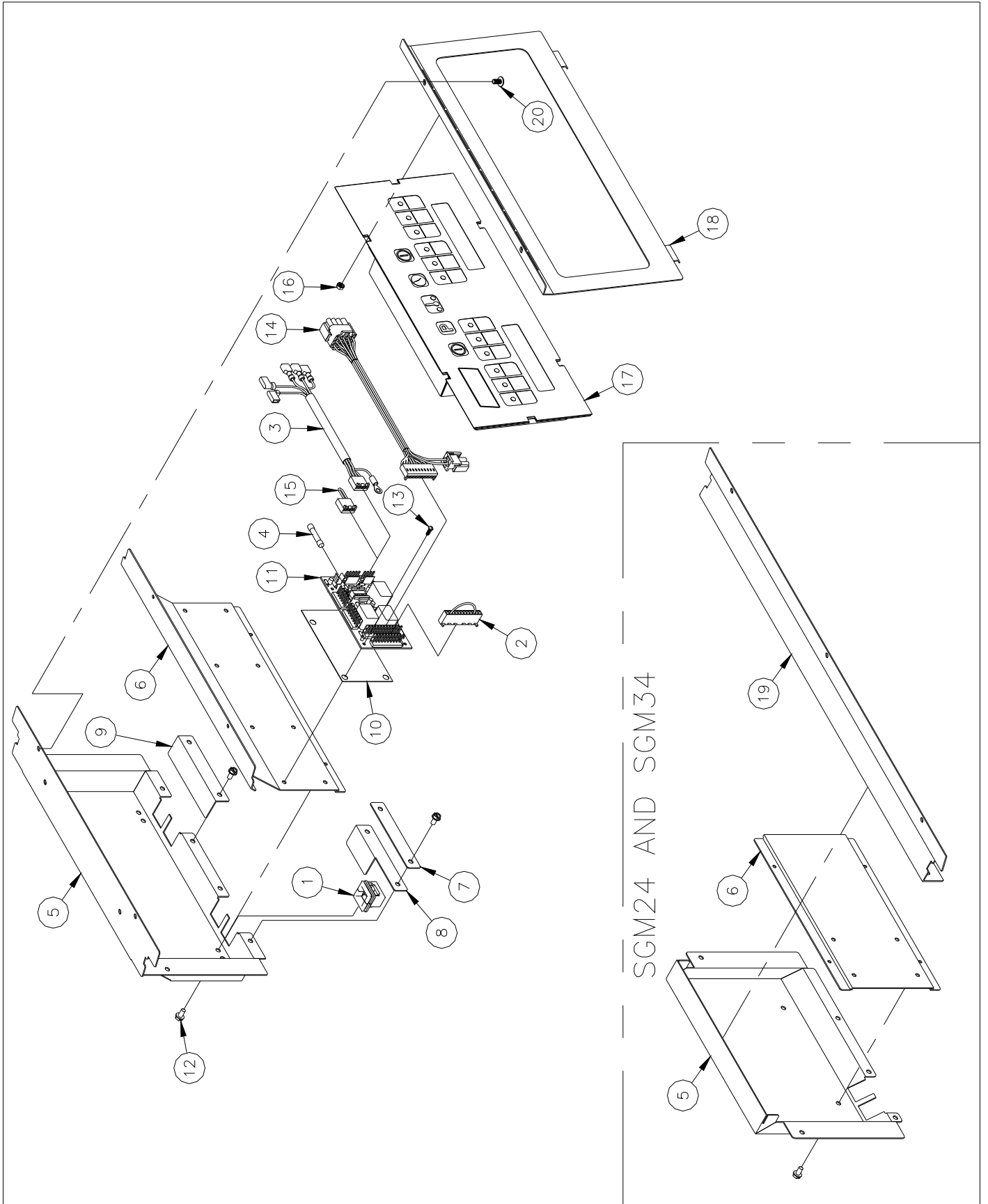
Control Box Pre 8/00 Drawing G1



Control Box Post 8/00 Drawing G2 Parts List

| ITEM # | PART # | PART DESCRIPTION |
|------------|---------------------------------|---|
| 1 | 60130501 | STRAIN RELIEF, LAY IN |
| 2 | B6747001 | WIRING RELAY BOARD NO BACK-UP OPTION |
| 3 | B6760501 | WIRING HARNESS SCB |
| 4 | 60132703 | FUSE CERAMIC 2.5A FAST-ACTING 1/4 X 1-1/4 |
| 5 | A2034201-C | CONTROL BOX, SG14, SG14T, SG14R |
| | A2034301-C | CONTROL BOX, SG18, SGM1824 |
| | A2037301-C | CONTROL BOX, SGM24, SGM34 |
| 6 | A2035201-C | CONTROL BOX, HEAT SHIELD SG14, SG14T, SG14R |
| | A2035301-C | CONTROL BOX, HEAT SHIELD SG18, SGM1824 |
| | A2037401-C | CONTROL BOX, HEAT SHIELD SGM24, SGM34 |
| 7 | A2034601-C | CONTROL BOX, CABLE RETAINER SG14* WITH BACK-UP T-STAT |
| | A2034603-C | CONTROL BOX, CABLE RETAINER SG18,SGM WITH BACK-UP T-STAT |
| 8 | A2034701-C | CONTROL BOX, CABLE RETAINER SG14* WITHOUT BACK-UP T-STAT |
| | A2035001-C | CONTROL BOX, CABLE RETAINER SG18,SGM WITHOUT BACK-UP T-STAT |
| 9 | A2034801-C | CONTROL BOX, CABLE RETAINER SG14, SG14R |
| 10 | 60132601 | RELAY BOARD INSULATION |
| | 60132602 | RELAY BOARD INSULATION SCB |
| 11 | 60127301 | RELAY BOARD 24V CLASS 2 |
| | 60144001 | RELAY BOARD 24V CLASS 2 SCB AND SGM |
| 12 | PP10023 | SCREW 10-24 X 3/8 SELF TAPPING |
| 13 | 60066801 | SCREW 4-40 X 3/8 ROUND HEAD SLOTTED ZN |
| 14 | B6746501 | WIRING HARNESS, RELAY BOARD TO CONTROL |
| 15 | B6762601 | WIRING HARNESS, SCB JUMPER SGM |
| 16 | P0092300 | NUT, 10-24 HEX (KEP) |
| 17 | 60126601 | 3300 DIGITAL T-STAT SG14, SG14R, SG18 |
| | 60126801 | 3600 COMPUTER SG14, SG18, SG14R |
| | 60126802 | 3600 COMPUTER SG14T |
| | 60126701 | 3300 DIGITAL T-STAT SG14T |
| 18 | B3631303-C | FRONT PANEL BEZEL SG14, SG14T,SG14R (COMPUTER CONTROL) |
| | B3631302-C | FRONT PANEL BEZEL SG18 (COMPUTER CONTROL) |
| | B3631307-C | FRONT PANEL BEZEL SGM1824 (COMPUTER CONTROL) |
| | B3631308-C | FRONT PANEL BEZEL SGM24 (COMPUTER CONTROL) |
| | B3631309-C | FRONT PANEL BEZEL SGM34 (COMPUTER CONTROL) |
| | B3631801-C | FRONT PANEL BEZEL SG14, SG14T, SG14R (BLANK) |
| | B3631802-C | FRONT PANEL BEZEL SG18 (BLANK) |
| | B3631807-C | FRONT PANEL BEZEL SGM1824 (BLANK) |
| | B3631808-C | FRONT PANEL BEZEL SGM24 (BLANK) |
| B3631809-C | FRONT PANEL BEZEL SGM34 (BLANK) | |
| 19 | A2037201-C | CONTROL BOX, FRONT PANEL BEZEL SUPPORT SGM24 |
| | A2037203-C | CONTROL BOX, FRONT PANEL BEZEL SUPPORT SGM34 |
| 20 | PP10690 | SCREW, 6-32 X 1/2 TRUSS HEAD PHILLIPS |

Control Box Post 8/00 Drawing G2

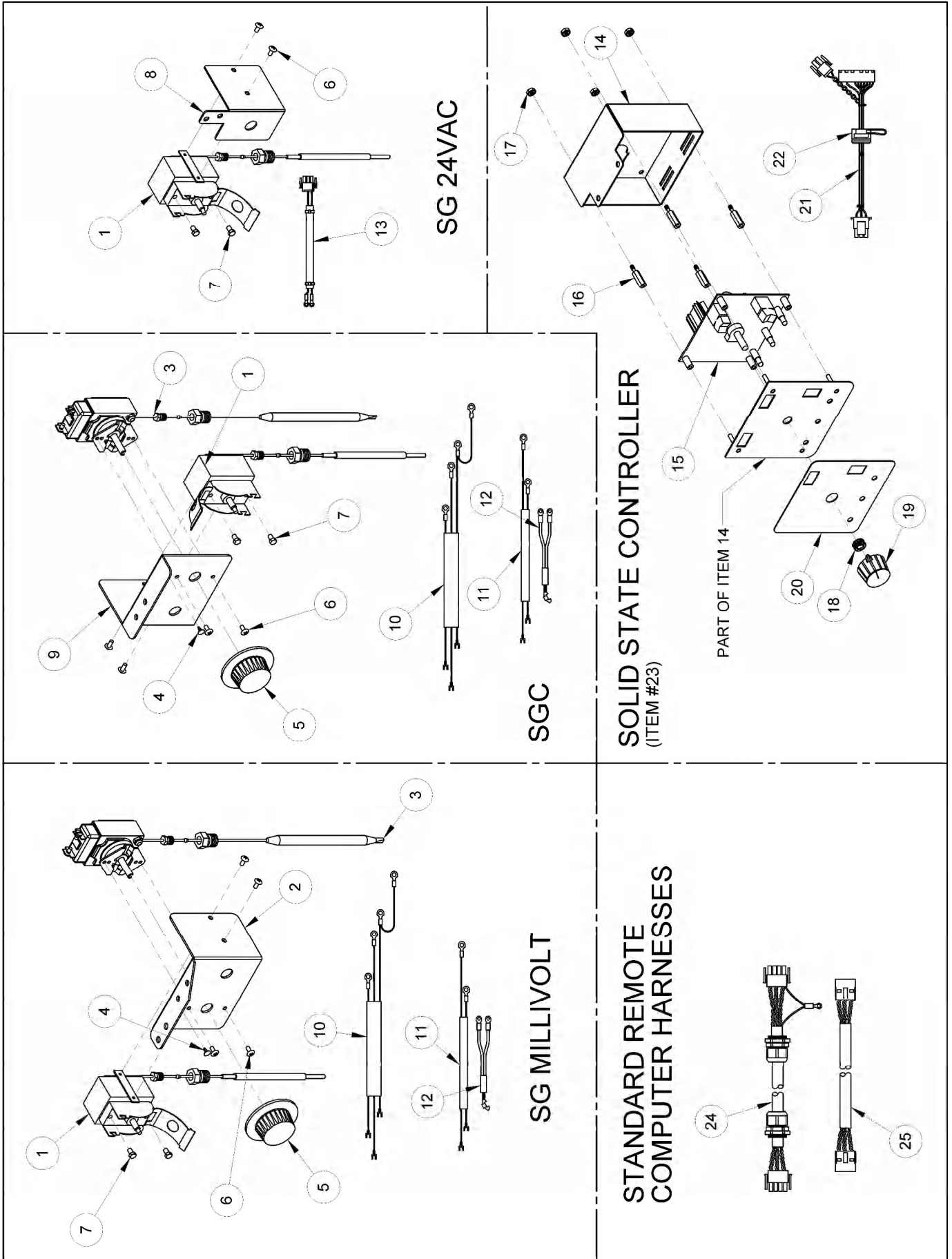


H) SMALL ASSEMBLIES

Small Assemblies Drawing H Parts List

| ITEM# | PART# | PART DESCRIPTION |
|-------|------------|--|
| 1 | PP10084 | SWITCH, HI-LIMIT LCM05030 |
| 2 | A8028601-C | PIPING, BRACKET HI-LIMIT-THERMOSTAT SG MILLIVOLT |
| 3 | 60125402 | THERMOSTAT, RX MILLIVOLT 200-374F |
| | 60125401 | THERMOSTAT, RX MILLIVOLT 200-400F |
| 4 | P0190700 | CLIP, CANOE FASTEX |
| 5 | PP10539 | KNOB, THERMOSTAT WITH OFF, 200-400F & 100-200C |
| 6 | PP10687 | SCREW, 6-32 X 313 THRUSS HEAD PHILLIPS ZN |
| 7 | P0007300 | SCREW, 8-32 X 250 HEX HEAD ZN |
| 8 | A8029901-C | PIPING, BRACKET HI-LIMIT SG 24VAC |
| 9 | A8033301-C | PIPING, BRACKET HI-LIMIT & THERMOSTAT SGC |
| 10 | B6744401 | WIRING, MILLIVOLT HI-LIMIT & THERMOSTAT SG |
| 11 | B6746701 | WIRING, MILLIVOLT THERMOSTAT SG CE |
| 12 | B6779850 | WIRING, RADIX ASSEMBLY |
| 13 | B6745502 | WIRING, HI-LIMIT 24VAC SG |
| 14 | B2003501 | CONTROL BOX, ASSEMBLY SM SG SSTC |
| 15 | 60126401 | CONTROL, SOLID STATE WITH MELT + DVI PRIMARY 24V |
| | 60126301 | CONTROL, SOLID STATE WITH MELT + DVI BACKUP 24V |
| 16 | 60129501 | STANDOFF, THREADED MALE TO FEMALE 6-32 UNC X .750 |
| 17 | P0091100 | NUT, HEX KEP 6-32 ZN |
| 18 | 60001201 | GROMMET, .250ID, .500OD, .375GR |
| 19 | 60129403 | KNOB, COLLET WITH CAP + POINTER .250 (REPLACES 60129402) |
| 20 | A6084001 | LABEL, SOLID STATE CONTROLLER SG |
| | A6084101 | LABEL, SOLID STATE BACKUP CONTROLLER |
| 21 | B6746601 | WIRING, RELAY BOARD TO BACKUP CONTROL (NOT USED PRIOR TO 8/00) |
| 22 | 60130501 | STRAIN RELIEF, LAY IN |
| 23 | B2005301 | CONTROL BOX, ASSY SSTC PRIMARY SG (REPLACES B2004201-C) |
| | B2005302 | CONTROL BOX, ASSY SSTC BACKUP SG (REPLACES B2004202-C) |
| 24 | B6749401 | WIRING, CONTROL REMOTE EXTERNAL (HOOD) |
| 25 | B6749301 | WIRING, CONTROL REMOTE INTERNAL |

Small Assemblies Drawing H

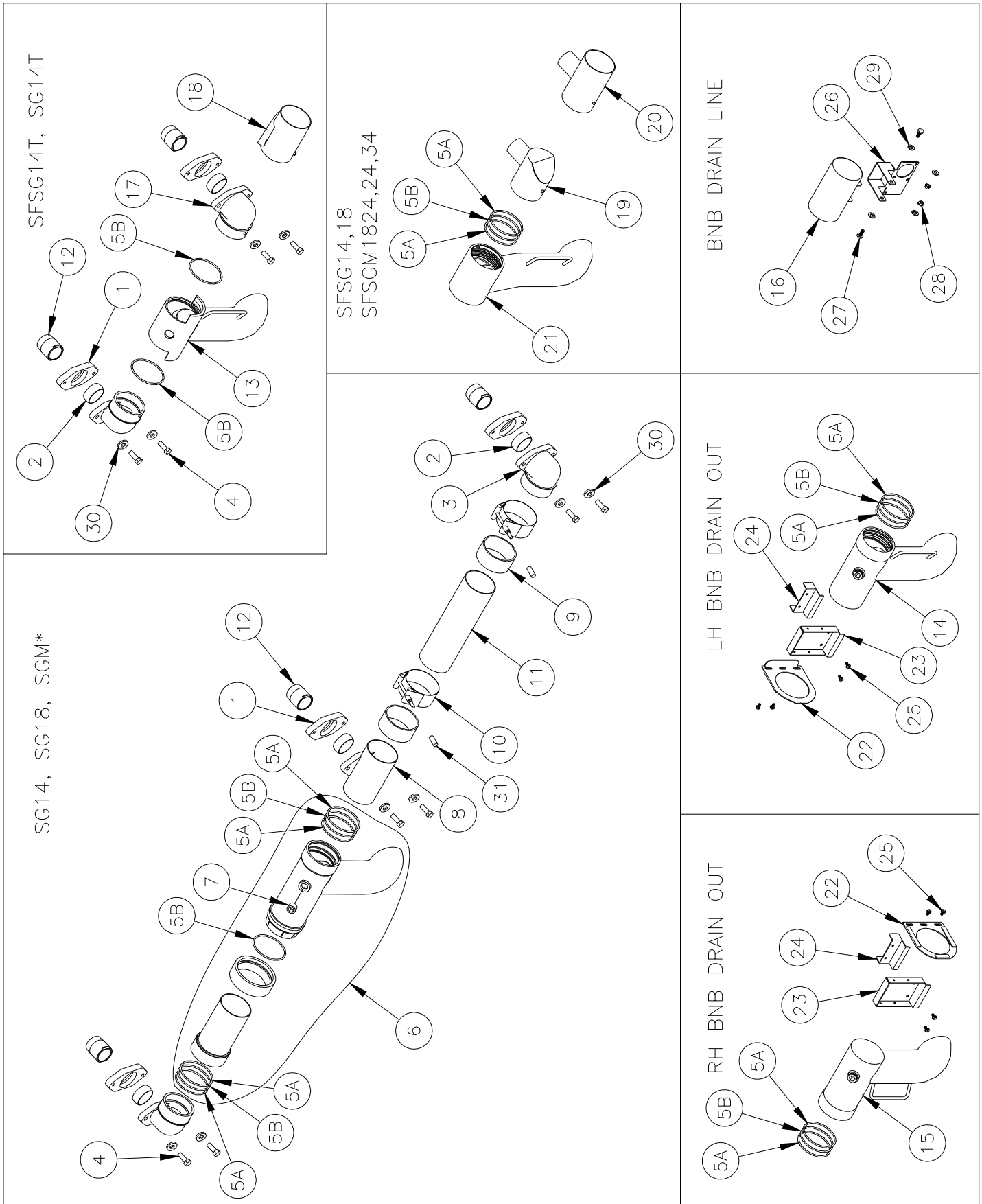


I) DRAIN LINE

Drain Line Drawing I Parts List

| ITEM# | PART# | PART DESCRIPTION |
|-------|------------|--|
| 1 | A7022201 | FILTER DRAIN FLANGE |
| 2 | A7022101 | FILTER DRAIN SEAL FERRULE |
| 3 | B6665101 | FILTER DRAIN ELBOW |
| 4 | 60088002 | 3/8-16 X 1-1/4 SCREW |
| 5A | 60068303 | TEFLON O-RING, 3" X 3.25 OD (WHITE) |
| 5B | 60068302 | VITON O-RING (BLACK) |
| 6 | B6664701 | FILTER DRAIN LINE DOWN SPOUT SG14-14, SG14-18, SG14-14R |
| | B6664702 | FILTER DRAIN LINE DOWN SPOUT SG18-18, SG18-14* |
| | B6670401 | FILTER DRAIN LINE DOWN SPOUT SG14T-14, SG14T-14R |
| | B6670402 | FILTER DRAIN LINE DOWN SPOUT SG14T-18 |
| | B6678303 | FILTER DRAIN LINE DOWN SPOUT SGM1824-1824, SGM1824-24, SGM 24-24 |
| | B6678304 | FILTER DRAIN LINE DOWN SPOUT SGM1824-34, SGM24-34, SGM34-34 |
| 7 | 60137501 | STEEL PLUG, 1/2NPT INTERNAL HEX |
| 8 | B6665201 | FILTER DRAIN TEE |
| 9 | 60059302 | DRAINLINE GASKET |
| 10 | 60127702 | QUICK RELEASE BAND CLAMP |
| 11 | A7022401 | DRAIN LINE TUBE SG18-18, SGM1824-1824 |
| | A7022403 | DRAIN LINE TUBE SG18-14 |
| | A7022405 | DRAIN LINE TUBE SG14-18 |
| | A7022407 | DRAIN LINE TUBE SG14-14 |
| | A7022409 | DRAIN LINE TUBE SG14T-14, SG14-14T |
| | A7022411 | DRAIN LINE TUBE SG14T-14T |
| | A7022413 | DRAIN LINE TUBE SG14T-18 |
| | A7022415 | DRAIN LINE TUBE SG18-14T |
| | A7022441 | DRAIN LINE TUBE SGM1824-24, SGM24-1824 |
| | A7022443 | DRAIN LINE TUBE SGM24-24 |
| | A7022445 | DRAIN LINE TUBE SGM1824-34, SGM34-1824 |
| | A7022447 | DRAIN LINE TUBE SGM34-24, SGM24-34 |
| | A7022449 | DRAIN LINE TUBE SGM34-34 |
| 12 | A7021701 | FILTER, NIPPLE ADAPTER |
| 13 | B6666701 | FILTER DRAIN OUTLET SG14T/14T, SFSG14T |
| 14 | B6665301 | FILTER DRAIN OUTLET LH |
| 15 | B6665401 | FILTER DRAIN OUTLET RH SG14/BNB |
| | B6665402 | FILTER DRAIN OUTLET RH SG14T/BNB |
| | B6665403 | FILTER DRAIN OUTLET RH SG18/BNB |
| 16 | B6665501 | B-N-B DRAIN LINE |
| 17 | B6666801 | FILTER DRAIN ELBOW SG14T, SGSG14T LH/RH |
| 18 | B6666901 | FILTER DRAIN TEE SG14T |
| 19 | B6671401 | FILTER DRAIN FIXED ELBOW SFSG14, SFSG18 |
| 20 | B6675801 | FILTER DRAIN TEE SFSG14, SFSG18 |
| 21 | B6674401 | FILTER DRAIN LINE DOWN SPOUT SFSG14 |
| | B6674001 | FILTER DRAIN LINE DOWN SPOUT SFSG18, SFSGM* |
| 22 | A7023701-C | FILTER DRAIN OUTLET SUPPORT BRACKET |
| 23 | A7023801-C | FILTER DRAIN OUTLET SUPPORT MOUNTING BRACKET INNER |
| 24 | A7023901-C | FILTER DRAIN OUTLET SUPPORT MOUNTING BRACKET OUTER |
| 25 | P0075400 | SCREW, 10-24 X 1/2 SELF TAPPING |
| 26 | A7024201-C | FILTER DRAIN LINE SUPPORT SGBNB14 |
| | A7024301-C | FILTER DRAIN LINE SUPPORT SGBNB18 |
| 27 | P0113300 | SCREW, 1/4 - 20 X 3/8 |
| 28 | PP10668 | ACORN NUT, 1/4 - 20 |
| 29 | P0080650 | WASHER, FLAT 1/4 |
| 30 | P0082700 | WASHER, 3/8 SPLIT LOCK |
| 31 | PP10177 | VINYL SCREW PROTECTION CAP |

Drain Line Drawing I

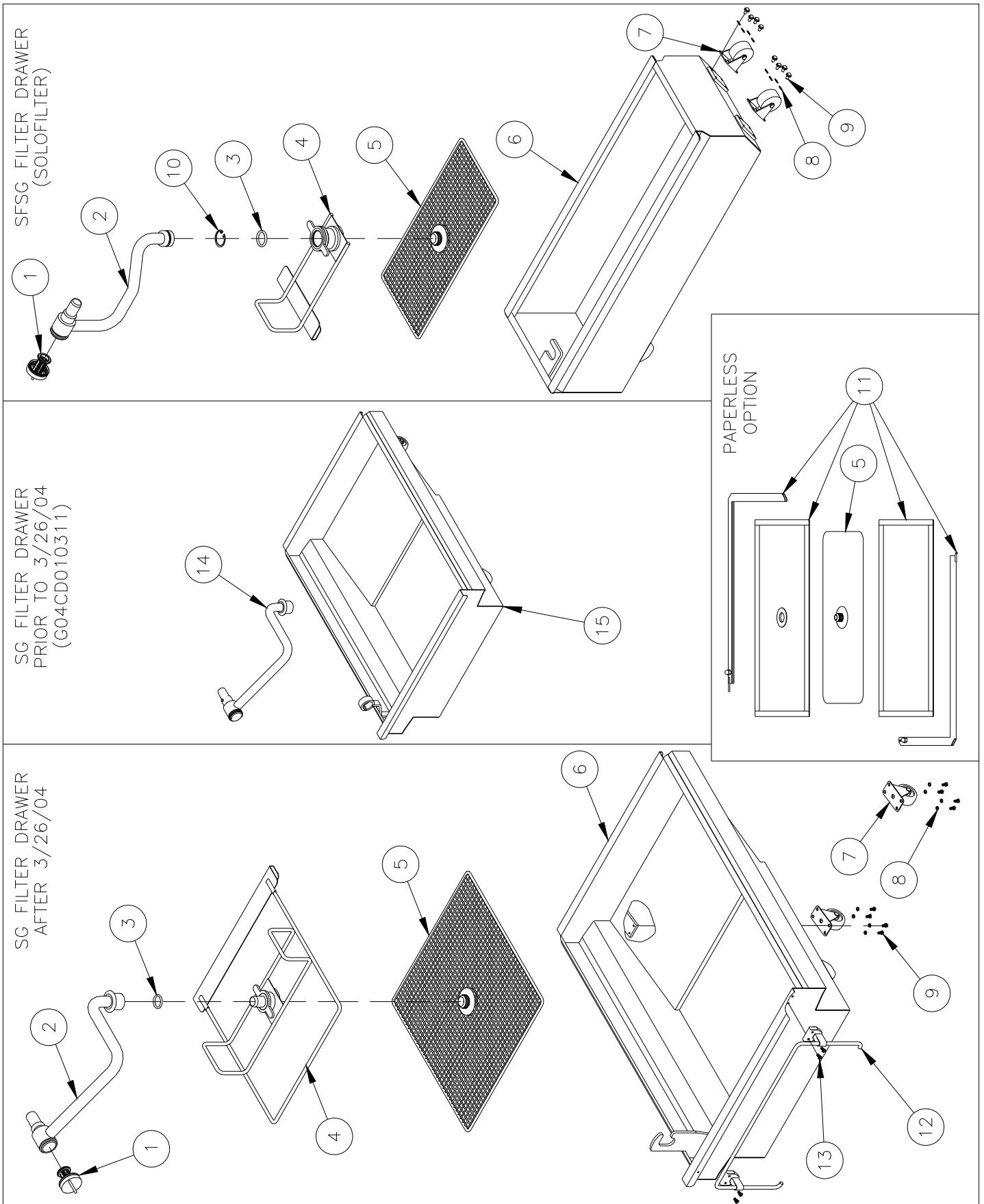


J) FILTER PAN

Filter Pan Drawing J Parts List

| ITEM# | PART# | PART DESCRIPTION |
|-------|----------|--|
| 1 | B6671201 | FILTER, STRAINER CAP SFD |
| 2 | B6674802 | FILTER, PICKUP TUBE SFD |
| | B6682801 | FILTER, PICKUP TUBE SGM* |
| | B6673901 | FILTER, PICKUP TUBE SFSG14 |
| | B6671001 | FITLER, PICKUP TUBE SFSG18 |
| 3 | 60068301 | O-RING, VITON 1" ID X 1.375" OD |
| 4 | B6663901 | FILTER, SUPPORT CLIP SFD PAPER |
| | B6666601 | FILTER, SUPPORT CLIP SFD PAPERLESS |
| | B6671101 | FILTER, SUPPORT CLIP SFSG18 PAPER (PRIOR TO 2/10/04) |
| | B6671102 | FILTER, SUPPORT CLIP SFSG14 PAPER |
| | B6671103 | FILTER, SUPPORT CLIP SFSG18, SGM* PAPER (POST 2/10/04) |
| | B6677401 | FILTER, SUPPORT CLIP SFSG*, SGM* PAPERLESS |
| 5 | B6664301 | FILTER, SUPPORT SFD PAPER |
| | B6664302 | FILTER, SUPPORT SFSG18 PAPER (PRIOR TO 2/10/04) |
| | B6664303 | FILTER, SUPPORT SFSG14 PAPER |
| | B6664304 | FILTER, SUPPORT SFSG18, SGM* PAPER (POST 2/10/04) |
| | B6664002 | FILTER, SUPPORT SFD, SFSG18, SGM* PAPERLESS |
| | B6664003 | FILTER, SUPPORT SFSG14 PAPERLESS |
| 6 | B6670802 | FILTER, PAN SFSG14 |
| | B6670801 | FILTER, PAN SFSG18 |
| | B6674701 | FILTER, PAN SFD |
| | B6674702 | FILTER, PAN SFD FOR 36" CABINET (11" LEGS/CASTERS) |
| | B6682301 | FILTER, PAN SGM1824 |
| | B6682401 | FILTER, PAN SGM24 |
| | B6682501 | FILTER, PAN SGM34 |
| 7 | 60131401 | RIGID 2.5" CASTER |
| 8 | PP11208 | LOCK WASHER #10 SST (SPLIT) |
| 9 | P0011300 | SCREW, 10-24 X 3/8 |
| 10 | 60136301 | EXTERNAL RETAINING RING 1-7/16" |
| 11 | B6629701 | FILTER, PAPERLESS WIRE MESH ENVELOPE |
| | B6629703 | FILTER, PAPERLESS WIRE MESH ENVELOPE SFSG14* |
| 12 | B4004101 | FILTER, PAN HANDLE (HARDEES) |
| 13 | PP112000 | SCREW, 10-24 X 1/2 |
| 14 | B6671801 | FILTER, PICKUP TUBE SFD (PRIOR TO 3/26/04) |
| 15 | B6663601 | FILTER, PAN SFD (PRIOR TO 3/26/04) |

Filter Pan Drawing J

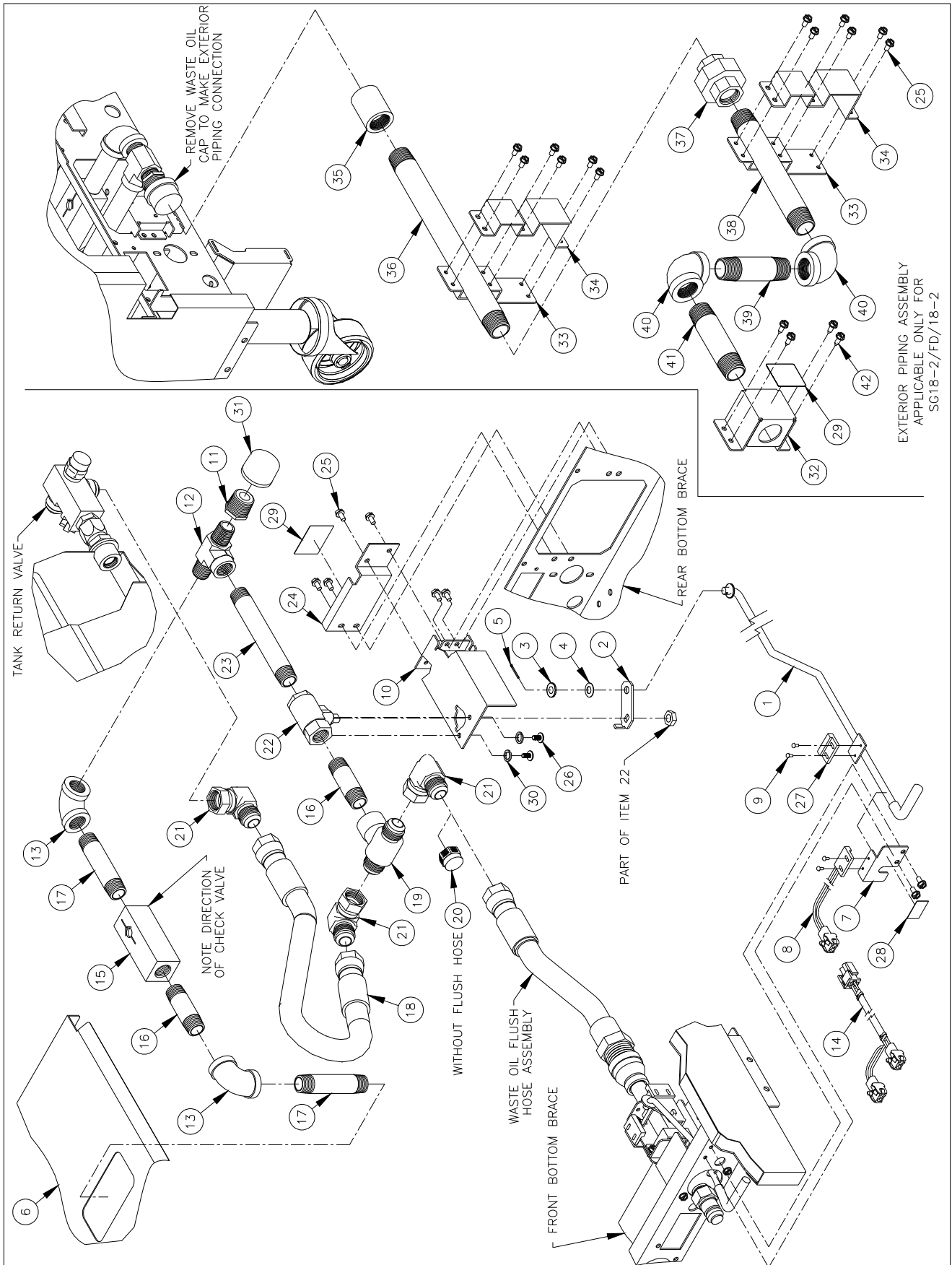


K) WASTE OIL MANAGEMENT

Waste Oil Management Drawing K Parts List

| ITEM# | PART# | PART DESCRIPTION |
|-------|------------|---|
| 1 | B4005201 | HANDLE WELDMENT WASTE OIL |
| 2 | A7030601-C | VALVE BRACKET REAR HANDLE WELDMENT WASTE OIL |
| 3 | P0080750 | WASHER FLAT 5/16 ZINC |
| 4 | 60131901 | WASHER SPRING 5/8 WITH 5/16 HOLE |
| 5 | P0190200 | COTTER PIN 1/16 X 3/4 ZINC |
| 6 | A7030302-C | FILTER PAN COVER WASTE OIL |
| 7 | A7030701-C | VALVE BRACKET FRONT HANDLE WELDMENT WASTE OIL |
| 8 | B5305001 | ELECTRICAL ASSEMBLY DVI |
| 9 | PP10266 | SCREW 4 - 40 X 1/4 ROUND HEAD ZINC |
| 10 | A7030501-C | BRACKET WASTE OIL ASSEMBLY TO CABINET |
| 11 | P7036013 | REDUCER HEX 3/4 X 1/2 NPT BLACK |
| 12 | 60137601 | TEE STEEL 1/2NPT M X M X F |
| 13 | P7037678 | ELBOW 1/2NPT 90 DEGREE |
| 14 | B6746301 | WIRING JUMPER 24V |
| 15 | 60084601 | CHECK VALVE 1/2NPT 15GAL/MIN 25PSI MIN |
| 16 | P7037094 | NIPPLE BLACK 1/2NPT X 2 1/2" |
| 17 | P7037096 | NIPPLE BLACK 1/2NPT X 3 1/2" |
| 18 | 60135902 | TEFLON HOSE SWIVEL ENDS 19.5" |
| 19 | A8033101 | TEE 2X 15/16 MALE FLARE X 1/2FNPT |
| 20 | 60130001 | END CAP FITTING 15/16 FLARE |
| 21 | A8033801 | ELBOW 15/16 FLARE MALE X FEMALE |
| 22 | PP10574 | BALL VALVE 1/2NPT STAINLESS STEEL |
| 23 | P7037100 | NIPPLE BLACK 1/2NPT X 5 1/2" |
| 24 | A7030401-C | BRACKET WASTE OIL ASSEMBLY SUPPORT TO CABINET |
| 25 | PP10023 | SCREW 10 - 24 X 3/8 SELF TAPPING |
| 26 | 60072101 | SCREW 10 - 24 X 3/8 ROUND HEAD STAINLESS PHILLIPS |
| 27 | PP10263 | POXIMITY SWITCH ACTUATOR |
| 28 | A6090101 | LABEL WASTE OIL FRONT |
| 29 | A60191101 | LABEL WASTE OIL REAR |
| 30 | P0082400 | SPLIT LOCK WASHER #10 ZINC |
| 31 | 60113401 | CAP BLACK 3/4NPT |
| 32 | A8037201-C | BRACKET PIPING EXTENSION TO CABINET WASTE OIL |
| 33 | A8037301-C | BRACKET MANIFOLD REAR WASTE OIL |
| 34 | A8037401-C | BRACKET MANIFOLD FRONT WASTE OIL |
| 35 | P7036603 | COUPLING 3/4NPT CRS |
| 36 | 60131306 | NIPPLE BLACK 3/4NPT X 11" |
| 37 | P7036904 | UNION BLACK 3/4NPT |
| 38 | 60131303 | NIPPLE BLACK 3/4NPT X 7" |
| 39 | P7037358 | NIPPLE BLACK 3/4NPT X 3 1/2" |
| 40 | P9037679 | ELBOW BLACK 3/4NPT |
| 41 | P7037359 | NIPPLE BLACK 3/4NPT X 4" |
| 42 | P0075300 | SCREW 10 - 16 X 5/8 HEX SELF DRILLING |

Waste Oil Management Drawing K

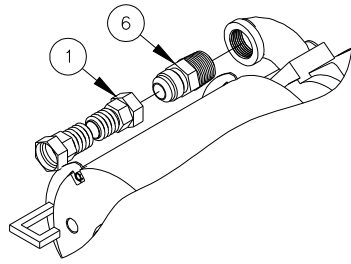


L) PUMP ASSEMBLY

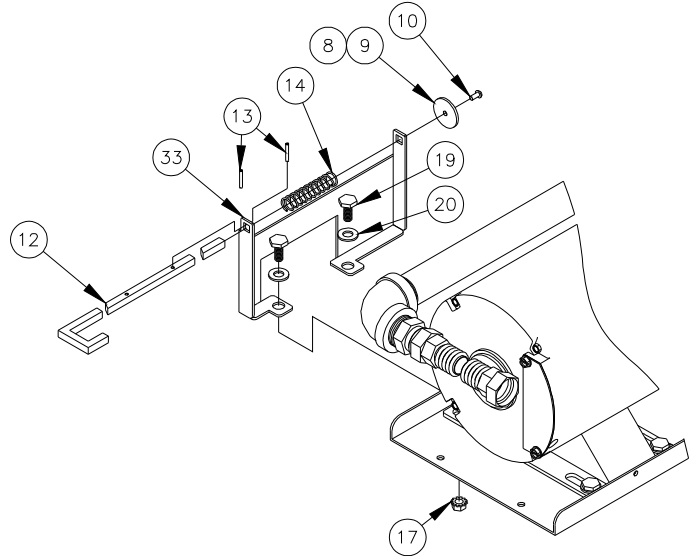
Pump Assembly Pre 3/04 Drawing L1 Parts List

| ITEM# | PART# | PART DESCRIPTION |
|--|------------|---|
| 1 | 60128001 | 16" FLEX TUBE WITH 15/16 FLARE FITTINGS (PRIOR TO 4/01) |
| | 60132201 | TEFLON HOSE W/15/16 FLARE FITTINGS (AFTER 4/01, NOT USED W/ ITEM 6) |
| 2 | 60134902 | SEAL KIT HAIGHT 8GPM |
| | 60134903 | SEAL KIT VIKING 8GPM |
| 3 | P7037751 | STREET ELBOW BLACK IRON 90° 3/4NPT |
| 4 | 60131302 | NIPPLE 3/4NPT X 10.5 BLACK IRON |
| 5A NOT SHOWN | 60143501 | PUMP ASSEMBLY VIKING 8GPM .3HP 115/230V (50/60HZ) |
| | 60143503 | PUMP ASSEMBLY VIKING 8GPM .3HP 208/240V (50/60HZ) |
| | 60143505 | PUMP MOTOR ONLY VIKING 8GPM .3HP 115/230V (50/60HZ) |
| | 60143506 | PUMP MOTOR ONLY VIKING 8GPM .3HP 208/240V (50/60HZ) |
| | 60143507 | PUMP HEAD ONLY VIKING 8GPM (NO MOTOR) |
| 5 | B6683203-C | PUMP ASSEMBLY SERVICE 115/230V (VIKING PUMP) |
| | B6683204-C | PUMP ASSEMBLY SERVICE 208/240V (VIKING PUMP) |
| | 60130803 | PUMP MOTOR ONLY HAIGHT 8GPM .3HP 115/220V (50/60HZ) |
| | 60130804 | PUMP MOTOR ONLY HAIGHT 8GPM .3HP 240V (50HZ) |
| | 60130805 | PUMP HEAD ONLY HAIGHT 8GPM (NO MOTOR) |
| | 60130809 | PUMP MOTOR ONLY HAIGHT 8GPM .3HP 208V (50/60HZ) |
| 6 | 60129901 | MALE FLARE FITTING 15/16 X 3/4NPT (NOT USED AFTER 4/01) |
| 7 | P9037679 | ELBOW BLACK IRON 90° 3/4NPT |
| 8 | A6056901 | FILTER RESET LABEL |
| 9 | A6686802 | FILTER RESET PLATE |
| 10 | PP10687 | SCREW 6 - 32 X 5/16 |
| 11 | A7020601-C | FILTER RESET BRACKET |
| 12 | B6663401 | FILTER RESET HANDLE |
| 13 | PP10784 | ROLL PIN 3/32 DIAMETER X .625 |
| 14 | P6071632 | SPRING .39 ID X .48 OD X 2.00 STAINLESS |
| 15 | B6745901 | PUMP BOX WIRING HARNESS 120V |
| | B6746001 | PUMP BOX WIRING HARNESS 220/240V |
| 16 | 60133503 | HEATER TAPE 50W 120V 1/2 X 72 |
| | 60133504 | HEATER TAPE 50W 240/220V 1/2 X 72 |
| | 60133508 | HEATER TAPE 50W 208V 1/2 X 72 |
| 17 | P0093300 | KEP NUT 1/4 - 20 |
| 18 | A7020701-C | FILTER PUMP MOUNTING PLATE (SFD) |
| 19 | PP11206 | SCREW 1/4 - 20 X .75 |
| 20 | P0080750 | WASHER FLAT 5/16 |
| 21 | A7020801-C | PUMP CONTROL BOX COVER |
| 22 | PP10691 | SCREW 10 - 24 X .25 |
| 23 | 60130301 | TRANSFORMER 5VA (115V) |
| | 60130302 | TRANSFORMER 5VA (220-240V) |
| 24 | 60104701 | RELAY DPST 30A 24VAC (220-240V) |
| | PP11058 | RELAY SPST 30A 24VAC (115V) |
| 25 | A7021401-C | PUMP CONTROL BOX BODY |
| 26 | PP10192 | STRAIN RELIEF RIGHT ANGLE |
| 27 | 60067201 | STRAIN RELIEF RIGHT ANGLE 3/4 DIAMETER |
| 28 | 60077901 | CIRCUIT BREAKER ROCKER SPST 10A 250V (115V) |
| | 60078502 | CIRCUIT BREAKER ROCKER DPST 5A 250V (220-240V) |
| 29 | PP10023 | SCREW SELF TAPPING 10 - 24 X .38 |
| 30 | 60131301 | NIPPLE 3/4NPT X 9 BLACK IRON |
| 31 | A7021202 | FILTER PICK UP BLOCK |
| 32 | 60068301 | VITON O-RING 1.00 ID X 1.38 OD |
| 33 | A7025401-C | FILTER PUMP RESET BRACKET |
| 34 | A7022702-C | FILTER DEFLECTOR OIL PICK UP BLOCK (SFD) |
| 35 | PP10693 | SCREW 10 -24 X .38 |
| 36 | P5047670 | WIRENUT YELLOW |
| 37 | 60132701 | FUSE CERAMIC .20A TIME DELAY .25 X 1.25 |
| 38 | P5045508 | QUICK DISCONNECT .25 BLUE INSULATED |
| 39 NOT SHOWN (INCLUDES ALL ITEMS EXCEPT 34 & 35) | B6678501-C | FILTER PUMP ASSEMBLY 115V W/O HEAT TAPE (SG) |
| | B6678503-C | FILTER PUMP ASSEMBLY 230V W/O HEAT TAPE (SG) |
| | B6678504-C | FILTER PUMP ASSEMBLY 240V W/O HEAT TAPE (SG) |
| | B6678505-C | FILTER PUMP ASSEMBLY 115V WITH HEAT TAPE (SG) |
| | B6678507-C | FILTER PUMP ASSEMBLY 230V WITH HEAT TAPE (SG) |
| | B6678508-C | FILTER PUMP ASSEMBLY 240V WITH HEAT TAPE (SG) |

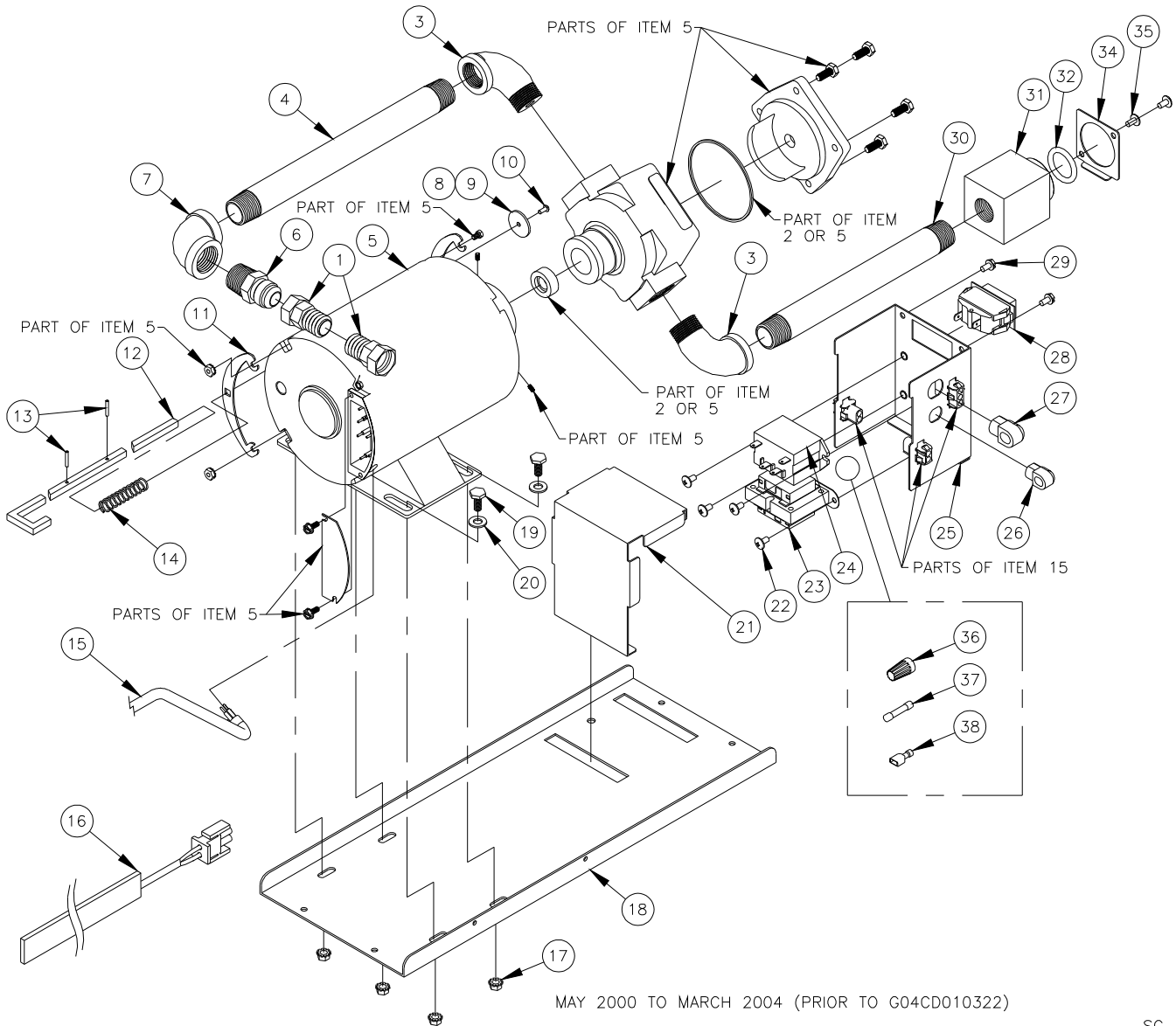
Pump Assembly Pre 3/04 Drawing L1



FEBRUARY 2000 TO MAY 2000



JULY 2001 TO MARCH 2004



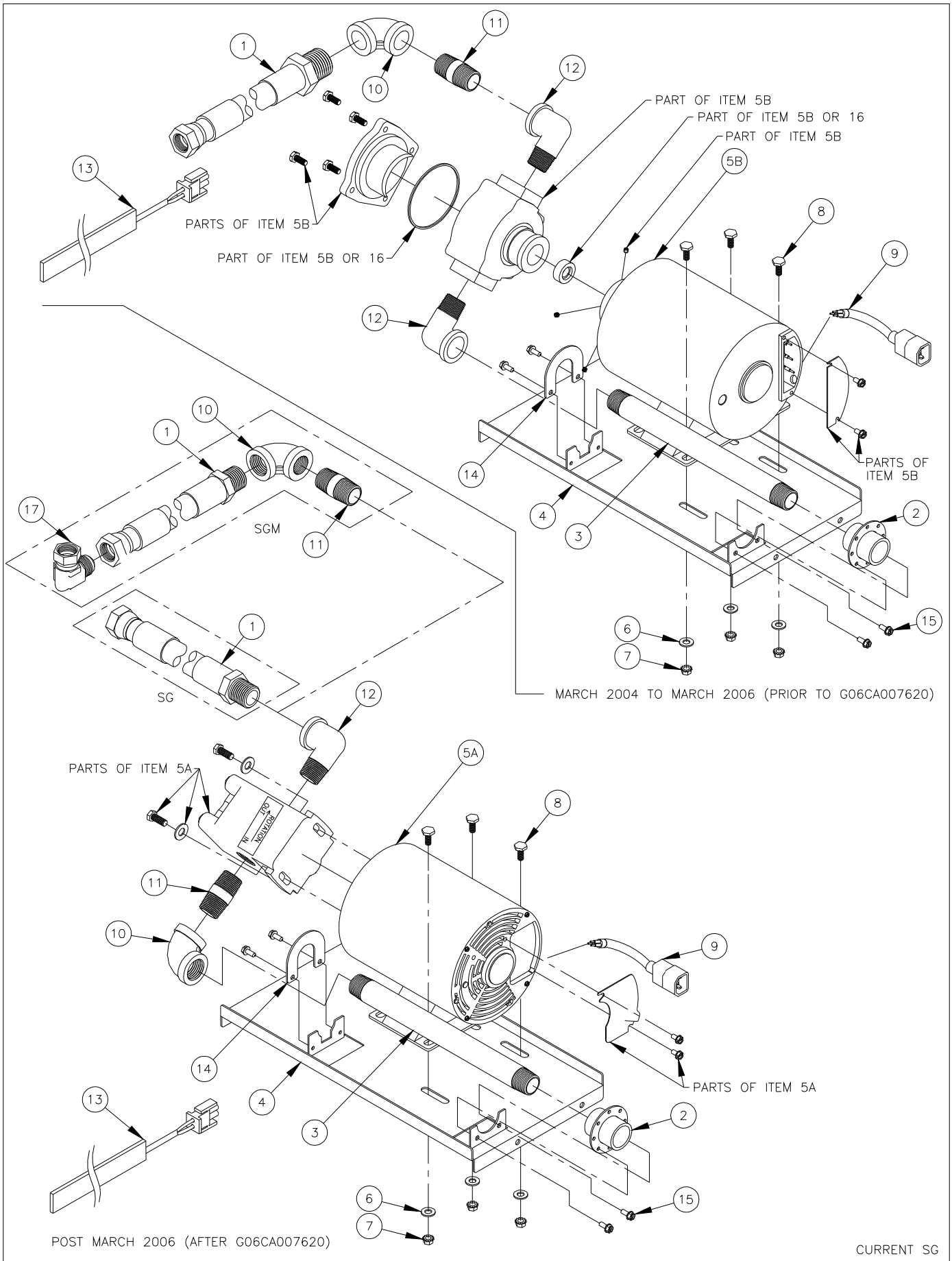
MAY 2000 TO MARCH 2004 (PRIOR TO G04CD010322)

SG

Pump Assembly Post 3/04 Drawing L2 Parts List

| ITEM# | PART# | PART DESCRIPTION |
|---|------------|--|
| 1 | 60132201 | TEFLON HOSE 3/4 NPT FEMALE SWIVEL X 3/4 MPT |
| 2 | B6677001 | FILTER INLET COUPLING |
| 3 | 60131306 | NIPPLE 3/4NPT X 11 BLACK IRON |
| 4 | A7029701-C | FILTER PUMP MOUNTING PLATE SFS* |
| 5A | 60143501 | PUMP ASSEMBLY 8GPM .3HP 115/230V (50/60HZ) |
| | 60143503 | PUMP ASSEMBLY 8GPM .3HP 208/240V (50/60HZ) |
| | 60143505 | PUMP MOTOR ONLY 8GPM .3HP 115/230V (50/60HZ) |
| | 60143506 | PUMP MOTOR ONLY 8GPM .3HP 208/240V (50/60HZ) |
| | 60143507 | PUMP HEAD ONLY 8GPM (NO MOTOR) |
| 5B | B6683201-C | PUMP ASSEMBLY SERVICE 115/230V (VIKING PUMP) |
| | B6683202-C | PUMP ASSEMBLY SERVICE 208/240V (VIKING PUMP) |
| | 60130803 | PUMP MOTOR ONLY 8GPM .3HP 115/220V (50/60HZ) |
| | 60130804 | PUMP MOTOR ONLY 8GPM .3HP 240V (50HZ) |
| | 60130805 | PUMP HEAD ONLY 8GPM (NO MOTOR) |
| | 60130809 | PUMP MOTOR ONLY 8GPM .3HP 208V (50/60HZ) |
| 6 | P0080750 | WASHER 5/16 FLAT |
| 7 | PP10828 | NUT HEX 5/16 - 18 (KEP) |
| 8 | PP11261 | BOLT 5/16 X 3/4 |
| 9 | PP11338 | POWER CORD MALE IEC-320 16-3 AWG |
| 10 | P9037679 | ELBOW BLACK IRON 90° 3/4NPT |
| 11 | P7037355 | NIPPLE 3/4NPT X 2 BLACK IRON |
| 12 | P7037751 | STREET ELBOW BLACK IRON 90° 3/4NPT |
| 13 | 60133505 | HEATER TAPE 33W 120V 1/2 X 48 |
| | 60133506 | HEATER TAPE 33W 240/220V 1/2 X 48 |
| | 60133509 | HEATER TAPE 33W 208V 1/2 X 48 |
| | 60133503 | HEATER TAPE 50W 120V 1/2 X 72 (AFTER 3/06) |
| | 60133504 | HEATER TAPE 50W 240/220V 1/2 X 72 (AFTER 3/06) |
| | 60133508 | HEATER TAPE 50W 208V 1/2 X 72 (AFTER 3/06) |
| 14 | A7092201-C | FILTER PIPING CLAMP |
| 15 | PP10023 | SCREW 10 - 24 X 3/8 SELF TAPPING |
| 16 | 60134902 | SEAL KIT HAIGHT 8GPM |
| | 60134903 | SEAL KIT VIKING 8GPM |
| 17 | A8033801 | ELBOW FEMALE X MALE 15/16 FLARE |
| 18 NOT SHOWN (INCLUDES ALL ITEMS) | B6678501-C | FILTER PUMP ASSEMBLY 115V W/O HEAT TAPE (SG) |
| | B6678502-C | FILTER PUMP ASSEMBLY 208V W/O HEAT TAPE (SG) |
| | B6678503-C | FILTER PUMP ASSEMBLY 230V W/O HEAT TAPE (SG) |
| | B6678504-C | FILTER PUMP ASSEMBLY 240V W/O HEAT TAPE (SG) |
| | B6678505-C | FILTER PUMP ASSEMBLY 115V WITH HEAT TAPE (SG) |
| | B6678506-C | FILTER PUMP ASSEMBLY 208V WITH HEAT TAPE (SG) |
| | B6678507-C | FILTER PUMP ASSEMBLY 230V WITH HEAT TAPE (SG) |
| | B6678508-C | FILTER PUMP ASSEMBLY 240V WITH HEAT TAPE (SG) |

Pump Assembly Post 3/04 Drawing L2



Pump Assembly SFSG Drawing L3 Parts List

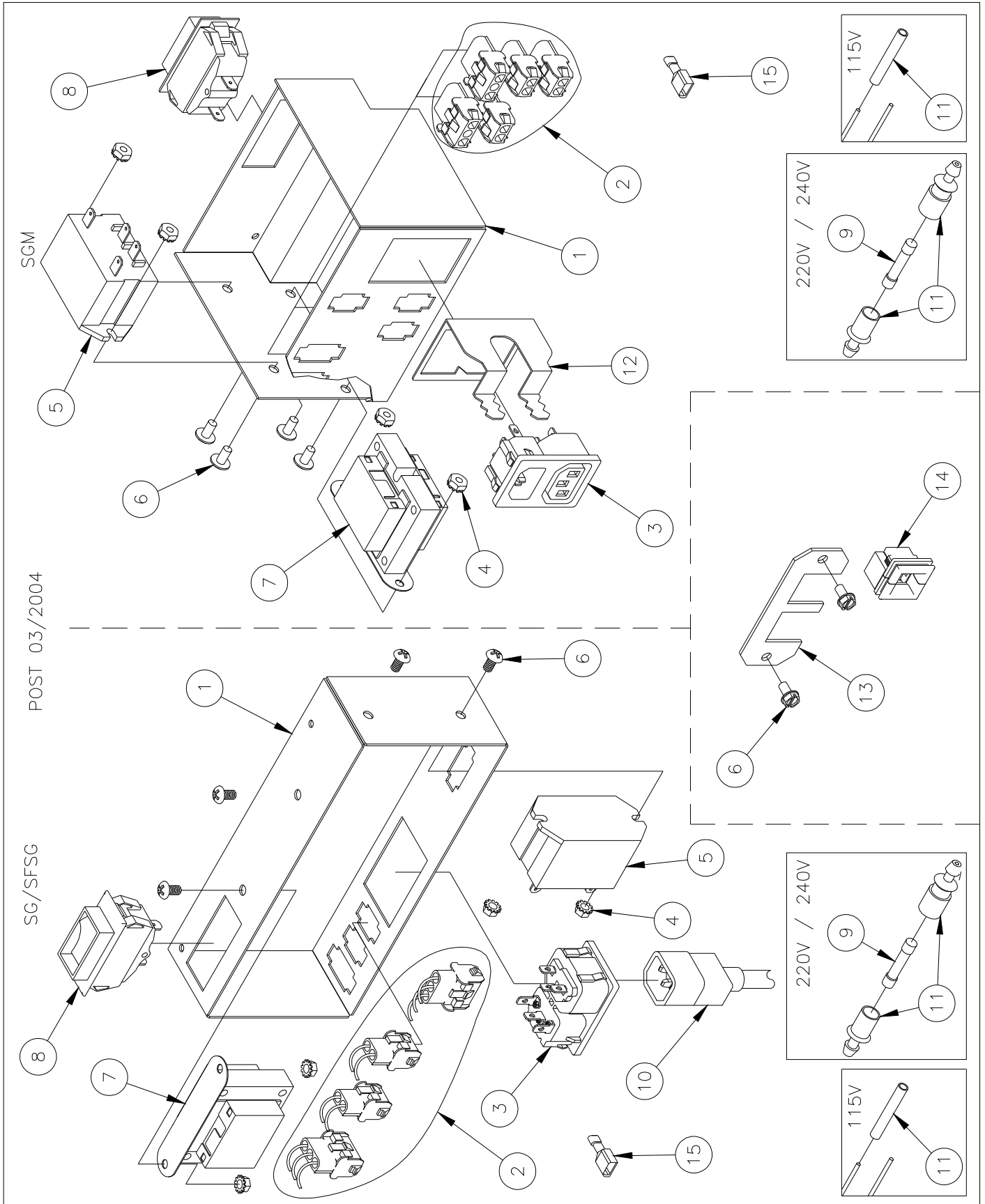
| ITEM# | PART# | PART DESCRIPTION |
|--|------------|--|
| 1 | 60132201 | TEFLON HOSE 3/4 NPT FEMALE SWIVEL X 3/4 MPT |
| 2 | P7036603 | COUPLING 3/4NPT (PRIOR TO JANUARY 2004) |
| | B6677001 | FILTER INLET COUPLING |
| 3 | 60131307 | NIPPLE 3/4NPT X 12 BLACK IRON |
| 4 | A7028801-C | FILTER PUMP PLATE (PRIOR TO JANUARY 2004) |
| | A7029201-C | FILTER PUMP MOUNTING PLATE |
| 5A | 60143501 | PUMP ASSEMBLY 8GPM .3HP 115/230V (50/60HZ) |
| | 60143503 | PUMP ASSEMBLY 8GPM .3HP 208/240V (50/60HZ) |
| | 60143505 | PUMP MOTOR ONLY 8GPM .3HP 115/230V (50/60HZ) |
| | 60143506 | PUMP MOTOR ONLY 8GPM .3HP 208/240V (50/60HZ) |
| | 60143507 | PUMP HEAD ONLY 8GPM (NO MOTOR) |
| 5B | B6683201-C | PUMP ASSEMBLY SERVICE 115/230V (VIKING PUMP) |
| | B6683202-C | PUMP ASSEMBLY SERVICE 208/240V (VIKING PUMP) |
| | 60130803 | PUMP MOTOR ONLY 8GPM .3HP 115/220V (50/60HZ) |
| | 60130804 | PUMP MOTOR ONLY 8GPM .3HP 240V (50HZ) |
| | 60130805 | PUMP HEAD ONLY 8GPM (NO MOTOR) |
| | 60130809 | PUMP MOTOR ONLY 8GPM .3HP 208V (50/60HZ) |
| 6 | P0080750 | WASHER 5/16 FLAT |
| 7 | PP10828 | NUT HEX 5/16 - 18 (KEP) |
| 8 | PP11261 | BOLT 5/16 X 3/4 |
| 9 | PP11338 | POWER CORD MALE IEC-320 16-3 AWG |
| 10 | P9037679 | ELBOW BLACK IRON 90° 3/4NPT |
| 11 | P7037355 | NIPPLE 3/4NPT X 2 BLACK IRON |
| 12 | P7037751 | STREET ELBOW BLACK IRON 90° 3/4NPT |
| 13 | 60133505 | HEATER TAPE 33W 120V 1/2 X 48 |
| | 60133506 | HEATER TAPE 33W 240V 1/2 X 48 |
| | 60133509 | HEATER TAPE 33W 208V 1/2 X 48 |
| | 60133503 | HEATER TAPE 50W 120V 1/2 X 72 (AFTER 3/06) |
| | 60133504 | HEATER TAPE 50W 240/220V 1/2 X 72 (AFTER 3/06) |
| | 60133508 | HEATER TAPE 50W 208V 1/2 X 72 (AFTER 3/06) |
| 14 | A7092201-C | FILTER PIPING CLAMP (NOT USED PRIOR TO JANUARY 2004) |
| 15 | PP10023 | SCREW 10 - 24 X 3/8 SELF TAPPING |
| 16 | A8033801 | ELBOW FEMALE X MALE 15/16 FLARE |
| 17 | 60134902 | SEAL KIT HAIGHT 8GPM |
| | 60134903 | SEAL KIT VIKING 8GPM |
| 18 NOT SHOWN (INCLUDES ALL ITEMS) | B6683101-C | FILTER PUMP ASSEMBLY 115V W/O HEAT TAPE (SG) |
| | B6683102-C | FILTER PUMP ASSEMBLY 208V W/O HEAT TAPE (SG) |
| | B6683103-C | FILTER PUMP ASSEMBLY 230V W/O HEAT TAPE (SG) |
| | B6683104-C | FILTER PUMP ASSEMBLY 240V W/O HEAT TAPE (SG) |
| | B6683105-C | FILTER PUMP ASSEMBLY 115V WITH HEAT TAPE (SG) |
| | B6683106-C | FILTER PUMP ASSEMBLY 208V WITH HEAT TAPE (SG) |
| | B6683107-C | FILTER PUMP ASSEMBLY 230V WITH HEAT TAPE (SG) |
| | B6683108-C | FILTER PUMP ASSEMBLY 240V WITH HEAT TAPE (SG) |

M) PUMP BOX

Pump Box Drawing M Parts List

| ITEM# | PART# | PART DESCRIPTION |
|--|---|---|
| 1 | A7028701-C | FILTER PUMP BOX HOUSING |
| | A7030201-C | FILTER PUMP BOX HOUSING SGM* |
| 2 | B6748701 | FILTER PUMP BOX WIRING |
| | B6751601 | FILTER PUMP BOX WIRING SGM* |
| 3 | 60148401 | POWER INLET/OUTLET IEC320 (REPLACES 60130701, NEW A7028701-C REQUIRED PRIOR TO 6/05) |
| 4 | P0092300 | NUT 10 - 24 (KEP) |
| 5 | PP11058 | RELAY SPST 30A 24VAC (115V) |
| | 60104701 | RELAY DPST 30A 24VAC (208/220/240V) |
| 6 | PP10693 | SCREW 10 - 24 X 3/8 |
| 7 | 60130301 | TRANSFORMER 5VA 120V |
| | 60130302 | TRANSFORMER 5A 240VAC |
| | 60130303 | TRANSFORMER 5VA 208V |
| 8 | 60077901 | CIRCUIT BREAKER, SPST 250V 10A (115V) |
| | 60078502 | CIRCUIT BREAKER, DPST 250V 5A (208/220/240V) |
| 9 | 60132701 | FUSE, CERAMIC 0.2A TD .25 X 1.25 (208/220/240V) |
| 10 | 60128403 | M-F JUMPER CORD IEC-320 16-3 AWG X 34" SFSG* |
| | 60128501 | CORD NEMA 5-15P / IEC320 16-3 AWG X 96" |
| 11 | PP11228 | BUTT SPLICE BLUE (115V) |
| | PP10765 | FUSE HOLDER (208/220/240V) |
| 12 | A7031903-C | CABLE STRAIN RELIEF AND RETAINER SGM* |
| 13 | A1844001-C | CABLE RETAINER |
| 14 | 60130501 | LAY IN STRAIN RELIEF |
| 15 | P05045508 | INSULATED QUICK DISCONNECT TERMINAL .250 BLUE |
| 16 NOT SHOWN (INCLUDES ALL ITEMS) | B6673006-C | FILTER PUMP CONTROL BOX ASSEMBLY 115V SGM* |
| | B6673007-C | FILTER PUMP CONTROL BOX ASSEMBLY 220/240V SGM* |
| | B6675001-C | FILTER PUMP CONTROL BOX ASSEMBLY 115V |
| | B6675002-C | FILTER PUMP CONTROL BOX ASSEMBLY 208V |
| | B6675003-C | FILTER PUMP CONTROL BOX ASSEMBLY 220/240V |
| | B6675004-C | FILTER PUMP CONTROL BOX ASSEMBLY 115V SFSG* |
| | B6675005-C | FILTER PUMP CONTROL BOX ASSEMBLY 208V SFSG* |
| B6675006-C | FILTER PUMP CONTROL BOX ASSEMBLY 220/240V SFSG* | |

Pump Box Drawing M

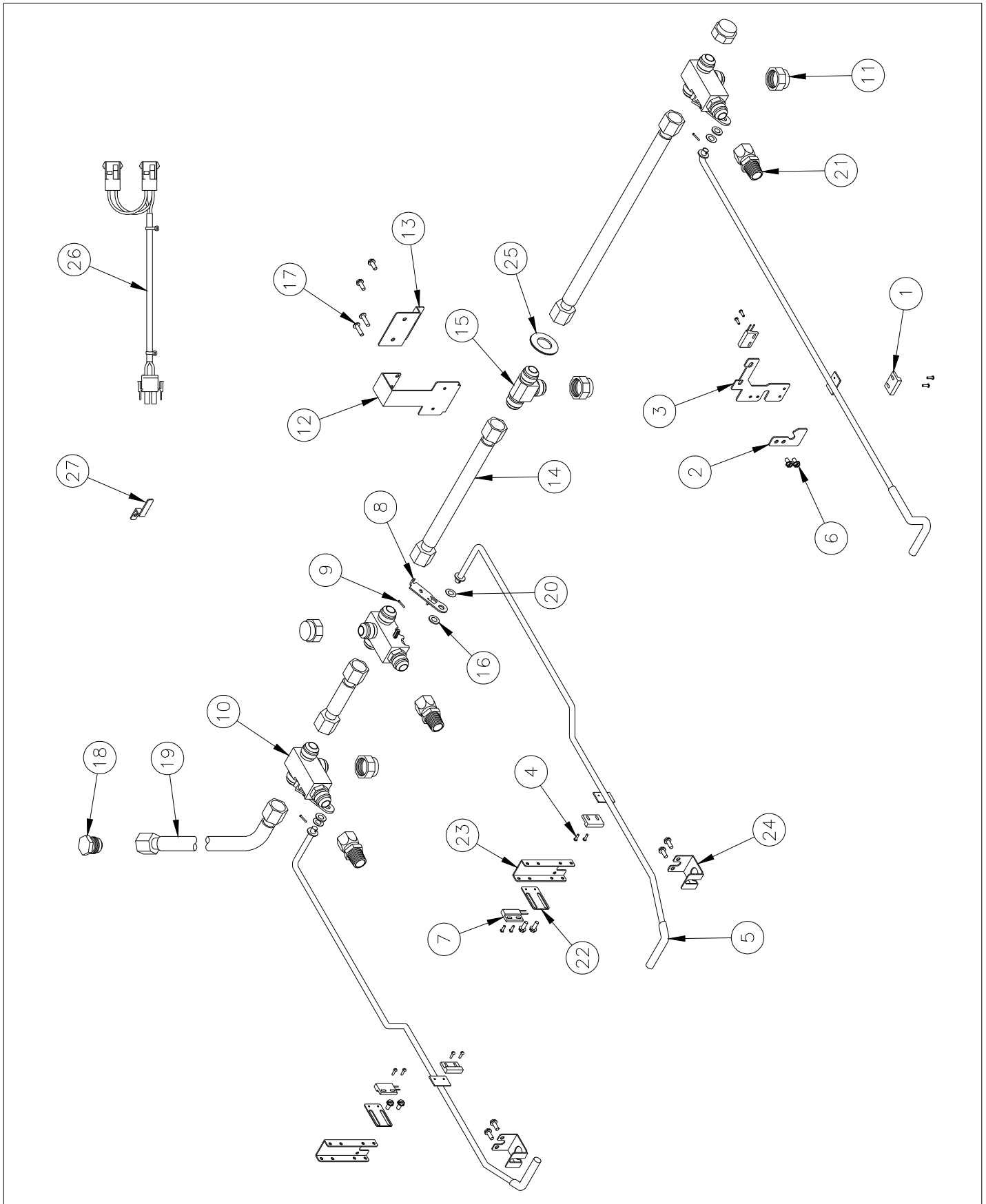


N) RETURN LINE

Return Line Drawing N Parts List

| ITEM# | PART# | PART DESCRIPTION |
|----------|---|--|
| 1 | PP10263 | PROXIMITY ACTUATOR SWITCH |
| 2 | A7020501-C | FILTER RETURN HANDLE BRACKET CLAMP |
| 3 | A7020301-C | FILTER RETURN HANDLE BRACKET SG14, SG18 |
| | A7020401-C | FILTER RETURN HANDLE BRACKET SG14R |
| | A7035301-C | FILTER RETURN HANDLE BRACKET SGM34 |
| | A7035305-C | FILTER RETURN HANDLE BRACKET SGM1824, SGM24 |
| | 4 | PP10266 |
| 5 | B4003701 | RETURN HANDLE SG14, SG14R |
| | B4003702 | RETURN HANDLE SG18 |
| | B4004001 | RETURN HANDLE SG14T |
| | B4005901 | RETURN HANDLE SGM1824, SGM24, SGM34 |
| 6 | PP10023 | SCREW 10 - 24 X 1/2 SELF TAPPING |
| 7 | B5305001 | DRAIN VALVE INTERLOCK ASSEMBLY |
| 8 | 60129802 | RETURN VALVE HANDLE SG14T LH |
| 9 | P0190200 | COTTER PIN 1/16 X 3/4 |
| 10 | 60131801 | FILTER RETURN BALL VALVE 3 WAY (W/ SG14, SG18, SG14T RH HANDLE) |
| 11 | 60130001 | RETURN VALVE END CAP |
| 12 | A7022801-C | FILTER RETURN BRACKET SGBNB |
| 13 | A7022601-C | FILTER RETURN BRACKET FRONT SGBNB |
| 14 | 60135901 | HOSE REINFORCED TEFLON SWIVEL X SWIVEL 14.5 (14-14) |
| | 60135902 | HOSE REINFORCED TEFLON SWIVEL X SWIVEL 19.5 (18-18) |
| | 60135903 | HOSE REINFORCED TEFLON SWIVEL X SWIVEL 17.5 (18-14) |
| | 60135904 | HOSE REINFORCED TEFLON SWIVEL X SWIVEL 15.0 (14-18) |
| | 60128002 | FLEXIBLE TUBING WITH FITTINGS 5.00 (INSIDE 14T-14T) |
| | 60128006 | FLEXIBLE TUBING WITH FITTINGS 8.50 (14T-14T) |
| | 60128007 | FLEXIBLE TUBING WITH FITTINGS 12.50 (14-14T, 14T-14, 14T-18) |
| | 60128008 | FLEXIBLE TUBING WITH FITTINGS 15.50 (14-14, 18-14T, 14-18) |
| | 60128009 | FLEXIBLE TUBING WITH FITTINGS 19.00 (18-18, 18-14, 14-18, 1824-1824) |
| | 60128010 | FLEXIBLE TUBING WITH FITTINGS 22.00 (24-1824, 1824-24) |
| | 60128012 | FLEXIBLE TUBING WITH FITTINGS 28.00 (34-1824, 24-24, 1824-34) |
| 60128013 | FLEXIBLE TUBING WITH FITTINGS 34.00 (34-34, 34-24, 24-34) | |
| 15 | A8033001 | RETURN TEE FLARE X FLARE X FLARE SGBNB |
| 16 | P0080750 | WASHER FLAT 5/16 |
| 17 | PP10693 | SCREW 10 - 24 X 3/8 TH PHILLIPS |
| 18 | 60133801 | VENT TUBE PLUG |
| 19 | 60128010 | FLEXIBLE TUBING WITH FITTINGS 22.00 LH UNIT VENT TUBE |
| 20 | 60131901 | SPRING WASHER 5/8 5/16 HOLE |
| 21 | 60130101 | SWIVEL FITTING NPT TO MPT ADAPTER |
| 22 | A7025501-C | RETURN ACTUATOR SWITCH PLATE SG14T |
| 23 | A7023101-C | RETURN BRACKET REAR SG14T |
| 24 | A7023001-C | RETURN BRACKET FRONT SG14T |
| 25 | P6071220 | GROMMET 1.25 ID X 1.88 OD |
| 26 | B6746301 | RETURN HOSE WIRE JUMPER |
| 27 | A1844401-C | WIRE CLAMP |

Return Line Drawing N

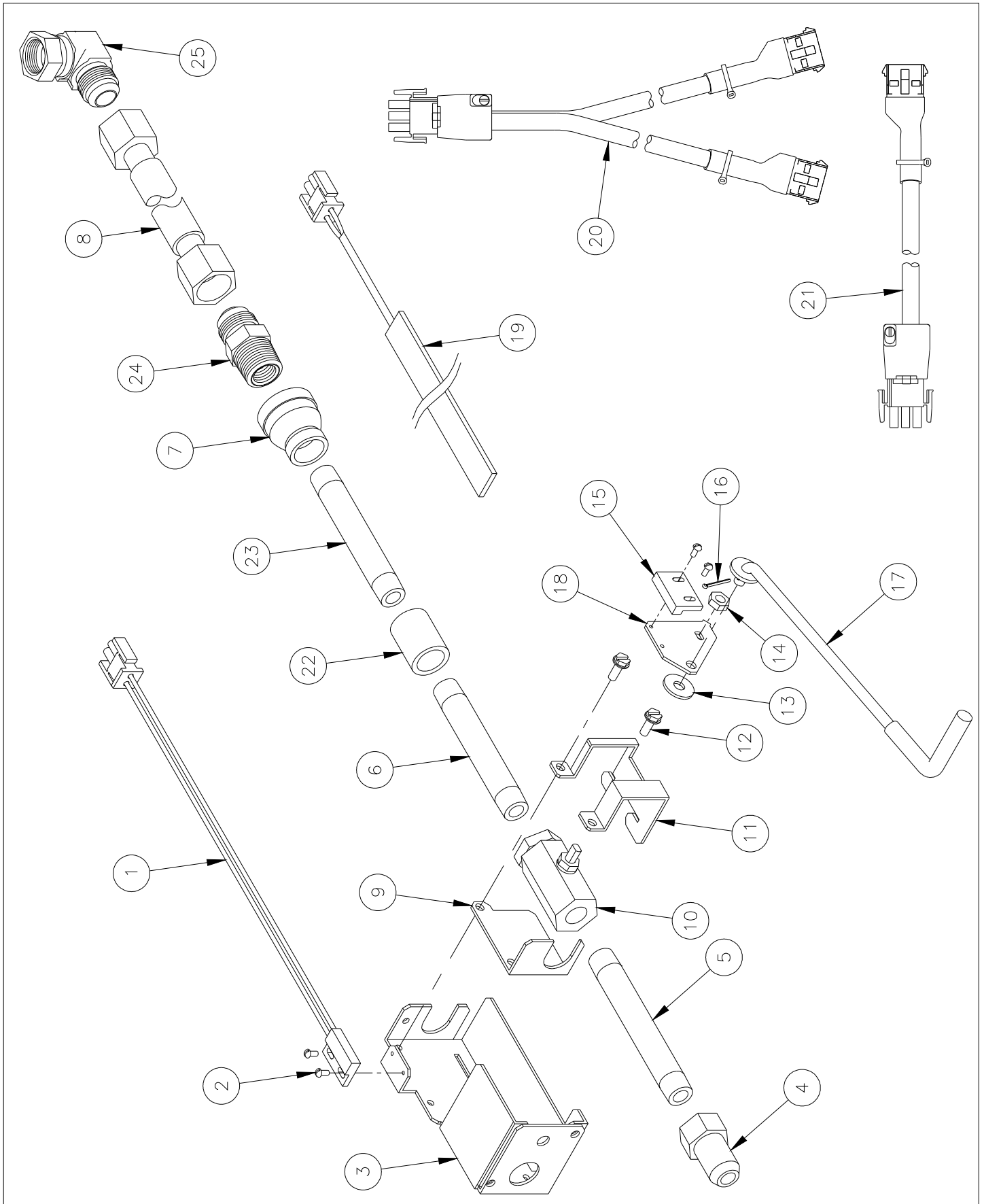


O) FLUSH HOSE ASSEMBLY

Flush Hose Assembly Drawing O Parts List

| ITEM# | PART# | PART DESCRIPTION |
|---|---|--|
| 1 | B5305002 | DVI ASSEMBLY |
| 2 | PP10266 | SCREW 4 - 40 X 1/4 |
| 3 | A5062301-C | FLUSH HOSE OUTER BRACKET |
| | A5070701-C | FLUSH HOSE OUTER BRACKET SFSG14, SFSG14T, SGM24 |
| 4 | PP10741 | CONNECTOR PUSH VALVE |
| 5 | P7037309 | NIPPLE BLACK IRON, 3/8 NPT X 4-1/2 |
| 6 | P7037327 | NIPPLE BLACK IRON, 3/8 NPT X 13-1/2 SG14*, SG18, SGM1824 |
| | P7037321 | NIPPLE BLACK IRON, 3/8 NPT X 10-1/2 SFSG14* |
| | P7037319 | NIPPLE BLACK IRON, 3/8 NPT X 9-1/2 SGM24, SGM34 |
| | P7037305 | NIPPLE BLACK IRON, 3/8 NPT X 2-1/2 W/ WASTE OIL |
| 7 | 60136001 | REDUCING COUPLING 3/4 NPT X 3/8 NPT |
| 8 | 60132201 | TEFLON HOSE 3/4 MPT FEMALE SWIVEL X 3/4 NPT |
| | 60135902 | TEFLON HOSE 19-1/2" 3/4 MPT FEMALE SWIVEL X 3/4 MPT FEMALE SWIVEL (SGM*) |
| 9 | A5062401-C | FLUSH HOSE INNER BRACKET |
| 10 | P6071780 | VALVE, BALL 3/8NPT |
| 11 | A5062201-C | FLUSH HOSE VALVE SUPPORT BRACKET |
| 12 | P0075400 | SCREW 10 - 24 X 1/2 SELF TAPPING |
| 13 | 60131901 | WASHER 5/8 SPRING 5/16 HOLE |
| 14 | | NUT (PART OF ITEM 10) |
| 15 | PP10263 | PROXIMITY SWITCH |
| 16 | P0190200 | COTTER PIN 1/16 X 3/4 |
| 17 | B5006201 | FLUSH HOSE HANDLE |
| | B5007801 | FLUSH HOSE HANDLE SFSG14, SFSG14T, SGM24 |
| 18 | A5062101-C | FLUSH HOSE VALVE HANDLE |
| 19 | 60133501 | HEATER TAPE 1/2 X 33 (115V) |
| | 60133507 | HEATER TAPE 1/2 X 33 (208V) |
| | 60133502 | HEATER TAPE 1/2 X 33 (220/240V) |
| | 60133505 | HEATER TAPE 1/2 X 48 (115V) SGM24, SGM34 |
| | 60133506 | HEATER TAPE 1/2 X 48 (208V) SGM24, SGM34 |
| | 60133509 | HEATER TAPE 1/2 X 48 (220/240V) SGM24, SGM34 |
| 20 | B6748001 | HEAT TAPE WIRING "Y" SPLITTER |
| 21 | B6748101 | HEAT TAPE WIRING EXTENSION 22" |
| | B6748102 | HEAT TAPE WIRING EXTENSION 40" |
| | B6748103 | HEAT TAPE WIRING EXTENSION 59" |
| 22 | P7036600 | COUPLING 3/4 NPT (ONLY USED ON SGM34 & SGM24) |
| 23 | P7037319 | NIPPLE BLACK IRON, 3/8 NPT X 9-1/2 (ONLY USED ON SGM34 & SGM24) |
| 24 | 60129901 | ADAPTER MALE FLARE 45 X MPT (ONLY USED ON SGM*) |
| 25 | A8033801 | ELBOW FEMALE X MALE 15/16 FLARE (ONLY USED ON UNITS W/O WASTE OIL) |
| 26 NOT SHOWN (INCLUDES ALL ITEMS EXCEPT 20 OR 21) | B5006101-C | FLUSH HOSE ASSEMBLY W/O HEAT TAPE |
| | B5006102-C | FLUSH HOSE ASSEMBLY W/ HEAT TAPE (115V) |
| | B5006103-C | FLUSH HOSE ASSEMBLY W/ HEAT TAPE (220/240V) |
| | B5006108-C | FLUSH HOSE ASSEMBLY W/O HEAT TAPE W/ WASTE OIL |
| | B5006109-C | FLUSH HOSE ASSEMBLY W/ HEAT TAPE (115V) W/ WASTE OIL |
| | B5006110-C | FLUSH HOSE ASSEMBLY W/ HEAT TAPE (220/240V) W/ WASTE OIL |
| | B5006114-C | FLUSH HOSE ASSEMBLY W/O HEAT TAPE SGM1824 |
| | B5006115-C | FLUSH HOSE ASSEMBLY W/ HEAT TAPE (115V) SGM1824 |
| | B5006116-C | FLUSH HOSE ASSEMBLY W/ HEAT TAPE (220/240V) SGM1824 |
| | B5006117-C | FLUSH HOSE ASSEMBLY W/ HEAT TAPE (208V) SGM1824 |
| | B5006118-C | FLUSH HOSE ASSEMBLY W/O HEAT TAPE SGM34 |
| | B5006119-C | FLUSH HOSE ASSEMBLY W/ HEAT TAPE (115V) SGM34 |
| | B5006120-C | FLUSH HOSE ASSEMBLY W/ HEAT TAPE (220/240V) SGM34 |
| | B5006121-C | FLUSH HOSE ASSEMBLY W/ HEAT TAPE (208V) SGM34 |
| | B5007901-C | FLUSH HOSE ASSEMBLY W/O HEAT TAPE SFSG14* |
| | B5007902-C | FLUSH HOSE ASSEMBLY W/ HEAT TAPE SFSG14* (115V) |
| | B5007903-C | FLUSH HOSE ASSEMBLY W/ HEAT TAPE SFSG14* (220/240V) |
| | B5007905-C | FLUSH HOSE ASSEMBLY W/O HEAT TAPE SGM24 |
| | B5007906-C | FLUSH HOSE ASSEMBLY W/ HEAT TAPE (115V) SGM24 |
| | B5007907-C | FLUSH HOSE ASSEMBLY W/ HEAT TAPE (220/240V) SGM24 |
| B5007908-C | FLUSH HOSE ASSEMBLY W/ HEAT TAPE (208V) SGM24 | |

Flush Hose Assembly Drawing O

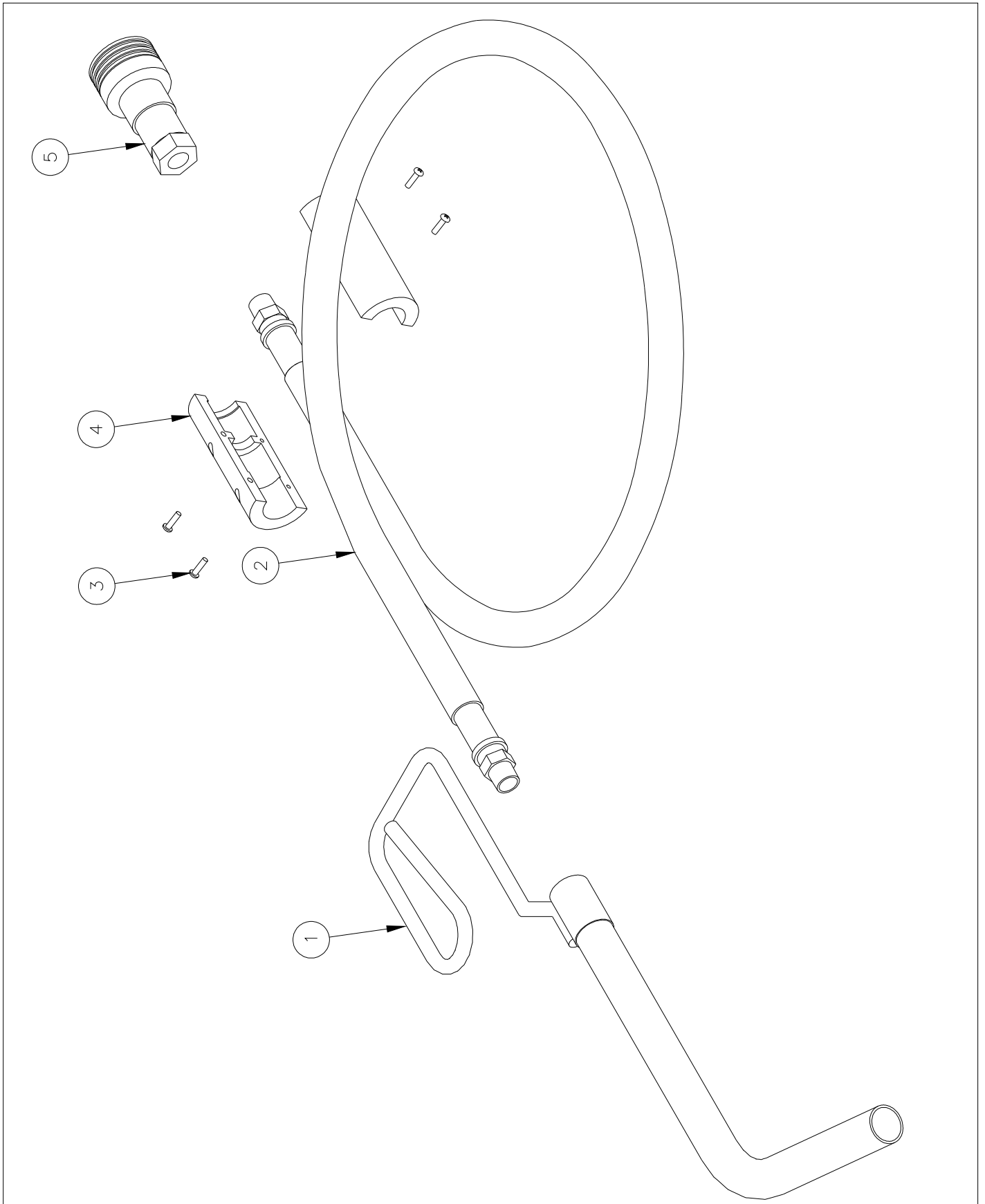


P) FLUSH HOSE (HOSE) ASSEMBLY

Flush Hose (Hose) Assembly Drawing P Parts List

| ITEM# | PART# | PART DESCRIPTION |
|--|----------------------------|--|
| 1 | B6661002 | FILTER RETURN NOZZLE |
| 2 | A6653505 | FILTER RETURN HOSE |
| 3 | PP10689 | SCREW 6 - 32 X 1/2 |
| 4 | A7016401 | COUPLING INSULATOR BODY |
| 5 | B6660001-C | FILTER DISCONNENET INSULATED COUPLING ASSEMBLY |
| 6 NOT SHOWN (INCLUDES ALL ITEMS) | B6623202-C | FILTER FLUSH HOSE ASSEMBLY |

Flush Hose (Hose) Assembly Drawing P

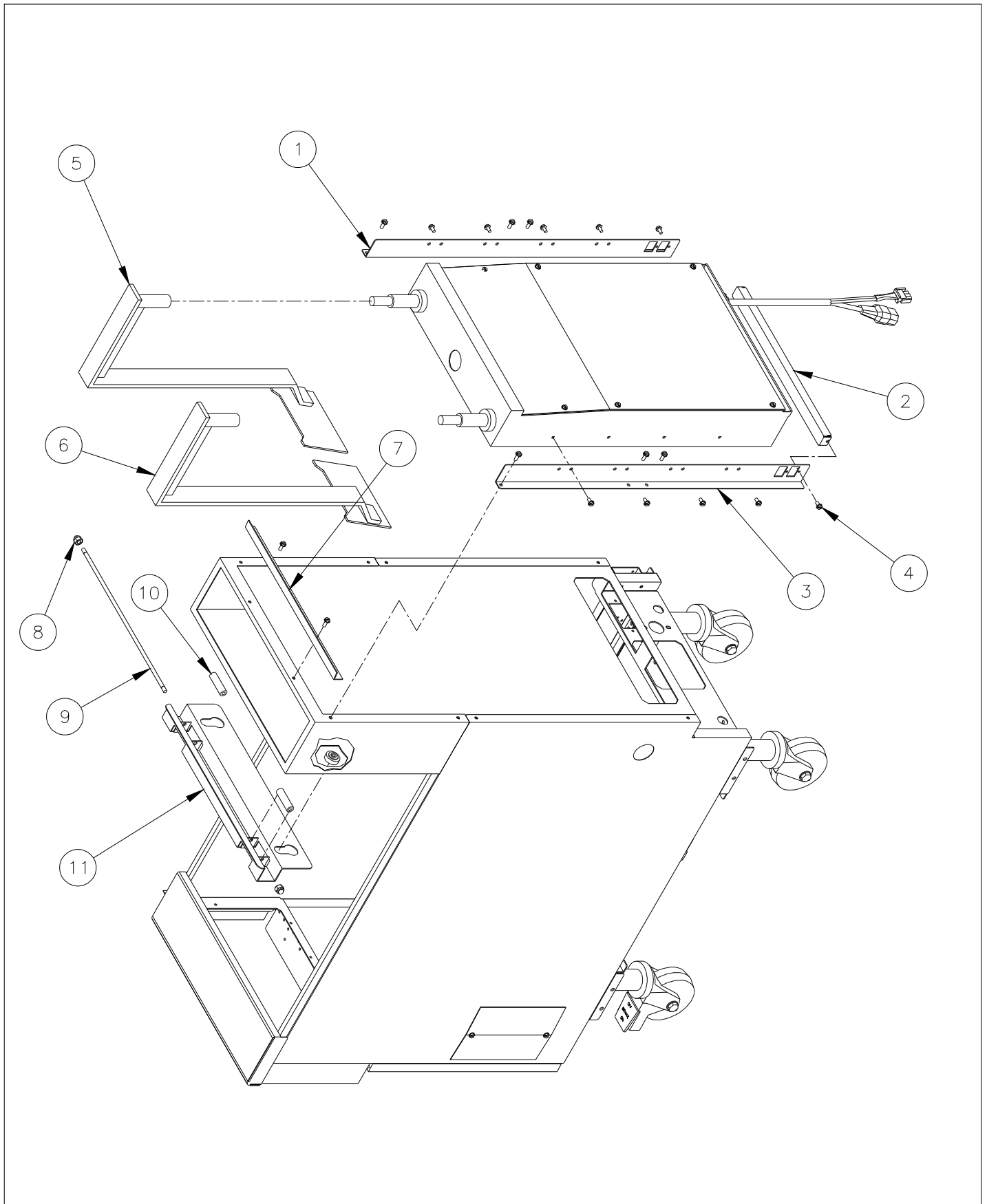


Q) BASKET LIFT

Basket Lift Drawing Q Parts List

| ITEM # | PART # | PART DESCRIPTION |
|---|------------|---|
| 1 | A5618402 | BASKET LIFT MOUNT LEFT-HAND SIDE SG14,SG14R,SG14T |
| | A5618202 | BASKET LIFT MOUNT LEFT-HAND SIDE SG18 |
| 2 | A5618302 | BASKET LIFT MOUNT BOTTOM SG |
| 3 | A5618404 | BASKET LIFT MOUNT RIGHT-HAND SIDE SG14,SG14R,SG14T |
| | A5618204 | BASKET LIFT MOUNT RIGHT-HAND SIDE SG18 |
| 4 | PP10023 | SCREW 10-24 X 3/8 SELF TAPPING |
| 5 | B5606001 | BASKET LIFT HANGER WELDMENT HINGED LEFT-HAND SG14,SG14R,SG14T (REPLACES B5604201) |
| | B5606005 | BASKET LIFT HANGER WELDMENT HINGED LEFT-HAND SG18 (REPLACES B5604301) |
| 6 | B5606002 | BASKET LIFT HANGER WELDMENT HINGED RIGHT-HAND SG14,SG14R,SG14T (REPLACES B5604202) |
| | B5606006 | BASKET LIFT HANGER WELDMENT HINGED RIGHT-HAND SG18 (REPLACES B5604302) |
| 7 | A5618502 | BASKET LIFT DRIP SHIELD SG |
| 8 | PP10668 | NUT ACORN W/CENTERLOCK 1/4-20 |
| 9 | A5617902 | BASKET LIFT HANGER SUPPORT AXLE SG |
| 10 | A5617801 | BASKET LIFT HANGER SUPPORT WHEEL SG |
| 11 | A5618002 | BASKET LIFT HANGER SUPPORT SG14,SG14R,SG14T |
| | A5618102 | BASKET LIFT HANGER SUPPORT SG18 |
| 12 | B5604401 | BASKET LIFT HANGER SUPPORT ASSY SG14,SG14R,SG14T (INCLUDES 8-11) |
| | B5604402 | BASKET LIFT HANGER SUPPORT ASSY SG18 (INCLUDES 8-11) |
| 13 NOT SHOWN (INCLUDES ALL ITEMS) | B5604501-C | BASKET LIFT HANGER AND MOUNTING KIT SG14,SG14R,SG14T (INCLUDES 1-11) |
| | B5604502-C | BASKET LIFT HANGER AND MOUNTING KIT SG18 (INCLUDES 1-11) |

Basket Lift Drawing Q

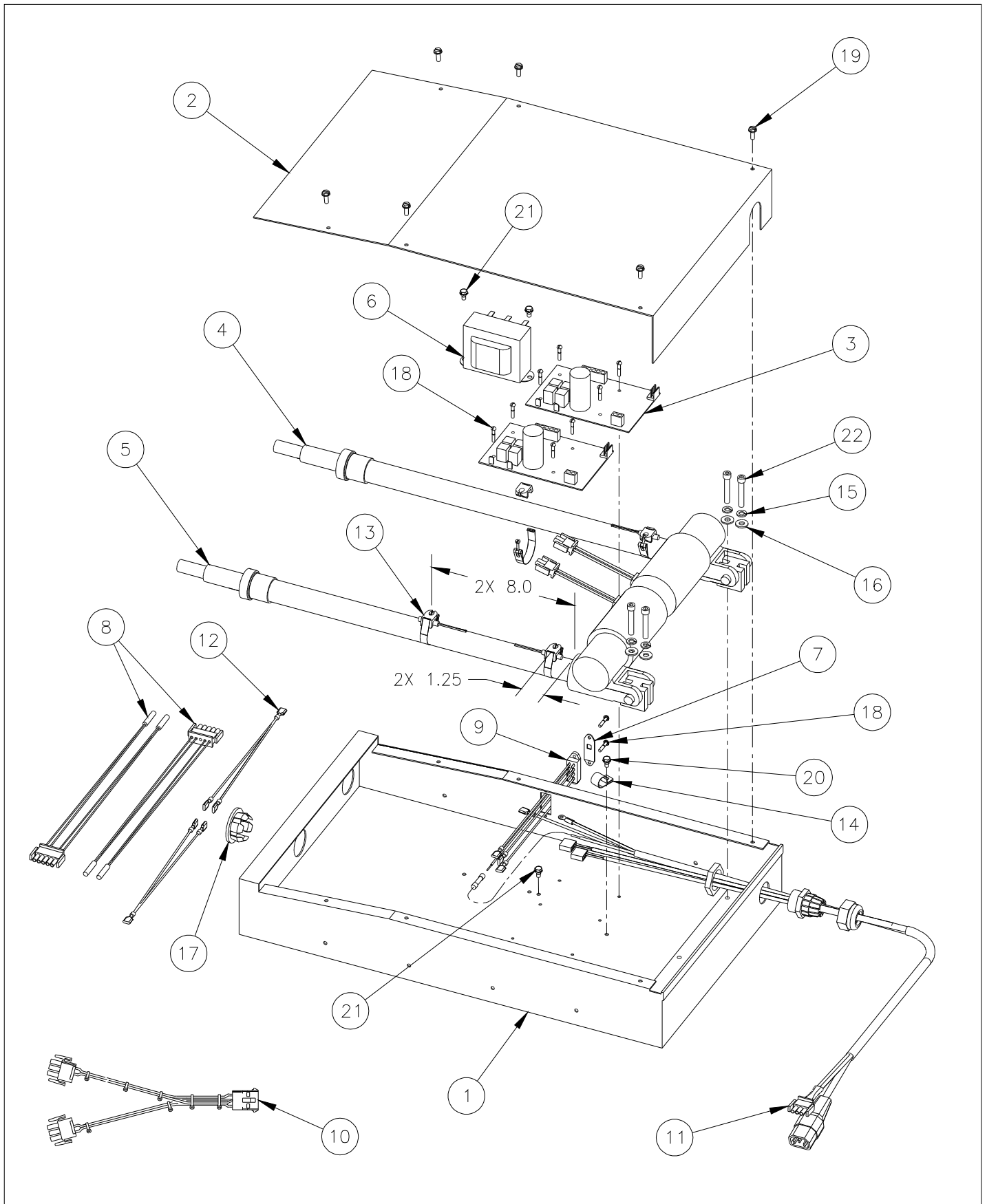


R) BASKET LIFT COMPONENTS

Basket Lift Components Drawing R Parts List

| ITEM # | PART # | PART DESCRIPTION |
|---|------------|---|
| 1 | B5605601 | BASKET LIFT BOX ACTUATOR MODULAR WELDMENT |
| 2 | A5619002 | BASKET LIFT BOX COVER ACTUATOR MODULAR |
| 3 | 60134001 | CONTROL BASKET LIFT DRIVER BOARD |
| 4 | 60134301 | ACTUATOR 25 3.3-9.4 24VDC 1IPS LEFT-HAND |
| 5 | 60134302 | ACTUATOR 25 3.3-9.4 24VDC 1IPS RIGHT-HAND |
| 6 | PP10429-M | TRANSFORMER 80VA 120/208/240V TO 24V |
| 7 | A2958102 | ENTRANCE BOX SWITCH COVER 120V |
| | A2958104 | ENTRANCE BOX SWITCH COVER 208V |
| | A2958106 | ENTRANCE BOX SWITCH COVER 220/240V |
| 8 | B5308901 | WIRING BASKET LIFT LIMIT SWITCH ACTUATOR |
| 9 | B6744901 | WIRING VOLTAGE SELECT 120/208/220-240V |
| 10 | B6748901 | WIRING HARNESS BASKET LIFT (SG14T) |
| 11 | B6779001 | WIRING BASKET LIFT MAIN ACTUATOR |
| 12 | B6779101 | WIRING BASKET LIFT TRANSFORMER ACTUATOR |
| 13 | 60136901 | CLAMP BASKET LIFT LIMIT SWITCH |
| 14 | P6071071 | CLAMP WIRE 3/8 NYLON |
| 15 | PP10673 | WASHER LOCK 1/4 SST SPLIT |
| 16 | N/A | WASHER FLAT 1/4 SST |
| 17 | N/A | HOLE PLUG KEYSTONE #7610 OR EQUIVALENT |
| 18 | N/A | SCREW 6-32 X 3/4 PHH PNH SST W/LK WASHER |
| 19 | P0075400 | SCREW 10-24 X 1/2 SELF TAPPING |
| 20 | PP10693 | SCREW 10-24 X 3/8 PHH TRH ZN |
| 21 | N/A | SCREW 10-24 X 3/8 INDT HEX W/EXT WASHER |
| 22 | N/A | SOCKET HEAD CAP SCREW 1/4-20 X 1-1/2 SST |
| 23 NOT SHOWN (INCLUDES ALL ITEMS) | B5604601-C | BASKET LIFT ACTUATOR BOX ALL VOLTAGES (NOT SHOWN) |

Basket Lift Components Drawing R

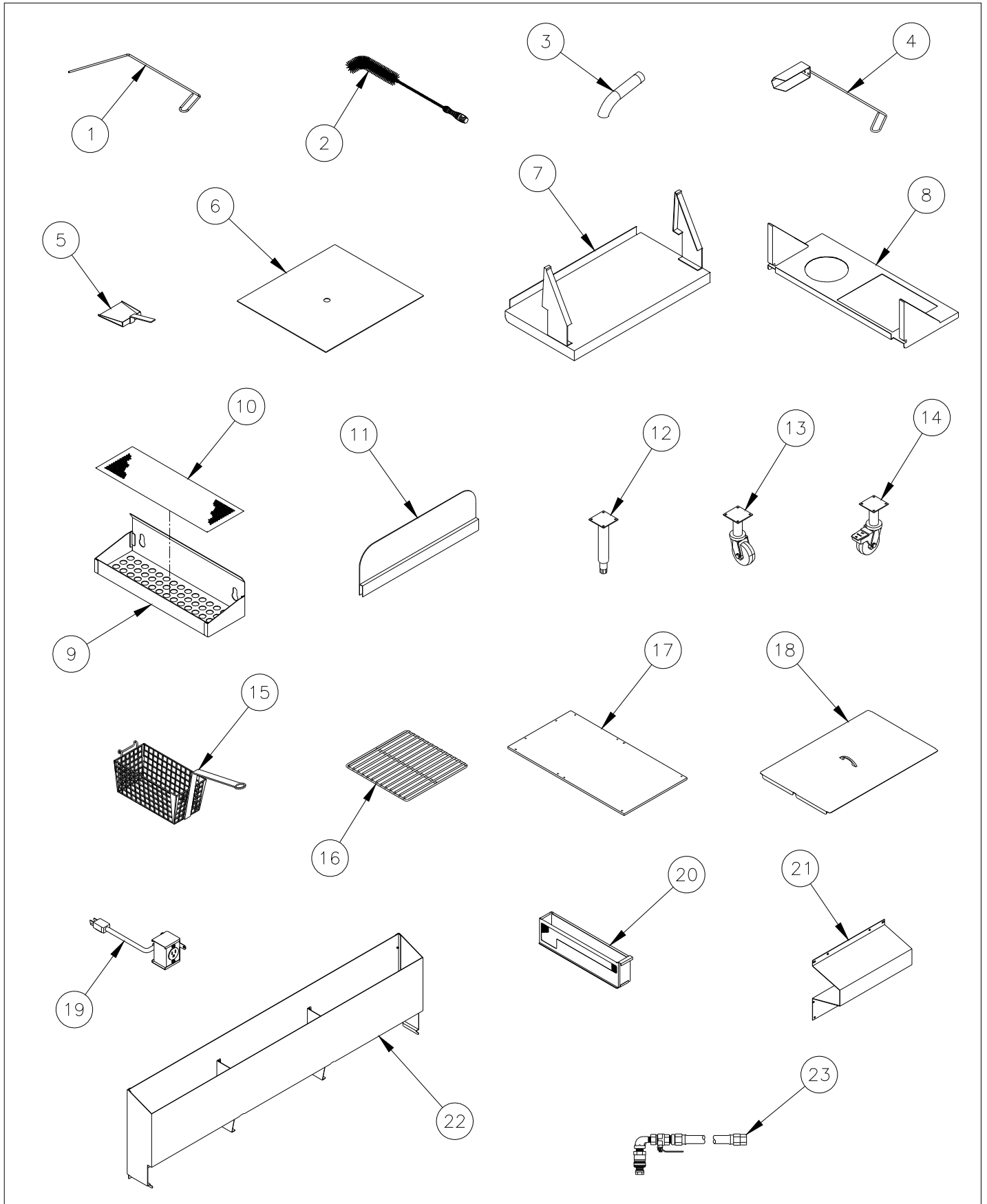


S) ACCESSORIES

Accessories Drawing S Parts List S(A)

| ITEM # | PART # | PART DESCRIPTION | |
|--------|---------------------|--|---|
| 1 | A3301001 | CLEAN-OUT ROD | |
| 2 | PP10056 | CLEANING BRUSH NYLON | |
| 3 | A2510101 | DRAIN EXTENSION | |
| 4 | B5008101 | FRYER CRUMB SCOOP | |
| 5 | B6681201 | FILTER CRUMB SCOOP | |
| 6 | A7025301 | FILTER PAPER 14 X 22 SGM | |
| | PP10613 | FILTER PAPER 18.5 X 20.5 SFD, SFSG18 | |
| | A6667104 | FILTER PAPER 20.5 X 9.92 SFS14, SFSG14R, SFSG14T | |
| 7 | CONTACT PITCO | FRONT WORKSHELF | |
| 8 | CONTACT PITCO | SIDE WORKSEHELVE/DRAINBOARD | |
| 9 | CONTACT PITCO | REAR WORKSHELF | |
| 10 | CONTACT PITCO | REAR WORKSHELF INSERT | |
| 11 | CONTACT PITCO | SPLASH GUARD SIDE | |
| 12 | 60132401 | 9" LEG | |
| | B3900704 | 9" LEG SET OF 4 WITH HARDWARE | |
| | B3902201 | 10" LEG ADJUSTABLE SFSG* | |
| | B3902202 | 11" LEG ADJUSTABLE SGM* | |
| | 60115301 | 9" LEG WITH BOTTOM BOLT FLANGE ADJUSTABLE | |
| | 60115302 | 10" LEG WITH BOTTOM BOLT FLANGE ADJUSTABLE | |
| | 60115303 | 11" LEG WITH BOTTOM BOLT FLANGE ADJUSTABLE | |
| | 60140401 | 4" LEG ADJUSTABLE WITH FLANGED FOOT (SGC ONLY) | |
| 13 | PP10814 | 9" CASTER NON-LOCKING | |
| | B3901504 | 9" CASTER SET OF 4 (2 LOCKING, 2 NON-LOCKING) | |
| | 60095001 | 11" CASTER NON-LOCKING SGM* | |
| | B3902302 | 9" RIGID CASTER NON-LOCKING | |
| | B3902301 | 10" RIGID CASTER NON-LOCKING SFSG14*, SFSG18 | |
| | B3902305 | 11" RIGID CASTER NON-LOCKING SFSGM1824 | |
| 14 | PP10815 | 9" CASTER LOCKING | |
| | 60095002 | 11" CASTER LOCKING SGM* | |
| | B3902304 | 9" RIGID CASTER LOCKING | |
| | B3902303 | 10" RIGID CASTER LOCKING SFSG14*, SFSG18 | |
| | B3902306 | 11" RIGID CASTER LOCKING SFSGM1824 | |
| 15 | P6072184 | TWIN BASKET SG18 | |
| | P6072188 | TWIN BASKET FINE MESH SG18 | |
| | P6072145 | TWIN BASKET SG14, SG14R, SG14T | |
| | P6072146 | TWIN BASKET FINE MESH SG14, SG14R, SG14T | |
| | P6072147 | TRIPLE BASKET SG14, SG14R | |
| | | NOT FOR USE WITH BASKET LIFTS | |
| | | P6072185 | TRIPLE BASKET SG18 |
| | | NOT FOR USE WITH BASKET LIFTS | |
| | | P6072143 | SQUARE BULK BASKET FRONT HANDLE SG14, SG14R |
| | | P6072144 | SQUARE BULK BASKET FINE MESH FRONT HANDLE SG14, SG14R |
| | | P6072181 | SQUARE BULK BASKET FRONT HANDLE SG18 |
| | | P6072180 | SQUARE BULK BASKET SIDE HANDLES SG18 |
| | A4514701 | SMALL BASKET SGM* | |
| | A4514702 | LARGE BASKET SGM* | |
| 16 | SEE PARTS LIST S(B) | TUBE RACK | |
| 17 | SEE PARTS LIST S(B) | CABINET BACK | |
| 18 | SEE PARTS LIST S(B) | TANK COVER ASSEMBLY | |
| 19 | B5007501-C | OUTLET BOX ASSEMBLY 125V 15A | |
| 20 | SEE PARTS LIST S(B) | FILTER CRUMB CATCH BASKET | |
| 21 | A3340601-C | TANK BACK STANDOFF SG14 | |
| 22 | SEE PARTS LIST S(B) | FLUE EXTENSION WELDMENT | |
| 23 | SEE PARTS LIST S(B) | GAS HOSE QUICK DISCONNECT WITH VALVE | |

Accessories Drawing S



Accessories Drawing S Parts List S(B)

| ITEM # | PART # | PART DESCRIPTION |
|------------|---------------------------------|--|
| 16 | P6073148 | TUBE RACK SG14, SG14R |
| | B4511801 | TUBE RACK SG14T |
| | A4500201 | TUBE SCREEN SG14, SG14R, SFSG14 |
| | B4511901 | TUBE RACK SG18 |
| | P6072186 | TUBE SCREEN SG18 |
| | P6072342 | TUBE SCREEN SGM34 |
| | A4514601 | TUBE SCREEN SGM1824 |
| | P6072404 | TUBE SCREEN SGM24 |
| | B7425301-C | FISH GRID SG14 |
| | B7425401-C | FISH GRID SG18 |
| 17 | A1842302-C | CABINET BACK SKIN STANDARD SG14, SG14R, SG14T |
| | A1842304-C | CABINET BACK SKIN STANDARD SG18 |
| | A1842306-C | CABINET BACK SKIN MODULAR SG14, SG14R, SG14T |
| | A1842308-C | CABINET BACK SKIN MODULAR SG18 |
| | A1842316-C | CABINET BACK SKIN FLAT-TOP SGBNB14 |
| | A1842318-C | CABINET BACK SKIN FLAT-TOP SG18 |
| | A1842320-C | CABINET BACK SKIN SHORT FLUE SGC (BEFORE 5/03) |
| A1842322-C | CABINET BACK SKIN TALL FLUE SGC | |
| 18 | B2101501-C | TANK COVER ASSEMBLY SG14, SG14R, SG14T |
| | B2101502-C | TANK COVER ASSEMBLY SG18 |
| | B2101504-C | TANK COVER ASSEMBLY SGC |
| | B2101512-C | TANK COVER ASSEMBLY SGM24 |
| | B2101513-C | TANK COVER ASSEMBLY SGM34 |
| | B2101603-C | TANK COVER ASSEMBLY BASKET-LIFT SG14, SG14R, SG14T |
| | B2101604-C | TANK COVER ASSEMBLY BASKET-LIFT SG18 |
| 20 | B5006901 | FILTER CRUMB CATCH BASKET SFD |
| | B6674101 | FILTER CRUMB CATCH BASKET SFSG18 |
| 22 | B3505001-C | FLUE EXTENSION WELDMENT SG18-3 |
| | B3505002-C | FLUE EXTENSION WELDMENT SG18-2 |
| | B3505003-C | FLUE EXTENSION WELDMENT SG18 |
| | B3505004-C | FLUE EXTENSION WELDMENT SG14-3 |
| | B3505005-C | FLUE EXTENSION WELDMENT SG14-2 |
| | B3505006-C | FLUE EXTENSION WELDMENT SG14 |
| 23 | B8003102 | GAS HOSE QUICK DISCONNECT WITH VALVE 3/4 NPT X 36" |
| | B8003103 | GAS HOSE QUICK DISCONNECT WITH VALVE 3/4 NPT X 48" |
| | B8003105 | GAS HOSE QUICK DISCONNECT WITH VALVE 1 NPT X 36" |
| | B8003106 | GAS HOSE QUICK DISCONNECT WITH VALVE 1 NPT X 48" |
| | B8003108 | GAS HOSE QUICK DISCONNECT WITH VALVE 1-1/4 NPT X 36" |
| | B8003109 | GAS HOSE QUICK DISCONNECT WITH VALVE 1-1/4 NPT X 48" |



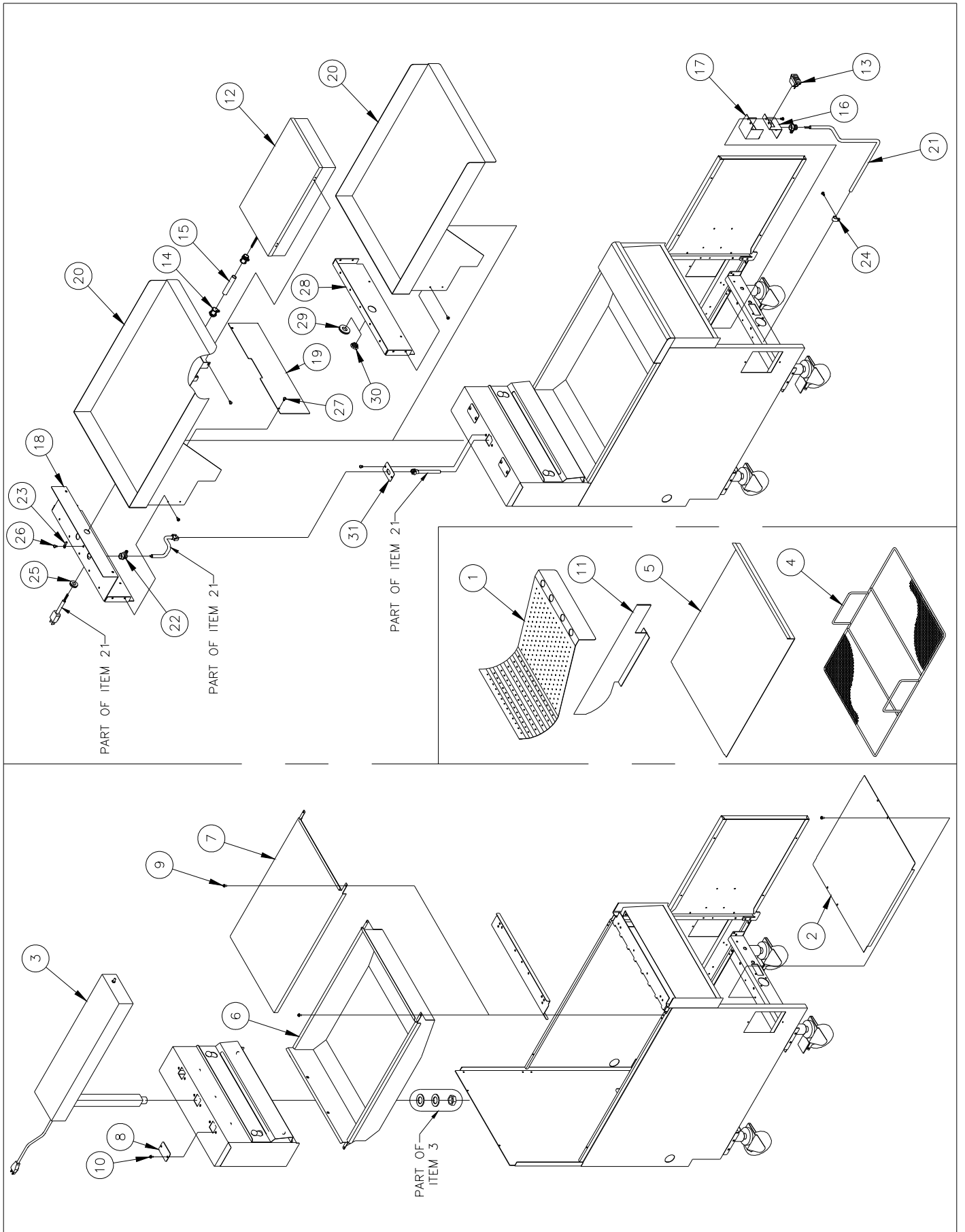
This Page Left Intentionally Blank

T) BNB

BNB Drawing T Parts List

| ITEM # | PART # | PART DESCRIPTION |
|--------------------|------------|--|
| 1 | A5824202-C | SCOOPED PAN LINER SGBNB14 |
| | A5825304-C | SCOOPED PAN LINER SGBNB14 DIVIDED |
| | A5824204-C | SCOOPED PAN LINER SGBNB18 |
| | A5825302-C | SCOOPED PAN LINER SGBNB18 DIVIDED |
| 2 | A5824101-C | BNB BOTTOM SHELF SGBNB14 |
| | A5824103-C | BNB BOTTOM SHELF SGBNB18 |
| 3 | PP10907 | FOODWARMER, BUILT-IN 115V |
| | PP10908 | FOODWARMER, BUILT-IN 208V |
| | PP10909 | FOODWARMER, BUILT-IN 240V |
| | P5044760 | FOODWARMER, FREE STANDING 115V |
| | P5044770 | FOODWARMER, FREE STANDING 230V |
| 4 | B4508108 | BNB SCREEN SGBNB14 |
| | B4508107 | BNB SCREEN SGBNB18 |
| 5 | A5823902-C | BNB FLUSH WORK TOP SGBNB14 |
| | A5823904-C | BNB FLUSH WORK TOP SGBNB18 |
| 6 | B5803701-C | BNB PAN SGBNB14 |
| | B5803702-C | BNB PAN SGBNB18 |
| 7 | A5824002-C | BNB PAN SGBNB14 FLAT TOP |
| | A5824004-C | BNB PAN SGBNB18 FLAT TOP |
| 8 | A5811004-C | BNB HEAT LAMP COVER PLATE |
| 9 | PP10023 | SCREW 10-24 X 3/8 SELF TAPPING |
| 10 | 60125801 | SCREW 10-24 X 3/8 TH SLOT |
| 11 | A5825202-C | SCOOPED PAN LINER DIVIDER SG |
| 12 | 60143101 | FOODWARMER, 10 X 18 115V MARSHALL |
| 13 | PP10995 | SWITCH, ROCKER SPST (I-0) |
| 14 | 60143201 | FITTING, 1/2 EMT X MALE NPT |
| 15 | A5825401-C | CONDUIT, SGBNB EMT |
| 16 | A5825501-C | SWITCH BOX, FRONT SGBNB MARSHALL HEAT LAMP |
| 17 | A5825601-C | SWITCH BOX, BACK SGBNB MARSHALL HEAT LAMP |
| 18 | A5825804-C | TOP WORKSHELF, ENTRANCE BOX SGBNB14 MARSHALL |
| | A5825802-C | TOP WORKSHELF, ENTRANCE BOX SGBNB18 MARSHALL |
| 19 | A5825904-C | TOP WORKSHELF, COVER SGBNB14 MARSHALL |
| | A5825902-C | TOP WORKSHELF, COVER SGBNB18 MARSHALL |
| 20 | B5803803-C | TOP WORKSHELF WELDMENT SGBNB14 |
| | B5803804-C | TOP WORKSHELF TOP WELDMENT SGBNB14 WITH MARSHALL HEAT LAMP |
| | B5803801-C | TOP WORKSHELF WELDMENT SGBNB18 |
| | B5803802-C | TOP WORKSHELF WELDMENT SGBNB18 WITH MARSHALL HEAT LAMP |
| 21 | B6780401 | WIRING HARNESS, TOP WORKSHELF MARSHALL HEAT LAMP |
| 22 | P5046220 | BUSHING, STRAIN RELIEF - SCREW CABLE |
| 23 | P5046782 | TERMINAL, RING BLUE #10 |
| 24 | P6071071 | WIRE CLAMP, 3/8 NYLON |
| 25 | P6071223 | GROMMET, RUBBER .50 ID |
| 26 | PP10693 | SCREW, 10-24 X 3/8 THRUSS HEAD PHILLIPS |
| 27 | PP10699 | SCREW, 10-24 X 3/4 ROUND HEAD PHILLIPS STAINLESS |
| 28 | A5824604-C | TOP WORKSHELF BACK COVER SGBNB14 |
| | A5824602-C | TOP WORKSHELF BACK COVER SGBNB18 |
| 29 | P6071227 | GROMMET, RUBBER .75 ID |
| 30 | P6071499 | 1-1/4 HOLE PLUG |
| 31 | A5826002 | BNB SPLASH BACK COVER WITH MARSHALL HEAT LAMP |
| 32 NOT SHOWN | B5803902-C | TOP WORKSHELF ASSEMBLY SGBNB14 (INCL. ITEMS 9, 20, 28,29, & 30) |
| | B5803901-C | TOP WORKSHELF ASSEMBLY SGBNB18 (INCL. ITEMS 9, 20, 28,29, & 30) |
| | B5804202-C | TOP WK SHF ASSY SGBNB14 W/ HEAT LAMP (INCL. ITEMS 9, 12 THRU 27) |
| | B5804201-C | TOP WK SHF ASSY SGBNB18 W/ HEAT LAMP (INCL. ITEMS 9, 12 THRU 27) |

BNB Drawing T

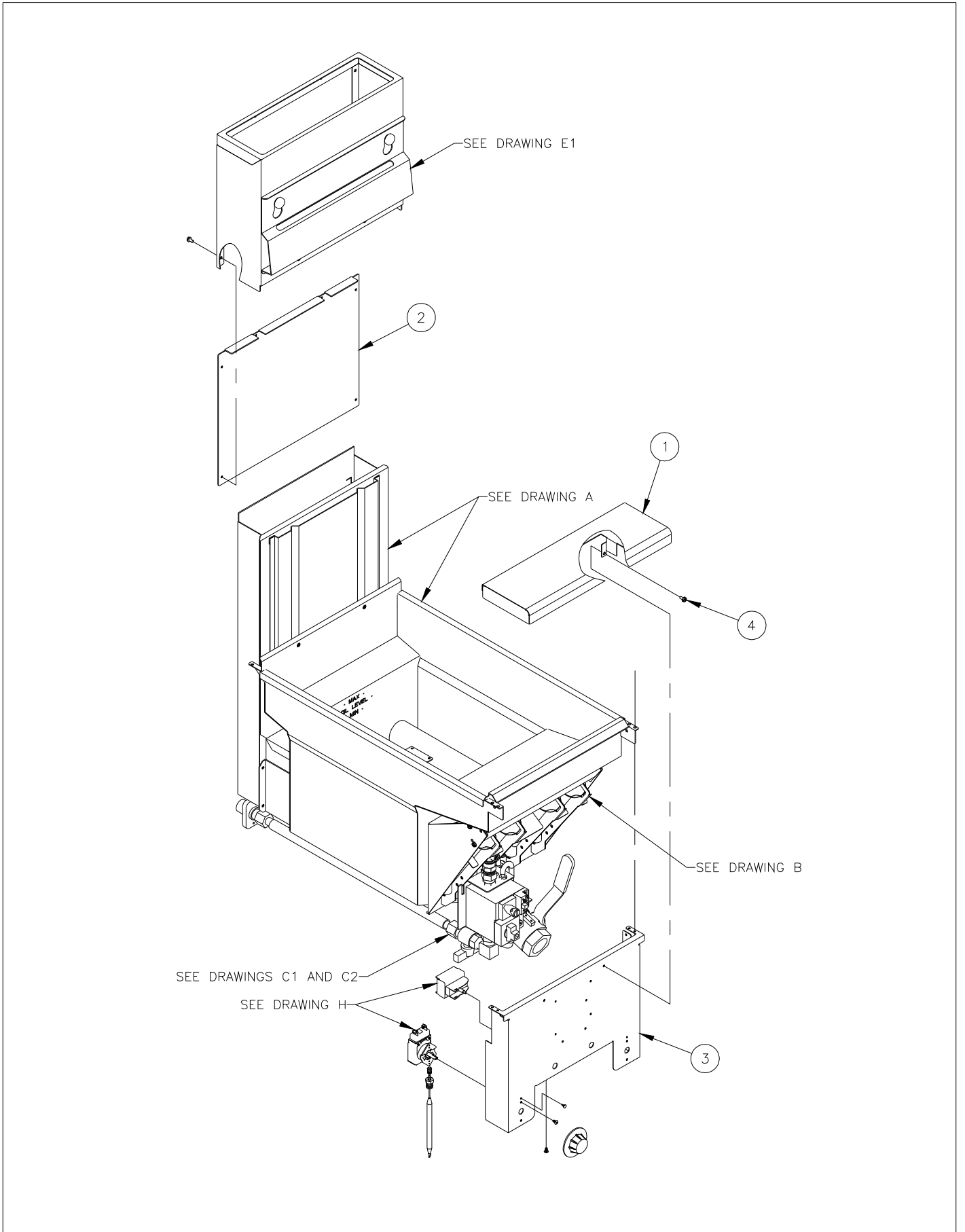


U) DROP INS

Drop Ins Drawing U Parts List

| ITEM # | PART # | PART DESCRIPTION |
|--------|----------------------------|--|
| 1 | B3632501-C | FRONT PANEL TOP DECK, SG14DI, SG14RDI, SG14TDI |
| | A4107303-C | FRONT PANEL TOP DECK, SG18DI |
| 2 | A4107301-C | SPLASH BACK, REAR SG14DI, SG14RDI, SG14TDI |
| | A4107303-C | SPLASH BACK, REAR SG18DI |
| 3 | A3669201-C | FRONT PANEL, SG14DI, SG14RDI, SG14TDI |
| | A3669301-C | FRONT PANEL, SG18DI |
| 4 | PP10023 | SCREW 10-24 X 3/8 SELF TAPPING |

Drop Ins Drawing U





In the event of problems with or questions about your order, please contact the Pitco Frialator factory at

(800) 258-3708 US and Canada only

(603) 225-6684 World Wide

www.pitco.com

In the event of problems with or questions about your equipment, please contact the Pitco Frialator Authorized Service and Parts representative (ASAP) covering your area, or contact Pitco at the numbers listed to the left.

MAILING ADDRESS – P.O. BOX 501, CONCORD, NH 03302-0501

SHIPPING ADDRESS – 10 FERRY ST., CONCORD, NH 03301