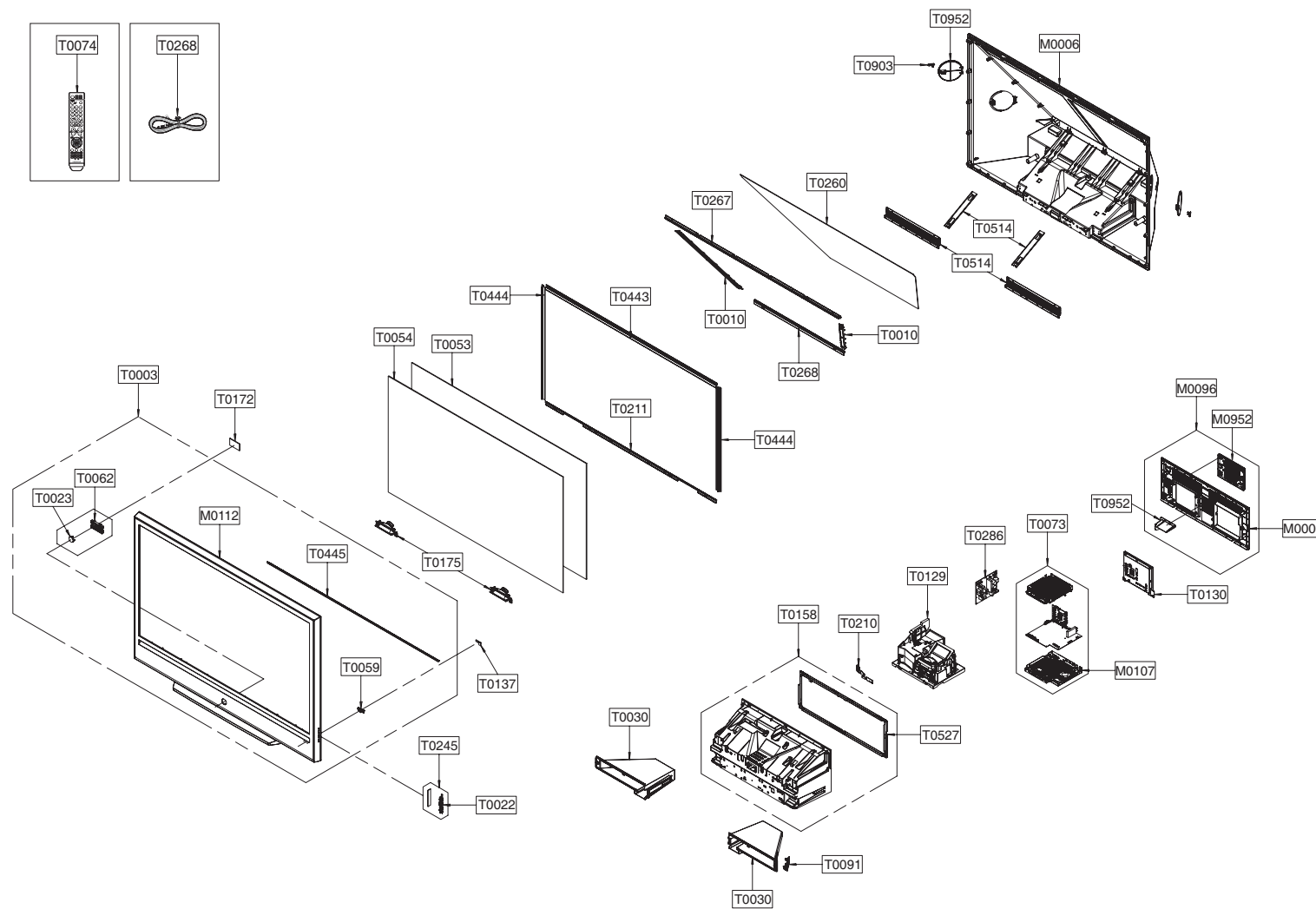


4. Exploded View & Part List

4-1 HLT6756WX/XAA



Loc.No.	Code No.	Description	Specification	Q'ty	SA/SNA	Remark
M0006	BP63-00431B	COVER-REAR	67K3,PS,HB,BK500,NON-DACA	1	S.N.A	
M0006	BP63-00401C	COVER-REAR BOTTOM	72K8,HIPS,V0,BK500,NON	1	S.N.A	
M0096	BP96-00938G	ASSY COVER P-REAR BOTTOM	72K8,HIPS V0,BK	1	S.A	
M0107	BP61-01473A	BRACKET-PCB	56K7(ULTRA SLIM),SECC,T0.8	1	S.N.A	
M0112	BP63-01034A	COVER-FRONT	67K3,ABS+PMMA,HB,BK23,STEAM	1	S.N.A	
M0952	BP63-00529B	COVER-DUCT	72K8,ABS,V0,BLK,RTI 95	1	S.N.A	
M0952	BP63-00530A	COVER-DUCT	L6,PS,V0,GRAY	1	S.N.A	
T0003	BP96-01926A	ASSY COVER P-FRONT	67K3,SEA,ABS+PMMA HB,	1	S.A	
T0010	BP96-01032A	ASSY HOLDER P-MIRROR LEFT	67L6,HIPS HB,B	1	S.N.A	
T0010	BP96-01033A	ASSY HOLDER P-MIRROR RIGHT	67L6,HIPS HB,	1	S.N.A	
T0022	BP64-00667A	KNOB CONTROL	67K3,ABS,HB,BK500	1	S.N.A	
T0023	BP64-00589A	KNOB POWER	K3,PC,VIOLET	1	S.N.A	
T0030	BP96-01927A	ASSY COVER P-SIDE	67K3(LEFT),PS HB,BK500	1	S.A	
T0030	BP96-01929A	ASSY COVER P-SIDE	67K3(RIGHT),PS HB,BK50	1	S.A	
T0053	BP67-00187A	SCREEN FRESNEL	67W,1524*875,T2.0	1	S.A	
T0054	BP67-00186A	SCREEN LENTI	67W,1524*875,T2.1	1	S.A	
T0059	BP64-00625A	INDICATOR LED	56K6(SLIM),PC,CLEAR	1	S.N.A	
T0062	BP61-01227A	HOLDER-POWER	K3,ABS HB,BK07,AL V/P	1	S.N.A	
T0073	BP94-02309B	ASSY PCB MAIN-CLUB	HLT6756WX/XAA,L67B,K3	1	S.A	
T0074	BP59-00123A	REMOCON	CATTLEYA(CLUB),TM87C,SAMSUNG28P,	1	S.A	
T0091	BP94-02270W	ASSY PCB MISC-A/V SIDE	HLT6756WX/XAA	1	S.N.A	
T0129	BP96-01840H	ASSY ENGINE P-DLP	K280(67K3),LAMP DLP,Ph	1	S.A	
T0130	BP96-01864B	ASSY COVER P-TERMINAL BOARD	56K3,SEA(ORC)	1	S.N.A	
T0137	BP94-02271N	ASSY PCB MISC-LED	HLT6756WX/XAA	1	S.N.A	
T0158	BP96-00937H	ASSY COVER P-MAIN	72K8,HIPS,V0,BK500,NON	1	S.N.A	
T0172	BP94-02272F	ASSY PCB MISC-RMC	HLT6756WX/XAA	1	S.N.A	
T0175	BP96-01638A	ASSY SPEAKER P	8ohm,K3 VE,10W,700mm / 16	1	S.A	
T0210	BP61-01047A	BRACKET-EARTH	L6,SPTB,T0.5,NTR	1	S.N.A	
T0211	BP61-01566A	BRACKET-SCREEN BOTTOM	67K3,AL6063 EXTR,B	1	S.N.A	
T0245	BP94-02305B	ASSY PCB MISC-KEY CONTROL	HLT6756WX/XAA	1	S.N.A	
T0260	BP67-00215A	MIRROR-FRONT	Front mirror 67",glass,1510	1	S.A	
T0267	BP61-00938A	BRACKET-MIRROR TOP	67L6,AL6063 EXTR	1	S.N.A	
T0268	BP61-00986A	BRACKET-MIRROR BOTTOM	67L6,AL6063 EXTR,T	1	S.N.A	
T0268	3903-000144	CBF-POWER CORD	DT,US,BP3/Y,U(IEC C13-RA)	1	S.A	
T0286	BP94-02316A	ASSY PCB MISC-POWER(CLUB)	ORCHID,CLUB	1	S.A	
T0443	BP96-01928A	ASSY BRACKET P-SCREEN TOP	67K3,AL EXTR,B	1	S.N.A	
T0444	BP96-01931A	ASSY BRACKET P-SCREEN SIDE	67K3(LEFT),AL	1	S.N.A	
T0444	BP96-01932A	ASSY BRACKET P-SCREEN SIDE	67K3(RIGHT),A	1	S.N.A	
T0445	BP96-01930A	ASSY BRACKET P-SCREEN BOTTOM	67K3,AL EXT	1	S.N.A	
T0514	BP61-00916A	BRACKET-SUPPORT	67L6,SECC-1,T1.2,NTR,BAC	2	S.A	
T0514	BP61-00918A	BRACKET-SUPPORT	61L6,SECC-1,T1.6,NTR	2	S.N.A	
T0527	BP61-01045A	BRACKET-COVER	L6,SECC-1,T1.2,NTR,BOTTOM	1	S.N.A	
T0903	BP61-00528B	HOLDER-DUST	56L8,HIPS HB,BLK	2	S.N.A	
T0952	BP63-00294C	COVER DUST-ASSY	56L8,HIPS,HB,BLK	2	S.N.A	