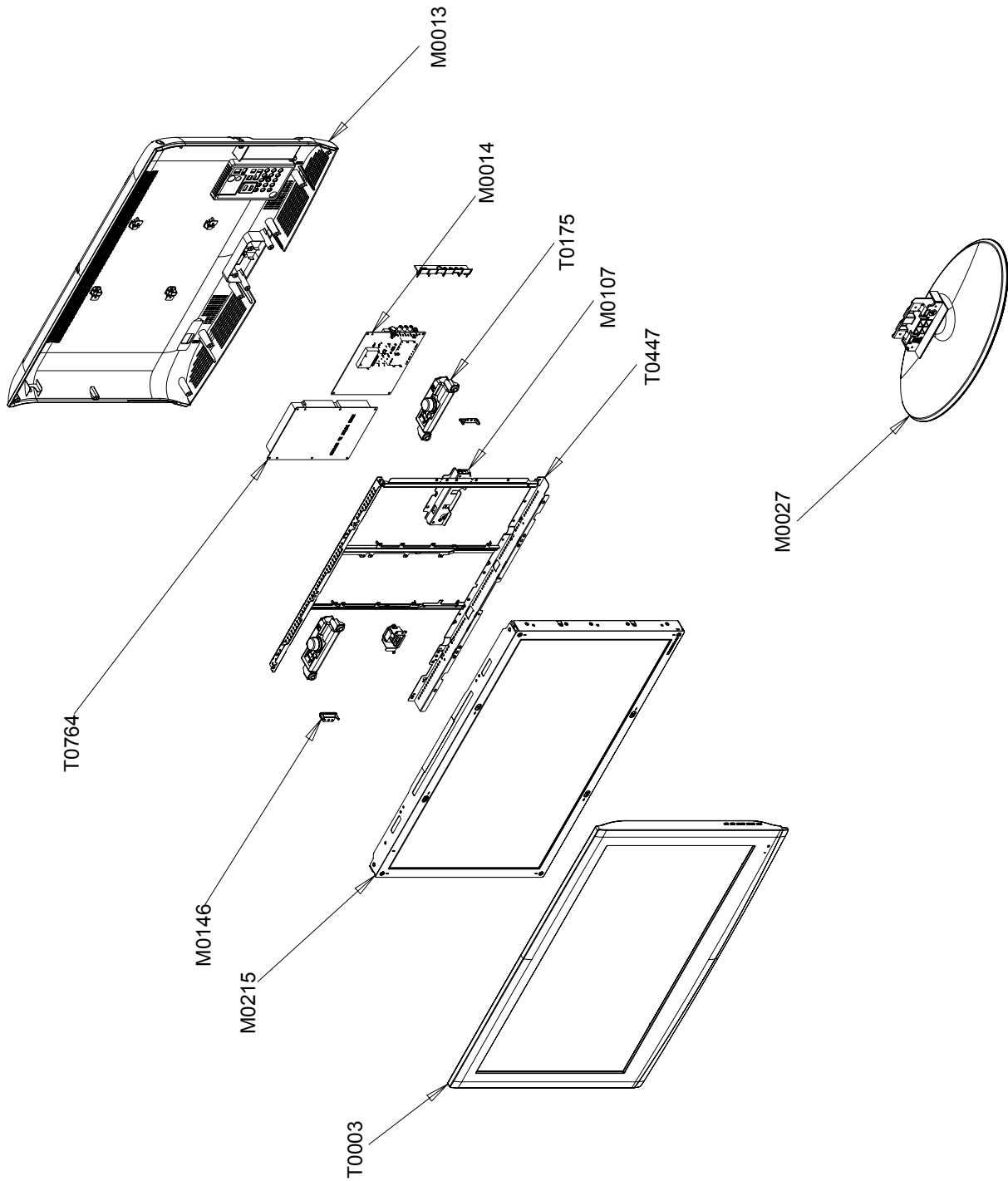


5. Exploded View & Part List

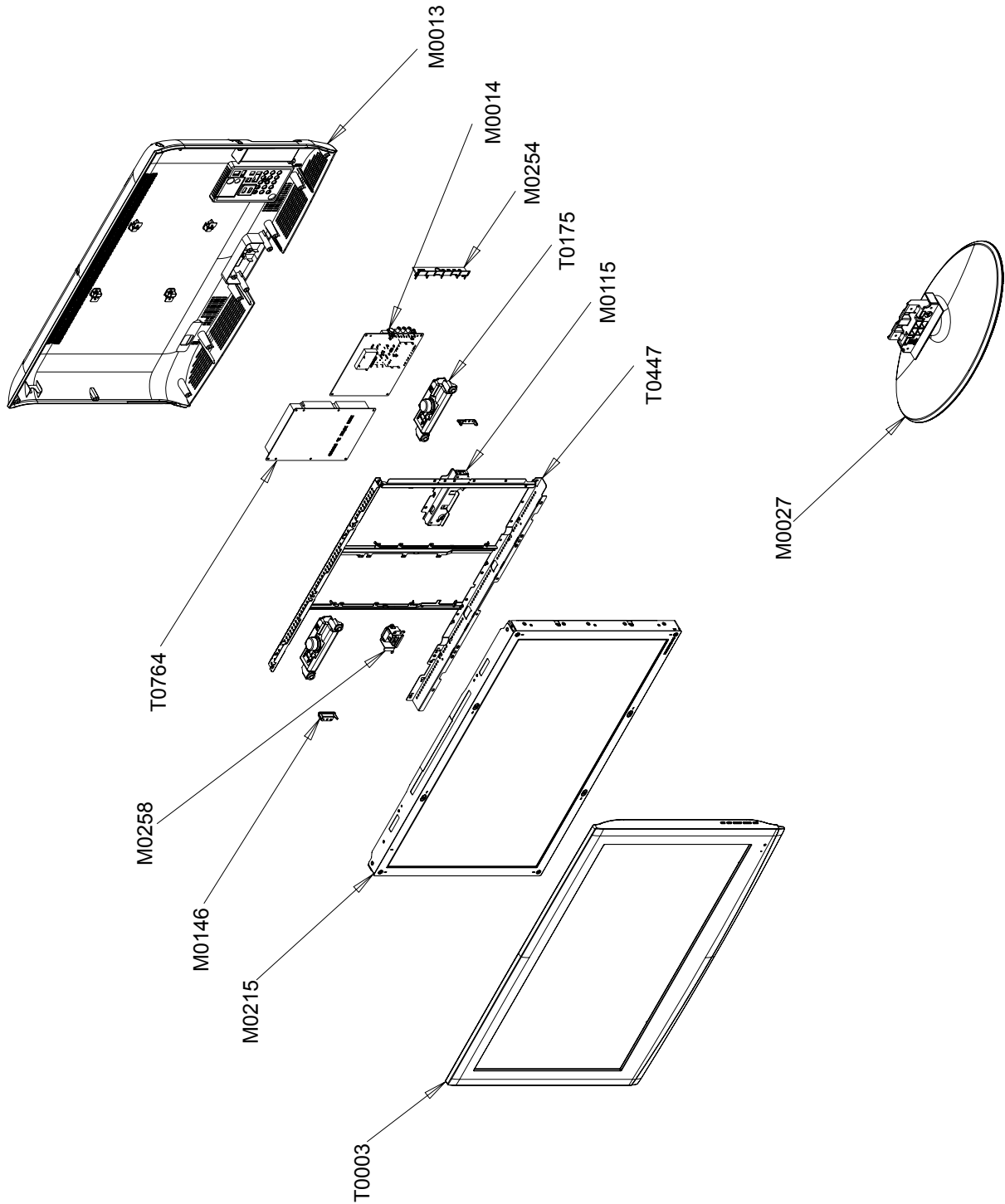
5-1. LN26A330J1D Exploded View



5-1-1. LN26A330J1D Parts List

Location No.	Code No.	Description & Specification	Q'ty	S.A/S.N.A	Remark
T0003	BN96-04750G	ASSY COVER P-FRONT;26L330,UO,PC+ABS,V0,B	1	S.A	
M0215	BN07-00364A	LCD-PANEL;V260B1-L04,6bit+FRC,26inch,16.	1	S.A	
M0146	BN61-02207A	BRACKET-PANEL SIDE;Bordeaux 26,SECC,T1.2	4	S.N.A	
M0027	BN96-04745A	ASSY STAND P-BASE;- ,22,23,26S81,-,ABS+PM	1	S.A	
M0014	BN94-01724B	ASSY PCB MAIN;LN26A330J1DXZA	1	S.A	
M0115	BN61-02931A	BRACKET-STAND LINK;JASMINE 26,SECC,T1.6	1	S.A	
T0175	BN96-04769A	ASSY SPEAKER P;16ohm,4pin,5W,Jasmine 23"	1	S.A	
T0764	BN44-00192B	SMPS-LCDTV;MK32P3,DYREL,AC/DC,180W,AC100	1	S.A	
M0013	BN96-04755C	ASSY COVER P-REAR;26L330,UO,HIPS,V0,BK50	1	S.A	

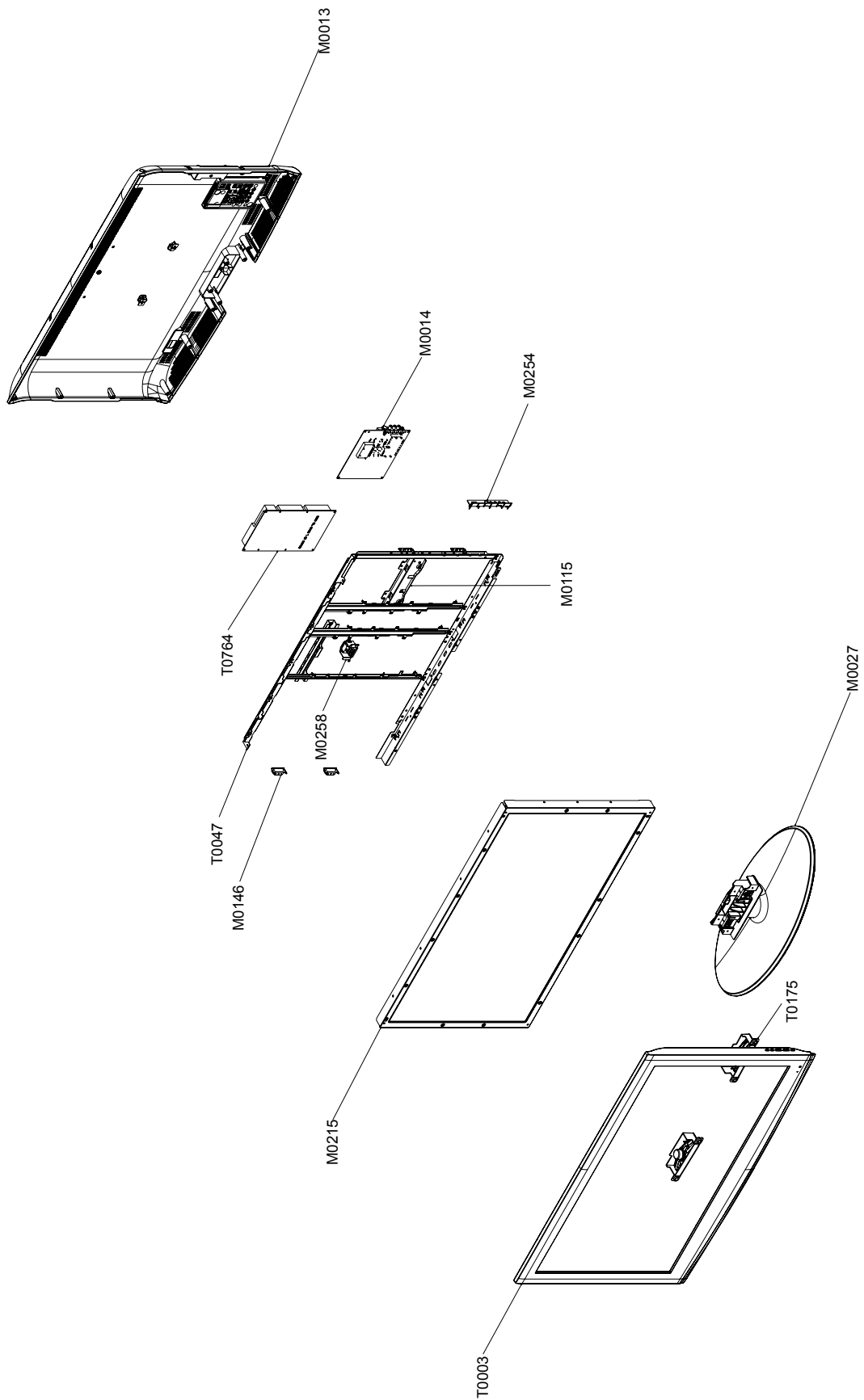
5-2. LN32A330J1D Exploded View



5-2-1. LN32A330J1D Parts List

Location No.	Code No.	Description & Specification	Q'ty	S.A/S.N.A	Remark
T0003	BN96-04694P	ASSY COVER P-FRONT;32L330,UO,PC+ABS,V0,B	1	S.A	
M0215	BN07-00348A	LCD-PANEL;V315B1-L01,8bit,31.5inch,16.7M	1	S.A	
M0146	BN61-02419A	BRACKET-PANEL SIDE;SONOMA 32,SECC,T1.2,A	4	S.N.A	
T0447	BN96-04681E	ASSY BRACKET P-PANEL;-;32R81,-,-,-,AM,	1	S.N.A	
M0115	BN61-02947A	BRACKET-STAND LINK;JASMINE 32",SECC,T1.6	1	S.A	
T0175	BN96-04770A	ASSY SPEAKER P;8ohm,4pin,10W,Jasmine 32"	1	S.A	
M0254	BN61-03972A	HOLDER-SIDE AV;L330,HIPS,V0,-,-,-,BK500,	1	S.N.A	
M0014	BN94-01724C	ASSY PCB MAIN;LN32A330J1DXZA	1	S.A	
M0013	BN96-04696L	ASSY COVER P-REAR;32L330,UO,HIPS,V0,BK50	1	S.A	
M0027	BN96-07542A	ASSY STAND P-BASE;32L330,ABS+PMMA,HB,BK2	1	S.A	
T0764	BN44-00191B	SMPS-LCDTV;MK32P3,SEM,AC/DC,180W,AC100 ~	1	S.A	

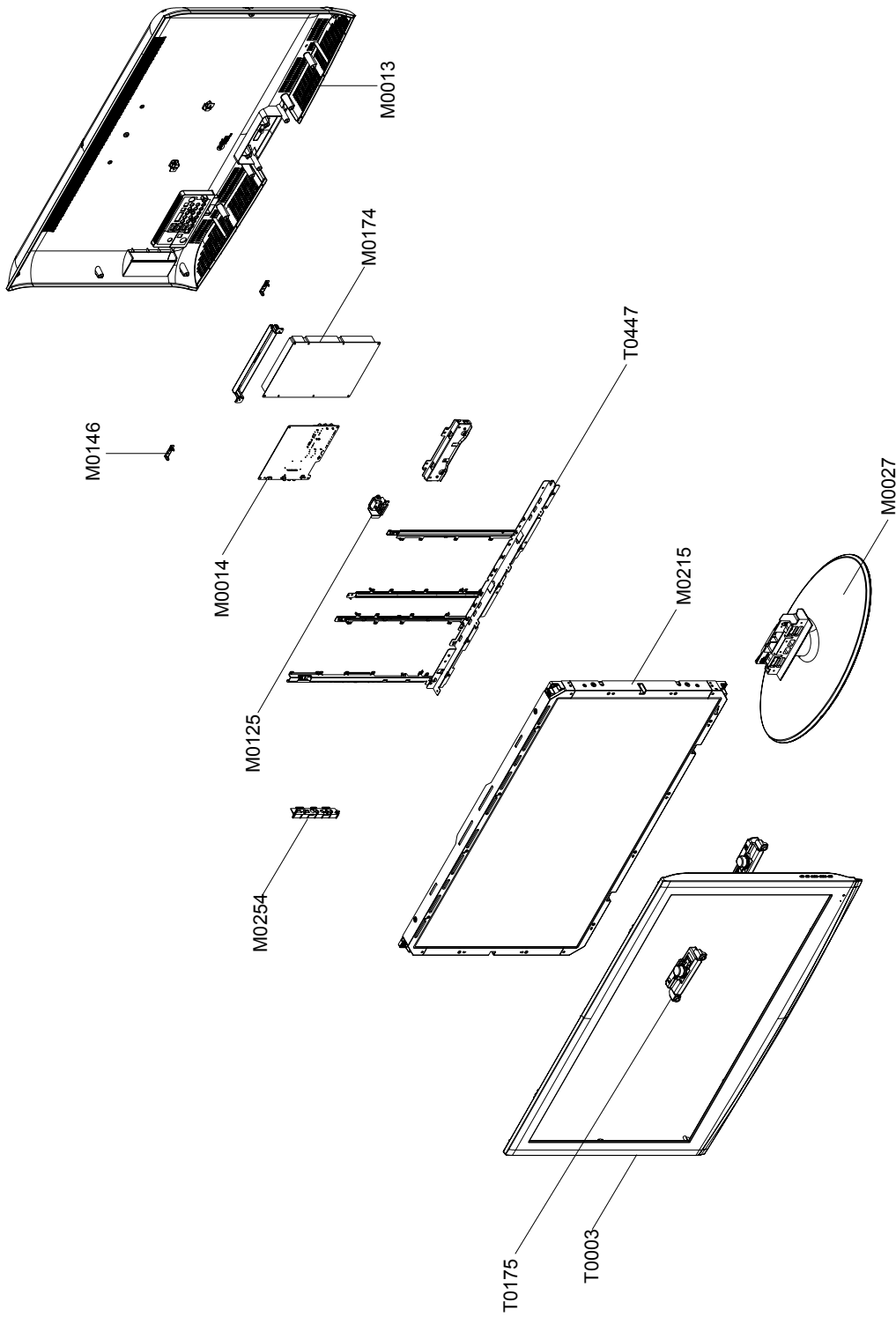
5-3. LN37A330J1D Exploded View



5-3-1. LN37A330J1D Parts List

Location No.	Code No.	Description & Specification	Q'ty	S.A/S.N.A	Remark
T0003	BN96-04752M	ASSY COVER P-FRONT;37L330,UO,PC+ABS,V0,B	1	S.A	
T0175	BN96-04770B	ASSY SPEAKER P;8ohm,4pin,10W,600/1250mm,	1	S.A	
M0215	BN07-00446A	LCD-PANEL;CLAA370WA03SC,8bit,37inch,16.7	1	S.A	
M0146	BN61-02971A	BRACKET-PANEL TOP;37 BORDEAUX PLUS,SECC,	1	S.N.A	
M0115	BN61-02882A	BRACKET-STAND LINK;TULIP,40,SECC,T1.6,-,	1	S.A	
M0254	BN61-03972A	HOLDER-SIDE AV;L330,HIPS,V0,-,-,BK500,	1	S.N.A	
T0764	BN44-00220A	SMPS-LCDTV;MK37P5T,DYREL,AC/DC,171W,AC10	1	S.A	
M0014	BN94-01724D	ASSY PCB MAIN;LN37A330J1DXZA	1	S.A	
M0013	BN96-04756J	ASSY COVER P-REAR;37L330,UO,HIPS,V0,BK50	1	S.A	
M0027	BN96-07541A	ASSY STAND P-BASE;40L330,ABS+PMMA,HB,BK2	1	S.A	

5-4. LN40A330J1D Exploded View



5-4-1. LN40A330J1D Parts List

Location No.	Code No.	Description & Specification	Q'ty	S.A/S.N.A	Remark
T0003	BN96-04753X	ASSY COVER P-FRONT;40L330,UO,PC+ABS,V0,B	1	S.A	
T0175	BN96-04770B	ASSY SPEAKER P;8ohm,4pin,10W,600/1250mm,	1	S.A	
M0027	BN96-07541A	ASSY STAND P-BASE;40L330,ABS+PMMA,HB,BK2	1	S.A	
M0215	BN07-00523A	LCD-PANEL;LTF400AA01,8bit,40inch,16.7M,1	1	S.A	
T0447	BN96-04679J	ASSY BRACKET P-PANEL;40L330,SECC,JADE	1	S.N.A	
M0254	BN61-03972A	HOLDER-SIDE AV;L330,HIPS,V0,-,-,BK500,	1	S.A	
M0115	BN61-02882A	BRACKET-STAND LINK;TULIP,40,SECC,T1.6,-,	1	S.A	
T0101	BN61-02968A	BRACKET-WALL;40 BORDEAUX PLUS,SECC,T1.2,	1	S.N.A	
M0174	BN44-00199A	IP BOARD;IP-211135,PEARL,15mA,130mA,150H	1	S.A	
M0146	BN61-02972A	BRACKET-PANEL TOP;40 BORDEAUX PLUS,SECC,	1	S.N.A	
M0013	BN96-04758J	ASSY COVER P-REAR;40L330,UO,HIPS,V0,BK50	1	S.A	

5-5. LN26A330J1D Parts List

Level	Location No.	Code No.	Description & Specification	Q'ty	SA/SNA	Remark
		LN26A330J1DXZA	LN26A330J1D,N45A/26S80-GJE,26,LCD-TV,UNI			
0.1	M0001	BN90-01201K	ASSY COVER FRONT;26L330	1	S.N.A	
..2	T0003	BN96-04750G	ASSY COVER P-FRONT;26L330,UO,PC+ABS,V0,B	1	S.A	
...3	M0081	6003-001188	SCREW-TAPTITE;BH,+,-,B,M4,L10,ZPC(WHT),S	2	S.N.A	
...3	M0081	6003-001188	SCREW-TAPTITE;BH,+,-,B,M4,L10,ZPC(WHT),S	2	S.N.A	
...3	M0081	6006-001096	SCREW-TAPTITE;BH,+,-,WP,B,M4.0,L12,ZPC(BLK	4	S.N.A	
...3	M0162	6502-001067	CABLE CLAMP;DAFC-1300,ID2.2,T5.2,NYLIN6/	2	S.N.A	
...3	T0069	AA60-00091J	SPACER-FELT;-,-,FELT,330X10,-,-,BLK,T0.5,-	2	S.N.A	
...3	T0069	AA60-00171N	SPACER-FELT;61L3,FELT,620,T0.5,10	2	S.N.A	
...3	T0060	BN61-01655A	SPRING ETC;STS-304 SUS,D8,L12,T0.5	1	S.N.A	
...3	CCM1	BN63-02183F	COVER-SHEET;Rhcm,PE Vinyl,T0.05,900mm,20	0.4	S.N.A	
...3	M0112	BN63-03172E	COVER-FRONT;26L330,UO,PC+ABS,-,-,-,V0,-,	1	S.N.A	
...3	T0059	BN64-00366A	INDICATOR LED;ROME-I,PC,CLEAR,ALL MODEL	1	S.N.A	
...3	T0022	BN64-00467D	KNOB CONTROL;MOSEL32,ABS,-,-,-,V0(NT),BK	1	S.N.A	
...3	T0023	BN64-00589A	KNOB POWER;32S81,PC,-,-,-,VIOLET,-,-	1	S.N.A	
...3	T0054	BN64-00590A	KNOB-DECORATION;JASMINE 32,ABS,-,-,-,HB,	1	S.N.A	
...3	M0145	BN96-03466A	ASSY BOARD P-FUNCTION;SONOMA,SJ06-01-008	1	S.A	
...3	T0175	BN96-04769A	ASSY SPEAKER P;16ohm,4pin,5W,Jasmine 23"	1	S.A	
...3	M0146	BN96-04884B	ASSY BOARD P-POWER & IR;LNT3242HX/XAA,CT	1	S.A	
...3	M0025	BN96-04748E	ASSY DECORATION P;26L330,PC+ABS,V0,BK25,	1	S.N.A	
...4	B/TAPE	BN61-03261C	BOSS-TAPE;Tulip,ACRYL,T1.1,W24mm,GRAY,TA	0.6	S.N.A	
...4	T0056	BN63-03174E	COVER-DECORATION;26L330,PC+ABS,-,-,-,V0,	1	S.N.A	
...3	M0081	6003-000275	SCREW-TAPTITE;BH,+,-,B,M3,L10,ZPC(BLK),S	1	S.N.A	
...3	T0069	AA60-00091E	SPACER-FELT;-,-,FELT,100X10,-,-,BLK,T0.5,-	1	S.N.A	
0.1	M0002	BN90-01207J	ASSY COVER REAR;26L330	1	S.N.A	
..2	T0081	6002-001294	SCREW-TAPPING;BH,+,-,M4,L16,ZPC(BLK)	2	S.A	
..2	T0081	6002-001294	SCREW-TAPPING;BH,+,-,M4,L16,ZPC(BLK)	11	S.A	
..2	M0081	6003-000115	SCREW-TAPTITE;BH,+,-,B,M3,L6,ZPC(BLK),SWRC	1	S.A	
..2	M0013	BN96-04755C	ASSY COVER P-REAR;26L330,UO,HIPS,V0,BK50	1	S.A	
...3	M0081	6003-001188	SCREW-TAPTITE;BH,+,-,B,M4,L10,ZPC(WHT),S	4	S.N.A	
...3	T0101	BN61-03346A	BRACKET-WALL;LCD TV,SECC,T1.2	4	S.N.A	
...3	M0006	BN63-03173C	COVER-REAR;26L330,UO,HIPS,-,-,-,V0,-,BK5	1	S.N.A	
...3	T0071	BN64-00818A	INLAY-TERMINAL;L330/L430,UO,PS SHEET,T0.	1	S.N.A	
...3	T0064	BN65-00002A	CLAMPER CORE;BORDEAUX,LDPE,-,-,BLK,-	1	S.N.A	
...3	T0069	AA60-00091K	SPACER-FELT;-,-,FELT,330X10,-,-,BLK,T0.35,	2	S.N.A	
0.1	M0216	BN90-01212A	ASSY STAND;26S81	1	S.N.A	
..2	M0027	BN96-04745A	ASSY STAND P-BASE;-,-,22,23,26S81,-,-,ABS+PM	1	S.A	
...3	T0081	6002-001294	SCREW-TAPPING;BH,+,-,M4,L16,ZPC(BLK)	4	S.A	
...3	M0081	6003-001239	SCREW-TAPTITE;FH,+,-,B,M4,L10,ZPC(WHT),S	4	S.A	
...3	T0920	BN61-03024A	GUIDE-STAND;JASMINE 26,ABS,-,-,-,BK500,V	1	S.N.A	
...3	B/STAND	BN61-03028A	BRACKET-STAND BOTTOM;JASMINE 26",SECC,T1	1	S.N.A	
...3	CCM1	BN63-02183D	COVER-SHEET;Rhcm,PE Vinyl,T0.05,680mm,20	0.4	S.N.A	
...3	T0004	BN63-03178A	COVER-STAND BASE;JASMINE 26",ABS+PMMA,HB	1	S.N.A	
...3	T0132	BN73-00052A	RUBBER FOOT;ARES 17,CR Rubber Gray,T1.5	4	S.N.A	
..2	T0524	6902-000520	BAG PE;HDPE/NITRON(DOUBLE),T0.015/T0.5(D	1	S.N.A	

5. Exploded View & Part List

Level	Location No.	Code No.	Description & Specification	Q'ty	SA/SNA	Remark
0.1	T0852	BN91-01180K	ASSY LCD-CMO;LE26R32BX/*	1	S.N.A	
.2	M0215	BN07-00364A	LCD-PANEL;V260B1-L04,6bit+FRC,26inch,16.	1	S.A	
0.1	M0112	BN91-02142A	ASSY SHIELD;LN26A330J1DXZA	1	S.N.A	
.2	M0081	6003-000115	SCREW-TAPTITE;BH,+,B,M3,L6,ZPC(BLK),SWRC	4	S.A	
.2	M0081	6003-000115	SCREW-TAPTITE;BH,+,B,M3,L6,ZPC(BLK),SWRC	4	S.A	
.2	M0081	6003-000337	SCREW-TAPTITE;BH,+,S,M4,L10,ZPC(BLK),SWR	2	S.A	
.2	M0081	6003-000337	SCREW-TAPTITE;BH,+,S,M4,L10,ZPC(BLK),SWR	2	S.A	
.2	M0081	6003-001188	SCREW-TAPTITE;BH,+,-,B,M4,L10,ZPC(WHT),S	2	S.N.A	
.2	M0081	6003-001188	SCREW-TAPTITE;BH,+,-,B,M4,L10,ZPC(WHT),S	4	S.N.A	
.2	M0081	6003-001188	SCREW-TAPTITE;BH,+,-,B,M4,L10,ZPC(WHT),S	4	S.N.A	
.2	M0081	6003-001188	SCREW-TAPTITE;BH,+,-,B,M4,L10,ZPC(WHT),S	2	S.N.A	
.2	M0081	6003-001439	SCREW-TAPTITE;BH,+,-,S,M4,L8,ZPC(WHT),SW	1	S.N.A	
.2	M0081	6003-001439	SCREW-TAPTITE;BH,+,-,S,M4,L8,ZPC(WHT),SW	1	S.N.A	
.2	M2893	BH39-00362G	LEAD CONNECTOR;SONOMA,UL1007#26,5PIN,100	1	S.A	
.2	M2893	BN39-00603B	LEAD CONNECTOR;RE32**,UL1007#26,14P,200m	1	S.A	
.2	T0076	BN39-00615D	CBF HARNESS;BORDEAUX,1617#22,3P,1P,RING,	1	S.A	
.2	M2893	BN39-00802A	LEAD CONNECTOR;LE32R86BDX,UL1007#26,UL/C	1	S.A	
.2	M0114	BN61-02500A	HOLDER-WIRE;NYLON6.6,NATURAL	2	S.N.A	
.2	M0115	BN61-02931A	BRACKET-STAND LINK;JASMINE 26,SECC,T1.6	1	S.A	
.2	M0254	BN61-03972A	HOLDER-SIDE AV;L330,HIPS,V0,-,-,BK500,	1	S.N.A	
.2	M0214	BN96-07158G	ASSY CABLE P-FLAT;CORAL,FFC CABLE,35*270	1	S.A	
.2	T0764	BN44-00192B	SMPS-LCDTV;MK32P3,DYREL,AC/DC,180W,AC100	1	S.A	
.2	M0146	BN61-02207A	BRACKET-PANEL SIDE;Bordeaux 26,SECC,T1.2	4	S.N.A	
.2	T0447	BN96-04682K	ASSY BRACKET P-PANEL;26L330,UO,NEW CMO	1	S.N.A	
...3	M0081	6003-000115	SCREW-TAPTITE;BH,+,B,M3,L6,ZPC(BLK),SWRC	3	S.A	
...3	M0081	6003-000115	SCREW-TAPTITE;BH,+,B,M3,L6,ZPC(BLK),SWRC	3	S.A	
...3	M0146	BN61-02205B	BRACKET-PANEL TOP;Bordeaux 26,SECC,T1.2	1	S.N.A	
...3		BN61-02210A	BRACKET-GUIDE POWER;Bordeaux 26,SECC,T1.	1	S.N.A	
...3		BN61-02966A	BRACKET-GUIDE POWER;23 BORDEAUX PLUS,SEC	1	S.N.A	
...3		BN61-02973B	BRACKET-PANEL BOTTOM;26R81,SECC,T1.2,AUO	1	S.N.A	
...3		BN61-02976A	BRACKET-GUIDE MAIN;26 BORDEAUX PLUS,SECC	1	S.N.A	
...3	M0131	BN63-02950A	GASKET;LE32M73BDX,Conductive Fabric,300m	1	S.N.A	
...3	M0131	BN63-02958A	GASKET;LE32M71BX,Conductive Fabric,10mm,	1	S.N.A	
0.1	M0017	BN91-02146B	ASSY CHASSIS;LN26A330J1DXZA	1	S.N.A	
.2	M0014	BN94-01724B	ASSY PCB MAIN;LN26A330J1DXZA	1	S.A	
...3	T0245	0202-001608	SOLDER-WIRE FLUX;LFC7-107,D0.8,99.3Sn/0.	0.25	S.N.A	
...3	JA7003	3701-001400	CONNECTOR-DSUB;15P,3R,FEMALE,STRAIGHT,Ni	1	S.A	
...3	CN906	3707-001081	CONNECTOR-OPTICAL;STRAIGHT,SPDIF	1	S.A	
...3	CN330	3711-000058	HEADER-BOARD TO CABLE;BOX,4P,1R,2.5MM,AN	1	S.A	
...3	CN330	3711-004484	HEADER-BOARD TO CABLE;BOX,5P,1R,2mm,STRA	1	S.A	
...3	CN330	3711-004531	HEADER-BOARD TO CABLE;BOX,10P,1R,2mm,ANG	1	S.A	
...3	CN330	3711-005842	HEADER-BOARD TO CABLE;BOX,24P,2R,2MM,STR	1	S.A	
...3	JA330	3722-001061	JACK-PHONE;1P,3.6PI,AG,BLK,N	1	S.A	
...3	JA7004	3722-002516	JACK-USB;4P/1C,AU30U,BLK,STRAIGHT,A TYPE	1	S.A	
...3	JA333	3722-002684	JACK-PIN;14P+1P PHONE,NI,BLACK,STRAIGHT	1	S.A	
...3	CIS3	AA40-00177A	TUNER;TDQU6-K01A,TDQU6-K01A,NTSC/ATSC,18	1	S.A	
...3	M0107	BN63-01847A	SHIELD-COVER;ROME,SPT,TO.3,49.5,79.5,HE	1	S.N.A	
...3	CCMM1	BN73-00024D	SILICON/RUBBER;BORDEAUX,SILICON,28x28XT6	1	S.N.A	
...3	A/HDCP	BN97-00688B	ASSY HDCP;MT8202 IC HDCP Key'	1	S.N.A	

5. Exploded View & Part List

Level	Location No.	Code No.	Description & Specification	Q'ty	SA/SNA	Remark
....4		BN46-00018A	KEY CODE-CERTIFICATE;(HDCP KEY)PPM42M5S,	1	S.N.A	
...3	T0174	BN97-02111B	ASSY SMD;LN26A330J1DXZA	1	S.N.A	
....4	SUB05	0202-001477	SOLDER-CREAM;LST309-M,-,D20~45##,96.5Sn/	2.161	S.N.A	
....4	D1011	0401-000133	DIODE-SWITCHING;RLS4148,75V,150mA,LL-34,	1	S.A	
....4	D9005	0401-000133	DIODE-SWITCHING;RLS4148,75V,150mA,LL-34,	1	S.A	
....4	D2002	0401-001056	DIODE-SWITCHING;MMBD4148SE,100V,200mA,SO	1	S.A	
....4	D2003	0401-001056	DIODE-SWITCHING;MMBD4148SE,100V,200mA,SO	1	S.A	
....4	D2004	0401-001056	DIODE-SWITCHING;MMBD4148SE,100V,200mA,SO	1	S.A	
....4	D2006	0401-001056	DIODE-SWITCHING;MMBD4148SE,100V,200mA,SO	1	S.A	
....4	D2008	0401-001056	DIODE-SWITCHING;MMBD4148SE,100V,200mA,SO	1	S.A	
....4	D5001	0401-001056	DIODE-SWITCHING;MMBD4148SE,100V,200mA,SO	1	S.A	
....4	D7002	0401-001056	DIODE-SWITCHING;MMBD4148SE,100V,200mA,SO	1	S.A	
....4	D7005	0401-001056	DIODE-SWITCHING;MMBD4148SE,100V,200mA,SO	1	S.A	
....4	D7011	0401-001056	DIODE-SWITCHING;MMBD4148SE,100V,200mA,SO	1	S.A	
....4	D7012	0401-001056	DIODE-SWITCHING;MMBD4148SE,100V,200mA,SO	1	S.A	
....4	D7013	0401-001056	DIODE-SWITCHING;MMBD4148SE,100V,200mA,SO	1	S.A	
....4	D7023	0401-001056	DIODE-SWITCHING;MMBD4148SE,100V,200mA,SO	1	S.A	
....4	D7025	0401-001056	DIODE-SWITCHING;MMBD4148SE,100V,200mA,SO	1	S.A	
....4	D1004	0401-001099	DIODE-SWITCHING;1N4148WS,75V,150mA,SOD-3	1	S.A	
....4	D1005	0401-001099	DIODE-SWITCHING;1N4148WS,75V,150mA,SOD-3	1	S.A	
....4	D1007L	0401-001099	DIODE-SWITCHING;1N4148WS,75V,150mA,SOD-3	1	S.A	
....4	D1008	0401-001099	DIODE-SWITCHING;1N4148WS,75V,150mA,SOD-3	1	S.A	
....4	D1009	0401-001099	DIODE-SWITCHING;1N4148WS,75V,150mA,SOD-3	1	S.A	
....4	D1010	0401-001099	DIODE-SWITCHING;1N4148WS,75V,150mA,SOD-3	1	S.A	
....4	D9004	0401-001099	DIODE-SWITCHING;1N4148WS,75V,150mA,SOD-3	1	S.A	
....4	D0254	0402-000553	DIODE-SCHOTTKY;SS24/B240,40V,2000mA,DO-2	1	S.A	
....4	D0254	0402-000553	DIODE-SCHOTTKY;SS24/B240,40V,2000mA,DO-2	1	S.A	
....4	D0254	0402-001207	DIODE-SCHOTTKY;UPS5819,40V,1000MA,DO-216	1	S.A	
....4	D1006	0403-000002	DIODE-ZENER;VLZ5V6B,5.45/5.73V,500mW,SOD	1	S.A	
....4	D7017	0403-000771	DIODE-ZENER;VLZ6V2B,5.96-6.27V,500mW,SOD	1	S.A	
....4	D7018	0403-000771	DIODE-ZENER;VLZ6V2B,5.96-6.27V,500mW,SOD	1	S.A	
....4	D7050	0403-000771	DIODE-ZENER;VLZ6V2B,5.96-6.27V,500mW,SOD	1	S.A	
....4	D6002	0403-001052	DIODE-ZENER;RD8.2MB,7.7-8.7V,200mW,SOT-2	1	S.A	
....4	D6003	0403-001052	DIODE-ZENER;RD8.2MB,7.7-8.7V,200mW,SOT-2	1	S.A	
....4	D6004	0403-001052	DIODE-ZENER;RD8.2MB,7.7-8.7V,200mW,SOT-2	1	S.A	
....4	D6005	0403-001052	DIODE-ZENER;RD8.2MB,7.7-8.7V,200mW,SOT-2	1	S.A	
....4	D6007	0403-001052	DIODE-ZENER;RD8.2MB,7.7-8.7V,200mW,SOT-2	1	S.A	
....4	D6008	0403-001052	DIODE-ZENER;RD8.2MB,7.7-8.7V,200mW,SOT-2	1	S.A	
....4	D6013	0403-001052	DIODE-ZENER;RD8.2MB,7.7-8.7V,200mW,SOT-2	1	S.A	
....4	D6014	0403-001052	DIODE-ZENER;RD8.2MB,7.7-8.7V,200mW,SOT-2	1	S.A	
....4	D6016	0403-001052	DIODE-ZENER;RD8.2MB,7.7-8.7V,200mW,SOT-2	1	S.A	
....4	D6017	0403-001052	DIODE-ZENER;RD8.2MB,7.7-8.7V,200mW,SOT-2	1	S.A	
....4	D6019	0403-001052	DIODE-ZENER;RD8.2MB,7.7-8.7V,200mW,SOT-2	1	S.A	
....4	D6020	0403-001052	DIODE-ZENER;RD8.2MB,7.7-8.7V,200mW,SOT-2	1	S.A	
....4	D7019	0403-001052	DIODE-ZENER;RD8.2MB,7.7-8.7V,200mW,SOT-2	1	S.A	
....4	D7021	0403-001052	DIODE-ZENER;RD8.2MB,7.7-8.7V,200mW,SOT-2	1	S.A	
....4	D7027	0403-001052	DIODE-ZENER;RD8.2MB,7.7-8.7V,200mW,SOT-2	1	S.A	
....4	D7028	0403-001052	DIODE-ZENER;RD8.2MB,7.7-8.7V,200mW,SOT-2	1	S.A	
....4	D7030	0403-001052	DIODE-ZENER;RD8.2MB,7.7-8.7V,200mW,SOT-2	1	S.A	
....4	D7032	0403-001052	DIODE-ZENER;RD8.2MB,7.7-8.7V,200mW,SOT-2	1	S.A	
....4	D7034	0403-001052	DIODE-ZENER;RD8.2MB,7.7-8.7V,200mW,SOT-2	1	S.A	

5. Exploded View & Part List

Level	Location No.	Code No.	Description & Specification	Q'ty	SA/SNA	Remark
...4	D5002	0403-001425	DIODE-ZENER;BZX84C33,31-35V,350mW,SOT-23	1	S.A	
...4	D6001	0406-001172	DIODE-TVS;CDS3C30GTH,48/-/50V,SMD	1	S.A	
...4	D6006	0406-001172	DIODE-TVS;CDS3C30GTH,48/-/50V,SMD	1	S.A	
...4	D6009	0406-001172	DIODE-TVS;CDS3C30GTH,48/-/50V,SMD	1	S.A	
...4	D6010	0406-001172	DIODE-TVS;CDS3C30GTH,48/-/50V,SMD	1	S.A	
...4	D6011	0406-001172	DIODE-TVS;CDS3C30GTH,48/-/50V,SMD	1	S.A	
...4	D6012	0406-001172	DIODE-TVS;CDS3C30GTH,48/-/50V,SMD	1	S.A	
...4	D6015	0406-001172	DIODE-TVS;CDS3C30GTH,48/-/50V,SMD	1	S.A	
...4	D6018	0406-001172	DIODE-TVS;CDS3C30GTH,48/-/50V,SMD	1	S.A	
...4	D6021	0406-001172	DIODE-TVS;CDS3C30GTH,48/-/50V,SMD	1	S.A	
...4	D6022	0406-001172	DIODE-TVS;CDS3C30GTH,48/-/50V,SMD	1	S.A	
...4	D6023	0406-001172	DIODE-TVS;CDS3C30GTH,48/-/50V,SMD	1	S.A	
...4	D6024	0406-001172	DIODE-TVS;CDS3C30GTH,48/-/50V,SMD	1	S.A	
...4	D6025	0406-001172	DIODE-TVS;CDS3C30GTH,48/-/50V,SMD	1	S.A	
...4	D7001	0406-001172	DIODE-TVS;CDS3C30GTH,48/-/50V,SMD	1	S.A	
...4	D7003	0406-001172	DIODE-TVS;CDS3C30GTH,48/-/50V,SMD	1	S.A	
...4	D7010	0406-001172	DIODE-TVS;CDS3C30GTH,48/-/50V,SMD	1	S.A	
...4	D7024	0406-001172	DIODE-TVS;CDS3C30GTH,48/-/50V,SMD	1	S.A	
...4	D7041	0406-001172	DIODE-TVS;CDS3C30GTH,48/-/50V,SMD	1	S.A	
...4	D7042	0406-001172	DIODE-TVS;CDS3C30GTH,48/-/50V,SMD	1	S.A	
...4	D7014	0406-001200	DIODE-TVS;RCLAMP0504F,6/-/V,150W,SC-70	1	S.A	
...4	D7051	0406-001271	DIODE-TVS;RCLAMP0524P,6/-/V,150W,SLP251	1	S.A	
...4	D7052	0406-001271	DIODE-TVS;RCLAMP0524P,6/-/V,150W,SLP251	1	S.A	
...4	D7053	0406-001271	DIODE-TVS;RCLAMP0524P,6/-/V,150W,SLP251	1	S.A	
...4	D7054	0406-001271	DIODE-TVS;RCLAMP0524P,6/-/V,150W,SLP251	1	S.A	
...4	D7038	0407-000123	DIODE-ARRAY;DAN202K,80V,100mA,CA2-3,SOT-	1	S.A	
...4	D7039	0407-000123	DIODE-ARRAY;DAN202K,80V,100mA,CA2-3,SOT-	1	S.A	
...4	Q1000	0501-000434	TR-SMALL SIGNAL;KTC3875S-GR,NPN,150mW,SO	1	S.A	
...4	Q9004	0501-000434	TR-SMALL SIGNAL;KTC3875S-GR,NPN,150mW,SO	1	S.A	
...4	Q9005	0501-000434	TR-SMALL SIGNAL;KTC3875S-GR,NPN,150mW,SO	1	S.A	
...4	Q2003	0501-000445	TR-SMALL SIGNAL;KTC3875S-Y,NPN,150mW,SOT	1	S.A	
...4	Q3001L	0501-000445	TR-SMALL SIGNAL;KTC3875S-Y,NPN,150mW,SOT	1	S.A	
...4	Q5001	0501-000445	TR-SMALL SIGNAL;KTC3875S-Y,NPN,150mW,SOT	1	S.A	
...4	Q7003	0501-000445	TR-SMALL SIGNAL;KTC3875S-Y,NPN,150mW,SOT	1	S.A	
...4	Q7004	0501-000445	TR-SMALL SIGNAL;KTC3875S-Y,NPN,150mW,SOT	1	S.A	
...4	Q9002	0501-000669	TR-SMALL SIGNAL;KTA1505Y,PNP,150mW,SOT-2	1	S.A	
...4	Q1002L	0501-002080	TR-SMALL SIGNAL;2SC2412K,NPN,200mW,SC-59	1	S.A	
...4	Q1003L	0501-002080	TR-SMALL SIGNAL;2SC2412K,NPN,200mW,SC-59	1	S.A	
...4	Q2005	0504-000129	TR-DIGITAL;KSR1104,NPN,200mW,47K/47K,SOT	1	S.A	
...4	Q409	0505-000110	FET-SILICON;2N7002,N,60V,115mA,7.5ohm,0.	1	S.A	
...4	Q409	0505-000110	FET-SILICON;2N7002,N,60V,115mA,7.5ohm,0.	1	S.A	
...4	Q409	0505-000110	FET-SILICON;2N7002,N,60V,115mA,7.5ohm,0.	1	S.A	
...4	Q409	0505-001165	FET-SILICON;SI3443BDV,P,-20V,+4.4A,65mo	1	S.A	
...4	IC104	0801-002633	IC-CMOS LOGIC;7WBD3125,2bit BUS SWITCH,S	1	S.A	
...4	IC104	0801-002633	IC-CMOS LOGIC;7WBD3125,2bit BUS SWITCH,S	1	S.A	
...4	IC2003	0904-001862	IC-I/O SUPPORT CHIP;PCF8574ATS,8Bit,SSOP	1	S.A	
...4	IC6003	1001-000164	IC-ANALOG MULTIPLEX;74HC4052,CMOS,SOP,16	1	S.A	
...4	IC106	1001-001082	IC-VIDEO SWITCH;BA7657F,-,SOP,24P,300MIL	1	S.A	
...4	IC106	1001-001513	IC-VIDEO SWITCH;TMDS351PAG,TQFP,64P,9x9m	1	S.A	
...4	IC6001	1006-001266	IC-LINE TRANSCEIVER;SP3232EEY,TSSOP,16P,	1	S.A	
...4	IC112	1103-000129	IC-EEPROM;24C02,2Kbit,256x8Bit,SOP,8P,5x	1	S.A	

5. Exploded View & Part List

Level	Location No.	Code No.	Description & Specification	Q'ty	SA/SNA	Remark
...4	IC112	1103-000129	IC-EEPROM;24C02,2Kbit,256x8Bit,SOP,8P,5x	1	S.A	
...4	IC112	1103-000129	IC-EEPROM;24C02,2Kbit,256x8Bit,SOP,8P,5x	1	S.A	
...4	IC112	1103-001406	IC-EEPROM;AT24C512BN-SH25-T,512Kbit,64Kx	1	S.A	
...4	IC201C	1105-001838	IC-DDR SDRAM;EM6A9160TS0A-5G,DDR SDRAM,1	1	S.A	
...4	IC202C	1105-001838	IC-DDR SDRAM;EM6A9160TS0A-5G,DDR SDRAM,1	1	S.A	
...4	DU410	1201-000166	IC-OP AMP;LM358,SOP,ST,8P,150MIL,DUAL,10	1	S.A	
...4	DU410	1201-000541	IC-OP AMP;062,SOP,8P,153MIL,DUAL,6V/mV,P	1	S.A	
...4	T0085	1201-002487	IC-AUDIO AMP;MAX9728A,QFN,12P,3x3mm,DUAL	1	S.A	
...4	T0124	1201-002678	IC-POWER AMP;STA335BWS,PSSO,36P,10.3x7.5	1	S.A	
...4	IC012	1203-001195	IC-POS1.ADJUST REG.;1587,TO-263,3P,393MI	1	S.A	
...4	IC012	1203-001195	IC-POS1.ADJUST REG.;1587,TO-263,3P,393MI	1	S.A	
...4	T0087	1203-001815	IC-POS1.FIXED REG.;78M09,TO-252,3P,-,PLA	1	S.A	
...4	T0087	1203-002835	IC-POS1.FIXED REG.;KIA7805AF,DPAK,3P,6.6	1	S.A	
...4	T0087	1203-002842	IC-POS1.FIXED REG.;AP1117D-33A,TO-252,3P	1	S.A	
...4	IC012	1203-002995	IC-POS1.ADJUST REG.;AP1117D-A,TO-252,3P,	1	S.A	
...4	IC012	1203-002995	IC-POS1.ADJUST REG.;AP1117D-A,TO-252,3P,	1	S.A	
...4	T0087	1203-003121	IC-POS1.FIXED REG.;FAN1112,SOT-223,3P,6.	1	S.A	
...4	IC1005	1203-004364	IC-VOL. DETECTOR;RT9818C-42PV,SOT-23,3P,	1	S.A	
...4	IC1007	1203-004364	IC-VOL. DETECTOR;RT9818C-42PV,SOT-23,3P,	1	S.A	
...4	IC118	1204-002779	IC-VIDEO PROCESS;S4LF122X01,PBGA,208P,17	1	S.A	
...4	IC5002	1204-002818	IC-DEMODULATOR;S5H1411,-,100P,14x14mm,PL	1	S.A	
...4	IC3001	1204-002834	IC-DECODER;SEMS10-LF,LQFP,256P,28x28mm,P	1	S.A	
...4	R110	2007-000041	R-CHIP;475ohm,1%,1/10W,TP,1608	1	S.A	
...4	R110	2007-000041	R-CHIP;475ohm,1%,1/10W,TP,1608	1	S.A	
...4	R110	2007-000052	R-CHIP;10Kohm,1%,1/10W,TP,1608	1	S.A	
...4	R110	2007-000072	R-CHIP;47ohm,5%,1/10W,TP,1608	1	S.A	
...4	R110	2007-000072	R-CHIP;47ohm,5%,1/10W,TP,1608	1	S.A	
...4	R110	2007-000072	R-CHIP;47ohm,5%,1/10W,TP,1608	1	S.A	
...4	R110	2007-000072	R-CHIP;47ohm,5%,1/10W,TP,1608	1	S.A	
...4	R110	2007-000138	R-CHIP;100ohm,5%,1/16W,TP,1005	1	S.N.A	
...4	R110	2007-000138	R-CHIP;100ohm,5%,1/16W,TP,1005	1	S.N.A	
...4	R110	2007-000138	R-CHIP;100ohm,5%,1/16W,TP,1005	1	S.N.A	
...4	R110	2007-000138	R-CHIP;100ohm,5%,1/16W,TP,1005	1	S.N.A	
...4	R110	2007-000138	R-CHIP;100ohm,5%,1/16W,TP,1005	1	S.N.A	
...4	R110	2007-000138	R-CHIP;100ohm,5%,1/16W,TP,1005	1	S.N.A	
...4	R110	2007-000138	R-CHIP;100ohm,5%,1/16W,TP,1005	1	S.N.A	
...4	R110	2007-000138	R-CHIP;100ohm,5%,1/16W,TP,1005	1	S.N.A	
...4	R110	2007-000138	R-CHIP;100ohm,5%,1/16W,TP,1005	1	S.N.A	
...4	R110	2007-000138	R-CHIP;100ohm,5%,1/16W,TP,1005	1	S.N.A	
...4	R110	2007-000138	R-CHIP;100ohm,5%,1/16W,TP,1005	1	S.N.A	
...4	R110	2007-000138	R-CHIP;100ohm,5%,1/16W,TP,1005	1	S.N.A	
...4	R110	2007-000138	R-CHIP;100ohm,5%,1/16W,TP,1005	1	S.N.A	
...4	R110	2007-000138	R-CHIP;100ohm,5%,1/16W,TP,1005	1	S.N.A	
...4	R110	2007-000138	R-CHIP;100ohm,5%,1/16W,TP,1005	1	S.N.A	
...4	R110	2007-000138	R-CHIP;100ohm,5%,1/16W,TP,1005	1	S.N.A	
...4	R110	2007-000138	R-CHIP;100ohm,5%,1/16W,TP,1005	1	S.N.A	
...4	R110	2007-000138	R-CHIP;100ohm,5%,1/16W,TP,1005	1	S.N.A	
...4	R110	2007-000138	R-CHIP;100ohm,5%,1/16W,TP,1005	1	S.N.A	
...4	R110	2007-000138	R-CHIP;100ohm,5%,1/16W,TP,1005	1	S.N.A	
...4	R110	2007-000138	R-CHIP;100ohm,5%,1/16W,TP,1005	1	S.N.A	
...4	R110	2007-000138	R-CHIP;100ohm,5%,1/16W,TP,1005	1	S.N.A	

5. Exploded View & Part List

Level	Location No.	Code No.	Description & Specification	Q'ty	SA/SNA	Remark
...4	R110	2007-007318	R-CHIP;1Kohm,1%,1/16W,TP,1005	1	S.N.A	
...4	R110	2007-007318	R-CHIP;1Kohm,1%,1/16W,TP,1005	1	S.N.A	
...4	R110	2007-007334	R-CHIP;200Kohm,1%,1/16W,TP,1005	1	S.N.A	
...4	R110	2007-008015	R-CHIP;75ohm,1%,1/16W,TP,1005	1	S.N.A	
...4	R110	2007-008015	R-CHIP;75ohm,1%,1/16W,TP,1005	1	S.N.A	
...4	R110	2007-008015	R-CHIP;75ohm,1%,1/16W,TP,1005	1	S.N.A	
...4	R110	2007-008015	R-CHIP;75ohm,1%,1/16W,TP,1005	1	S.N.A	
...4	R110	2007-008015	R-CHIP;75ohm,1%,1/16W,TP,1005	1	S.N.A	
...4	R110	2007-008015	R-CHIP;75ohm,1%,1/16W,TP,1005	1	S.N.A	
...4	R110	2007-008015	R-CHIP;75ohm,1%,1/16W,TP,1005	1	S.N.A	
...4	R110	2007-008015	R-CHIP;75ohm,1%,1/16W,TP,1005	1	S.N.A	
...4	R110	2007-008015	R-CHIP;75ohm,1%,1/16W,TP,1005	1	S.N.A	
...4	R110	2007-008015	R-CHIP;75ohm,1%,1/16W,TP,1005	1	S.N.A	
...4	R110	2007-008015	R-CHIP;75ohm,1%,1/16W,TP,1005	1	S.N.A	
...4	R110	2007-008015	R-CHIP;75ohm,1%,1/16W,TP,1005	1	S.N.A	
...4	R110	2007-008015	R-CHIP;75ohm,1%,1/16W,TP,1005	1	S.N.A	
...4	R110	2007-008015	R-CHIP;75ohm,1%,1/16W,TP,1005	1	S.N.A	
...4	R110	2007-008015	R-CHIP;75ohm,1%,1/16W,TP,1005	1	S.N.A	
...4	R110	2007-008015	R-CHIP;75ohm,1%,1/16W,TP,1005	1	S.N.A	
...4	R110	2007-008015	R-CHIP;75ohm,1%,1/16W,TP,1005	1	S.N.A	
...4	R110	2007-008015	R-CHIP;75ohm,1%,1/16W,TP,1005	1	S.N.A	
...4	R110	2007-008813	R-CHIP;909ohm,1%,1/16W,TP,1005	1	S.N.A	
...4	R110	2007-009853	R-CHIP;1.6Kohm,1%,1/16W,TP,1005	1	S.A	
...4	R2001	2011-001261	R-NETWORK;33ohm,5%,1/16W,L,CHIP,8P,TP,2.	1	S.A	
...4	R2002	2011-001261	R-NETWORK;33ohm,5%,1/16W,L,CHIP,8P,TP,2.	1	S.A	
...4	R2003	2011-001261	R-NETWORK;33ohm,5%,1/16W,L,CHIP,8P,TP,2.	1	S.A	
...4	R2004	2011-001261	R-NETWORK;33ohm,5%,1/16W,L,CHIP,8P,TP,2.	1	S.A	
...4	R2005	2011-001261	R-NETWORK;33ohm,5%,1/16W,L,CHIP,8P,TP,2.	1	S.A	
...4	R2006	2011-001261	R-NETWORK;33ohm,5%,1/16W,L,CHIP,8P,TP,2.	1	S.A	
...4	R2007	2011-001261	R-NETWORK;33ohm,5%,1/16W,L,CHIP,8P,TP,2.	1	S.A	
...4	R2008	2011-001261	R-NETWORK;33ohm,5%,1/16W,L,CHIP,8P,TP,2.	1	S.A	
...4	C120	2203-000125	C-CER,CHIP;1.2nF,10%,50V,X7R,TP,1608,-	1	S.A	
...4	C120	2203-000125	C-CER,CHIP;1.2nF,10%,50V,X7R,TP,1608,-	1	S.A	
...4	C120	2203-000125	C-CER,CHIP;1.2nF,10%,50V,X7R,TP,1608,-	1	S.A	
...4	C120	2203-000125	C-CER,CHIP;1.2nF,10%,50V,X7R,TP,1608,-	1	S.A	
...4	C120	2203-000125	C-CER,CHIP;1.2nF,10%,50V,X7R,TP,1608,-	1	S.A	
...4	C120	2203-000233	C-CER,CHIP;0.1nF,5%,50V,C0G,1005	1	S.A	
...4	C120	2203-000233	C-CER,CHIP;0.1nF,5%,50V,C0G,1005	1	S.A	
...4	C120	2203-000233	C-CER,CHIP;0.1nF,5%,50V,C0G,1005	1	S.A	
...4	C120	2203-000233	C-CER,CHIP;0.1nF,5%,50V,C0G,1005	1	S.A	
...4	C120	2203-000233	C-CER,CHIP;0.1nF,5%,50V,C0G,1005	1	S.A	
...4	C120	2203-000233	C-CER,CHIP;0.1nF,5%,50V,C0G,1005	1	S.A	
...4	C120	2203-000233	C-CER,CHIP;0.1nF,5%,50V,C0G,1005	1	S.A	
...4	C120	2203-000233	C-CER,CHIP;0.1nF,5%,50V,C0G,1005	1	S.A	
...4	C120	2203-000233	C-CER,CHIP;0.1nF,5%,50V,C0G,1005	1	S.A	
...4	C120	2203-000257	C-CER,CHIP;10nF,10%,50V,X7R,TP,1608	1	S.A	
...4	C120	2203-000257	C-CER,CHIP;10nF,10%,50V,X7R,TP,1608	1	S.A	
...4	C120	2203-000257	C-CER,CHIP;10nF,10%,50V,X7R,TP,1608	1	S.A	
...4	C120	2203-000257	C-CER,CHIP;10nF,10%,50V,X7R,TP,1608	1	S.A	
...4	C120	2203-000257	C-CER,CHIP;10nF,10%,50V,X7R,TP,1608	1	S.A	
...4	C120	2203-000257	C-CER,CHIP;10nF,10%,50V,X7R,TP,1608	1	S.A	
...4	C120	2203-000257	C-CER,CHIP;10nF,10%,50V,X7R,TP,1608	1	S.A	
...4	C120	2203-000257	C-CER,CHIP;10nF,10%,50V,X7R,TP,1608	1	S.A	
...4	C120	2203-000257	C-CER,CHIP;10nF,10%,50V,X7R,TP,1608	1	S.A	
...4	C120	2203-000257	C-CER,CHIP;10nF,10%,50V,X7R,TP,1608	1	S.A	
...4	C120	2203-000257	C-CER,CHIP;10nF,10%,50V,X7R,TP,1608	1	S.A	

5. Exploded View & Part List

Level	Location No.	Code No.	Description & Specification	Q'ty	SA/SNA	Remark
...4	C120	2203-000783	C-CER,CHIP;0.33nF,5%,50V,C0G,1608	1	S.A	
...4	C120	2203-000783	C-CER,CHIP;0.33nF,5%,50V,C0G,1608	1	S.A	
...4	C120	2203-000783	C-CER,CHIP;0.33nF,5%,50V,C0G,1608	1	S.A	
...4	C120	2203-000851	C-CER,CHIP;0.039nF,5%,50V,C0G,1608	1	S.A	
...4	C120	2203-000851	C-CER,CHIP;0.039nF,5%,50V,C0G,1608	1	S.A	
...4	C120	2203-000888	C-CER,CHIP;4.7nF,10%,50V,X7R,1608	1	S.A	
...4	C120	2203-000888	C-CER,CHIP;4.7nF,10%,50V,X7R,1608	1	S.A	
...4	C120	2203-000975	C-CER,CHIP;47nF,10%,25V,X7R,TP,1608,-	1	S.A	
...4	C120	2203-000995	C-CER,CHIP;0.047nF,5%,50V,C0G,1005	1	S.A	
...4	C120	2203-001072	C-CER,CHIP;0.056nF,5%,50V,NP0,1005	1	S.A	
...4	C120	2203-001153	C-CER,CHIP;0.068nF,5%,50V,NP0,1005	1	S.A	
...4	C120	2203-001153	C-CER,CHIP;0.068nF,5%,50V,NP0,1005	1	S.A	
...4	C120	2203-001412	C-CER,CHIP;0.03nF,5%,50V,NP0,TP,1005	1	S.N.A	
...4	C120	2203-001412	C-CER,CHIP;0.03nF,5%,50V,NP0,TP,1005	1	S.N.A	
...4	C120	2203-001598	C-CER,CHIP;2200nF,+80-20%,16V,Y5V,2012	1	S.A	
...4	C120	2203-001598	C-CER,CHIP;2200nF,+80-20%,16V,Y5V,2012	1	S.A	
...4	C120	2203-001598	C-CER,CHIP;2200nF,+80-20%,16V,Y5V,2012	1	S.A	
...4	C120	2203-001598	C-CER,CHIP;2200nF,+80-20%,16V,Y5V,2012	1	S.A	
...4	C120	2203-001598	C-CER,CHIP;2200nF,+80-20%,16V,Y5V,2012	1	S.A	
...4	C120	2203-001598	C-CER,CHIP;2200nF,+80-20%,16V,Y5V,2012	1	S.A	
...4	C120	2203-001598	C-CER,CHIP;2200nF,+80-20%,16V,Y5V,2012	1	S.A	
...4	C120	2203-001598	C-CER,CHIP;2200nF,+80-20%,16V,Y5V,2012	1	S.A	
...4	C120	2203-001598	C-CER,CHIP;2200nF,+80-20%,16V,Y5V,2012	1	S.A	
...4	C120	2203-002525	C-CER,CHIP;0.56nF,10%,50V,X7R,TP,1005	1	S.N.A	
...4	C120	2203-002525	C-CER,CHIP;0.56nF,10%,50V,X7R,TP,1005	1	S.N.A	
...4	C120	2203-002525	C-CER,CHIP;0.56nF,10%,50V,X7R,TP,1005	1	S.N.A	
...4	C120	2203-002525	C-CER,CHIP;0.56nF,10%,50V,X7R,TP,1005	1	S.N.A	
...4	C120	2203-005221	C-CER,CHIP;15nF,10%,50V,X7R,1608	1	S.A	
...4	C120	2203-005221	C-CER,CHIP;15nF,10%,50V,X7R,1608	1	S.A	
...4	C120	2203-005249	C-CER,CHIP;100nF,10%,50V,X7R,1608	1	S.A	
...4	C120	2203-005249	C-CER,CHIP;100nF,10%,50V,X7R,1608	1	S.A	
...4	C120	2203-005249	C-CER,CHIP;100nF,10%,50V,X7R,1608	1	S.A	
...4	C120	2203-005249	C-CER,CHIP;100nF,10%,50V,X7R,1608	1	S.A	
...4	C120	2203-005249	C-CER,CHIP;100nF,10%,50V,X7R,1608	1	S.A	
...4	C120	2203-005249	C-CER,CHIP;100nF,10%,50V,X7R,1608	1	S.A	
...4	C120	2203-005249	C-CER,CHIP;100nF,10%,50V,X7R,1608	1	S.A	
...4	C120	2203-005249	C-CER,CHIP;100nF,10%,50V,X7R,1608	1	S.A	
...4	C120	2203-005249	C-CER,CHIP;100nF,10%,50V,X7R,1608	1	S.A	
...4	C120	2203-005249	C-CER,CHIP;100nF,10%,50V,X7R,1608	1	S.A	
...4	C120	2203-005249	C-CER,CHIP;100nF,10%,50V,X7R,1608	1	S.A	
...4	C120	2203-005249	C-CER,CHIP;100nF,10%,50V,X7R,1608	1	S.A	
...4	C120	2203-005249	C-CER,CHIP;100nF,10%,50V,X7R,1608	1	S.A	
...4	C120	2203-005249	C-CER,CHIP;100nF,10%,50V,X7R,1608	1	S.A	
...4	C120	2203-005249	C-CER,CHIP;100nF,10%,50V,X7R,1608	1	S.A	
...4	C120	2203-005249	C-CER,CHIP;100nF,10%,50V,X7R,1608	1	S.A	
...4	C120	2203-005249	C-CER,CHIP;100nF,10%,50V,X7R,1608	1	S.A	
...4	C120	2203-005249	C-CER,CHIP;100nF,10%,50V,X7R,1608	1	S.A	
...4	C120	2203-005249	C-CER,CHIP;100nF,10%,50V,X7R,1608	1	S.A	
...4	C120	2203-005249	C-CER,CHIP;100nF,10%,50V,X7R,1608	1	S.A	
...4	C120	2203-005249	C-CER,CHIP;100nF,10%,50V,X7R,1608	1	S.A	
...4	C120	2203-005642	C-CER,CHIP;0.22nF,5%,50V,NP0,1005	1	S.N.A	
...4	C120	2203-005642	C-CER,CHIP;0.22nF,5%,50V,NP0,1005	1	S.N.A	

5. Exploded View & Part List

Level	Location No.	Code No.	Description & Specification	Q'ty	SA/SNA	Remark
....4	C120	2203-006361	C-CER,CHIP;1000nF,10%,10V,X5R,2012	1	S.A	
....4	C120	2203-006361	C-CER,CHIP;1000nF,10%,10V,X5R,2012	1	S.A	
....4	C120	2203-006361	C-CER,CHIP;1000nF,10%,10V,X5R,2012	1	S.A	
....4	C120	2203-006361	C-CER,CHIP;1000nF,10%,10V,X5R,2012	1	S.A	
....4	C120	2203-006361	C-CER,CHIP;1000nF,10%,10V,X5R,2012	1	S.A	
....4	C120	2203-006361	C-CER,CHIP;1000nF,10%,10V,X5R,2012	1	S.A	
....4	C120	2203-006361	C-CER,CHIP;1000nF,10%,10V,X5R,2012	1	S.A	
....4	C120	2203-006361	C-CER,CHIP;1000nF,10%,10V,X5R,2012	1	S.A	
....4	C120	2203-006361	C-CER,CHIP;1000nF,10%,10V,X5R,2012	1	S.A	
....4	C120	2203-006361	C-CER,CHIP;1000nF,10%,10V,X5R,2012	1	S.A	
....4	C120	2203-006399	C-CER,CHIP;1000nF,10%,6.3V,X5R,1005	1	S.A	
....4	C120	2203-006399	C-CER,CHIP;1000nF,10%,6.3V,X5R,1005	1	S.A	
....4	C120	2203-006399	C-CER,CHIP;1000nF,10%,6.3V,X5R,1005	1	S.A	
....4	C120	2203-006399	C-CER,CHIP;1000nF,10%,6.3V,X5R,1005	1	S.A	
....4	C120	2203-006399	C-CER,CHIP;1000nF,10%,6.3V,X5R,1005	1	S.A	
....4	C120	2203-006399	C-CER,CHIP;1000nF,10%,6.3V,X5R,1005	1	S.A	
....4	C120	2203-006399	C-CER,CHIP;1000nF,10%,6.3V,X5R,1005	1	S.A	
....4	C120	2203-006399	C-CER,CHIP;1000nF,10%,6.3V,X5R,1005	1	S.A	
....4	C120	2203-006399	C-CER,CHIP;1000nF,10%,6.3V,X5R,1005	1	S.A	
....4	C120	2203-007176	C-CER,CHIP;1000nF,10%,16V,X5R,TP,2012 (1	S.N.A	
....4	C120	2203-007176	C-CER,CHIP;1000nF,10%,16V,X5R,TP,2012 (1	S.N.A	
....4	C9014	2402-001323	C-AL,SMD;100##F,20,25V,LZ,TP,6.3X8mm	1	S.A	
....4	C9017	2402-001323	C-AL,SMD;100##F,20,25V,LZ,TP,6.3X8mm	1	S.A	
....4	C1086	2409-001129	C-POLYMER ,CHIP;100uF,20%,6.3V,WT,TP,3.5	1	S.A	
....4	T0052	2703-000158	INDUCTOR-SMD;1uH,10%,2012	1	S.A	
....4	T0052	2703-000158	INDUCTOR-SMD;1uH,10%,2012	1	S.A	
....4	T0052	2703-000158	INDUCTOR-SMD;1uH,10%,2012	1	S.A	
....4	T0052	2703-000158	INDUCTOR-SMD;1uH,10%,2012	1	S.A	
....4	T0052	2703-000398	INDUCTOR-SMD;10uH,10%,3225	1	S.A	
....4	T0052	2703-000398	INDUCTOR-SMD;10uH,10%,3225	1	S.A	
....4	T0052	2703-000398	INDUCTOR-SMD;10uH,10%,3225	1	S.A	
....4	T0052	2703-000398	INDUCTOR-SMD;10uH,10%,3225	1	S.A	
....4	T0052	2703-000398	INDUCTOR-SMD;10uH,10%,3225	1	S.A	
....4	T0052	2703-000398	INDUCTOR-SMD;10uH,10%,3225	1	S.A	
....4	T0052	2703-000398	INDUCTOR-SMD;10uH,10%,3225	1	S.A	
....4	T0052	2703-000398	INDUCTOR-SMD;10uH,10%,3225	1	S.A	
....4	T0052	2703-000398	INDUCTOR-SMD;10uH,10%,3225	1	S.A	
....4	T0052	2703-000398	INDUCTOR-SMD;10uH,10%,3225	1	S.A	
....4	T0052	2703-000417	INDUCTOR-SMD;220uH,5%,3225	1	S.A	
....4	T0052	2703-001426	INDUCTOR-SMD;680uH,20%,7070	1	S.A	
....4	L9001	2704-000018	INDUCTOR-SMD-ARRAY;15uH,2000mA,2,0.124oh	1	S.N.A	
....4	L9002	2704-000018	INDUCTOR-SMD-ARRAY;15uH,2000mA,2,0.124oh	1	S.N.A	
....4	X202	2801-003773	CRYSTAL-SMD;12MHz,30ppm,28-AAN,20pF,50oh	1	S.A	
....4	X202	2801-004604	CRYSTAL-SMD;24.69MHz,30ppm,27pF,40ohm,TP	1	S.A	
....4	T0568	3301-000314	BEAD-SMD;120ohm,1.6x0.8x0.8mm,-,-,-	1	S.N.A	
....4	T0568	3301-000314	BEAD-SMD;120ohm,1.6x0.8x0.8mm,-,-,-	1	S.N.A	
....4	T0568	3301-001145	BEAD-SMD;60ohm,4516,TP,70ohm/45MHz,82ohm	1	S.N.A	
....4	T0568	3301-001145	BEAD-SMD;60ohm,4516,TP,70ohm/45MHz,82ohm	1	S.N.A	
....4	T0568	3301-001145	BEAD-SMD;60ohm,4516,TP,70ohm/45MHz,82ohm	1	S.N.A	
....4	T0568	3301-001145	BEAD-SMD;60ohm,4516,TP,70ohm/45MHz,82ohm	1	S.N.A	
....4	T0568	3301-001145	BEAD-SMD;60ohm,4516,TP,70ohm/45MHz,82ohm	1	S.N.A	
....4	T0568	3301-001145	BEAD-SMD;60ohm,4516,TP,70ohm/45MHz,82ohm	1	S.N.A	

5. Exploded View & Part List

Level	Location No.	Code No.	Description & Specification	Q'ty	SA/SNA	Remark
...4	T0568	3301-001145	BEAD-SMD;60ohm,4516,TP,70ohm/45MHz,82ohm	1	S.N.A	
...4	T0568	3301-001145	BEAD-SMD;60ohm,4516,TP,70ohm/45MHz,82ohm	1	S.N.A	
...4	T0568	3301-001145	BEAD-SMD;60ohm,4516,TP,70ohm/45MHz,82ohm	1	S.N.A	
...4	T0568	3301-001145	BEAD-SMD;60ohm,4516,TP,70ohm/45MHz,82ohm	1	S.N.A	
...4	T0568	3301-001145	BEAD-SMD;60ohm,4516,TP,70ohm/45MHz,82ohm	1	S.N.A	
...4	T0568	3301-001145	BEAD-SMD;60ohm,4516,TP,70ohm/45MHz,82ohm	1	S.N.A	
...4	T0568	3301-001145	BEAD-SMD;60ohm,4516,TP,70ohm/45MHz,82ohm	1	S.N.A	
...4	T0568	3301-001145	BEAD-SMD;60ohm,4516,TP,70ohm/45MHz,82ohm	1	S.N.A	
...4	T0568	3301-001145	BEAD-SMD;60ohm,4516,TP,70ohm/45MHz,82ohm	1	S.N.A	
...4	T0568	3301-001145	BEAD-SMD;60ohm,4516,TP,70ohm/45MHz,82ohm	1	S.N.A	
...4	T0568	3301-001145	BEAD-SMD;60ohm,4516,TP,70ohm/45MHz,82ohm	1	S.N.A	
...4	T0568	3301-001145	BEAD-SMD;60ohm,4516,TP,70ohm/45MHz,82ohm	1	S.N.A	
...4	T0568	3301-001236	BEAD-SMD;60ohm,1608,-,-,-	1	S.N.A	
...4	T0568	3301-001236	BEAD-SMD;60ohm,1608,-,-,-	1	S.N.A	
...4	T0568	3301-001236	BEAD-SMD;60ohm,1608,-,-,-	1	S.N.A	
...4	T0568	3301-001236	BEAD-SMD;60ohm,1608,-,-,-	1	S.N.A	
...4	T0568	3301-001236	BEAD-SMD;60ohm,1608,-,-,-	1	S.N.A	
...4	T0568	3301-001236	BEAD-SMD;60ohm,1608,-,-,-	1	S.N.A	
...4	T0568	3301-001236	BEAD-SMD;60ohm,1608,-,-,-	1	S.N.A	
...4	T0568	3301-001236	BEAD-SMD;60ohm,1608,-,-,-	1	S.N.A	
...4	T0568	3301-001324	BEAD-SMD;15ohm,2012,600mA,TP,,0.1ohm	1	S.A	
...4	T0568	3301-001324	BEAD-SMD;15ohm,2012,600mA,TP,,0.1ohm	1	S.A	
...4	T0568	3301-001324	BEAD-SMD;15ohm,2012,600mA,TP,,0.1ohm	1	S.A	
...4	T0568	3301-001324	BEAD-SMD;15ohm,2012,600mA,TP,,0.1ohm	1	S.A	
...4	T0568	3301-001404	BEAD-SMD;30ohm,2012,TP,15.9OHM/30MHz	1	S.A	
...4	T0568	3301-001404	BEAD-SMD;30ohm,2012,TP,15.9OHM/30MHz	1	S.A	
...4	T0568	3301-001404	BEAD-SMD;30ohm,2012,TP,15.9OHM/30MHz	1	S.A	
...4	T0568	3301-001404	BEAD-SMD;30ohm,2012,TP,15.9OHM/30MHz	1	S.A	
...4	T0568	3301-001404	BEAD-SMD;30ohm,2012,TP,15.9OHM/30MHz	1	S.A	
...4	T0568	3301-001526	BEAD-SMD;10ohm,1.6x0.8x0.8mm,1000mA,TP,,	1	S.N.A	
...4	T0568	3301-001526	BEAD-SMD;10ohm,1.6x0.8x0.8mm,1000mA,TP,,	1	S.N.A	
...4	T0568	3301-001526	BEAD-SMD;10ohm,1.6x0.8x0.8mm,1000mA,TP,,	1	S.N.A	
...4	T0568	3301-001526	BEAD-SMD;10ohm,1.6x0.8x0.8mm,1000mA,TP,,	1	S.N.A	
...4	T0568	3301-001526	BEAD-SMD;10ohm,1.6x0.8x0.8mm,1000mA,TP,,	1	S.N.A	
...4	T0568	3301-001526	BEAD-SMD;10ohm,1.6x0.8x0.8mm,1000mA,TP,,	1	S.N.A	
...4	T0568	3301-001560	BEAD-SMD;80ohm,1.6X0.8X0.8mm,200mA,TP,,	1	S.N.A	
...4	T0568	3301-001560	BEAD-SMD;80ohm,1.6X0.8X0.8mm,200mA,TP,,	1	S.N.A	
...4	T0568	3301-001560	BEAD-SMD;80ohm,1.6X0.8X0.8mm,200mA,TP,,	1	S.N.A	
...4	T0568	3301-001560	BEAD-SMD;80ohm,1.6X0.8X0.8mm,200mA,TP,,	1	S.N.A	
...4	T0568	3301-001560	BEAD-SMD;80ohm,1.6X0.8X0.8mm,200mA,TP,,	1	S.N.A	
...4	T0568	3301-001560	BEAD-SMD;80ohm,1.6X0.8X0.8mm,200mA,TP,,	1	S.N.A	
...4	T0568	3301-001560	BEAD-SMD;80ohm,1.6X0.8X0.8mm,200mA,TP,,	1	S.N.A	
...4	T0568	3301-001560	BEAD-SMD;80ohm,1.6X0.8X0.8mm,200mA,TP,,	1	S.N.A	
...4	T0568	3301-001560	BEAD-SMD;80ohm,1.6X0.8X0.8mm,200mA,TP,,	1	S.N.A	
...4	T0313	3404-001207	SWITCH-TACT;12V,50mA,160gf,6.2X6.2,SPST	1	S.A	
...4	JA7001	3701-001367	CONNECTOR-HDMI;19P,2R,FEMALE,SMD,AU	1	S.A	
...4	JA7002	3701-001367	CONNECTOR-HDMI;19P,2R,FEMALE,SMD,AU	1	S.A	
...4	CN3002	3708-001150	CONNECTOR-FPC/FFC/PIC;30P,1mm,SMD-A,SN,Y	1	S.A	

5. Exploded View & Part List

Level	Location No.	Code No.	Description & Specification	Q'ty	SA/SNA	Remark
...4	T0077	BN41-00965A	PCB MAIN;FR-4,4,1.2T,192*158	1	S.N.A	
...4	M0107	BN61-03858A	BRACKET-PCB;L450,BRASS(H62Y),T0.4,5mm,7m	1	S.N.A	
...4	M0107	BN61-03858A	BRACKET-PCB;L450,BRASS(H62Y),T0.4,5mm,7m	1	S.N.A	
...4	M0107	BN61-03858A	BRACKET-PCB;L450,BRASS(H62Y),T0.4,5mm,7m	1	S.N.A	
...4	M0107	BN61-03858A	BRACKET-PCB;L450,BRASS(H62Y),T0.4,5mm,7m	1	S.N.A	
...4	M0018	BN97-02014A	ASSY MICOM;T-CRLAUSC-XXXX,N45A,2007.11.0	1	S.N.A	
....5	IC2005	1107-001735	IC-NOR FLASH;MX25L3205DM2I-12G,32Mbit,16	1	S.A	
...4	R110	2007-007587	R-CHIP;3.6Kohm,1%,1/16W,TP,1005	1	S.N.A	
...3	T0334	AA60-00040A	SPACER-CRT;OD8,ID4,BLK,-,-,-,-,-,-,-,-	1	S.N.A	
0.1	M0045	BN92-03346B	ASSY ACCESSORY;LN26A330J1DXZA	1	S.N.A	
..2	M0045	BN96-07095A	ASSY ACCESSORY-MANUAL;LN26A330J1DXZA	1	S.A	
...3	T0524	6902-000110	BAG PE;LDPE,T0.05,W250,L400,TRP,28,2	1	S.N.A	
...3	REV 06	AA68-00371C	MARK RECYCLE-CARD WARRANTY,06,SEA,W/P10	1	S.N.A	
...3	A/SCREW	BN96-01800A	ASSY ACCESSORY-SCREW ZIPPER;ROME32,-,-,-	1	S.N.A	
...4	T0081	6002-001294	SCREW-TAPPING;BH,+,,M4,L16,ZPC(BLK)	4	S.A	
...4	ACCESSORY	6902-000128	BAG ZIPPER;LDPE,T0.05,W200,L150,TRP,8,2-	1	S.N.A	
...3	T0531	BN63-03176A	COVER-BOTTOM;JASMINE 23,26,HIPS,-,-,-,V0	1	S.N.A	
...3	T0210	AA68-03242L	MANUAL FLYER-01,SAFETY GUIDE;comm,Samsun	1	S.N.A	
...3	T0511	BN68-01514A	MANUAL USERS;COMM,SAMSUNG,Eng/Spa,USA,W/	1	S.N.A	
...3		BN68-01516A	MANUAL FLYER-QSG;COMM,SAMSUNG,Eng,N.Amer	1	S.N.A	
..2	M0045	BN96-07274A	ASSY ACCESSORY-CABLE;JADE/ZA,ZC,ZX	1	S.A	
...3	T0268	3903-000144	CBF-POWER CORD;DT,US,BP3/Y,U(IEC C13-RA)	1	S.A	
...3	T0524	6902-000110	BAG PE;LDPE,T0.05,W250,L400,TRP,28,2	1	S.N.A	
...3	CLOTH	BN63-01798A	CLOTH-CLEAN;RE40**,CLOTH,180,200,RHCM	1	S.N.A	
...3	T0074	BN59-00678A	REMOCON;TM-95,39,AMERICA	1	S.A	
0.1	M0019	BN92-03347B	ASSY LABEL;LN26A330J1DXZA	1	S.N.A	
0.1	M0113	BN92-03422A	ASSY P/MATERIAL;26L330,UO	1	S.N.A	
..2	T0524	6902-000737	BAG PE;HDPE/HDPE/NITRON,T0.015/T0.015/T1	1	S.N.A	
..2	T0003	BH69-00418A	BAG WRAPPING;E770S/UM,LDPE,-,1828M,762,-	3.23	S.N.A	
0.1	M0003	BN92-03424A	ASSY BOX;26L330,UO	1	S.N.A	
..2		BN69-02527A	BOX-SET;L330-26,CB,A1,DY-01,W821,D636,H1	1.02	S.N.A	

5-6. LN32A330J1D Parts List

Level	Location No.	Code No.	Description & Specification	Q'ty	SA/SNA	Remark
		LN32A330J1DXZA	LN32A330J1D,N45A/32S80-GJE,32,LCD-TV,UNI			
0.1	M0001	BN90-01172T	ASSY COVER FRONT;32L330	1	S.N.A	
.2	T0003	BN96-04694P	ASSY COVER P-FRONT;32L330,UO,PC+ABS,V0,B	1	S.A	
...3	M0081	6003-001188	SCREW-TAPTITE;BH,+,-,B,M4,L10,ZPC(WHT),S	2	S.N.A	
...3	M0081	6003-001188	SCREW-TAPTITE;BH,+,-,B,M4,L10,ZPC(WHT),S	2	S.N.A	
...3	M0081	6006-001096	SCREW-TAPTITE;BH,+,-,WP,B,M4.0,L12,ZPC(BLK	4	S.N.A	
...3	M0162	6502-001067	CABLE CLAMP;DAFC-1300,ID2.2,T5.2,NYLIN6/	2	S.N.A	
...3	T0060	BN61-01655A	SPRING ETC;STS-304 SUS,D8,L12,T0.5	1	S.N.A	
...3	FELT	BN63-01925A	FELT-VIBRATION;42D5,FELT,T0.35,10,370	4	S.N.A	
...3	CCM1	BN63-02183F	COVER-SHEET;Rhcm,PE Vinyl,T0.05,900mm,20	1.1	S.N.A	
...3	M0112	BN63-03094L	COVER-FRONT;32L330,UO,PC+ABS,V0,BK25,S/M	1	S.N.A	
...3	T0059	BN64-00366A	INDICATOR LED;ROME-I,PC,CLEAR,ALL MODEL	1	S.N.A	
...3	T0022	BN64-00467D	KNOB CONTROL;MOSEL32,ABS,-,-,-,V0(NT),BK	1	S.N.A	
...3	T0023	BN64-00589A	KNOB POWER;32S81,PC,-,-,-,VIOLET,-,-	1	S.N.A	
...3	T0054	BN64-00590A	KNOB-DECORATION;JASMINE 32,ABS,-,-,-,HB,	1	S.N.A	
...3	M0145	BN96-03466A	ASSY BOARD P-FUNCTION;SONOMA,SJ06-01-008	1	S.A	
...3	M0025	BN96-04749C	ASSY DECORATION P;32L330,PC+ABS,V0	1	S.N.A	
...4	B/TAPE	BN61-03261C	BOSS-TAPE;Tulip,ACRYL,T1.1,W24mm,GRAY,TA	0.7	S.N.A	
...4	T0056	BN63-03096C	COVER-DECORATION;32L330,PC+ABS,V0	1	S.N.A	
...3	T0175	BN96-04770A	ASSY SPEAKER P;8ohm,4pin,10W,Jasmine 32"	1	S.A	
...3	M0146	BN96-04884E	ASSY BOARD P-POWER & IR;LE37R86BD,CT5000	1	S.A	
...3	M0081	6003-000275	SCREW-TAPTITE;BH,+,-,B,M3,L10,ZPC(BLK),S	1	S.N.A	
0.1	M0002	BN90-01173U	ASSY COVER REAR;32L330	1	S.N.A	
.2	T0081	6002-001294	SCREW-TAPPING;BH,+,,M4,L16,ZPC(BLK)	2	S.A	
.2	T0081	6002-001294	SCREW-TAPPING;BH,+,,M4,L16,ZPC(BLK)	11	S.A	
.2	M0081	6003-000115	SCREW-TAPTITE;BH,+,-,B,M3,L6,ZPC(BLK),SWRC	1	S.A	
.2	M0013	BN96-04696L	ASSY COVER P-REAR;32L330,UO,HIPS,V0,BK50	1	S.A	
...3	M0081	6003-001188	SCREW-TAPTITE;BH,+,-,B,M4,L10,ZPC(WHT),S	4	S.N.A	
...3	T0101	BN61-03348A	BRACKET-WALL;LCD TV 32,SECC T1.2,-,-,-,-	4	S.N.A	
...3	M0006	BN63-03095D	COVER-REAR;32L330,UO,HIPS,-,-,-,V0,-,BK5	1	S.N.A	
...3	T0071	BN64-00818A	INLAY-TERMINAL;L330/L430,UO,PS SHEET,T0.	1	S.N.A	
...3	T0064	BN65-00002A	CLAMPER CORE;BORDEAUX,LDPE,-,-,BLK,-	1	S.N.A	
...3	T0069	AA60-00091K	SPACER-FELT;-FELT,330X10,-,-,BLK,T0.35,	2	S.N.A	
0.1	M0216	BN90-01616A	ASSY STAND;32L330,UO	1	S.N.A	
.2	T0920	BN61-03978A	GUIDE-STAND;L330 32INCH,PC+GF 20%,BLK	1	S.N.A	
.2		BN63-04356A	COVER-STAND NECK;L450 32INCH,ABS+PMMA,HB	1	S.N.A	
.2	M0027	BN96-07542A	ASSY STAND P-BASE;32L330,ABS+PMMA,HB,BK2	1	S.A	
...3	T0081	6002-001294	SCREW-TAPPING;BH,+,,M4,L16,ZPC(BLK)	4	S.A	
...3	M0081	6003-001239	SCREW-TAPTITE;FH,+,-,B,M4,L10,ZPC(WHT),S	4	S.A	
...3	H/SRTOP	BN61-02232A	HOLDER-SWIVEL RING;32R71,ACETAL NATUAL,N	1	S.N.A	
...3	H/ SRBOTTOM	BN61-02233A	HOLDER-SWIVEL RING;32R71,ACETAL NATUAL,N	1	S.N.A	
...3	B/HSWIVEL	BN61-02236A	BRACKET-HINGE SWIVEL;BORDEAUX 32,SECC,T1	1	S.N.A	
...3	B/SBOTTOM	BN61-02945A	BRACKET-STAND BOTTOM;JASMINE 32",SECC,T1	1	S.N.A	
...3	CCM1	BN63-02183D	COVER-SHEET;Rhcm,PE Vinyl,T0.05,680mm,20	0.4	S.N.A	
...3	T0004	BN63-04509A	COVER-STAND BASE;L330 32INCH,ABS+PMMA,HB	1	S.N.A	

5. Exploded View & Part List

Level	Location No.	Code No.	Description & Specification	Q'ty	SA/SNA	Remark
...3	T0132	BN73-00052A	RUBBER FOOT;ARES 17,CR Rubber Gray,T1.5	8	S.N.A	
...3	ASTGUIDE	BN96-07934A	ASSY STAND P-GUIDE;L450,V0,BLK,40INCH,PC	1	S.N.A	
...4		BN61-02932B	BRACKET-STOPPER NUT;L450,M4,OD8,-,-,L24,	3	S.N.A	
...4		BN61-03872A	GUIDE-STAND BOTTOM;L450 32INCH,PC+GF(20%	1	S.N.A	
.2	T0524	6902-000520	BAG PE;HDPE/NITRON(DOUBLE),T0.015/T0.5(D	1	S.N.A	
0.1	M0019	BN91-01180F	ASSY LCD;LE32R72BX/*	1	S.N.A	
.2	M0215	BN07-00348A	LCD-PANEL;V315B1-L01,8bit,31.5inch,16.7M	1	S.A	
0.1	M0112	BN91-02143A	ASSY SHIELD;LN32A330J1DXZA	1	S.N.A	
.2	M0081	6003-000115	SCREW-TAPTITE;BH,+ ,B,M3,L6,ZPC(BLK),SWRC	4	S.A	
.2	M0081	6003-000115	SCREW-TAPTITE;BH,+ ,B,M3,L6,ZPC(BLK),SWRC	4	S.A	
.2	M0081	6003-000337	SCREW-TAPTITE;BH,+ ,S,M4,L10,ZPC(BLK),SWR	2	S.A	
.2	M0081	6003-000337	SCREW-TAPTITE;BH,+ ,S,M4,L10,ZPC(BLK),SWR	2	S.A	
.2	M0081	6003-001188	SCREW-TAPTITE;BH,+ ,B,M4,L10,ZPC(WHT),S	4	S.N.A	
.2	M0081	6003-001188	SCREW-TAPTITE;BH,+ ,B,M4,L10,ZPC(WHT),S	4	S.N.A	
.2	M0081	6003-001188	SCREW-TAPTITE;BH,+ ,B,M4,L10,ZPC(WHT),S	4	S.N.A	
.2	M0081	6003-001188	SCREW-TAPTITE;BH,+ ,B,M4,L10,ZPC(WHT),S	2	S.N.A	
.2	M0081	6003-001439	SCREW-TAPTITE;BH,+ ,S,M4,L8,ZPC(WHT),SW	1	S.N.A	
.2	M0081	6003-001439	SCREW-TAPTITE;BH,+ ,S,M4,L8,ZPC(WHT),SW	1	S.N.A	
.2	T0076	BN39-00615D	CBF HARNESS;BORDEAUX,1617#22,3P,1P,RING,	1	S.A	
.2	M2893	BN39-00849G	LEAD CONNECTOR;LE26A450,UL1007 #26,14P,2	1	S.A	
.2	M0115	BN61-02947A	BRACKET-STAND LINK;JASMINE 32",SECC,T1.6	1	S.A	
.2	M0254	BN61-03972A	HOLDER-SIDE AV;L330,HIPS,V0,-,-,-,BK500,	1	S.N.A	
.2	T0447	BN96-04681E	ASSY BRACKET P-PANEL;- ,32R81,-,-,-,AM,	1	S.N.A	
...3	M0081	6003-000115	SCREW-TAPTITE;BH,+ ,B,M3,L6,ZPC(BLK),SWRC	3	S.A	
...3	M0081	6003-000115	SCREW-TAPTITE;BH,+ ,B,M3,L6,ZPC(BLK),SWRC	3	S.A	
...3	M0131	AA63-01437A	GASKET;Bordeaux,Conductive Fabric,20mm,9	2	S.N.A	
...3	M0131	AA63-01438A	GASKET;Bordeaux,Conductive Fabric,7mm,8m	1	S.N.A	
...3	B/GUIDEP	BN61-02199B	BRACKET-GUIDE POWER;Bordeaux 32,SECC,T1.	1	S.N.A	
...3	B/GPOWER	BN61-02200A	BRACKET-GUIDE POWER L;Bordeaux 32,SECC,T	1	S.N.A	
...3	M0146	BN61-02970A	BRACKET-PANEL TOP;32 BORDEAUX PLUS,SECC,	1	S.N.A	
...3	B/PBOTTOM	BN61-02974A	BRACKET-PANEL BOTTOM;32 BORDEAUX PLUS,SE	1	S.N.A	
...3	B/GMAIN	BN61-02978A	BRACKET-GUIDE MAIN;32 BORDEAUX PLUS,SECC	1	S.N.A	
.2	M0214	BN96-07158V	ASSY CABLE P-FLAT;JADE,FFC CABLE,70*270*	1	S.A	
.2	M2893	BH39-00362G	LEAD CONNECTOR;SONOMA,UL1007#26,5PIN,100	1	S.A	
.2	M2893	BN39-00802A	LEAD CONNECTOR;LE32R86BDX,UL1007#26,UL/C	1	S.A	
.2	M0114	BN61-02500A	HOLDER-WIRE;NYLON6.6,NATURAL	2	S.N.A	
.2	T0764	BN44-00191B	SMPS-LCDTV;MK32P3,SEM,AC/DC,180W,AC100 ~	1	S.A	
.2	M0146	BN61-02419A	BRACKET-PANEL SIDE;SONOMA 32,SECC,T1.2,A	4	S.N.A	
.2		BN68-01402A	MANUAL FLYER-STAND GUIDE;COMM,SAMSUNG,En	1	S.N.A	
0.1	M0017	BN91-02146C	ASSY CHASSIS;LN32A330J1DXZA	1	S.N.A	
.2	M0014	BN94-01724C	ASSY PCB MAIN;LN32A330J1DXZA	1	S.A	
...3	T0245	0202-001608	SOLDER-WIRE FLUX;LFC7-107,D0.8,99.3Sn/0.	0.25	S.N.A	
...3	JA7003	3701-001400	CONNECTOR-DSUB;15P,3R,FEMALE,STRAIGHT,Ni	1	S.A	
...3	CN906	3707-001081	CONNECTOR-OPTICAL;STRAIGHT,SPDIF	1	S.A	
...3	CN330	3711-000058	HEADER-BOARD TO CABLE;BOX,4P,1R,2.5MM,AN	1	S.A	
...3	CN330	3711-004484	HEADER-BOARD TO CABLE;BOX,5P,1R,2mm,STRA	1	S.A	
...3	CN330	3711-004531	HEADER-BOARD TO CABLE;BOX,10P,1R,2mm,ANG	1	S.A	
...3	CN330	3711-005842	HEADER-BOARD TO CABLE;BOX,24P,2R,2MM,STR	1	S.A	

5. Exploded View & Part List

Level	Location No.	Code No.	Description & Specification	Q'ty	SA/SNA	Remark
...3	JA330	3722-001061	JACK-PHONE;1P,3.6PI,AG,BLK,N	1	S.A	
...3	JA7004	3722-002516	JACK-USB;4P/1C,AU30U,BLK,STRAIGHT,A TYPE	1	S.A	
...3	JA333	3722-002684	JACK-PIN;14P+1P PHONE,NI,BLACK,STRAIGHT	1	S.A	
...3	CIS3	AA40-00177A	TUNER;TDQU6-K01A,TDQU6-K01A,NTSC/ATSC,18	1	S.A	
...3	M0107	BN63-01847A	SHIELD-COVER;ROME,SPTE,T0.3,49.5,79.5,HE	1	S.N.A	
...3	CCMM1	BN73-00024D	SILICON/RUBBER;BORDEAUX,SILICON,28x28XT6	1	S.N.A	
...3	A/HDCP	BN97-00688B	ASSY HDCP;MT8202 IC HDCP Key'	1	S.N.A	
...4		BN46-00018A	KEY CODE-CERTIFICATE;(HDCP KEY)PPM42M5S,	1	S.N.A	
...3	T0174	BN97-02111C	ASSY SMD;LN32A330J1DXZA	1	S.N.A	
...4	SUB05	0202-001477	SOLDER-CREAM;LST309-M,-,D20~45##,96.5Sn/	2.161	S.N.A	
...4	D1011	0401-000133	DIODE-SWITCHING;RLS4148,75V,150mA,LL-34,	1	S.A	
...4	D9005	0401-000133	DIODE-SWITCHING;RLS4148,75V,150mA,LL-34,	1	S.A	
...4	D2002	0401-001056	DIODE-SWITCHING;MMBD4148SE,100V,200mA,SO	1	S.A	
...4	D2003	0401-001056	DIODE-SWITCHING;MMBD4148SE,100V,200mA,SO	1	S.A	
...4	D2004	0401-001056	DIODE-SWITCHING;MMBD4148SE,100V,200mA,SO	1	S.A	
...4	D2006	0401-001056	DIODE-SWITCHING;MMBD4148SE,100V,200mA,SO	1	S.A	
...4	D2008	0401-001056	DIODE-SWITCHING;MMBD4148SE,100V,200mA,SO	1	S.A	
...4	D5001	0401-001056	DIODE-SWITCHING;MMBD4148SE,100V,200mA,SO	1	S.A	
...4	D7002	0401-001056	DIODE-SWITCHING;MMBD4148SE,100V,200mA,SO	1	S.A	
...4	D7005	0401-001056	DIODE-SWITCHING;MMBD4148SE,100V,200mA,SO	1	S.A	
...4	D7011	0401-001056	DIODE-SWITCHING;MMBD4148SE,100V,200mA,SO	1	S.A	
...4	D7012	0401-001056	DIODE-SWITCHING;MMBD4148SE,100V,200mA,SO	1	S.A	
...4	D7013	0401-001056	DIODE-SWITCHING;MMBD4148SE,100V,200mA,SO	1	S.A	
...4	D7023	0401-001056	DIODE-SWITCHING;MMBD4148SE,100V,200mA,SO	1	S.A	
...4	D7025	0401-001056	DIODE-SWITCHING;MMBD4148SE,100V,200mA,SO	1	S.A	
...4	D1004	0401-001099	DIODE-SWITCHING;1N4148WS,75V,150mA,SOD-3	1	S.A	
...4	D1005	0401-001099	DIODE-SWITCHING;1N4148WS,75V,150mA,SOD-3	1	S.A	
...4	D1007L	0401-001099	DIODE-SWITCHING;1N4148WS,75V,150mA,SOD-3	1	S.A	
...4	D1008	0401-001099	DIODE-SWITCHING;1N4148WS,75V,150mA,SOD-3	1	S.A	
...4	D1009	0401-001099	DIODE-SWITCHING;1N4148WS,75V,150mA,SOD-3	1	S.A	
...4	D1010	0401-001099	DIODE-SWITCHING;1N4148WS,75V,150mA,SOD-3	1	S.A	
...4	D9004	0401-001099	DIODE-SWITCHING;1N4148WS,75V,150mA,SOD-3	1	S.A	
...4	D0254	0402-000553	DIODE-SCHOTTKY;SS24/B240,40V,2000mA,DO-2	1	S.A	
...4	D0254	0402-000553	DIODE-SCHOTTKY;SS24/B240,40V,2000mA,DO-2	1	S.A	
...4	D0254	0402-001207	DIODE-SCHOTTKY;UPS5819,40V,1000MA,DO-216	1	S.A	
...4	D1006	0403-000002	DIODE-ZENER;VLZ5V6B,5.45/5.73V,500mW,SOD	1	S.A	
...4	D7017	0403-000771	DIODE-ZENER;VLZ6V2B,5.96-6.27V,500mW,SOD	1	S.A	
...4	D7018	0403-000771	DIODE-ZENER;VLZ6V2B,5.96-6.27V,500mW,SOD	1	S.A	
...4	D7050	0403-000771	DIODE-ZENER;VLZ6V2B,5.96-6.27V,500mW,SOD	1	S.A	
...4	D6002	0403-001052	DIODE-ZENER;RD8.2MB,7.7-8.7V,200mW,SOT-2	1	S.A	
...4	D6003	0403-001052	DIODE-ZENER;RD8.2MB,7.7-8.7V,200mW,SOT-2	1	S.A	
...4	D6004	0403-001052	DIODE-ZENER;RD8.2MB,7.7-8.7V,200mW,SOT-2	1	S.A	
...4	D6005	0403-001052	DIODE-ZENER;RD8.2MB,7.7-8.7V,200mW,SOT-2	1	S.A	
...4	D6007	0403-001052	DIODE-ZENER;RD8.2MB,7.7-8.7V,200mW,SOT-2	1	S.A	
...4	D6008	0403-001052	DIODE-ZENER;RD8.2MB,7.7-8.7V,200mW,SOT-2	1	S.A	
...4	D6013	0403-001052	DIODE-ZENER;RD8.2MB,7.7-8.7V,200mW,SOT-2	1	S.A	
...4	D6014	0403-001052	DIODE-ZENER;RD8.2MB,7.7-8.7V,200mW,SOT-2	1	S.A	
...4	D6016	0403-001052	DIODE-ZENER;RD8.2MB,7.7-8.7V,200mW,SOT-2	1	S.A	
...4	D6017	0403-001052	DIODE-ZENER;RD8.2MB,7.7-8.7V,200mW,SOT-2	1	S.A	
...4	D6019	0403-001052	DIODE-ZENER;RD8.2MB,7.7-8.7V,200mW,SOT-2	1	S.A	
...4	D6020	0403-001052	DIODE-ZENER;RD8.2MB,7.7-8.7V,200mW,SOT-2	1	S.A	

5. Exploded View & Part List

Level	Location No.	Code No.	Description & Specification	Q'ty	SA/SNA	Remark
....4	D7019	0403-001052	DIODE-ZENER;RD8.2MB,7.7-8.7V,200mW,SOT-2	1	S.A	
....4	D7021	0403-001052	DIODE-ZENER;RD8.2MB,7.7-8.7V,200mW,SOT-2	1	S.A	
....4	D7027	0403-001052	DIODE-ZENER;RD8.2MB,7.7-8.7V,200mW,SOT-2	1	S.A	
....4	D7028	0403-001052	DIODE-ZENER;RD8.2MB,7.7-8.7V,200mW,SOT-2	1	S.A	
....4	D7030	0403-001052	DIODE-ZENER;RD8.2MB,7.7-8.7V,200mW,SOT-2	1	S.A	
....4	D7032	0403-001052	DIODE-ZENER;RD8.2MB,7.7-8.7V,200mW,SOT-2	1	S.A	
....4	D7034	0403-001052	DIODE-ZENER;RD8.2MB,7.7-8.7V,200mW,SOT-2	1	S.A	
....4	D5002	0403-001425	DIODE-ZENER;BZX84C33,31-35V,350mW,SOT-23	1	S.A	
....4	D6001	0406-001172	DIODE-TVS;CDS3C30GTH,48/-50V,SMD	1	S.A	
....4	D6006	0406-001172	DIODE-TVS;CDS3C30GTH,48/-50V,SMD	1	S.A	
....4	D6009	0406-001172	DIODE-TVS;CDS3C30GTH,48/-50V,SMD	1	S.A	
....4	D6010	0406-001172	DIODE-TVS;CDS3C30GTH,48/-50V,SMD	1	S.A	
....4	D6011	0406-001172	DIODE-TVS;CDS3C30GTH,48/-50V,SMD	1	S.A	
....4	D6012	0406-001172	DIODE-TVS;CDS3C30GTH,48/-50V,SMD	1	S.A	
....4	D6015	0406-001172	DIODE-TVS;CDS3C30GTH,48/-50V,SMD	1	S.A	
....4	D6018	0406-001172	DIODE-TVS;CDS3C30GTH,48/-50V,SMD	1	S.A	
....4	D6021	0406-001172	DIODE-TVS;CDS3C30GTH,48/-50V,SMD	1	S.A	
....4	D6022	0406-001172	DIODE-TVS;CDS3C30GTH,48/-50V,SMD	1	S.A	
....4	D6023	0406-001172	DIODE-TVS;CDS3C30GTH,48/-50V,SMD	1	S.A	
....4	D6024	0406-001172	DIODE-TVS;CDS3C30GTH,48/-50V,SMD	1	S.A	
....4	D6025	0406-001172	DIODE-TVS;CDS3C30GTH,48/-50V,SMD	1	S.A	
....4	D7001	0406-001172	DIODE-TVS;CDS3C30GTH,48/-50V,SMD	1	S.A	
....4	D7003	0406-001172	DIODE-TVS;CDS3C30GTH,48/-50V,SMD	1	S.A	
....4	D7010	0406-001172	DIODE-TVS;CDS3C30GTH,48/-50V,SMD	1	S.A	
....4	D7024	0406-001172	DIODE-TVS;CDS3C30GTH,48/-50V,SMD	1	S.A	
....4	D7041	0406-001172	DIODE-TVS;CDS3C30GTH,48/-50V,SMD	1	S.A	
....4	D7042	0406-001172	DIODE-TVS;CDS3C30GTH,48/-50V,SMD	1	S.A	
....4	D7014	0406-001200	DIODE-TVS;RCLAMP0504F,6/-V,150W,SC-70	1	S.A	
....4	D7051	0406-001271	DIODE-TVS;RCLAMP0524P,6/-V,150W,SLP251	1	S.A	
....4	D7052	0406-001271	DIODE-TVS;RCLAMP0524P,6/-V,150W,SLP251	1	S.A	
....4	D7053	0406-001271	DIODE-TVS;RCLAMP0524P,6/-V,150W,SLP251	1	S.A	
....4	D7054	0406-001271	DIODE-TVS;RCLAMP0524P,6/-V,150W,SLP251	1	S.A	
....4	D7038	0407-000123	DIODE-ARRAY;DAN202K,80V,100mA,CA2-3,SOT-	1	S.A	
....4	D7039	0407-000123	DIODE-ARRAY;DAN202K,80V,100mA,CA2-3,SOT-	1	S.A	
....4	Q1000	0501-000434	TR-SMALL SIGNAL;KTC3875S-GR,NPN,150mW,SO	1	S.A	
....4	Q9004	0501-000434	TR-SMALL SIGNAL;KTC3875S-GR,NPN,150mW,SO	1	S.A	
....4	Q9005	0501-000434	TR-SMALL SIGNAL;KTC3875S-GR,NPN,150mW,SO	1	S.A	
....4	Q2003	0501-000445	TR-SMALL SIGNAL;KTC3875S-Y,NPN,150mW,SOT	1	S.A	
....4	Q3001L	0501-000445	TR-SMALL SIGNAL;KTC3875S-Y,NPN,150mW,SOT	1	S.A	
....4	Q5001	0501-000445	TR-SMALL SIGNAL;KTC3875S-Y,NPN,150mW,SOT	1	S.A	
....4	Q7003	0501-000445	TR-SMALL SIGNAL;KTC3875S-Y,NPN,150mW,SOT	1	S.A	
....4	Q7004	0501-000445	TR-SMALL SIGNAL;KTC3875S-Y,NPN,150mW,SOT	1	S.A	
....4	Q9002	0501-000669	TR-SMALL SIGNAL;KTA1505Y,PNP,150mW,SOT-2	1	S.A	
....4	Q1002L	0501-002080	TR-SMALL SIGNAL;2SC2412K,NPN,200mW,SC-59	1	S.A	
....4	Q1003L	0501-002080	TR-SMALL SIGNAL;2SC2412K,NPN,200mW,SC-59	1	S.A	
....4	Q2005	0504-000129	TR-DIGITAL;KSR1104,NPN,200mW,47K/47K,SOT	1	S.A	
....4	Q409	0505-000110	FET-SILICON;2N7002,N,60V,115mA,7.5ohm,0.	1	S.A	
....4	Q409	0505-000110	FET-SILICON;2N7002,N,60V,115mA,7.5ohm,0.	1	S.A	
....4	Q409	0505-000110	FET-SILICON;2N7002,N,60V,115mA,7.5ohm,0.	1	S.A	
....4	Q409	0505-001165	FET-SILICON;SI3443BDV,P,-20V,+4.4A,65mo	1	S.A	
....4	IC104	0801-002633	IC-CMOS LOGIC;7WBD3125,2bit BUS SWITCH,S	1	S.A	

5. Exploded View & Part List

Level	Location No.	Code No.	Description & Specification	Q'ty	SA/SNA	Remark
....4	IC104	0801-002633	IC-CMOS LOGIC;7WBD3125,2bit BUS SWITCH,S	1	S.A	
....4	IC2003	0904-001862	IC-I/O SUPPORT CHIP;PCF8574ATS,8Bit,SSOP	1	S.A	
....4	IC6003	1001-000164	IC-ANALOG MULTIPLEX;74HC4052,CMOS,SOP,16	1	S.A	
....4	IC106	1001-001082	IC-VIDEO SWITCH;BA7657F,-,SOP,24P,300MIL	1	S.A	
....4	IC106	1001-001513	IC-VIDEO SWITCH;TMD5351PAG,TQFP,64P,9x9m	1	S.A	
....4	IC6001	1006-001266	IC-LINE TRANSCEIVER;SP3232EEY,TSSOP,16P,	1	S.A	
....4	IC112	1103-000129	IC-EEPROM;24C02,2Kbit,256x8Bit,SOP,8P,5x	1	S.A	
....4	IC112	1103-000129	IC-EEPROM;24C02,2Kbit,256x8Bit,SOP,8P,5x	1	S.A	
....4	IC112	1103-000129	IC-EEPROM;24C02,2Kbit,256x8Bit,SOP,8P,5x	1	S.A	
....4	IC112	1103-001406	IC-EEPROM;AT24C512BN-SH25-T,512Kbit,64Kx	1	S.A	
....4	IC201C	1105-001838	IC-DDR SDRAM;EM6A9160TS0A-5G,DDR SDRAM,1	1	S.A	
....4	IC202C	1105-001838	IC-DDR SDRAM;EM6A9160TS0A-5G,DDR SDRAM,1	1	S.A	
....4	DU410	1201-000166	IC-OP AMP;LM358,SOP,ST,8P,150MIL,DUAL,10	1	S.A	
....4	DU410	1201-000541	IC-OP AMP;062,SOP,8P,153MIL,DUAL,6V/mV,P	1	S.A	
....4	T0085	1201-002487	IC-AUDIO AMP;MAX9728A,QFN,12P,3x3mm,DUAL	1	S.A	
....4	T0124	1201-002678	IC-POWER AMP;STA335BWS,PSSO,36P,10.3x7.5	1	S.A	
....4	IC012	1203-001195	IC-POSI.ADJUST REG.;1587,TO-263,3P,393MI	1	S.A	
....4	IC012	1203-001195	IC-POSI.ADJUST REG.;1587,TO-263,3P,393MI	1	S.A	
....4	T0087	1203-001815	IC-POSI.FIXED REG.;78M09,TO-252,3P,-,PLA	1	S.A	
....4	T0087	1203-002835	IC-POSI.FIXED REG.;KIA7805AF,DPAK,3P,6.6	1	S.A	
....4	T0087	1203-002842	IC-POSI.FIXED REG.;AP1117D-33A,TO-252,3P	1	S.A	
....4	IC012	1203-002995	IC-POSI.ADJUST REG.;AP1117D-A,TO-252,3P,	1	S.A	
....4	IC012	1203-002995	IC-POSI.ADJUST REG.;AP1117D-A,TO-252,3P,	1	S.A	
....4	T0087	1203-003121	IC-POSI.FIXED REG.;FAN1112,SOT-223,3P,6.	1	S.A	
....4	IC1005	1203-004364	IC-VOL. DETECTOR;RT9818C-42PV,SOT-23,3P,	1	S.A	
....4	IC1007	1203-004364	IC-VOL. DETECTOR;RT9818C-42PV,SOT-23,3P,	1	S.A	
....4	IC118	1204-002779	IC-VIDEO PROCESS;S4LF122X01,PBGA,208P,17	1	S.A	
....4	IC5002	1204-002818	IC-DEMODULATOR;S5H1411,-,100P,14x14mm,PL	1	S.A	
....4	IC3001	1204-002834	IC-DECODER;SEMS10-LF,LQFP,256P,28x28mm,P	1	S.A	
....4	R110	2007-000041	R-CHIP;475ohm,1%,1/10W,TP,1608	1	S.A	
....4	R110	2007-000041	R-CHIP;475ohm,1%,1/10W,TP,1608	1	S.A	
....4	R110	2007-000052	R-CHIP;10Kohm,1%,1/10W,TP,1608	1	S.A	
....4	R110	2007-000072	R-CHIP;47ohm,5%,1/10W,TP,1608	1	S.A	
....4	R110	2007-000072	R-CHIP;47ohm,5%,1/10W,TP,1608	1	S.A	
....4	R110	2007-000072	R-CHIP;47ohm,5%,1/10W,TP,1608	1	S.A	
....4	R110	2007-000072	R-CHIP;47ohm,5%,1/10W,TP,1608	1	S.A	
....4	R110	2007-000138	R-CHIP;100ohm,5%,1/16W,TP,1005	1	S.N.A	
....4	R110	2007-000138	R-CHIP;100ohm,5%,1/16W,TP,1005	1	S.N.A	
....4	R110	2007-000138	R-CHIP;100ohm,5%,1/16W,TP,1005	1	S.N.A	
....4	R110	2007-000138	R-CHIP;100ohm,5%,1/16W,TP,1005	1	S.N.A	
....4	R110	2007-000138	R-CHIP;100ohm,5%,1/16W,TP,1005	1	S.N.A	
....4	R110	2007-000138	R-CHIP;100ohm,5%,1/16W,TP,1005	1	S.N.A	
....4	R110	2007-000138	R-CHIP;100ohm,5%,1/16W,TP,1005	1	S.N.A	
....4	R110	2007-000138	R-CHIP;100ohm,5%,1/16W,TP,1005	1	S.N.A	
....4	R110	2007-000138	R-CHIP;100ohm,5%,1/16W,TP,1005	1	S.N.A	
....4	R110	2007-000138	R-CHIP;100ohm,5%,1/16W,TP,1005	1	S.N.A	
....4	R110	2007-000138	R-CHIP;100ohm,5%,1/16W,TP,1005	1	S.N.A	
....4	R110	2007-000138	R-CHIP;100ohm,5%,1/16W,TP,1005	1	S.N.A	
....4	R110	2007-000138	R-CHIP;100ohm,5%,1/16W,TP,1005	1	S.N.A	
....4	R110	2007-000138	R-CHIP;100ohm,5%,1/16W,TP,1005	1	S.N.A	
....4	R110	2007-000138	R-CHIP;100ohm,5%,1/16W,TP,1005	1	S.N.A	
....4	R110	2007-000138	R-CHIP;100ohm,5%,1/16W,TP,1005	1	S.N.A	

5. Exploded View & Part List

Level	Location No.	Code No.	Description & Specification	Q'ty	SA/SNA	Remark
...4	R110	2007-007008	R-CHIP;300ohm,5%,1/16W,TP,1005	1	S.N.A	
...4	R110	2007-007095	R-CHIP;390ohm,5%,1/16W,TP,1005	1	S.N.A	
...4	R110	2007-007107	R-CHIP;100Kohm,1%,1/16W,TP,1005	1	S.N.A	
...4	R110	2007-007107	R-CHIP;100Kohm,1%,1/16W,TP,1005	1	S.N.A	
...4	R110	2007-007142	R-CHIP;10Kohm,1%,1/16W,TP,1005	1	S.N.A	
...4	R110	2007-007142	R-CHIP;10Kohm,1%,1/16W,TP,1005	1	S.N.A	
...4	R110	2007-007316	R-CHIP;3.3KOHM,1%,1/16W,TP,1005	1	S.N.A	
...4	R110	2007-007318	R-CHIP;1Kohm,1%,1/16W,TP,1005	1	S.N.A	
...4	R110	2007-007318	R-CHIP;1Kohm,1%,1/16W,TP,1005	1	S.N.A	
...4	R110	2007-007318	R-CHIP;1Kohm,1%,1/16W,TP,1005	1	S.N.A	
...4	R110	2007-007334	R-CHIP;200Kohm,1%,1/16W,TP,1005	1	S.N.A	
...4	R110	2007-008015	R-CHIP;75ohm,1%,1/16W,TP,1005	1	S.N.A	
...4	R110	2007-008015	R-CHIP;75ohm,1%,1/16W,TP,1005	1	S.N.A	
...4	R110	2007-008015	R-CHIP;75ohm,1%,1/16W,TP,1005	1	S.N.A	
...4	R110	2007-008015	R-CHIP;75ohm,1%,1/16W,TP,1005	1	S.N.A	
...4	R110	2007-008015	R-CHIP;75ohm,1%,1/16W,TP,1005	1	S.N.A	
...4	R110	2007-008015	R-CHIP;75ohm,1%,1/16W,TP,1005	1	S.N.A	
...4	R110	2007-008015	R-CHIP;75ohm,1%,1/16W,TP,1005	1	S.N.A	
...4	R110	2007-008015	R-CHIP;75ohm,1%,1/16W,TP,1005	1	S.N.A	
...4	R110	2007-008015	R-CHIP;75ohm,1%,1/16W,TP,1005	1	S.N.A	
...4	R110	2007-008015	R-CHIP;75ohm,1%,1/16W,TP,1005	1	S.N.A	
...4	R110	2007-008015	R-CHIP;75ohm,1%,1/16W,TP,1005	1	S.N.A	
...4	R110	2007-008015	R-CHIP;75ohm,1%,1/16W,TP,1005	1	S.N.A	
...4	R110	2007-008015	R-CHIP;75ohm,1%,1/16W,TP,1005	1	S.N.A	
...4	R110	2007-008015	R-CHIP;75ohm,1%,1/16W,TP,1005	1	S.N.A	
...4	R110	2007-008015	R-CHIP;75ohm,1%,1/16W,TP,1005	1	S.N.A	
...4	R110	2007-008015	R-CHIP;75ohm,1%,1/16W,TP,1005	1	S.N.A	
...4	R110	2007-008015	R-CHIP;75ohm,1%,1/16W,TP,1005	1	S.N.A	
...4	R110	2007-008015	R-CHIP;75ohm,1%,1/16W,TP,1005	1	S.N.A	
...4	R110	2007-008015	R-CHIP;75ohm,1%,1/16W,TP,1005	1	S.N.A	
...4	R110	2007-008015	R-CHIP;75ohm,1%,1/16W,TP,1005	1	S.N.A	
...4	R110	2007-008015	R-CHIP;75ohm,1%,1/16W,TP,1005	1	S.N.A	
...4	R110	2007-008015	R-CHIP;75ohm,1%,1/16W,TP,1005	1	S.N.A	
...4	R110	2007-008015	R-CHIP;75ohm,1%,1/16W,TP,1005	1	S.N.A	
...4	R110	2007-008015	R-CHIP;75ohm,1%,1/16W,TP,1005	1	S.N.A	
...4	R110	2007-008015	R-CHIP;75ohm,1%,1/16W,TP,1005	1	S.N.A	
...4	R110	2007-008813	R-CHIP;909ohm,1%,1/16W,TP,1005	1	S.N.A	
...4	R110	2007-009853	R-CHIP;1.6Kohm,1%,1/16W,TP,1005	1	S.A	
...4	R2001	2011-001261	R-NETWORK;33ohm,5%,1/16W,L,CHIP,8P,TP,2.	1	S.A	
...4	R2002	2011-001261	R-NETWORK;33ohm,5%,1/16W,L,CHIP,8P,TP,2.	1	S.A	
...4	R2003	2011-001261	R-NETWORK;33ohm,5%,1/16W,L,CHIP,8P,TP,2.	1	S.A	
...4	R2004	2011-001261	R-NETWORK;33ohm,5%,1/16W,L,CHIP,8P,TP,2.	1	S.A	
...4	R2005	2011-001261	R-NETWORK;33ohm,5%,1/16W,L,CHIP,8P,TP,2.	1	S.A	
...4	R2006	2011-001261	R-NETWORK;33ohm,5%,1/16W,L,CHIP,8P,TP,2.	1	S.A	
...4	R2007	2011-001261	R-NETWORK;33ohm,5%,1/16W,L,CHIP,8P,TP,2.	1	S.A	
...4	R2008	2011-001261	R-NETWORK;33ohm,5%,1/16W,L,CHIP,8P,TP,2.	1	S.A	
...4	C120	2203-000125	C-CER,CHIP;1.2nF,10%,50V,X7R,TP,1608,-	1	S.A	
...4	C120	2203-000125	C-CER,CHIP;1.2nF,10%,50V,X7R,TP,1608,-	1	S.A	
...4	C120	2203-000125	C-CER,CHIP;1.2nF,10%,50V,X7R,TP,1608,-	1	S.A	
...4	C120	2203-000125	C-CER,CHIP;1.2nF,10%,50V,X7R,TP,1608,-	1	S.A	
...4	C120	2203-000125	C-CER,CHIP;1.2nF,10%,50V,X7R,TP,1608,-	1	S.A	
...4	C120	2203-000233	C-CER,CHIP;0.1nF,5%,50V,C0G,1005	1	S.A	
...4	C120	2203-000233	C-CER,CHIP;0.1nF,5%,50V,C0G,1005	1	S.A	
...4	C120	2203-000233	C-CER,CHIP;0.1nF,5%,50V,C0G,1005	1	S.A	
...4	C120	2203-000233	C-CER,CHIP;0.1nF,5%,50V,C0G,1005	1	S.A	
...4	C120	2203-000233	C-CER,CHIP;0.1nF,5%,50V,C0G,1005	1	S.A	
...4	C120	2203-000233	C-CER,CHIP;0.1nF,5%,50V,C0G,1005	1	S.A	
...4	C120	2203-000233	C-CER,CHIP;0.1nF,5%,50V,C0G,1005	1	S.A	
...4	C120	2203-000233	C-CER,CHIP;0.1nF,5%,50V,C0G,1005	1	S.A	
...4	C120	2203-000233	C-CER,CHIP;0.1nF,5%,50V,C0G,1005	1	S.A	
...4	C120	2203-000233	C-CER,CHIP;0.1nF,5%,50V,C0G,1005	1	S.A	

5. Exploded View & Part List

Level	Location No.	Code No.	Description & Specification	Q'ty	SA/SNA	Remark
...4	C120	2203-000233	C-CER,CHIP;0.1nF,5%,50V,C0G,1005	1	S.A	
...4	C120	2203-000257	C-CER,CHIP;10nF,10%,50V,X7R,TP,1608	1	S.A	
...4	C120	2203-000257	C-CER,CHIP;10nF,10%,50V,X7R,TP,1608	1	S.A	
...4	C120	2203-000257	C-CER,CHIP;10nF,10%,50V,X7R,TP,1608	1	S.A	
...4	C120	2203-000257	C-CER,CHIP;10nF,10%,50V,X7R,TP,1608	1	S.A	
...4	C120	2203-000257	C-CER,CHIP;10nF,10%,50V,X7R,TP,1608	1	S.A	
...4	C120	2203-000257	C-CER,CHIP;10nF,10%,50V,X7R,TP,1608	1	S.A	
...4	C120	2203-000257	C-CER,CHIP;10nF,10%,50V,X7R,TP,1608	1	S.A	
...4	C120	2203-000257	C-CER,CHIP;10nF,10%,50V,X7R,TP,1608	1	S.A	
...4	C120	2203-000257	C-CER,CHIP;10nF,10%,50V,X7R,TP,1608	1	S.A	
...4	C120	2203-000257	C-CER,CHIP;10nF,10%,50V,X7R,TP,1608	1	S.A	
...4	C120	2203-000257	C-CER,CHIP;10nF,10%,50V,X7R,TP,1608	1	S.A	
...4	C120	2203-000257	C-CER,CHIP;10nF,10%,50V,X7R,TP,1608	1	S.A	
...4	C120	2203-000257	C-CER,CHIP;10nF,10%,50V,X7R,TP,1608	1	S.A	
...4	C120	2203-000257	C-CER,CHIP;10nF,10%,50V,X7R,TP,1608	1	S.A	
...4	C120	2203-000257	C-CER,CHIP;10nF,10%,50V,X7R,TP,1608	1	S.A	
...4	C120	2203-000257	C-CER,CHIP;10nF,10%,50V,X7R,TP,1608	1	S.A	
...4	C120	2203-000257	C-CER,CHIP;10nF,10%,50V,X7R,TP,1608	1	S.A	
...4	C120	2203-000257	C-CER,CHIP;10nF,10%,50V,X7R,TP,1608	1	S.A	
...4	C120	2203-000257	C-CER,CHIP;10nF,10%,50V,X7R,TP,1608	1	S.A	
...4	C120	2203-000257	C-CER,CHIP;10nF,10%,50V,X7R,TP,1608	1	S.A	
...4	C120	2203-000257	C-CER,CHIP;10nF,10%,50V,X7R,TP,1608	1	S.A	
...4	C120	2203-000257	C-CER,CHIP;10nF,10%,50V,X7R,TP,1608	1	S.A	
...4	C120	2203-000257	C-CER,CHIP;10nF,10%,50V,X7R,TP,1608	1	S.A	
...4	C120	2203-000257	C-CER,CHIP;10nF,10%,50V,X7R,TP,1608	1	S.A	
...4	C120	2203-000257	C-CER,CHIP;10nF,10%,50V,X7R,TP,1608	1	S.A	
...4	C120	2203-000280	C-CER,CHIP;0.01nF,0.5pF,50V,C0G,1608	1	S.A	
...4	C120	2203-000438	C-CER,CHIP;1nF,10%,50V,X7R,1005	1	S.A	
...4	C120	2203-000438	C-CER,CHIP;1nF,10%,50V,X7R,1005	1	S.A	
...4	C120	2203-000438	C-CER,CHIP;1nF,10%,50V,X7R,1005	1	S.A	
...4	C120	2203-000438	C-CER,CHIP;1nF,10%,50V,X7R,1005	1	S.A	
...4	C120	2203-000438	C-CER,CHIP;1nF,10%,50V,X7R,1005	1	S.A	
...4	C120	2203-000438	C-CER,CHIP;1nF,10%,50V,X7R,1005	1	S.A	
...4	C120	2203-000438	C-CER,CHIP;1nF,10%,50V,X7R,1005	1	S.A	
...4	C120	2203-000438	C-CER,CHIP;1nF,10%,50V,X7R,1005	1	S.A	
...4	C120	2203-000438	C-CER,CHIP;1nF,10%,50V,X7R,1005	1	S.A	
...4	C120	2203-000438	C-CER,CHIP;1nF,10%,50V,X7R,1005	1	S.A	
...4	C120	2203-000438	C-CER,CHIP;1nF,10%,50V,X7R,1005	1	S.A	
...4	C120	2203-000438	C-CER,CHIP;1nF,10%,50V,X7R,1005	1	S.A	
...4	C120	2203-000489	C-CER,CHIP;2.2nF,10%,50V,X7R,1005	1	S.A	
...4	C120	2203-000489	C-CER,CHIP;2.2nF,10%,50V,X7R,1005	1	S.A	
...4	C120	2203-000489	C-CER,CHIP;2.2nF,10%,50V,X7R,1005	1	S.A	
...4	C120	2203-000575	C-CER,CHIP;220nF,10%,25V,X7R,2012	1	S.A	
...4	C120	2203-000575	C-CER,CHIP;220nF,10%,25V,X7R,2012	1	S.A	
...4	C120	2203-000575	C-CER,CHIP;220nF,10%,25V,X7R,2012	1	S.A	
...4	C120	2203-000575	C-CER,CHIP;220nF,10%,25V,X7R,2012	1	S.A	
...4	C120	2203-000575	C-CER,CHIP;220nF,10%,25V,X7R,2012	1	S.A	
...4	C120	2203-000575	C-CER,CHIP;220nF,10%,25V,X7R,2012	1	S.A	
...4	C120	2203-000627	C-CER,CHIP;0.022nF,5%,50V,C0G,1005	1	S.N.A	

5. Exploded View & Part List

Level	Location No.	Code No.	Description & Specification	Q'ty	SA/SNA	Remark
...4	C120	2203-006361	C-CER,CHIP;10000nF,10%,10V,X5R,2012	1	S.A	
...4	C120	2203-006361	C-CER,CHIP;10000nF,10%,10V,X5R,2012	1	S.A	
...4	C120	2203-006361	C-CER,CHIP;10000nF,10%,10V,X5R,2012	1	S.A	
...4	C120	2203-006361	C-CER,CHIP;10000nF,10%,10V,X5R,2012	1	S.A	
...4	C120	2203-006361	C-CER,CHIP;10000nF,10%,10V,X5R,2012	1	S.A	
...4	C120	2203-006361	C-CER,CHIP;10000nF,10%,10V,X5R,2012	1	S.A	
...4	C120	2203-006361	C-CER,CHIP;10000nF,10%,10V,X5R,2012	1	S.A	
...4	C120	2203-006361	C-CER,CHIP;10000nF,10%,10V,X5R,2012	1	S.A	
...4	C120	2203-006361	C-CER,CHIP;10000nF,10%,10V,X5R,2012	1	S.A	
...4	C120	2203-006361	C-CER,CHIP;10000nF,10%,10V,X5R,2012	1	S.A	
...4	C120	2203-006361	C-CER,CHIP;10000nF,10%,10V,X5R,2012	1	S.A	
...4	C120	2203-006361	C-CER,CHIP;10000nF,10%,10V,X5R,2012	1	S.A	
...4	C120	2203-006361	C-CER,CHIP;10000nF,10%,10V,X5R,2012	1	S.A	
...4	C120	2203-006361	C-CER,CHIP;10000nF,10%,10V,X5R,2012	1	S.A	
...4	C120	2203-006361	C-CER,CHIP;10000nF,10%,10V,X5R,2012	1	S.A	
...4	C120	2203-006361	C-CER,CHIP;10000nF,10%,10V,X5R,2012	1	S.A	
...4	C120	2203-006361	C-CER,CHIP;10000nF,10%,10V,X5R,2012	1	S.A	
...4	C120	2203-006361	C-CER,CHIP;10000nF,10%,10V,X5R,2012	1	S.A	
...4	C120	2203-006361	C-CER,CHIP;10000nF,10%,10V,X5R,2012	1	S.A	
...4	C120	2203-006399	C-CER,CHIP;1000nF,10%,6.3V,X5R,1005	1	S.A	
...4	C120	2203-006399	C-CER,CHIP;1000nF,10%,6.3V,X5R,1005	1	S.A	
...4	C120	2203-006399	C-CER,CHIP;1000nF,10%,6.3V,X5R,1005	1	S.A	
...4	C120	2203-006399	C-CER,CHIP;1000nF,10%,6.3V,X5R,1005	1	S.A	
...4	C120	2203-006399	C-CER,CHIP;1000nF,10%,6.3V,X5R,1005	1	S.A	
...4	C120	2203-006399	C-CER,CHIP;1000nF,10%,6.3V,X5R,1005	1	S.A	
...4	C120	2203-006399	C-CER,CHIP;1000nF,10%,6.3V,X5R,1005	1	S.A	
...4	C120	2203-006399	C-CER,CHIP;1000nF,10%,6.3V,X5R,1005	1	S.A	
...4	C120	2203-006399	C-CER,CHIP;1000nF,10%,6.3V,X5R,1005	1	S.A	
...4	C120	2203-007176	C-CER,CHIP;10000nF,10%,16V,X5R,TP,2012 (1	S.N.A	
...4	C120	2203-007176	C-CER,CHIP;10000nF,10%,16V,X5R,TP,2012 (1	S.N.A	
...4	C9014	2402-001323	C-AL,SMD;100##F,20,25V,LZ,TP,6.3X8mm	1	S.A	
...4	C9017	2402-001323	C-AL,SMD;100##F,20,25V,LZ,TP,6.3X8mm	1	S.A	
...4	C1086	2409-001129	C-POLYMER ,CHIP;100uF,20%,6.3V,WT,TP,3.5	1	S.A	
...4	T0052	2703-000158	INDUCTOR-SMD;1uH,10%,2012	1	S.A	
...4	T0052	2703-000158	INDUCTOR-SMD;1uH,10%,2012	1	S.A	
...4	T0052	2703-000158	INDUCTOR-SMD;1uH,10%,2012	1	S.A	
...4	T0052	2703-000158	INDUCTOR-SMD;1uH,10%,2012	1	S.A	
...4	T0052	2703-000398	INDUCTOR-SMD;10uH,10%,3225	1	S.A	
...4	T0052	2703-000398	INDUCTOR-SMD;10uH,10%,3225	1	S.A	
...4	T0052	2703-000398	INDUCTOR-SMD;10uH,10%,3225	1	S.A	
...4	T0052	2703-000398	INDUCTOR-SMD;10uH,10%,3225	1	S.A	
...4	T0052	2703-000398	INDUCTOR-SMD;10uH,10%,3225	1	S.A	
...4	T0052	2703-000398	INDUCTOR-SMD;10uH,10%,3225	1	S.A	
...4	T0052	2703-000398	INDUCTOR-SMD;10uH,10%,3225	1	S.A	
...4	T0052	2703-000398	INDUCTOR-SMD;10uH,10%,3225	1	S.A	
...4	T0052	2703-000398	INDUCTOR-SMD;10uH,10%,3225	1	S.A	
...4	T0052	2703-000398	INDUCTOR-SMD;10uH,10%,3225	1	S.A	
...4	T0052	2703-000417	INDUCTOR-SMD;220uH,5%,3225	1	S.A	
...4	T0052	2703-001426	INDUCTOR-SMD;680uH,20%,7070	1	S.A	
...4	L9001	2704-000018	INDUCTOR-SMD-ARRAY;15uH,2000mA,2,0.124oh	1	S.N.A	
...4	L9002	2704-000018	INDUCTOR-SMD-ARRAY;15uH,2000mA,2,0.124oh	1	S.N.A	
...4	X202	2801-003773	CRYSTAL-SMD;12MHz,30ppm,28-AAN,20pF,50oh	1	S.A	

5. Exploded View & Part List

Level	Location No.	Code No.	Description & Specification	Q'ty	SA/SNA	Remark
....4	X202	2801-004604	CRYSTAL-SMD;24.69MHz,30ppm,27pF,40ohm,TP	1	S.A	
....4	T0568	3301-000314	BEAD-SMD;120ohm,1.6x0.8x0.8mm,-,-,-	1	S.N.A	
....4	T0568	3301-000314	BEAD-SMD;120ohm,1.6x0.8x0.8mm,-,-,-	1	S.N.A	
....4	T0568	3301-001145	BEAD-SMD;60ohm,4516,TP,70ohm/45MHz,82ohm	1	S.N.A	
....4	T0568	3301-001145	BEAD-SMD;60ohm,4516,TP,70ohm/45MHz,82ohm	1	S.N.A	
....4	T0568	3301-001145	BEAD-SMD;60ohm,4516,TP,70ohm/45MHz,82ohm	1	S.N.A	
....4	T0568	3301-001145	BEAD-SMD;60ohm,4516,TP,70ohm/45MHz,82ohm	1	S.N.A	
....4	T0568	3301-001145	BEAD-SMD;60ohm,4516,TP,70ohm/45MHz,82ohm	1	S.N.A	
....4	T0568	3301-001145	BEAD-SMD;60ohm,4516,TP,70ohm/45MHz,82ohm	1	S.N.A	
....4	T0568	3301-001145	BEAD-SMD;60ohm,4516,TP,70ohm/45MHz,82ohm	1	S.N.A	
....4	T0568	3301-001145	BEAD-SMD;60ohm,4516,TP,70ohm/45MHz,82ohm	1	S.N.A	
....4	T0568	3301-001145	BEAD-SMD;60ohm,4516,TP,70ohm/45MHz,82ohm	1	S.N.A	
....4	T0568	3301-001145	BEAD-SMD;60ohm,4516,TP,70ohm/45MHz,82ohm	1	S.N.A	
....4	T0568	3301-001145	BEAD-SMD;60ohm,4516,TP,70ohm/45MHz,82ohm	1	S.N.A	
....4	T0568	3301-001145	BEAD-SMD;60ohm,4516,TP,70ohm/45MHz,82ohm	1	S.N.A	
....4	T0568	3301-001145	BEAD-SMD;60ohm,4516,TP,70ohm/45MHz,82ohm	1	S.N.A	
....4	T0568	3301-001145	BEAD-SMD;60ohm,4516,TP,70ohm/45MHz,82ohm	1	S.N.A	
....4	T0568	3301-001145	BEAD-SMD;60ohm,4516,TP,70ohm/45MHz,82ohm	1	S.N.A	
....4	T0568	3301-001145	BEAD-SMD;60ohm,4516,TP,70ohm/45MHz,82ohm	1	S.N.A	
....4	T0568	3301-001145	BEAD-SMD;60ohm,4516,TP,70ohm/45MHz,82ohm	1	S.N.A	
....4	T0568	3301-001145	BEAD-SMD;60ohm,4516,TP,70ohm/45MHz,82ohm	1	S.N.A	
....4	T0568	3301-001145	BEAD-SMD;60ohm,4516,TP,70ohm/45MHz,82ohm	1	S.N.A	
....4	T0568	3301-001236	BEAD-SMD;60ohm,1608,-,-,-	1	S.N.A	
....4	T0568	3301-001236	BEAD-SMD;60ohm,1608,-,-,-	1	S.N.A	
....4	T0568	3301-001236	BEAD-SMD;60ohm,1608,-,-,-	1	S.N.A	
....4	T0568	3301-001236	BEAD-SMD;60ohm,1608,-,-,-	1	S.N.A	
....4	T0568	3301-001236	BEAD-SMD;60ohm,1608,-,-,-	1	S.N.A	
....4	T0568	3301-001236	BEAD-SMD;60ohm,1608,-,-,-	1	S.N.A	
....4	T0568	3301-001236	BEAD-SMD;60ohm,1608,-,-,-	1	S.N.A	
....4	T0568	3301-001236	BEAD-SMD;60ohm,1608,-,-,-	1	S.N.A	
....4	T0568	3301-001236	BEAD-SMD;60ohm,1608,-,-,-	1	S.N.A	
....4	T0568	3301-001236	BEAD-SMD;60ohm,1608,-,-,-	1	S.N.A	
....4	T0568	3301-001324	BEAD-SMD;15ohm,2012,600mA,TP,,0.1ohm	1	S.A	
....4	T0568	3301-001324	BEAD-SMD;15ohm,2012,600mA,TP,,0.1ohm	1	S.A	
....4	T0568	3301-001324	BEAD-SMD;15ohm,2012,600mA,TP,,0.1ohm	1	S.A	
....4	T0568	3301-001324	BEAD-SMD;15ohm,2012,600mA,TP,,0.1ohm	1	S.A	
....4	T0568	3301-001404	BEAD-SMD;30ohm,2012,TP,15.9OHM/30MHz	1	S.A	
....4	T0568	3301-001404	BEAD-SMD;30ohm,2012,TP,15.9OHM/30MHz	1	S.A	
....4	T0568	3301-001404	BEAD-SMD;30ohm,2012,TP,15.9OHM/30MHz	1	S.A	
....4	T0568	3301-001404	BEAD-SMD;30ohm,2012,TP,15.9OHM/30MHz	1	S.A	
....4	T0568	3301-001404	BEAD-SMD;30ohm,2012,TP,15.9OHM/30MHz	1	S.A	
....4	T0568	3301-001526	BEAD-SMD;10ohm,1.6x0.8x0.8mm,1000mA,TP,,	1	S.N.A	
....4	T0568	3301-001526	BEAD-SMD;10ohm,1.6x0.8x0.8mm,1000mA,TP,,	1	S.N.A	
....4	T0568	3301-001526	BEAD-SMD;10ohm,1.6x0.8x0.8mm,1000mA,TP,,	1	S.N.A	
....4	T0568	3301-001526	BEAD-SMD;10ohm,1.6x0.8x0.8mm,1000mA,TP,,	1	S.N.A	
....4	T0568	3301-001526	BEAD-SMD;10ohm,1.6x0.8x0.8mm,1000mA,TP,,	1	S.N.A	
....4	T0568	3301-001526	BEAD-SMD;10ohm,1.6x0.8x0.8mm,1000mA,TP,,	1	S.N.A	
....4	T0568	3301-001560	BEAD-SMD;80ohm,1.6X0.8X0.8mm,200mA,TP,,	1	S.N.A	
....4	T0568	3301-001560	BEAD-SMD;80ohm,1.6X0.8X0.8mm,200mA,TP,,	1	S.N.A	
....4	T0568	3301-001560	BEAD-SMD;80ohm,1.6X0.8X0.8mm,200mA,TP,,	1	S.N.A	
....4	T0568	3301-001560	BEAD-SMD;80ohm,1.6X0.8X0.8mm,200mA,TP,,	1	S.N.A	
....4	T0568	3301-001560	BEAD-SMD;80ohm,1.6X0.8X0.8mm,200mA,TP,,	1	S.N.A	

5. Exploded View & Part List

Level	Location No.	Code No.	Description & Specification	Q'ty	SA/SNA	Remark
...4	T0568	3301-001560	BEAD-SMD;80ohm,1.6X0.8X0.8mm,200mA,TP,,,	1	S.N.A	
...4	T0568	3301-001560	BEAD-SMD;80ohm,1.6X0.8X0.8mm,200mA,TP,,,	1	S.N.A	
...4	T0568	3301-001560	BEAD-SMD;80ohm,1.6X0.8X0.8mm,200mA,TP,,,	1	S.N.A	
...4	T0568	3301-001560	BEAD-SMD;80ohm,1.6X0.8X0.8mm,200mA,TP,,,	1	S.N.A	
...4	T0313	3404-001207	SWITCH-TACT;12V,50mA,160gf,6.2X6.2,SPST	1	S.A	
...4	JA7001	3701-001367	CONNECTOR-HDMI;19P,2R,FEMALE,SMD,AU	1	S.A	
...4	JA7002	3701-001367	CONNECTOR-HDMI;19P,2R,FEMALE,SMD,AU	1	S.A	
...4	CN3002	3708-001150	CONNECTOR-FPC/FFC/PIC;30P,1mm,SMD-A,SN,Y	1	S.A	
...4	T0077	BN41-00965A	PCB MAIN;FR-4,4,1.2T,192*158	1	S.N.A	
...4	M0107	BN61-03858A	BRACKET-PCB;L450,BRASS(H62Y),T0.4,5mm,7m	1	S.N.A	
...4	M0107	BN61-03858A	BRACKET-PCB;L450,BRASS(H62Y),T0.4,5mm,7m	1	S.N.A	
...4	M0107	BN61-03858A	BRACKET-PCB;L450,BRASS(H62Y),T0.4,5mm,7m	1	S.N.A	
...4	M0107	BN61-03858A	BRACKET-PCB;L450,BRASS(H62Y),T0.4,5mm,7m	1	S.N.A	
...4	M0018	BN97-02014A	ASSY MICOM;T-CRLAUSC-XXXX,N45A,2007.11.0	1	S.N.A	
....5	IC2005	1107-001735	IC-NOR FLASH;MX25L3205DM2I-12G,32Mbit,16	1	S.A	
...4	R110	2007-007587	R-CHIP;3.6Kohm,1%,1/16W,TP,1005	1	S.N.A	
...3	T0334	AA60-00040A	SPACER-CRT;OD8,ID4,BLK,-,-,-,-,-,-,-,-	1	S.N.A	
0.1	M0045	BN92-03346C	ASSY ACCESSORY;LN32A330J1DXZA	1	S.N.A	
..2	M0045	BN96-07096A	ASSY ACCESSORY-MANUAL;LN32A330J1DXZA	1	S.N.A	
...3	T0524	6902-000110	BAG PE;LDPE,T0.05,W250,L400,TRP,28,2	1	S.N.A	
...3	REV 06	AA68-00371C	MARK RECYCLE-CARD WARRANTY,06,;SEA,W/P10	1	S.N.A	
...3	T0531	BN63-03093A	COVER-BOTTOM;32S81,HIPS,-,-,-,VO,-,BK500	1	S.N.A	
...3	A/SCREW	BN96-01800A	ASSY ACCESSORY-SCREW ZIPPER;ROME32,-,-,-	1	S.N.A	
...4	T0081	6002-001294	SCREW-TAPPING;BH,+,,M4,L16,ZPC(BLK)	4	S.A	
...4	ACCESSORY	6902-000128	BAG ZIPPER;LDPE,T0.05,W200,L150,TRP,8,2-	1	S.N.A	
...3	M0045	BN96-01800D	ASSY ACCESSORY;CORAL,Without Stand	1	S.A	
...4	B/ZIPPER	6902-000128	BAG ZIPPER;LDPE,T0.05,W200,L150,TRP,8,2-	1	S.N.A	
...4	M0081	6003-001334	SCREW-TAPTITE;BH,+ ,S,M4,L14,ZPC(BLK),SWR	3	S.N.A	
...3	T0210	AA68-03242L	MANUAL FLYER-01,SAFETY GUIDE;comm,Samsun	1	S.N.A	
...3		BN68-01402A	MANUAL FLYER-STAND GUIDE;COMM,SAMSUNG,En	1	S.N.A	
...3	T0511	BN68-01514A	MANUAL USERS;COMM,SAMSUNG,Eng/Spa,USA,W/	1	S.N.A	
...3		BN68-01516A	MANUAL FLYER-QSG;COMM,SAMSUNG,Eng,N.Amer	1	S.N.A	
..2	M0045	BN96-07275A	ASSY ACCESSORY-CABLE;JADE/ZA,ZC,ZX	1	S.A	
...3	T0268	3903-000144	CBF-POWER CORD;DT,US,BP3Y,U(IEC C13-RA)	1	S.A	
...3	T0524	6902-000110	BAG PE;LDPE,T0.05,W250,L400,TRP,28,2	1	S.N.A	
...3	CLOTH	BN63-01798A	CLOTH-CLEAN;RE40**,CLOTH,180,200,RHCM	1	S.N.A	
...3	T0074	BN59-00678A	REMOCON;TM-95,39,AMERICA	1	S.A	
0.1	M0019	BN92-03347C	ASSY LABEL;LN32A330J1DXZA	1	S.N.A	
0.1	M0113	BN92-03402A	ASSY P/MATERIAL;32L330,UO	1	S.N.A	
..2	T0524	6902-000738	BAG PE;HDPE/HDPE/NITRON,T0.015/T0.015/T1	1	S.N.A	
..2	T0003	BH69-00418A	BAG WRAPPING;E770S/UM,LDPE,-,1828M,762,-	5.7	S.N.A	
0.1	M0003	BN92-03405A	ASSY BOX;32L330,UO	1	S.N.A	
..2	M0103	BN66-00016A	LEVER-TOP;L450,LDPE,GRAY	1	S.N.A	
..2	M0102	BN66-00017A	LEVER-BOTTOM;L450,LDPE,GRAY	1	S.N.A	
..2		BN69-02510A	BOX-SET;L330 32" DS,CB,A-01,DY-01, AB,YE	1.02	S.N.A	

5-7. LN37A330J1D Parts List

Level	Location No.	Code No.	Description & Specification	Q'ty	SA/SNA	Remark
		LA37A550P1RXXS	LA37A550P1R,N42A/37AP1-GPR,37,LCD-TV,SIN			
0.1	M0001	BN90-01456D	ASSY COVER FRONT;PEARL 37"	1	S.N.A	
..2	T0003	BN96-06707E	ASSY COVER P-FRONT;PEARL 37",Asia,ABS+PM	1	S.A	
...3	M0081	6003-001188	SCREW-TAPTITE;BH,+,-,B,M4,L10,ZPC(WHT),S	2	S.N.A	
...3	M0081	6003-001188	SCREW-TAPTITE;BH,+,-,B,M4,L10,ZPC(WHT),S	2	S.N.A	
...3	M0081	6003-001188	SCREW-TAPTITE;BH,+,-,B,M4,L10,ZPC(WHT),S	1	S.N.A	
...3	T0069	AA60-00171L	SPACER-FELT;46L3,FELT,460,T0.5,10	2	S.N.A	
...3		BN63-01151A	FELT-NON WOVEN;MM17NS,T0.5,393,10,BLACK	4	S.N.A	
...3	CCM1	BN63-02183H	COVER-SHEET;Rhcm,PE Vinyl,T0.05,1300mm,2	0.7	S.N.A	
...3	M0112	BN63-04193E	COVER-FRONT;PEARL 37",ABS+PMMA,HB,Asia,B	1	S.N.A	
...3	T0061	BN64-00453A	WINDOW-REMOCON;32R71,PC,V0,VIOLET,DIFFUS	1	S.N.A	
...3	M0025	BN96-06711A	ASSY DECORATION P;L550-1 37Inch,UO,ABS+P	2	S.N.A	
....4		BN64-00767A	DECORATION-IN;DECORATION-IN 37,ABS HB ,	1	S.N.A	
....4		BN64-00768A	DECORATION-OUT;DECORATION-OUT 37,ABS PMM	1	S.N.A	
....4	CCM1	BN63-02183D	COVER-SHEET;Rhcm,PE Vinyl,T0.05,680mm,20	0.05	S.N.A	
...3		BN96-06730A	ASSY HOLDER P-BOSS;PEARL 37",,,HIPS HB,,B	1	S.N.A	
....4		BN61-03261J	BOSS-TAPE;Tulip,ACRYL,T1.1,W16.0mm,GRAY,	0.7	S.N.A	
....4		BN61-03709A	HOLDER-BOSS BOTTOM;HOLDER-BOSS-BOTTOM 37	1	S.N.A	
...3	T0527	BN64-00763A	GRILLE-SPEAKER;GRILLE-SPEAKER 32,PET SHE	2	S.N.A	
...3	M0125	BN96-06921C	ASSY BOARD P-FUNCTION & IR 900;LN37A550P	1	S.A	
0.1	M0002	BN90-01466D	ASSY COVER REAR;PEARL 37"	1	S.N.A	
..2	T0081	6002-001294	SCREW-TAPPING;BH,+,,M4,L16,ZPC(BLK)	1	S.A	
..2	T0081	6002-001294	SCREW-TAPPING;BH,+,,M4,L16,ZPC(BLK)	13	S.A	
..2	T0081	6002-001294	SCREW-TAPPING;BH,+,,M4,L16,ZPC(BLK)	2	S.A	
..2	M0081	6003-000115	SCREW-TAPTITE;BH,+ ,B,M3,L6,ZPC(BLK),SWRC	1	S.A	
..2	M0013	BN96-06716C	ASSY COVER P-REAR;PEARL 37",Asia,HIPS,HB	1	S.A	
...3	M0081	6003-001188	SCREW-TAPTITE;BH,+,-,B,M4,L10,ZPC(WHT),S	2	S.N.A	
...3	T0101	BN61-03348A	BRACKET-WALL;LCD TV 32,SECC T1.2,-,-,-,-	2	S.N.A	
...3	M0006	BN63-04194C	COVER-REAR;PEARL 37",HIPS,HB,Asia,BK500	1	S.N.A	
...3	T0071	BN64-00777A	INLAY-TERMINAL;L450,SO,PS SHEET,T0.5,183	1	S.N.A	
...3	T0064	BN65-00002A	CLAMPER CORE;BORDEAUX,LDPE,-,-,BLK,-	1	S.N.A	
0.1	M0216	BN90-01476A	ASSY STAND;L550-1 37Inch	1	S.N.A	
..2	T0081	6002-001294	SCREW-TAPPING;BH,+,,M4,L16,ZPC(BLK)	4	S.A	
..2	M0027	BN96-06736A	ASSY STAND P-BASE;L550 37Inch,ABS+PMMA,H	1	S.A	
...3	T0081	6002-001294	SCREW-TAPPING;BH,+,,M4,L16,ZPC(BLK)	4	S.A	
...3	M0081	6003-001239	SCREW-TAPTITE;FH,+,-,B,M4,L10,ZPC(WHT),S	6	S.A	
...3		BN61-02247A	HOLDER-SWIVEL RING;40R71,ACETAL,BLK	1	S.N.A	
...3		BN61-02248A	HOLDER-SWIVEL RING;40R71,ACETAL NATUAL,T	1	S.N.A	
...3		BN61-02885A	HOLDER-SWIVEL RING;MURANO40,ACETAL NATUR	1	S.N.A	
...3		BN61-02886A	BRACKET-HINGE SWIVEL;BORDEAUX PLUS,40,SE	1	S.N.A	
...3	T0920	BN61-03714A	GUIDE-STAND;GUIDE-STAND 37,PC ABS G/F20%	1	S.N.A	
...3		BN61-03715A	BRACKET-STAND BOTTOM;BRACKET-STAND-BOTTO	1	S.N.A	
...3	CCM1	BN63-02183D	COVER-SHEET;Rhcm,PE Vinyl,T0.05,680mm,20	0.4	S.N.A	
...3		BN63-03667A	COVER-STAND SUB;40 PEONY,ABS+PMMA,HB,BK2	1	S.N.A	
...3	T0004	BN63-04200A	COVER-STAND BASE;COVER-STAND-BASE 37,ABS	1	S.N.A	
...3	T0132	BN73-00052A	RUBBER FOOT;ARES 17,CR Rubber Gray,T1.5	6	S.N.A	

5. Exploded View & Part List

Level	Location No.	Code No.	Description & Specification	Q'ty	SA/SNA	Remark
0.1		BN91-01964B	ASSY LCD-AUO;LN37A550P1FX*/, T370HW02 V4	1	S.N.A	
.2	M0215	BN07-00514A	LCD-PANEL;T370HW02 V4,8bit,37inch,16.7M,	1	S.A	
0.1	M0112	BN91-01990F	ASSY SHIELD;LA37A550P1RX*,SAMSUNG SMPS,	1	S.N.A	
.2	T0081	6002-001294	SCREW-TAPPING;BH,+,,M4,L16,ZPC(BLK)	4	S.A	
.2	M0081	6003-000115	SCREW-TAPTITE;BH,+ ,B,M3,L6,ZPC(BLK),SWRC	4	S.A	
.2	M0081	6003-000115	SCREW-TAPTITE;BH,+ ,B,M3,L6,ZPC(BLK),SWRC	6	S.A	
.2	M0081	6003-000337	SCREW-TAPTITE;BH,+ ,S,M4,L10,ZPC(BLK),SWR	2	S.A	
.2	M0081	6003-001003	SCREW-TAPTITE;BH,+ ,B,M4,L12,ZPC(BLK),SWR	7	S.N.A	
.2	M0081	6003-001188	SCREW-TAPTITE;BH,+ ,-,B,M4,L10,ZPC(WHT),S	1	S.N.A	
.2	M0081	6003-001188	SCREW-TAPTITE;BH,+ ,-,B,M4,L10,ZPC(WHT),S	2	S.N.A	
.2	M0081	6003-001188	SCREW-TAPTITE;BH,+ ,-,B,M4,L10,ZPC(WHT),S	6	S.N.A	
.2	M0081	6003-001188	SCREW-TAPTITE;BH,+ ,-,B,M4,L10,ZPC(WHT),S	2	S.N.A	
.2	M0081	6003-001188	SCREW-TAPTITE;BH,+ ,-,B,M4,L10,ZPC(WHT),S	2	S.N.A	
.2	M0081	6003-001439	SCREW-TAPTITE;BH,+ ,-,S,M4,L8,ZPC(WHT),SW	1	S.N.A	
.2	M0081	6006-001096	SCREW-TAPTITE;BH,+ ,WP,B,M4.0,L12,ZPC(BLK	4	S.N.A	
.2	M0081	6006-001096	SCREW-TAPTITE;BH,+ ,WP,B,M4.0,L12,ZPC(BLK	2	S.N.A	
.2	M2893	BN39-00802F	LEAD CONNECTOR;LE46S86BDX,UL1007#26,24PI	1	S.A	
.2	M2893	BN39-00886A	LEAD CONNECTOR;LE37M86BDX/XEC,UL1007 #26	1	S.A	
.2	T0764	BN44-00216A	SMPS-LCDTV;MK37P5T,SEM,AC/DC,171W,AC100	1	S.A	
.2	M0254	BN61-02875D	HOLDER-SIDE AV;32S81,UO,HIPS,V0(NON-DECA	1	S.N.A	
.2	M0115	BN61-03711A	BRACKET-STAND LINK;BRACKET-STAND-LINK 37	1	S.N.A	
.2		BN61-03761A	HOLDER-WOOFER;32 PEARL,HIPS HB,BK500	2	S.N.A	
.2	M0125	BN96-04817B	ASSY INLET P;LNT4081FX,XAA,250mm,250mm,-	1	S.A	
.2	T0447	BN96-07174A	ASSY BRACKET P-PANEL;L550 37Inch	1	S.N.A	
...3	M0081	6003-000115	SCREW-TAPTITE;BH,+ ,B,M3,L6,ZPC(BLK),SWRC	6	S.A	
...3	M0081	6003-000115	SCREW-TAPTITE;BH,+ ,B,M3,L6,ZPC(BLK),SWRC	2	S.A	
...3	T0101	BN61-02968A	BRACKET-WALL;40 BORDEAUX PLUS,SECC,T1.2,	1	S.N.A	
...3		BN61-02977B	BRACKET-PANEL BOTTOM;PEARL 37",SECC,T1.2	1	S.N.A	
...3		BN61-02980A	BRACKET-GUIDE MAIN;37 BORDEAUX PLUS,SECC	1	S.N.A	
...3		BN61-03033A	BRACKET-GUIDE POWER;37 BORDEAUX PLUS,SEC	1	S.N.A	
...3		BN61-03034A	BRACKET-GUIDE POWER;37 BORDEAUX PLUS,SEC	1	S.N.A	
...3	M0146	BN61-03712A	BRACKET-PANEL TOP;BRACKET-PANEL-TOP 37,S	1	S.N.A	
...3	M0131	AA63-01438A	GASKET;Bordeaux,Conductive Fabric,7mm,8m	1	S.N.A	
...3	M0131	BN63-03503A	GASKET;JASMINE,Conductive Fabric,25,8,24	1	S.N.A	
...3	M0131	BN63-03504A	GASKET;JASMINE,Conductive Fabric,25,8,28	1	S.N.A	
.2	M2893	BN39-01046A	LEAD CONNECTOR-LVDS;LE37A556P1F,UL1571#3	1	S.A	
.2	T0175	BN96-06819A	ASSY SPEAKER P;8ohm,PEARL,LCD,10W,100mm,	2	S.A	
.2	T0175	BN96-06820B	ASSY SPEAKER P;8ohm,PEARL,LCD 37"/40",10	1	S.A	
.2	M0114	BN61-02500A	HOLDER-WIRE;NYLON6.6,NATURAL	3	S.N.A	
.2	M2893	BP39-00177B	LEAD CONNECTOR;RE40**,UL1007#26,5P,150mm	1	S.A	
0.1	M0003	BN92-03135C	ASSY BOX;PEARL 37"	1	S.N.A	
.2		BN69-02310F	BOX-SET,OUT;L550-37,CB,DY-01,AB,YEL,A1,E	1.02	S.N.A	
.2	M0521	BN69-02311A	BOX-SET,IN;L550-37,CB,A1,DY-01,W1505,D69	1.02	S.N.A	
0.1	M0113	BN92-03145A	ASSY P/MATERIAL;L550-1 37Inch	1	S.N.A	
.2	T0376	6902-000001	BAG AIR;LDPE,T0.2,L1800,W1000,TRP,,,LDPE	0.01	S.N.A	
.2	T0376	6902-000061	BAG AIR;LDPE,T0.2,L1000,W500,TRP,,,	0.028	S.N.A	
.2	T0524	6902-000524	BAG PE;HDPE/NITRON,T0.015/T0.5,W1200,L11	1	S.N.A	

5. Exploded View & Part List

Level	Location No.	Code No.	Description & Specification	Q'ty	SA/SNA	Remark
.2		6922-000003	BAND PP;PP,T0.8,W18,L1650M,TRP,DA69-9014	4.74	S.N.A	
.2	T0214	BN74-00008A	TAPE-OPP MASKING;OPP-2,T0.05,W100,L800M,	1.27	S.N.A	
.2	T0214	AA61-20285C	HOLDER-BOX;CORAL,PP,BLACK,HB	2	S.N.A	
0.1	M0045	BN92-03352B	ASSY ACCESSORY;LA37A550P1RXXS	1	S.N.A	
.2	M0045	BN96-06964H	ASSY ACCESSORY-MANUAL;SQE-LA32A550P1RXXS	1	S.A	
...3	T0524	6902-000110	BAG PE;LDPE,T0.05,W250,L400,TRP,28,2	1	S.N.A	
...3	T0210	AA68-03242M	MANUAL FLYER-01,SAFETY GUIDE;comm,Samsun	1	S.N.A	
...3	T0511	BN68-01415A	MANUAL USERS;COMM,SAMSUNG,Eng,Asia,W/P 8	1	S.N.A	
.2	M0045	BN96-06965Q	ASSY ACCESSORY-CABLE;LA37A550P1RXXS	1	S.A	
...3	T0524	6902-000110	BAG PE;LDPE,T0.05,W250,L400,TRP,28,2	1	S.N.A	
...3	T0268	3903-000193	CBF-POWER CORD;DT,GB,GP3/YES,U(IEC C13-R	1	S.A	
...3	T0074	BN59-00686A	REMOCON;TM-96B,49,EUROPE_READY-550	1	S.A	
...3		BN63-01798A	CLOTH-CLEAN;RE40**,CLOTH,180,200,RHCM	1	S.N.A	
...3	T0531	BN63-04208A	COVER-BOTTOM;COVER-BOTTOM 37,HIPS,HB,BK5	1	S.N.A	
0.1	M0017	BN91-01988C	ASSY CHASSIS;LA37A550P1RX*,N42A,PEARL	1	S.N.A	
.2	M0014	BN94-01743B	ASSY PCB MAIN;PEARL	1	S.A	
...3	T0245	0202-001608	SOLDER-WIRE FLUX;LFC7-107,D0.8,99.3Sn/0.	0.25	S.N.A	
...3	CN3003_NSI	3701-001388	CONNECTOR-HDMI;20P,Phosphor Bronze,ANGLE	1	S.A	
...3	CN3009	3701-001480	CONNECTOR-DSUB;15P,3R,FEMAIL,STAMPED PIN	1	S.A	
...3	CN330	3711-000058	HEADER-BOARD TO CABLE;BOX,4P,1R,2.5MM,AN	1	S.A	
...3	CN330	3711-004379	HEADER-BOARD TO CABLE;BOX,4P,1R,2mm,STRA	1	S.A	
...3	CN330	3711-004484	HEADER-BOARD TO CABLE;BOX,5P,1R,2mm,STRA	1	S.A	
...3	CN330	3711-004484	HEADER-BOARD TO CABLE;BOX,5P,1R,2mm,STRA	1	S.A	
...3	CN330	3711-004531	HEADER-BOARD TO CABLE;BOX,10P,1R,2mm,ANG	1	S.A	
...3	CN330	3711-005842	HEADER-BOARD TO CABLE;BOX,24P,2R,2MM,STR	1	S.A	
...3	JA330	3722-000143	JACK-PHONE;1P(VER),AG,BLK,ANGLE	1	S.A	
...3	JA330	3722-001061	JACK-PHONE;1P,3.6PI,AG,BLK,N	1	S.A	
...3	JA330	3722-001061	JACK-PHONE;1P,3.6PI,AG,BLK,N	1	S.A	
...3	CN3006_NSI	3722-002275	JACK-DIN;4P,-,SN,BLK,-	1	S.A	
...3	CN3011_NSI	3722-002546	JACK-USB;4P/1C,AU,BLK,ANGLE,A type	1	S.N.A	
...3	JA333	3722-002690	JACK-PIN;3P,Ni,RED/WHT/YEL,ANGLE	1	S.A	
...3	JA333	3722-002691	JACK-PIN;2P,Ni,WHT/RED,STRAIGHT	1	S.A	
...3	JA333	3722-002691	JACK-PIN;2P,Ni,WHT/RED,STRAIGHT	1	S.A	
...3	JA333	3722-002699	JACK-PIN;3P,Ni,YEL/WHT/RED,STRAIGHT	1	S.A	
...3	JA333	3722-002711	JACK-PIN;10P,Ni,GRN/BLU/RED/WHT/RED,STRA	1	S.A	
...3	CIS3	BN40-00098A	TUNER;HTM-6B/235S,HTM-6B/235S,PAL BG,DK,	1	S.A	
...3	T0174	BN97-02131B	ASSY SMD;PEARL	1	S.N.A	
...4	SUB05	0202-001278	SOLDER-CREAM;M705-221BM5-32-11,-,20~40UM	3.44	S.N.A	
...4	D1006	0401-000133	DIODE-SWITCHING;RLS4148,75V,150mA,LL-34,	1	S.A	
...4	D1001	0401-001056	DIODE-SWITCHING;MMBD4148SE,100V,200mA,SO	1	S.A	
...4	D1002	0401-001056	DIODE-SWITCHING;MMBD4148SE,100V,200mA,SO	1	S.A	
...4	D1003	0401-001056	DIODE-SWITCHING;MMBD4148SE,100V,200mA,SO	1	S.A	
...4	D1010	0401-001056	DIODE-SWITCHING;MMBD4148SE,100V,200mA,SO	1	S.A	
...4	D3001_NSID	0401-001056	DIODE-SWITCHING;MMBD4148SE,100V,200mA,SO	1	S.A	
...4	D3002_NSID	0401-001056	DIODE-SWITCHING;MMBD4148SE,100V,200mA,SO	1	S.A	
...4	D3013	0401-001056	DIODE-SWITCHING;MMBD4148SE,100V,200mA,SO	1	S.A	
...4	D3014	0401-001056	DIODE-SWITCHING;MMBD4148SE,100V,200mA,SO	1	S.A	
...4	D3015	0401-001056	DIODE-SWITCHING;MMBD4148SE,100V,200mA,SO	1	S.A	
...4	D3017	0401-001056	DIODE-SWITCHING;MMBD4148SE,100V,200mA,SO	1	S.A	

5. Exploded View & Part List

Level	Location No.	Code No.	Description & Specification	Q'ty	SA/SNA	Remark
...4	D3018	0401-001056	DIODE-SWITCHING;MMBD4148SE,100V,200mA,SO	1	S.A	
...4	D3019_NSID	0401-001056	DIODE-SWITCHING;MMBD4148SE,100V,200mA,SO	1	S.A	
...4	D3020_NSID	0401-001056	DIODE-SWITCHING;MMBD4148SE,100V,200mA,SO	1	S.A	
...4	D3021_NSID	0401-001056	DIODE-SWITCHING;MMBD4148SE,100V,200mA,SO	1	S.A	
...4	D3022_NSID	0401-001056	DIODE-SWITCHING;MMBD4148SE,100V,200mA,SO	1	S.A	
...4	D3024_NSID	0401-001056	DIODE-SWITCHING;MMBD4148SE,100V,200mA,SO	1	S.A	
...4	D3025_NSID	0401-001056	DIODE-SWITCHING;MMBD4148SE,100V,200mA,SO	1	S.A	
...4	D3026_NSID	0401-001056	DIODE-SWITCHING;MMBD4148SE,100V,200mA,SO	1	S.A	
...4	D3027_NSID	0401-001056	DIODE-SWITCHING;MMBD4148SE,100V,200mA,SO	1	S.A	
...4	D3036_NT	0401-001056	DIODE-SWITCHING;MMBD4148SE,100V,200mA,SO	1	S.A	
...4	D3037_NT	0401-001056	DIODE-SWITCHING;MMBD4148SE,100V,200mA,SO	1	S.A	
...4	D3038_NT	0401-001056	DIODE-SWITCHING;MMBD4148SE,100V,200mA,SO	1	S.A	
...4	D3043	0401-001056	DIODE-SWITCHING;MMBD4148SE,100V,200mA,SO	1	S.A	
...4	D3050	0401-001056	DIODE-SWITCHING;MMBD4148SE,100V,200mA,SO	1	S.A	
...4	D3053	0401-001056	DIODE-SWITCHING;MMBD4148SE,100V,200mA,SO	1	S.A	
...4	D3055_NSID	0401-001056	DIODE-SWITCHING;MMBD4148SE,100V,200mA,SO	1	S.A	
...4	D3056	0401-001056	DIODE-SWITCHING;MMBD4148SE,100V,200mA,SO	1	S.A	
...4	D3057_NSID	0401-001056	DIODE-SWITCHING;MMBD4148SE,100V,200mA,SO	1	S.A	
...4	D3060	0401-001056	DIODE-SWITCHING;MMBD4148SE,100V,200mA,SO	1	S.A	
...4	D3061	0401-001056	DIODE-SWITCHING;MMBD4148SE,100V,200mA,SO	1	S.A	
...4	D3062_NSID	0401-001056	DIODE-SWITCHING;MMBD4148SE,100V,200mA,SO	1	S.A	
...4	D3064	0401-001056	DIODE-SWITCHING;MMBD4148SE,100V,200mA,SO	1	S.A	
...4	D3065	0401-001056	DIODE-SWITCHING;MMBD4148SE,100V,200mA,SO	1	S.A	
...4	D3067	0401-001056	DIODE-SWITCHING;MMBD4148SE,100V,200mA,SO	1	S.A	
...4	D3068	0401-001056	DIODE-SWITCHING;MMBD4148SE,100V,200mA,SO	1	S.A	
...4	D3069	0401-001056	DIODE-SWITCHING;MMBD4148SE,100V,200mA,SO	1	S.A	
...4	D3074	0401-001056	DIODE-SWITCHING;MMBD4148SE,100V,200mA,SO	1	S.A	
...4	D3075	0401-001056	DIODE-SWITCHING;MMBD4148SE,100V,200mA,SO	1	S.A	
...4	D3076	0401-001056	DIODE-SWITCHING;MMBD4148SE,100V,200mA,SO	1	S.A	
...4	D3082	0401-001056	DIODE-SWITCHING;MMBD4148SE,100V,200mA,SO	1	S.A	
...4	D3083	0401-001056	DIODE-SWITCHING;MMBD4148SE,100V,200mA,SO	1	S.A	
...4	D3085	0401-001056	DIODE-SWITCHING;MMBD4148SE,100V,200mA,SO	1	S.A	
...4	D3086	0401-001056	DIODE-SWITCHING;MMBD4148SE,100V,200mA,SO	1	S.A	
...4	D3087	0401-001056	DIODE-SWITCHING;MMBD4148SE,100V,200mA,SO	1	S.A	
...4	D3089	0401-001056	DIODE-SWITCHING;MMBD4148SE,100V,200mA,SO	1	S.A	
...4	D3092	0401-001056	DIODE-SWITCHING;MMBD4148SE,100V,200mA,SO	1	S.A	
...4	D3095	0401-001056	DIODE-SWITCHING;MMBD4148SE,100V,200mA,SO	1	S.A	
...4	D3099	0401-001056	DIODE-SWITCHING;MMBD4148SE,100V,200mA,SO	1	S.A	
...4	D3102	0401-001056	DIODE-SWITCHING;MMBD4148SE,100V,200mA,SO	1	S.A	
...4	D3200	0401-001056	DIODE-SWITCHING;MMBD4148SE,100V,200mA,SO	1	S.A	
...4	D3201	0401-001056	DIODE-SWITCHING;MMBD4148SE,100V,200mA,SO	1	S.A	
...4	D3210_L	0401-001056	DIODE-SWITCHING;MMBD4148SE,100V,200mA,SO	1	S.A	
...4	D3211_L	0401-001056	DIODE-SWITCHING;MMBD4148SE,100V,200mA,SO	1	S.A	
...4	D3212_L	0401-001056	DIODE-SWITCHING;MMBD4148SE,100V,200mA,SO	1	S.A	
...4	D5002_CEC	0401-001056	DIODE-SWITCHING;MMBD4148SE,100V,200mA,SO	1	S.A	
...4	D2004	0401-001099	DIODE-SWITCHING;1N4148WS,75V,150mA,SOD-3	1	S.A	
...4	D2005	0401-001099	DIODE-SWITCHING;1N4148WS,75V,150mA,SOD-3	1	S.A	
...4	D2007	0401-001099	DIODE-SWITCHING;1N4148WS,75V,150mA,SOD-3	1	S.A	
...4	D2008	0401-001099	DIODE-SWITCHING;1N4148WS,75V,150mA,SOD-3	1	S.A	
...4	D2010	0401-001099	DIODE-SWITCHING;1N4148WS,75V,150mA,SOD-3	1	S.A	
...4	D5003	0401-001099	DIODE-SWITCHING;1N4148WS,75V,150mA,SOD-3	1	S.A	

5. Exploded View & Part List

Level	Location No.	Code No.	Description & Specification	Q'ty	SA/SNA	Remark
...4	D5004	0401-001099	DIODE-SWITCHING;1N4148WS,75V,150mA,SOD-3	1	S.A	
...4	D5006	0401-001099	DIODE-SWITCHING;1N4148WS,75V,150mA,SOD-3	1	S.A	
...4	D2006	0403-000002	DIODE-ZENER;VLZ5V6B,5.45/5.73V,500mW,SOD	1	S.A	
...4	D3009	0403-000002	DIODE-ZENER;VLZ5V6B,5.45/5.73V,500mW,SOD	1	S.A	
...4	D3034	0403-000002	DIODE-ZENER;VLZ5V6B,5.45/5.73V,500mW,SOD	1	S.A	
...4	D3035	0403-000002	DIODE-ZENER;VLZ5V6B,5.45/5.73V,500mW,SOD	1	S.A	
...4	D3045_NSID	0403-000002	DIODE-ZENER;VLZ5V6B,5.45/5.73V,500mW,SOD	1	S.A	
...4	D3052_NSID	0403-000002	DIODE-ZENER;VLZ5V6B,5.45/5.73V,500mW,SOD	1	S.A	
...4	D3058	0403-000002	DIODE-ZENER;VLZ5V6B,5.45/5.73V,500mW,SOD	1	S.A	
...4	D3059_NSID	0403-000002	DIODE-ZENER;VLZ5V6B,5.45/5.73V,500mW,SOD	1	S.A	
...4	D3070	0403-000002	DIODE-ZENER;VLZ5V6B,5.45/5.73V,500mW,SOD	1	S.A	
...4	D3071	0403-000002	DIODE-ZENER;VLZ5V6B,5.45/5.73V,500mW,SOD	1	S.A	
...4	D3072	0403-000002	DIODE-ZENER;VLZ5V6B,5.45/5.73V,500mW,SOD	1	S.A	
...4	D3073	0403-000002	DIODE-ZENER;VLZ5V6B,5.45/5.73V,500mW,SOD	1	S.A	
...4	D3078	0403-000002	DIODE-ZENER;VLZ5V6B,5.45/5.73V,500mW,SOD	1	S.A	
...4	D3080	0403-000002	DIODE-ZENER;VLZ5V6B,5.45/5.73V,500mW,SOD	1	S.A	
...4	D3046	0403-000771	DIODE-ZENER;VLZ6V2B,5.96-6.27V,500mW,SOD	1	S.A	
...4	D3081	0403-000771	DIODE-ZENER;VLZ6V2B,5.96-6.27V,500mW,SOD	1	S.A	
...4	D3106	0403-000771	DIODE-ZENER;VLZ6V2B,5.96-6.27V,500mW,SOD	1	S.A	
...4	D3023	0403-001052	DIODE-ZENER;RD8.2MB,7.7-8.7V,200mW,SOT-2	1	S.A	
...4	D1011	0403-001425	DIODE-ZENER;BZX84C33,31-35V,350mW,SOT-23	1	S.A	
...4	D0254	0404-001020	DIODE-SCHOTTKY;BAT54C,30V,200mA,SOT-23,T	1	S.A	
...4	D0254	0404-001020	DIODE-SCHOTTKY;BAT54C,30V,200mA,SOT-23,T	1	S.A	
...4	D0254	0404-001020	DIODE-SCHOTTKY;BAT54C,30V,200mA,SOT-23,T	1	S.A	
...4	D3004	0406-001172	DIODE-TVS;CDS3C30GTH,48/-/50V,SMD	1	S.A	
...4	D3005	0406-001172	DIODE-TVS;CDS3C30GTH,48/-/50V,SMD	1	S.A	
...4	D3007	0406-001172	DIODE-TVS;CDS3C30GTH,48/-/50V,SMD	1	S.A	
...4	D3012	0406-001172	DIODE-TVS;CDS3C30GTH,48/-/50V,SMD	1	S.A	
...4	D3028	0406-001172	DIODE-TVS;CDS3C30GTH,48/-/50V,SMD	1	S.A	
...4	D3029	0406-001172	DIODE-TVS;CDS3C30GTH,48/-/50V,SMD	1	S.A	
...4	D3030	0406-001172	DIODE-TVS;CDS3C30GTH,48/-/50V,SMD	1	S.A	
...4	D3032	0406-001172	DIODE-TVS;CDS3C30GTH,48/-/50V,SMD	1	S.A	
...4	D3040	0406-001172	DIODE-TVS;CDS3C30GTH,48/-/50V,SMD	1	S.A	
...4	D3044	0406-001172	DIODE-TVS;CDS3C30GTH,48/-/50V,SMD	1	S.A	
...4	D3048_NSID	0406-001172	DIODE-TVS;CDS3C30GTH,48/-/50V,SMD	1	S.A	
...4	D3049_NSID	0406-001172	DIODE-TVS;CDS3C30GTH,48/-/50V,SMD	1	S.A	
...4	D3063_NSID	0406-001172	DIODE-TVS;CDS3C30GTH,48/-/50V,SMD	1	S.A	
...4	D3066_NSID	0406-001172	DIODE-TVS;CDS3C30GTH,48/-/50V,SMD	1	S.A	
...4	D3077	0406-001172	DIODE-TVS;CDS3C30GTH,48/-/50V,SMD	1	S.A	
...4	D3079	0406-001172	DIODE-TVS;CDS3C30GTH,48/-/50V,SMD	1	S.A	
...4	D3003	0406-001181	DIODE-TVS;NUP4201MR6,6/-/50V,500W,TSOP-6	1	S.A	
...4	D2003	0407-000123	DIODE-ARRAY;DAN202K,80V,100mA,CA2-3,SOT-	1	S.A	
...4	D2009	0407-000123	DIODE-ARRAY;DAN202K,80V,100mA,CA2-3,SOT-	1	S.A	
...4	Q1011	0501-000445	TR-SMALL SIGNAL;KTC3875S-Y,NPN,150mW,SOT	1	S.A	
...4	Q2002	0501-000445	TR-SMALL SIGNAL;KTC3875S-Y,NPN,150mW,SOT	1	S.A	
...4	Q3001	0501-000445	TR-SMALL SIGNAL;KTC3875S-Y,NPN,150mW,SOT	1	S.A	
...4	Q3008	0501-000445	TR-SMALL SIGNAL;KTC3875S-Y,NPN,150mW,SOT	1	S.A	
...4	Q3009	0501-000445	TR-SMALL SIGNAL;KTC3875S-Y,NPN,150mW,SOT	1	S.A	
...4	Q3010	0501-000445	TR-SMALL SIGNAL;KTC3875S-Y,NPN,150mW,SOT	1	S.A	
...4	Q3013	0501-000445	TR-SMALL SIGNAL;KTC3875S-Y,NPN,150mW,SOT	1	S.A	
...4	Q3020	0501-000445	TR-SMALL SIGNAL;KTC3875S-Y,NPN,150mW,SOT	1	S.A	

5. Exploded View & Part List

Level	Location No.	Code No.	Description & Specification	Q'ty	SA/SNA	Remark
...4	Q3027_L	0501-000445	TR-SMALL SIGNAL;KTC3875S-Y,NPN,150mW,SOT	1	S.A	
...4	Q3028_L	0501-000445	TR-SMALL SIGNAL;KTC3875S-Y,NPN,150mW,SOT	1	S.A	
...4	Q3030_L	0501-000445	TR-SMALL SIGNAL;KTC3875S-Y,NPN,150mW,SOT	1	S.A	
...4	Q5004	0501-000445	TR-SMALL SIGNAL;KTC3875S-Y,NPN,150mW,SOT	1	S.A	
...4	Q5030	0501-000445	TR-SMALL SIGNAL;KTC3875S-Y,NPN,150mW,SOT	1	S.A	
...4	Q6001_L	0501-000445	TR-SMALL SIGNAL;KTC3875S-Y,NPN,150mW,SOT	1	S.A	
...4	Q2001	0501-000669	TR-SMALL SIGNAL;KTA1505Y,PNP,150mW,SOT-2	1	S.A	
...4	Q2003	0501-000669	TR-SMALL SIGNAL;KTA1505Y,PNP,150mW,SOT-2	1	S.A	
...4	Q3029_L	0501-000669	TR-SMALL SIGNAL;KTA1505Y,PNP,150mW,SOT-2	1	S.A	
...4	Q1001_L	0501-002080	TR-SMALL SIGNAL;2SC2412K,NPN,200mW,SC-59	1	S.A	
...4	Q1007_NAL	0501-002080	TR-SMALL SIGNAL;2SC2412K,NPN,200mW,SC-59	1	S.A	
...4	Q1010_L50	0501-002080	TR-SMALL SIGNAL;2SC2412K,NPN,200mW,SC-59	1	S.A	
...4	Q1012_HY	0501-002080	TR-SMALL SIGNAL;2SC2412K,NPN,200mW,SC-59	1	S.A	
...4	Q3015	0501-002184	TR-SMALL SIGNAL;KTD1304,NPN,200mW,SOT-23	1	S.A	
...4	Q3016	0501-002184	TR-SMALL SIGNAL;KTD1304,NPN,200mW,SOT-23	1	S.A	
...4	Q409	0505-000110	FET-SILICON;2N7002,N,60V,115mA,7.5ohm,0.	1	S.A	
...4	Q409	0505-000110	FET-SILICON;2N7002,N,60V,115mA,7.5ohm,0.	1	S.A	
...4	Q409	0505-000110	FET-SILICON;2N7002,N,60V,115mA,7.5ohm,0.	1	S.A	
...4	Q409	0505-000110	FET-SILICON;2N7002,N,60V,115mA,7.5ohm,0.	1	S.A	
...4	Q409	0505-000110	FET-SILICON;2N7002,N,60V,115mA,7.5ohm,0.	1	S.A	
...4	Q409	0505-000110	FET-SILICON;2N7002,N,60V,115mA,7.5ohm,0.	1	S.A	
...4	Q409	0505-000110	FET-SILICON;2N7002,N,60V,115mA,7.5ohm,0.	1	S.A	
...4	Q409	0505-000110	FET-SILICON;2N7002,N,60V,115mA,7.5ohm,0.	1	S.A	
...4	Q409	0505-001170	FET-SILICON;SI9933ADY-T1,P,-20V,3.4A,0.0	1	S.A	
...4	IC5008	1001-001109	IC-ANALOG SWITCH;FST3125M,BUS SWITCH & C	1	S.A	
...4	IC106	1001-001513	IC-VIDEO SWITCH;TMDS351PAG,TQFP,64P,9x9mm	1	S.A	
...4	IC2002	1002-001509	IC-A/D&D/A CONVERTER;MT8291,24bit,LQFP,4	1	S.A	
...4	IC112	1103-000129	IC-EEPROM;24C02,2Kbit,256x8Bit,SOP,8P,5x	1	S.A	
...4	IC112	1103-000129	IC-EEPROM;24C02,2Kbit,256x8Bit,SOP,8P,5x	1	S.A	
...4	IC112	1103-000129	IC-EEPROM;24C02,2Kbit,256x8Bit,SOP,8P,5x	1	S.A	
...4	IC112	1103-000129	IC-EEPROM;24C02,2Kbit,256x8Bit,SOP,8P,5x	1	S.A	
...4	IC112	1103-001385	IC-EEPROM;AT24C256,256Kbit,32Kx8,SOP,8P,	1	S.A	
...4	IC113	1105-001828	IC-DRAM;HYB18TC256160BF,DDR2,256Mbit,16M	1	S.A	
...4	IC113	1105-001828	IC-DRAM;HYB18TC256160BF,DDR2,256Mbit,16M	1	S.A	
...4	DU410	1201-000166	IC-OP AMP;LM358,SOP,ST,8P,150MIL,DUAL,10	1	S.A	
...4	T0124	1201-002677	IC-POWER AMP;NTP3100,QFN56,56P,8x8mm,DUA	1	S.A	
...4	T0087	1203-001815	IC-POSI.FIXED REG.;78M09,TO-252,3P,-,PLA	1	S.A	
...4	T0087	1203-002842	IC-POSI.FIXED REG.;AP1117D-33A,TO-252,3P	1	S.A	
...4	IC012	1203-002995	IC-POSI.ADJUST REG.;AP1117D-A,TO-252,3P,	1	S.A	
...4	IC012	1203-002995	IC-POSI.ADJUST REG.;AP1117D-A,TO-252,3P,	1	S.A	
...4	IC012	1203-002995	IC-POSI.ADJUST REG.;AP1117D-A,TO-252,3P,	1	S.A	
...4	IC012	1203-002995	IC-POSI.ADJUST REG.;AP1117D-A,TO-252,3P,	1	S.A	
...4	IC012	1203-002995	IC-POSI.ADJUST REG.;AP1117D-A,TO-252,3P,	1	S.A	
...4	IC3007	1203-003394	IC-POWER SUPERVISOR;MIC2544-1YM,SOP,8P,4	1	S.A	
...4	IC5001	1203-004363	IC-VOL. DETECTOR;RT9818C-29PV,SOT-23,3P,	1	S.A	
...4	IC2003	1203-004364	IC-VOL. DETECTOR;RT9818C-42PV,SOT-23,3P,	1	S.A	
...4	IC1005	1203-005188	IC-DC/DC CONVERTER;AOZ1021AIL,SOP,8P,4.9	1	S.A	
...4	IC1019	1203-005188	IC-DC/DC CONVERTER;AOZ1021AIL,SOP,8P,4.9	1	S.A	
...4	IC118	1204-002779	IC-VIDEO PROCESS;S4LF122X01,PBGA,208P,17	1	S.A	
...4	IC118	1204-002869	IC-VIDEO PROCESS;MT8226FJ,BGA,569P,31x31	1	S.A	
...4	IC3017	1205-003201	IC-BUS SWITCH;TC7WB125FK,SSOP,8P,2x2.3mm	1	S.A	
...4	IC3018	1205-003201	IC-BUS SWITCH;TC7WB125FK,SSOP,8P,2x2.3mm	1	S.A	

5. Exploded View & Part List

Level	Location No.	Code No.	Description & Specification	Q'ty	SA/SNA	Remark
....4	IC3019	1205-003201	IC-BUS SWITCH;TC7WB125FK,SSOP,8P,2x2.3mm	1	S.A	
....4	D3107	1405-001185	VARISTOR;24Vdc,1.6x0.8x0.36mm,TP	1	S.A	
....4	D3108	1405-001185	VARISTOR;24Vdc,1.6x0.8x0.36mm,TP	1	S.A	
....4	D3110_NSID	1405-001185	VARISTOR;24Vdc,1.6x0.8x0.36mm,TP	1	S.A	
....4	D5018	1405-001185	VARISTOR;24Vdc,1.6x0.8x0.36mm,TP	1	S.A	
....4	R110	2007-000043	R-CHIP;1Kohm,1%,1/10W,TP,1608	1	S.A	
....4	R110	2007-000043	R-CHIP;1Kohm,1%,1/10W,TP,1608	1	S.A	
....4	R110	2007-000052	R-CHIP;10Kohm,1%,1/10W,TP,1608	1	S.A	
....4	R110	2007-000052	R-CHIP;10Kohm,1%,1/10W,TP,1608	1	S.A	
....4	R110	2007-000052	R-CHIP;10Kohm,1%,1/10W,TP,1608	1	S.A	
....4	R110	2007-000066	R-CHIP;20Kohm,1%,1/10W,TP,1608	1	S.A	
....4	R110	2007-000066	R-CHIP;20Kohm,1%,1/10W,TP,1608	1	S.A	
....4	R110	2007-000071	R-CHIP;22ohm,5%,1/10W,TP,1608	1	S.A	
....4	R110	2007-000071	R-CHIP;22ohm,5%,1/10W,TP,1608	1	S.A	
....4	R110	2007-000071	R-CHIP;22ohm,5%,1/10W,TP,1608	1	S.A	
....4	R110	2007-000071	R-CHIP;22ohm,5%,1/10W,TP,1608	1	S.A	
....4	R110	2007-000074	R-CHIP;100ohm,5%,1/10W,TP,1608	1	S.A	
....4	R110	2007-000074	R-CHIP;100ohm,5%,1/10W,TP,1608	1	S.A	
....4	R110	2007-000074	R-CHIP;100ohm,5%,1/10W,TP,1608	1	S.A	
....4	R110	2007-000074	R-CHIP;100ohm,5%,1/10W,TP,1608	1	S.A	
....4	R110	2007-000074	R-CHIP;100ohm,5%,1/10W,TP,1608	1	S.A	
....4	R110	2007-000074	R-CHIP;100ohm,5%,1/10W,TP,1608	1	S.A	
....4	R110	2007-000074	R-CHIP;100ohm,5%,1/10W,TP,1608	1	S.A	
....4	R110	2007-000074	R-CHIP;100ohm,5%,1/10W,TP,1608	1	S.A	
....4	R110	2007-000074	R-CHIP;100ohm,5%,1/10W,TP,1608	1	S.A	
....4	R110	2007-000074	R-CHIP;100ohm,5%,1/10W,TP,1608	1	S.A	
....4	R110	2007-000074	R-CHIP;100ohm,5%,1/10W,TP,1608	1	S.A	
....4	R110	2007-000074	R-CHIP;100ohm,5%,1/10W,TP,1608	1	S.A	
....4	R110	2007-000074	R-CHIP;100ohm,5%,1/10W,TP,1608	1	S.A	
....4	R110	2007-000074	R-CHIP;100ohm,5%,1/10W,TP,1608	1	S.A	
....4	R110	2007-000074	R-CHIP;100ohm,5%,1/10W,TP,1608	1	S.A	
....4	R110	2007-000074	R-CHIP;100ohm,5%,1/10W,TP,1608	1	S.A	
....4	R110	2007-000074	R-CHIP;100ohm,5%,1/10W,TP,1608	1	S.A	
....4	R110	2007-000074	R-CHIP;100ohm,5%,1/10W,TP,1608	1	S.A	
....4	R110	2007-000074	R-CHIP;100ohm,5%,1/10W,TP,1608	1	S.A	
....4	R110	2007-000074	R-CHIP;100ohm,5%,1/10W,TP,1608	1	S.A	
....4	R110	2007-000076	R-CHIP;330ohm,5%,1/10W,TP,1608	1	S.A	
....4	R110	2007-000077	R-CHIP;470ohm,5%,1/10W,TP,1608	1	S.A	
....4	R110	2007-000077	R-CHIP;470ohm,5%,1/10W,TP,1608	1	S.A	
....4	R110	2007-000077	R-CHIP;470ohm,5%,1/10W,TP,1608	1	S.A	
....4	R110	2007-000078	R-CHIP;1Kohm,5%,1/10W,TP,1608	1	S.A	
....4	R110	2007-000078	R-CHIP;1Kohm,5%,1/10W,TP,1608	1	S.A	
....4	R110	2007-000082	R-CHIP;3.3Kohm,5%,1/10W,TP,1608	1	S.A	
....4	R110	2007-000082	R-CHIP;3.3Kohm,5%,1/10W,TP,1608	1	S.A	
....4	R110	2007-000082	R-CHIP;3.3Kohm,5%,1/10W,TP,1608	1	S.A	
....4	R110	2007-000083	R-CHIP;3Kohm,5%,1/10W,TP,1608	1	S.A	
....4	R110	2007-000084	R-CHIP;4.7Kohm,5%,1/10W,TP,1608	1	S.A	
....4	R110	2007-000084	R-CHIP;4.7Kohm,5%,1/10W,TP,1608	1	S.A	
....4	R110	2007-000084	R-CHIP;4.7Kohm,5%,1/10W,TP,1608	1	S.A	
....4	R110	2007-000084	R-CHIP;4.7Kohm,5%,1/10W,TP,1608	1	S.A	
....4	R110	2007-000084	R-CHIP;4.7Kohm,5%,1/10W,TP,1608	1	S.A	
....4	R110	2007-000084	R-CHIP;4.7Kohm,5%,1/10W,TP,1608	1	S.A	
....4	R110	2007-000084	R-CHIP;4.7Kohm,5%,1/10W,TP,1608	1	S.A	
....4	R110	2007-000084	R-CHIP;4.7Kohm,5%,1/10W,TP,1608	1	S.A	
....4	R110	2007-000090	R-CHIP;10Kohm,5%,1/10W,TP,1608	1	S.A	
....4	R110	2007-000090	R-CHIP;10Kohm,5%,1/10W,TP,1608	1	S.A	
....4	R110	2007-000090	R-CHIP;10Kohm,5%,1/10W,TP,1608	1	S.A	

5. Exploded View & Part List

Level	Location No.	Code No.	Description & Specification	Q'ty	SA/SNA	Remark
....4	R110	2007-000606	R-CHIP;240ohm,1%,1/10W,TP,1608	1	S.A	
....4	R110	2007-000606	R-CHIP;240ohm,1%,1/10W,TP,1608	1	S.A	
....4	R110	2007-000651	R-CHIP;27Kohm,1%,1/10W,TP,1608	1	S.A	
....4	R110	2007-000726	R-CHIP;300ohm,1%,1/10W,TP,1608	1	S.A	
....4	R110	2007-000763	R-CHIP;330ohm,1%,1/10W,TP,1608	1	S.A	
....4	R110	2007-000869	R-CHIP;4.7Kohm,1%,1/10W,TP,1608	1	S.A	
....4	R110	2007-000962	R-CHIP;5.1Kohm,1%,1/10W,TP,1608	1	S.A	
....4	R110	2007-000979	R-CHIP;5.6Kohm,1%,1/10W,TP,1608	1	S.A	
....4	R110	2007-000987	R-CHIP;5.6OHM,5%,1/10W,TP,1608	1	S.A	
....4	R110	2007-000987	R-CHIP;5.6OHM,5%,1/10W,TP,1608	1	S.A	
....4	R110	2007-000987	R-CHIP;5.6OHM,5%,1/10W,TP,1608	1	S.A	
....4	R110	2007-000987	R-CHIP;5.6OHM,5%,1/10W,TP,1608	1	S.A	
....4	R110	2007-000999	R-CHIP;510ohm,1%,1/10W,TP,1608	1	S.A	
....4	R110	2007-000999	R-CHIP;510ohm,1%,1/10W,TP,1608	1	S.A	
....4	R110	2007-001002	R-CHIP;510ohm,5%,1/10W,TP,1608	1	S.A	
....4	R110	2007-001002	R-CHIP;510ohm,5%,1/10W,TP,1608	1	S.A	
....4	R110	2007-001010	R-CHIP;51Kohm,5%,1/10W,TP,1608	1	S.A	
....4	R110	2007-001167	R-CHIP;75ohm,5%,1/10W,TP,1608	1	S.A	
....4	R110	2007-001167	R-CHIP;75ohm,5%,1/10W,TP,1608	1	S.A	
....4	R110	2007-001167	R-CHIP;75ohm,5%,1/10W,TP,1608	1	S.A	
....4	R110	2007-001292	R-CHIP;33ohm,5%,1/16W,TP,1005	1	S.N.A	
....4	R110	2007-001292	R-CHIP;33ohm,5%,1/16W,TP,1005	1	S.N.A	
....4	R110	2007-001292	R-CHIP;33ohm,5%,1/16W,TP,1005	1	S.N.A	
....4	R110	2007-001292	R-CHIP;33ohm,5%,1/16W,TP,1005	1	S.N.A	
....4	R110	2007-001292	R-CHIP;33ohm,5%,1/16W,TP,1005	1	S.N.A	
....4	R110	2007-001292	R-CHIP;33ohm,5%,1/16W,TP,1005	1	S.N.A	
....4	R110	2007-001292	R-CHIP;33ohm,5%,1/16W,TP,1005	1	S.N.A	
....4	R110	2007-001292	R-CHIP;33ohm,5%,1/16W,TP,1005	1	S.N.A	
....4	R110	2007-001292	R-CHIP;33ohm,5%,1/16W,TP,1005	1	S.N.A	
....4	R110	2007-001292	R-CHIP;33ohm,5%,1/16W,TP,1005	1	S.N.A	
....4	R110	2007-001292	R-CHIP;33ohm,5%,1/16W,TP,1005	1	S.N.A	
....4	R110	2007-001292	R-CHIP;33ohm,5%,1/16W,TP,1005	1	S.N.A	
....4	R110	2007-001292	R-CHIP;33ohm,5%,1/16W,TP,1005	1	S.N.A	
....4	R110	2007-001308	R-CHIP;200ohm,5%,1/16W,TP,1005	1	S.N.A	
....4	R110	2007-001308	R-CHIP;200ohm,5%,1/16W,TP,1005	1	S.N.A	
....4	R110	2007-001308	R-CHIP;200ohm,5%,1/16W,TP,1005	1	S.N.A	
....4	R110	2007-001308	R-CHIP;200ohm,5%,1/16W,TP,1005	1	S.N.A	
....4	R110	2007-001308	R-CHIP;200ohm,5%,1/16W,TP,1005	1	S.N.A	
....4	R110	2007-001325	R-CHIP;3.3Kohm,5%,1/16W,TP,1005	1	S.N.A	
....4	R110	2007-001325	R-CHIP;3.3Kohm,5%,1/16W,TP,1005	1	S.N.A	
....4	R110	2007-003112	R-CHIP;27ohm,5%,1/16W,TP,1005	1	S.N.A	
....4	R110	2007-007096	R-CHIP;160ohm,5%,1/16W,TP,1005	1	S.N.A	
....4	R110	2007-007297	R-CHIP;110ohm,1%,1/10W,TP,1608	1	S.A	
....4	R110	2007-007297	R-CHIP;110ohm,1%,1/10W,TP,1608	1	S.A	
....4	R110	2007-007306	R-CHIP;100ohm,1%,1/16W,TP,1005	1	S.N.A	
....4	R110	2007-007306	R-CHIP;100ohm,1%,1/16W,TP,1005	1	S.N.A	
....4	R110	2007-007306	R-CHIP;100ohm,1%,1/16W,TP,1005	1	S.N.A	
....4	R110	2007-007306	R-CHIP;100ohm,1%,1/16W,TP,1005	1	S.N.A	
....4	R110	2007-007306	R-CHIP;100ohm,1%,1/16W,TP,1005	1	S.N.A	
....4	R110	2007-007306	R-CHIP;100ohm,1%,1/16W,TP,1005	1	S.N.A	
....4	R110	2007-007306	R-CHIP;100ohm,1%,1/16W,TP,1005	1	S.N.A	
....4	R110	2007-007528	R-CHIP;1.5Kohm,1%,1/16W,TP,1005	1	S.A	

5. Exploded View & Part List

Level	Location No.	Code No.	Description & Specification	Q'ty	SA/SNA	Remark
...4	R110	2007-008015	R-CHIP;75ohm,1%,1/16W,TP,1005	1	S.N.A	
...4	R110	2007-008015	R-CHIP;75ohm,1%,1/16W,TP,1005	1	S.N.A	
...4	R110	2007-008015	R-CHIP;75ohm,1%,1/16W,TP,1005	1	S.N.A	
...4	R110	2007-008015	R-CHIP;75ohm,1%,1/16W,TP,1005	1	S.N.A	
...4	R110	2007-008015	R-CHIP;75ohm,1%,1/16W,TP,1005	1	S.N.A	
...4	R110	2007-008015	R-CHIP;75ohm,1%,1/16W,TP,1005	1	S.N.A	
...4	R110	2007-008015	R-CHIP;75ohm,1%,1/16W,TP,1005	1	S.N.A	
...4	R110	2007-008015	R-CHIP;75ohm,1%,1/16W,TP,1005	1	S.N.A	
...4	R110	2007-008015	R-CHIP;75ohm,1%,1/16W,TP,1005	1	S.N.A	
...4	R110	2007-008015	R-CHIP;75ohm,1%,1/16W,TP,1005	1	S.N.A	
...4	R110	2007-008015	R-CHIP;75ohm,1%,1/16W,TP,1005	1	S.N.A	
...4	R110	2007-008015	R-CHIP;75ohm,1%,1/16W,TP,1005	1	S.N.A	
...4	R5148	2011-001001	R-NETWORK;0ohm,5%,1/16W,L,CHIP,8P,TP,3.2	1	S.A	
...4	RA5070	2011-001001	R-NETWORK;0ohm,5%,1/16W,L,CHIP,8P,TP,3.2	1	S.A	
...4	RA5071	2011-001001	R-NETWORK;0ohm,5%,1/16W,L,CHIP,8P,TP,3.2	1	S.A	
...4	RA5072	2011-001001	R-NETWORK;0ohm,5%,1/16W,L,CHIP,8P,TP,3.2	1	S.A	
...4	RA5073	2011-001001	R-NETWORK;0ohm,5%,1/16W,L,CHIP,8P,TP,3.2	1	S.A	
...4	RA5074	2011-001001	R-NETWORK;0ohm,5%,1/16W,L,CHIP,8P,TP,3.2	1	S.A	
...4	RA5075	2011-001001	R-NETWORK;0ohm,5%,1/16W,L,CHIP,8P,TP,3.2	1	S.A	
...4	RA5144	2011-001001	R-NETWORK;0ohm,5%,1/16W,L,CHIP,8P,TP,3.2	1	S.A	
...4	RA5145	2011-001001	R-NETWORK;0ohm,5%,1/16W,L,CHIP,8P,TP,3.2	1	S.A	
...4	RA5146	2011-001001	R-NETWORK;0ohm,5%,1/16W,L,CHIP,8P,TP,3.2	1	S.A	
...4	RA5147	2011-001001	R-NETWORK;0ohm,5%,1/16W,L,CHIP,8P,TP,3.2	1	S.A	
...4	RA6001_FBE	2011-001001	R-NETWORK;0ohm,5%,1/16W,L,CHIP,8P,TP,3.2	1	S.A	
...4	RA6074	2011-001001	R-NETWORK;0ohm,5%,1/16W,L,CHIP,8P,TP,3.2	1	S.A	
...4	RA6075	2011-001001	R-NETWORK;0ohm,5%,1/16W,L,CHIP,8P,TP,3.2	1	S.A	
...4	RA6078	2011-001001	R-NETWORK;0ohm,5%,1/16W,L,CHIP,8P,TP,3.2	1	S.A	
...4	RA6079	2011-001001	R-NETWORK;0ohm,5%,1/16W,L,CHIP,8P,TP,3.2	1	S.A	
...4	R5162	2011-001011	R-NETWORK;10Kohm,5%,1/16W,L,CHIP,8P,TP,3	1	S.A	
...4	C120	2203-000125	C-CER,CHIP;1.2nF,10%,50V,X7R,TP,1608,-	1	S.A	
...4	C120	2203-000125	C-CER,CHIP;1.2nF,10%,50V,X7R,TP,1608,-	1	S.A	
...4	C120	2203-000125	C-CER,CHIP;1.2nF,10%,50V,X7R,TP,1608,-	1	S.A	
...4	C120	2203-000125	C-CER,CHIP;1.2nF,10%,50V,X7R,TP,1608,-	1	S.A	
...4	C120	2203-000189	C-CER,CHIP;100nF,+80-20%,25V,Y5V,1608	1	S.A	
...4	C120	2203-000189	C-CER,CHIP;100nF,+80-20%,25V,Y5V,1608	1	S.A	
...4	C120	2203-000189	C-CER,CHIP;100nF,+80-20%,25V,Y5V,1608	1	S.A	
...4	C120	2203-000189	C-CER,CHIP;100nF,+80-20%,25V,Y5V,1608	1	S.A	
...4	C120	2203-000189	C-CER,CHIP;100nF,+80-20%,25V,Y5V,1608	1	S.A	
...4	C120	2203-000189	C-CER,CHIP;100nF,+80-20%,25V,Y5V,1608	1	S.A	
...4	C120	2203-000189	C-CER,CHIP;100nF,+80-20%,25V,Y5V,1608	1	S.A	
...4	C120	2203-000233	C-CER,CHIP;0.1nF,5%,50V,C0G,1005	1	S.A	
...4	C120	2203-000233	C-CER,CHIP;0.1nF,5%,50V,C0G,1005	1	S.A	
...4	C120	2203-000233	C-CER,CHIP;0.1nF,5%,50V,C0G,1005	1	S.A	
...4	C120	2203-000233	C-CER,CHIP;0.1nF,5%,50V,C0G,1005	1	S.A	
...4	C120	2203-000233	C-CER,CHIP;0.1nF,5%,50V,C0G,1005	1	S.A	
...4	C120	2203-000233	C-CER,CHIP;0.1nF,5%,50V,C0G,1005	1	S.A	
...4	C120	2203-000233	C-CER,CHIP;0.1nF,5%,50V,C0G,1005	1	S.A	
...4	C120	2203-000233	C-CER,CHIP;0.1nF,5%,50V,C0G,1005	1	S.A	
...4	C120	2203-000233	C-CER,CHIP;0.1nF,5%,50V,C0G,1005	1	S.A	
...4	C120	2203-000233	C-CER,CHIP;0.1nF,5%,50V,C0G,1005	1	S.A	
...4	C120	2203-000236	C-CER,CHIP;0.1nF,5%,50V,C0G,1608	1	S.A	
...4	C120	2203-000257	C-CER,CHIP;10nF,10%,50V,X7R,TP,1608	1	S.A	
...4	C120	2203-000257	C-CER,CHIP;10nF,10%,50V,X7R,TP,1608	1	S.A	

Level	Location No.	Code No.	Description & Specification	Q'ty	SA/SNA	Remark
....4	C120	2203-006681	C-CER,CHIP;100nF,+80-20%,25V,Y5V,1005	1	S.N.A	
....4	C120	2203-006681	C-CER,CHIP;100nF,+80-20%,25V,Y5V,1005	1	S.N.A	
....4	C120	2203-006681	C-CER,CHIP;100nF,+80-20%,25V,Y5V,1005	1	S.N.A	
....4	C120	2203-006681	C-CER,CHIP;100nF,+80-20%,25V,Y5V,1005	1	S.N.A	
....4	C120	2203-006681	C-CER,CHIP;100nF,+80-20%,25V,Y5V,1005	1	S.N.A	
....4	C120	2203-006681	C-CER,CHIP;100nF,+80-20%,25V,Y5V,1005	1	S.N.A	
....4	C120	2203-006681	C-CER,CHIP;100nF,+80-20%,25V,Y5V,1005	1	S.N.A	
....4	C120	2203-006681	C-CER,CHIP;100nF,+80-20%,25V,Y5V,1005	1	S.N.A	
....4	C120	2203-006681	C-CER,CHIP;100nF,+80-20%,25V,Y5V,1005	1	S.N.A	
....4	C120	2203-006681	C-CER,CHIP;100nF,+80-20%,25V,Y5V,1005	1	S.N.A	
....4	C120	2203-006681	C-CER,CHIP;100nF,+80-20%,25V,Y5V,1005	1	S.N.A	
....4	C120	2203-006681	C-CER,CHIP;100nF,+80-20%,25V,Y5V,1005	1	S.N.A	
....4	C120	2203-006681	C-CER,CHIP;100nF,+80-20%,25V,Y5V,1005	1	S.N.A	
....4	C120	2203-006681	C-CER,CHIP;100nF,+80-20%,25V,Y5V,1005	1	S.N.A	
....4	C120	2203-006681	C-CER,CHIP;100nF,+80-20%,25V,Y5V,1005	1	S.N.A	
....4	C120	2203-006681	C-CER,CHIP;100nF,+80-20%,25V,Y5V,1005	1	S.N.A	
....4	C120	2203-006681	C-CER,CHIP;100nF,+80-20%,25V,Y5V,1005	1	S.N.A	
....4	C120	2203-006681	C-CER,CHIP;100nF,+80-20%,25V,Y5V,1005	1	S.N.A	
....4	C120	2203-006681	C-CER,CHIP;100nF,+80-20%,25V,Y5V,1005	1	S.N.A	
....4	C120	2203-006681	C-CER,CHIP;100nF,+80-20%,25V,Y5V,1005	1	S.N.A	
....4	C120	2203-006681	C-CER,CHIP;100nF,+80-20%,25V,Y5V,1005	1	S.N.A	
....4	C120	2203-006681	C-CER,CHIP;100nF,+80-20%,25V,Y5V,1005	1	S.N.A	
....4	C120	2203-006681	C-CER,CHIP;100nF,+80-20%,25V,Y5V,1005	1	S.N.A	
....4	C120	2203-006681	C-CER,CHIP;100nF,+80-20%,25V,Y5V,1005	1	S.N.A	
....4	C120	2203-006681	C-CER,CHIP;100nF,+80-20%,25V,Y5V,1005	1	S.N.A	
....4	C120	2203-007176	C-CER,CHIP;1000nF,10%,16V,X5R,TP,2012 (1	S.N.A	
....4	C2037	2402-001128	C-AL,SMD;100##F,20%,16V,-,TP,6.3X5.7mm	1	S.A	
....4	C2038	2402-001128	C-AL,SMD;100##F,20%,16V,-,TP,6.3X5.7mm	1	S.A	
....4	C3003	2402-001129	C-AL,SMD;47UF,20%,16V,WT,TP,6.3X5.2MM	1	S.A	
....4	C3054	2402-001129	C-AL,SMD;47UF,20%,16V,WT,TP,6.3X5.2MM	1	S.A	
....4	C5023	2402-001160	C-AL,SMD;330UF,20%,16V,WT,TP,1008	1	S.A	
....4	C1048	2402-001183	C-AL,SMD;22UF,20%,16V,WT,TP,5.3X5.3X6MM	1	S.A	
....4	C1061	2402-001183	C-AL,SMD;22UF,20%,16V,WT,TP,5.3X5.3X6MM	1	S.A	
....4	C1007	2402-001257	C-AL,SMD;470uF,20%,16V,-,TP,8.3*10	1	S.A	
....4	C1034	2402-001257	C-AL,SMD;470uF,20%,16V,-,TP,8.3*10	1	S.A	
....4	C1046	2402-001257	C-AL,SMD;470uF,20%,16V,-,TP,8.3*10	1	S.A	
....4	C1011	2402-001323	C-AL,SMD;100##F,20,25V,LZ,TP,6.3X8mm	1	S.A	
....4	C2060	2402-001323	C-AL,SMD;100##F,20,25V,LZ,TP,6.3X8mm	1	S.A	
....4	C2062	2402-001323	C-AL,SMD;100##F,20,25V,LZ,TP,6.3X8mm	1	S.A	
....4	T0052	2703-000125	INDUCTOR-SMD;10uH,10%,2012	1	S.A	
....4	T0052	2703-000125	INDUCTOR-SMD;10uH,10%,2012	1	S.A	
....4	T0052	2703-000417	INDUCTOR-SMD;220uH,5%,3225	1	S.A	
....4	T0052	2703-001426	INDUCTOR-SMD;680uH,20%,7070	1	S.A	
....4	T0052	2703-003362	INDUCTOR-SMD;4.7uH,20%,7070	1	S.A	
....4	T0052	2703-003362	INDUCTOR-SMD;4.7uH,20%,7070	1	S.A	
....4	L2001	2704-000018	INDUCTOR-SMD-ARRAY;15uH,2000mA,2,0.124oh	1	S.N.A	
....4	L2002	2704-000018	INDUCTOR-SMD-ARRAY;15uH,2000mA,2,0.124oh	1	S.N.A	
....4	X202	2801-003326	CRYSTAL-SMD;24MHZ,30PPM,28-ABX,20PF,50OH	1	S.A	
....4	X202	2801-003954	CRYSTAL-SMD;27MHz,30ppm,28-AAN,16pF,50oh	1	S.A	
....4	F103	2901-001302	FILTER-EMI SMD;20V,0.3A,0pF,2.0x1.2x1.3m	1	S.A	
....4	F103	2901-001302	FILTER-EMI SMD;20V,0.3A,0pF,2.0x1.2x1.3m	1	S.A	
....4	F103	2901-001302	FILTER-EMI SMD;20V,0.3A,0pF,2.0x1.2x1.3m	1	S.A	
....4	F103	2901-001302	FILTER-EMI SMD;20V,0.3A,0pF,2.0x1.2x1.3m	1	S.A	
....4	T0568	3301-001145	BEAD-SMD;60ohm,4516,TP,70ohm/45MHz,82ohm	1	S.N.A	

5. Exploded View & Part List

Level	Location No.	Code No.	Description & Specification	Q'ty	SA/SNA	Remark
....4	T0568	3301-001145	BEAD-SMD;60ohm,4516,TP,70ohm/45MHz,82ohm	1	S.N.A	
....4	T0568	3301-001145	BEAD-SMD;60ohm,4516,TP,70ohm/45MHz,82ohm	1	S.N.A	
....4	T0568	3301-001145	BEAD-SMD;60ohm,4516,TP,70ohm/45MHz,82ohm	1	S.N.A	
....4	T0568	3301-001145	BEAD-SMD;60ohm,4516,TP,70ohm/45MHz,82ohm	1	S.N.A	
....4	T0568	3301-001145	BEAD-SMD;60ohm,4516,TP,70ohm/45MHz,82ohm	1	S.N.A	
....4	T0568	3301-001145	BEAD-SMD;60ohm,4516,TP,70ohm/45MHz,82ohm	1	S.N.A	
....4	T0568	3301-001145	BEAD-SMD;60ohm,4516,TP,70ohm/45MHz,82ohm	1	S.N.A	
....4	T0568	3301-001145	BEAD-SMD;60ohm,4516,TP,70ohm/45MHz,82ohm	1	S.N.A	
....4	T0568	3301-001163	BEAD-SMD;80ohm,2012,TP,-,192ohm/867MHz	1	S.N.A	
....4	T0568	3301-001163	BEAD-SMD;80ohm,2012,TP,-,192ohm/867MHz	1	S.N.A	
....4	T0568	3301-001163	BEAD-SMD;80ohm,2012,TP,-,192ohm/867MHz	1	S.N.A	
....4	T0568	3301-001163	BEAD-SMD;80ohm,2012,TP,-,192ohm/867MHz	1	S.N.A	
....4	T0568	3301-001163	BEAD-SMD;80ohm,2012,TP,-,192ohm/867MHz	1	S.N.A	
....4	T0568	3301-001324	BEAD-SMD;15ohm,2012,600mA,TP,,0.1ohm	1	S.A	
....4	T0568	3301-001324	BEAD-SMD;15ohm,2012,600mA,TP,,0.1ohm	1	S.A	
....4	T0568	3301-001324	BEAD-SMD;15ohm,2012,600mA,TP,,0.1ohm	1	S.A	
....4	T0568	3301-001324	BEAD-SMD;15ohm,2012,600mA,TP,,0.1ohm	1	S.A	
....4	T0568	3301-001324	BEAD-SMD;15ohm,2012,600mA,TP,,0.1ohm	1	S.A	
....4	T0568	3301-001324	BEAD-SMD;15ohm,2012,600mA,TP,,0.1ohm	1	S.A	
....4	T0568	3301-001324	BEAD-SMD;15ohm,2012,600mA,TP,,0.1ohm	1	S.A	
....4	T0568	3301-001324	BEAD-SMD;15ohm,2012,600mA,TP,,0.1ohm	1	S.A	
....4	T0568	3301-001324	BEAD-SMD;15ohm,2012,600mA,TP,,0.1ohm	1	S.A	
....4	T0568	3301-001324	BEAD-SMD;15ohm,2012,600mA,TP,,0.1ohm	1	S.A	
....4	T0568	3301-001324	BEAD-SMD;15ohm,2012,600mA,TP,,0.1ohm	1	S.A	
....4	T0568	3301-001324	BEAD-SMD;15ohm,2012,600mA,TP,,0.1ohm	1	S.A	
....4	T0568	3301-001569	BEAD-SMD;600ohm,2012,1000mA,TP,520ohm/90	1	S.N.A	
....4	T0568	3301-001569	BEAD-SMD;600ohm,2012,1000mA,TP,520ohm/90	1	S.N.A	
....4	T0568	3301-001569	BEAD-SMD;600ohm,2012,1000mA,TP,520ohm/90	1	S.N.A	
....4	T0568	3301-001569	BEAD-SMD;600ohm,2012,1000mA,TP,520ohm/90	1	S.N.A	
....4	T0568	3301-001569	BEAD-SMD;600ohm,2012,1000mA,TP,520ohm/90	1	S.N.A	
....4	T0568	3301-001569	BEAD-SMD;600ohm,2012,1000mA,TP,520ohm/90	1	S.N.A	
....4	T0568	3301-001569	BEAD-SMD;600ohm,2012,1000mA,TP,520ohm/90	1	S.N.A	
....4	T0568	3301-001569	BEAD-SMD;600ohm,2012,1000mA,TP,520ohm/90	1	S.N.A	
....4	T0568	3301-001569	BEAD-SMD;600ohm,2012,1000mA,TP,520ohm/90	1	S.N.A	
....4	T0568	3301-001569	BEAD-SMD;600ohm,2012,1000mA,TP,520ohm/90	1	S.N.A	
....4	T0568	3301-001569	BEAD-SMD;600ohm,2012,1000mA,TP,520ohm/90	1	S.N.A	
....4	T0568	3301-001569	BEAD-SMD;600ohm,2012,1000mA,TP,520ohm/90	1	S.N.A	
....4	T0568	3301-001569	BEAD-SMD;600ohm,2012,1000mA,TP,520ohm/90	1	S.N.A	
....4	T0568	3301-001569	BEAD-SMD;600ohm,2012,1000mA,TP,520ohm/90	1	S.N.A	
....4	T0568	3301-001569	BEAD-SMD;600ohm,2012,1000mA,TP,520ohm/90	1	S.N.A	
....4	T0568	3301-001569	BEAD-SMD;600ohm,2012,1000mA,TP,520ohm/90	1	S.N.A	
....4	T0568	3301-001569	BEAD-SMD;600ohm,2012,1000mA,TP,520ohm/90	1	S.N.A	
....4	JA3001	3701-001367	CONNECTOR-HDMI;19P,2R,FEMALE,SMD,AU	1	S.A	
....4	JA3003	3701-001367	CONNECTOR-HDMI;19P,2R,FEMALE,SMD,AU	1	S.A	
....4	T0077	BN41-01019A	PCB MAIN;MT8226 READY PEARL 550/650,FR-4	1	S.N.A	
....4	M0107	BN61-03858A	BRACKET-PCB;L450,BRASS(H62Y),T0.4,5mm,7m	1	S.N.A	
....4	M0107	BN61-03858A	BRACKET-PCB;L450,BRASS(H62Y),T0.4,5mm,7m	1	S.N.A	
....4	M0107	BN61-03858A	BRACKET-PCB;L450,BRASS(H62Y),T0.4,5mm,7m	1	S.N.A	
....4	M0107	BN61-03858A	BRACKET-PCB;L450,BRASS(H62Y),T0.4,5mm,7m	1	S.N.A	
....4	MAIN	BN97-02137A	ASSY MICOM-MAIN;T-PRLMEAM-1000.1,2008-02	1	S.N.A	
....5	IC115	1107-001415	IC-FLASH MEMORY;29W320D,4Mx8/2Mx16Bit,TS	1	S.N.A	
....4	CCMM1	BN97-02138A	ASSY MICOM-SUB;T-PRLPEUS-1000.1,2008-02-	1	S.N.A	
....5	IC520	0903-001552	IC-MICROCONTROLLER;WT61P8-RG480WT,LQFP,4	1	S.A	

5. Exploded View & Part List

Level	Location No.	Code No.	Description & Specification	Q'ty	SA/SNA	Remark
....4	CN330	3711-006374	HEADER-BOARD TO CABLE;BOX,41P,2R,1.25mm,	1	S.A	
0.1	M0019	BN92-03235J	ASSY LABEL;LA37A550P1R*	1	S.N.A	

5-8. LN40A330J1D Parts List

Level	Location No.	Code No.	Description & Specification	Q'ty	SA/SNA	Remark
		LN40A330J1DXZA	LN40A330J1D,N45A/40S80-GJE,40,LCD-TV,UNI			
0.1	M0001	BN90-01204S	ASSY COVER FRONT;40L330	1	S.N.A	
..2	T0003	BN96-04753X	ASSY COVER P-FRONT;40L330,UO,PC+ABS,V0,B	1	S.A	
...3	M0081	6003-000275	SCREW-TAPTITE;BH,+,-,B,M3,L10,ZPC(BLK),S	1	S.N.A	
...3	M0081	6003-001188	SCREW-TAPTITE;BH,+,-,B,M4,L10,ZPC(WHT),S	2	S.N.A	
...3	M0081	6003-001188	SCREW-TAPTITE;BH,+,-,B,M4,L10,ZPC(WHT),S	2	S.N.A	
...3	M0081	6006-001096	SCREW-TAPTITE;BH,+,-,WP,B,M4.0,L12,ZPC(BLK	4	S.N.A	
...3	M0162	6502-001067	CABLE CLAMP;DAFC-1300,ID2.2,T5.2,NYLIN6/	2	S.N.A	
...3	T0069	AA60-00171V	SPACER-FELT;BE46PS,FELT,500,T0.35,10	2	S.N.A	
...3	T0060	BN61-01655A	SPRING ETC;STS-304 SUS,D8,L12,T0.5	1	S.N.A	
...3	FELT	BN63-01925A	FELT-VIBRATION;42D5,FELT,T0.35,10,370	2	S.N.A	
...3	CCM1	BN63-02183H	COVER-SHEET;RhcM,PE Vinyl,T0.05,1300mm,2	1.11	S.N.A	
...3	M0112	BN63-03124K	COVER-FRONT;40L330,UO,PC+ABS,V0,BK25,S/M	1	S.N.A	
...3	T0059	BN64-00366A	INDICATOR LED;ROME-I,PC,CLEAR,ALL MODEL	1	S.N.A	
...3	T0022	BN64-00467D	KNOB CONTROL;MOSEL32,ABS,-,-,-,V0(NT),BK	1	S.N.A	
...3	T0023	BN64-00589A	KNOB POWER;32S81,PC,-,-,-,VIOLET,-,-	1	S.N.A	
...3	T0054	BN64-00590A	KNOB-DECORATION;JASMINE 32,ABS,-,-,-,HB,	1	S.N.A	
...3	M0145	BN96-03466A	ASSY BOARD P-FUNCTION;SONOMA,SJ06-01-008	1	S.A	
...3	M0025	BN96-04747D	ASSY DECORATION P;40L330,PC+ABS,V0	1	S.N.A	
...4	B/TAPE	BN61-03261C	BOSS-TAPE;Tulip,ACRYL,T1.1,W24mm,GRAY,TA	0.85	S.N.A	
...4	T0056	BN63-03126D	COVER-DECORATION;40L330,PC+ABS,V0	1	S.N.A	
...3	T0175	BN96-04770B	ASSY SPEAKER P;8ohm,4pin,10W,600/1250mm,	1	S.A	
...3	M0146	BN96-04884F	ASSY BOARD P-POWER & IR;LNT4042HX/XAA,CT	1	S.A	
0.1	M0002	BN90-01209T	ASSY COVER REAR;40L330	1	S.N.A	
..2	T0081	6002-001294	SCREW-TAPPING;BH,+,,M4,L16,ZPC(BLK)	1	S.A	
..2	T0081	6002-001294	SCREW-TAPPING;BH,+,,M4,L16,ZPC(BLK)	2	S.A	
..2	T0081	6002-001294	SCREW-TAPPING;BH,+,,M4,L16,ZPC(BLK)	12	S.A	
..2	M0081	6003-000115	SCREW-TAPTITE;BH,+,-,B,M3,L6,ZPC(BLK),SWRC	1	S.A	
..2	M0013	BN96-04758J	ASSY COVER P-REAR;40L330,UO,HIPS,V0,BK50	1	S.A	
...3	M0081	6003-001188	SCREW-TAPTITE;BH,+,-,B,M4,L10,ZPC(WHT),S	2	S.N.A	
...3	T0069	AA60-00171V	SPACER-FELT;BE46PS,FELT,500,T0.35,10	4	S.N.A	
...3	T0101	BN61-03348A	BRACKET-WALL;LCD TV 32,SECC T1.2,-,-,-,-	2	S.N.A	
...3	M0006	BN63-03125D	COVER-REAR;40L330,UO,HIPS,-,-,-,V0,-,BK5	1	S.N.A	
...3	T0071	BN64-00818A	INLAY-TERMINAL;L330/L430,UO,PS SHEET,T0.	1	S.N.A	
...3	T0064	BN65-00002A	CLAMPER CORE;BORDEAUX,LDPE,-,-,BLK,-	1	S.N.A	
0.1	M0216	BN90-01617A	ASSY STAND;37,40L330,UO	1	S.N.A	
..2	M0027	BN96-07541A	ASSY STAND P-BASE;40L330,ABS+PMMA,HB,BK2	1	S.A	
...3	T0081	6002-001294	SCREW-TAPPING;BH,+,,M4,L16,ZPC(BLK)	4	S.A	
...3	M0081	6003-001239	SCREW-TAPTITE;FH,+,-,B,M4,L10,ZPC(WHT),S	8	S.A	
...3	T0524	6902-000518	BAG PE;HDPE+NITRON(DOUBLE),T0.015/T0.05(1	S.N.A	
...3	H/SRTOP	BN61-02248A	HOLDER-SWIVEL RING;40R71,ACETAL NATUAL,T	1	S.N.A	
...3	B/SBOTTOM	BN61-02883A	BRACKET-STAND BOTTOM;BORDEAUX PLUS,40,SE	1	S.N.A	
...3	H/ SRBOTTOM	BN61-02885A	HOLDER-SWIVEL RING;MURANO40,ACETAL NATUR	1	S.N.A	
...3	B/HSWIVEL	BN61-02886A	BRACKET-HINGE SWIVEL;BORDEAUX PLUS,40,SE	1	S.N.A	
...3	T0920	BN61-03979A	GUIDE-STAND;L330 40INCH,PC+GF 20%,BLK	1	S.N.A	

5. Exploded View & Part List

Level	Location No.	Code No.	Description & Specification	Q'ty	SA/SNA	Remark
...3	CCM1	BN63-02183E	COVER-SHEET;Rhcm,PE Vinyl,T0.05,750mm,20	0.5	S.N.A	
...3	T0004	BN63-03030A	COVER-STAND BASE;40R81,ABS+PMMA,-,-,HB	1	S.N.A	
...3	T0132	BN73-00052A	RUBBER FOOT;ARES 17,CR Rubber Gray,T1.5	4	S.N.A	
...3	A/SCREW	BN96-01800A	ASSY ACCESSORY-SCREW ZIPPER;ROME32,-,-,-	1	S.N.A	
...4	T0081	6002-001294	SCREW-TAPPING;BH,+,,M4,L16,ZPC(BLK)	4	S.A	
...4	ACCESSORY	6902-000128	BAG ZIPPER;LDPE,T0.05,W200,L150,TRP,8,2-	1	S.N.A	
...3		BN68-01402B	MANUAL FLYER-STAND GUIDE;COMM,SAMSUNG,En	1	S.N.A	
...3	M0045	BN96-01800D	ASSY ACCESSORY;CORAL,Without Stand	1	S.A	
...4	B/ZIPPER	6902-000128	BAG ZIPPER;LDPE,T0.05,W200,L150,TRP,8,2-	1	S.N.A	
...4	M0081	6003-001334	SCREW-TAPTITE;BH,+,,S,M4,L14,ZPC(BLK),SWR	3	S.N.A	
...3	ASTGUIDE	BN96-07936A	ASSY STAND P-GUIDE;L450 32INCH,PC+,GF(20	1	S.N.A	
...4		BN61-02932B	BRACKET-STOPPER NUT;L450,M4,OD8,-,-,L24,	3	S.N.A	
...4		BN61-03873A	GUIDE-STAND BOTTOM;L450 40INCH,PC+GF(20%	1	S.N.A	
0.1	M0112	BN91-02145A	ASSY SHIELD;LN40A330J1DXZA	1	S.N.A	
.2	M0081	6003-000115	SCREW-TAPTITE;BH,+,,B,M3,L6,ZPC(BLK),SWRC	6	S.A	
.2	M0081	6003-000115	SCREW-TAPTITE;BH,+,,B,M3,L6,ZPC(BLK),SWRC	4	S.A	
.2	M0081	6003-000337	SCREW-TAPTITE;BH,+,,S,M4,L10,ZPC(BLK),SWR	3	S.A	
.2	M0081	6003-000337	SCREW-TAPTITE;BH,+,,S,M4,L10,ZPC(BLK),SWR	2	S.A	
.2	M0081	6003-001188	SCREW-TAPTITE;BH,+,,-B,M4,L10,ZPC(WHT),S	2	S.N.A	
.2	M0081	6003-001188	SCREW-TAPTITE;BH,+,,-B,M4,L10,ZPC(WHT),S	2	S.N.A	
.2	M0081	6003-001188	SCREW-TAPTITE;BH,+,,-B,M4,L10,ZPC(WHT),S	6	S.N.A	
.2	M0081	6003-001188	SCREW-TAPTITE;BH,+,,-B,M4,L10,ZPC(WHT),S	6	S.N.A	
.2	M0081	6003-001188	SCREW-TAPTITE;BH,+,,-B,M4,L10,ZPC(WHT),S	3	S.N.A	
.2	M0081	6003-001439	SCREW-TAPTITE;BH,+,,-S,M4,L8,ZPC(WHT),SW	1	S.N.A	
.2	M0081	6003-001439	SCREW-TAPTITE;BH,+,,-S,M4,L8,ZPC(WHT),SW	1	S.N.A	
.2	M2893	BN39-00802F	LEAD CONNECTOR;LE46S86BDX,UL1007#26,24PI	1	S.A	
.2	M2893	BN39-00830C	LEAD CONNECTOR;LN40A450C1D,UL3443 #28,7P	1	S.A	
.2	M2893	BN39-00874D	LEAD CONNECTOR;LN40A450C1D,UL1007#26,5p,	1	S.A	
.2	M2893	BN39-01024A	LEAD CONNECTOR;LN46A550P1FXZA,UL1007#26,	1	S.A	
.2	M0174	BN44-00199A	IP BOARD;IP-211135,PEARL,15mA,130mA,150H	1	S.A	
.2	M0146	BN61-02256B	BRACKET-PANEL SIDE;Bordeaux 40,SECC,T1.2	1	S.N.A	
.2	M0146	BN61-02257B	BRACKET-PANEL SIDE;Bordeaux 40,SECC,T1.2	1	S.N.A	
.2	M0115	BN61-02882A	BRACKET-STAND LINK;TULIP,40,SECC,T1.6,-,	1	S.N.A	
.2	M0254	BN61-03972A	HOLDER-SIDE AV;L330,HIPS,V0,-,-,-,BK500,	1	S.N.A	
.2	T0447	BN96-04679J	ASSY BRACKET P-PANEL;40L330,SECC,JADE	1	S.N.A	
...3	M0081	6003-000115	SCREW-TAPTITE;BH,+,,B,M3,L6,ZPC(BLK),SWRC	3	S.A	
...3	M0081	6003-000115	SCREW-TAPTITE;BH,+,,B,M3,L6,ZPC(BLK),SWRC	3	S.A	
...3	M0081	6003-000115	SCREW-TAPTITE;BH,+,,B,M3,L6,ZPC(BLK),SWRC	1	S.A	
...3	M0081	6003-000115	SCREW-TAPTITE;BH,+,,B,M3,L6,ZPC(BLK),SWRC	2	S.A	
...3	B/GPLEFT	BN61-02963A	BRACKET-GUIDE POWER;40 BORDEAUX PLUS,SEC	1	S.N.A	
...3	T0101	BN61-02968A	BRACKET-WALL;40 BORDEAUX PLUS,SECC,T1.2,	1	S.N.A	
...3	M0146	BN61-02972A	BRACKET-PANEL TOP;40 BORDEAUX PLUS,SECC,	1	S.N.A	
...3	B/GPRIGHT	BN61-02975A	BRACKET-GUIDE POWER;40 BORDEAUX PLUS,SEC	2	S.N.A	
...3	B/PBOTTOM	BN61-02979A	BRACKET-PANEL BOTTOM;40 BORDEAUX PLUS,SE	1	S.N.A	
...3	B/GMAIN	BN61-02982A	BRACKET-GUIDE MAIN;40 BORDEAUX PLUS,SECC	1	S.N.A	
...3	M0107	BN61-03036A	BRACKET-PCB;40 BORDEAUX PLUS,SECC,T1.2,S	1	S.N.A	
...3	T0069	BP60-00015D	SPACER-FELT;617W,FELT,L760,T0.5,W10	1	S.N.A	
.2	M0125	BN96-05490A	ASSY INLET P;LE52M87BDX,XEC,300,300,150m	1	S.A	
.2	M0114	BN61-02500A	HOLDER-WIRE;NYLON6.6,NATURAL	3	S.N.A	
.2	M0214	BN96-07158E	ASSY CABLE P-FLAT;CORAL,FFC CABLE,95*400	1	S.A	

5. Exploded View & Part List

Level	Location No.	Code No.	Description & Specification	Q'ty	SA/SNA	Remark
.2		BN68-01402B	MANUAL FLYER-STAND GUIDE;COMM,SAMSUNG,En	1	S.N.A	
0.1	M0017	BN91-02146E	ASSY CHASSIS;LN40A330J1DXZA	1	S.N.A	
.2	M0014	BN94-01724E	ASSY PCB MAIN;LN40A330J1DXZA	1	S.A	
...3	T0245	0202-001608	SOLDER-WIRE FLUX;LFC7-107,D0.8,99.3Sn/0.	0.25	S.N.A	
...3	JA7003	3701-001400	CONNECTOR-DSUB;15P,3R,FEMALE,STRAIGHT,Ni	1	S.A	
...3	CN906	3707-001081	CONNECTOR-OPTICAL;STRAIGHT,SPDIF	1	S.A	
...3	CN330	3711-000058	HEADER-BOARD TO CABLE;BOX,4P,1R,2.5MM,AN	1	S.A	
...3	CN330	3711-004484	HEADER-BOARD TO CABLE;BOX,5P,1R,2mm,STRA	1	S.A	
...3	CN330	3711-004531	HEADER-BOARD TO CABLE;BOX,10P,1R,2mm,ANG	1	S.A	
...3	CN330	3711-005842	HEADER-BOARD TO CABLE;BOX,24P,2R,2MM,STR	1	S.A	
...3	JA330	3722-001061	JACK-PHONE;1P,3.6PI,AG,BLK,N	1	S.A	
...3	JA7004	3722-002516	JACK-USB;4P/1C,AU30U,BLK,STRAIGHT,A TYPE	1	S.A	
...3	JA333	3722-002684	JACK-PIN;14P+1P PHONE,NI,BLACK,STRAIGHT	1	S.A	
...3	CIS3	AA40-00177A	TUNER;TDQU6-K01A,TDQU6-K01A,NTSC/ATSC,18	1	S.A	
...3	M0107	BN63-01847A	SHIELD-COVER;ROME,SPT,TO.3,49.5,79.5,HE	1	S.N.A	
...3	CCMM1	BN73-00024D	SILICON/RUBBER;BORDEAUX,SILICON,28x28XT6	1	S.N.A	
...3	A/HDCP	BN97-00688B	ASSY HDCP;MT8202 IC HDCP Key'	1	S.N.A	
...4		BN46-00018A	KEY CODE-CERTIFICATE;(HDCP KEY)PPM42M5S,	1	S.N.A	
...3	T0174	BN97-02111E	ASSY SMD;LN40A330J1DXZA	1	S.N.A	
...4	SUB05	0202-001477	SOLDER-CREAM;LST309-M,-,D20~45##,96.5Sn/	2.161	S.N.A	
...4	D1011	0401-000133	DIODE-SWITCHING;RLS4148,75V,150mA,LL-34,	1	S.A	
...4	D9005	0401-000133	DIODE-SWITCHING;RLS4148,75V,150mA,LL-34,	1	S.A	
...4	D2002	0401-001056	DIODE-SWITCHING;MMBD4148SE,100V,200mA,SO	1	S.A	
...4	D2003	0401-001056	DIODE-SWITCHING;MMBD4148SE,100V,200mA,SO	1	S.A	
...4	D2004	0401-001056	DIODE-SWITCHING;MMBD4148SE,100V,200mA,SO	1	S.A	
...4	D2006	0401-001056	DIODE-SWITCHING;MMBD4148SE,100V,200mA,SO	1	S.A	
...4	D2008	0401-001056	DIODE-SWITCHING;MMBD4148SE,100V,200mA,SO	1	S.A	
...4	D5001	0401-001056	DIODE-SWITCHING;MMBD4148SE,100V,200mA,SO	1	S.A	
...4	D7002	0401-001056	DIODE-SWITCHING;MMBD4148SE,100V,200mA,SO	1	S.A	
...4	D7005	0401-001056	DIODE-SWITCHING;MMBD4148SE,100V,200mA,SO	1	S.A	
...4	D7011	0401-001056	DIODE-SWITCHING;MMBD4148SE,100V,200mA,SO	1	S.A	
...4	D7012	0401-001056	DIODE-SWITCHING;MMBD4148SE,100V,200mA,SO	1	S.A	
...4	D7013	0401-001056	DIODE-SWITCHING;MMBD4148SE,100V,200mA,SO	1	S.A	
...4	D7023	0401-001056	DIODE-SWITCHING;MMBD4148SE,100V,200mA,SO	1	S.A	
...4	D7025	0401-001056	DIODE-SWITCHING;MMBD4148SE,100V,200mA,SO	1	S.A	
...4	D1004	0401-001099	DIODE-SWITCHING;1N4148WS,75V,150mA,SOD-3	1	S.A	
...4	D1005	0401-001099	DIODE-SWITCHING;1N4148WS,75V,150mA,SOD-3	1	S.A	
...4	D1007L	0401-001099	DIODE-SWITCHING;1N4148WS,75V,150mA,SOD-3	1	S.A	
...4	D1008	0401-001099	DIODE-SWITCHING;1N4148WS,75V,150mA,SOD-3	1	S.A	
...4	D1009	0401-001099	DIODE-SWITCHING;1N4148WS,75V,150mA,SOD-3	1	S.A	
...4	D1010	0401-001099	DIODE-SWITCHING;1N4148WS,75V,150mA,SOD-3	1	S.A	
...4	D9004	0401-001099	DIODE-SWITCHING;1N4148WS,75V,150mA,SOD-3	1	S.A	
...4	D0254	0402-000553	DIODE-SCHOTTKY;SS24/B240,40V,2000mA,DO-2	1	S.A	
...4	D0254	0402-000553	DIODE-SCHOTTKY;SS24/B240,40V,2000mA,DO-2	1	S.A	
...4	D0254	0402-001207	DIODE-SCHOTTKY;UPS5819,40V,1000MA,DO-216	1	S.A	
...4	D1006	0403-000002	DIODE-ZENER;VLZ5V6B,5.45/5.73V,500mW,SOD	1	S.A	
...4	D7017	0403-000771	DIODE-ZENER;VLZ6V2B,5.96-6.27V,500mW,SOD	1	S.A	
...4	D7018	0403-000771	DIODE-ZENER;VLZ6V2B,5.96-6.27V,500mW,SOD	1	S.A	
...4	D7050	0403-000771	DIODE-ZENER;VLZ6V2B,5.96-6.27V,500mW,SOD	1	S.A	
...4	D6002	0403-001052	DIODE-ZENER;RD8.2MB,7.7-8.7V,200mW,SOT-2	1	S.A	

5. Exploded View & Part List

Level	Location No.	Code No.	Description & Specification	Q'ty	SA/SNA	Remark
....4	D6003	0403-001052	DIODE-ZENER;RD8.2MB,7.7-8.7V,200mW,SOT-2	1	S.A	
....4	D6004	0403-001052	DIODE-ZENER;RD8.2MB,7.7-8.7V,200mW,SOT-2	1	S.A	
....4	D6005	0403-001052	DIODE-ZENER;RD8.2MB,7.7-8.7V,200mW,SOT-2	1	S.A	
....4	D6007	0403-001052	DIODE-ZENER;RD8.2MB,7.7-8.7V,200mW,SOT-2	1	S.A	
....4	D6008	0403-001052	DIODE-ZENER;RD8.2MB,7.7-8.7V,200mW,SOT-2	1	S.A	
....4	D6013	0403-001052	DIODE-ZENER;RD8.2MB,7.7-8.7V,200mW,SOT-2	1	S.A	
....4	D6014	0403-001052	DIODE-ZENER;RD8.2MB,7.7-8.7V,200mW,SOT-2	1	S.A	
....4	D6016	0403-001052	DIODE-ZENER;RD8.2MB,7.7-8.7V,200mW,SOT-2	1	S.A	
....4	D6017	0403-001052	DIODE-ZENER;RD8.2MB,7.7-8.7V,200mW,SOT-2	1	S.A	
....4	D6019	0403-001052	DIODE-ZENER;RD8.2MB,7.7-8.7V,200mW,SOT-2	1	S.A	
....4	D6020	0403-001052	DIODE-ZENER;RD8.2MB,7.7-8.7V,200mW,SOT-2	1	S.A	
....4	D7019	0403-001052	DIODE-ZENER;RD8.2MB,7.7-8.7V,200mW,SOT-2	1	S.A	
....4	D7021	0403-001052	DIODE-ZENER;RD8.2MB,7.7-8.7V,200mW,SOT-2	1	S.A	
....4	D7027	0403-001052	DIODE-ZENER;RD8.2MB,7.7-8.7V,200mW,SOT-2	1	S.A	
....4	D7028	0403-001052	DIODE-ZENER;RD8.2MB,7.7-8.7V,200mW,SOT-2	1	S.A	
....4	D7030	0403-001052	DIODE-ZENER;RD8.2MB,7.7-8.7V,200mW,SOT-2	1	S.A	
....4	D7032	0403-001052	DIODE-ZENER;RD8.2MB,7.7-8.7V,200mW,SOT-2	1	S.A	
....4	D7034	0403-001052	DIODE-ZENER;RD8.2MB,7.7-8.7V,200mW,SOT-2	1	S.A	
....4	D5002	0403-001425	DIODE-ZENER;BZX84C33,31-35V,350mW,SOT-23	1	S.A	
....4	D6001	0406-001172	DIODE-TVS;CDS3C30GTH,48/-50V,SMD	1	S.A	
....4	D6006	0406-001172	DIODE-TVS;CDS3C30GTH,48/-50V,SMD	1	S.A	
....4	D6009	0406-001172	DIODE-TVS;CDS3C30GTH,48/-50V,SMD	1	S.A	
....4	D6010	0406-001172	DIODE-TVS;CDS3C30GTH,48/-50V,SMD	1	S.A	
....4	D6011	0406-001172	DIODE-TVS;CDS3C30GTH,48/-50V,SMD	1	S.A	
....4	D6012	0406-001172	DIODE-TVS;CDS3C30GTH,48/-50V,SMD	1	S.A	
....4	D6015	0406-001172	DIODE-TVS;CDS3C30GTH,48/-50V,SMD	1	S.A	
....4	D6018	0406-001172	DIODE-TVS;CDS3C30GTH,48/-50V,SMD	1	S.A	
....4	D6021	0406-001172	DIODE-TVS;CDS3C30GTH,48/-50V,SMD	1	S.A	
....4	D6022	0406-001172	DIODE-TVS;CDS3C30GTH,48/-50V,SMD	1	S.A	
....4	D6023	0406-001172	DIODE-TVS;CDS3C30GTH,48/-50V,SMD	1	S.A	
....4	D6024	0406-001172	DIODE-TVS;CDS3C30GTH,48/-50V,SMD	1	S.A	
....4	D6025	0406-001172	DIODE-TVS;CDS3C30GTH,48/-50V,SMD	1	S.A	
....4	D7001	0406-001172	DIODE-TVS;CDS3C30GTH,48/-50V,SMD	1	S.A	
....4	D7003	0406-001172	DIODE-TVS;CDS3C30GTH,48/-50V,SMD	1	S.A	
....4	D7010	0406-001172	DIODE-TVS;CDS3C30GTH,48/-50V,SMD	1	S.A	
....4	D7024	0406-001172	DIODE-TVS;CDS3C30GTH,48/-50V,SMD	1	S.A	
....4	D7041	0406-001172	DIODE-TVS;CDS3C30GTH,48/-50V,SMD	1	S.A	
....4	D7042	0406-001172	DIODE-TVS;CDS3C30GTH,48/-50V,SMD	1	S.A	
....4	D7014	0406-001200	DIODE-TVS;RCLAMP0504F,6/-V,150W,SC-70	1	S.A	
....4	D7051	0406-001271	DIODE-TVS;RCLAMP0524P,6/-V,150W,SLP251	1	S.A	
....4	D7052	0406-001271	DIODE-TVS;RCLAMP0524P,6/-V,150W,SLP251	1	S.A	
....4	D7053	0406-001271	DIODE-TVS;RCLAMP0524P,6/-V,150W,SLP251	1	S.A	
....4	D7054	0406-001271	DIODE-TVS;RCLAMP0524P,6/-V,150W,SLP251	1	S.A	
....4	D7038	0407-000123	DIODE-ARRAY;DAN202K,80V,100mA,CA2-3,SOT-	1	S.A	
....4	D7039	0407-000123	DIODE-ARRAY;DAN202K,80V,100mA,CA2-3,SOT-	1	S.A	
....4	Q1000	0501-000434	TR-SMALL SIGNAL;KTC3875S-GR,NPN,150mW,SO	1	S.A	
....4	Q9004	0501-000434	TR-SMALL SIGNAL;KTC3875S-GR,NPN,150mW,SO	1	S.A	
....4	Q9005	0501-000434	TR-SMALL SIGNAL;KTC3875S-GR,NPN,150mW,SO	1	S.A	
....4	Q2003	0501-000445	TR-SMALL SIGNAL;KTC3875S-Y,NPN,150mW,SOT	1	S.A	
....4	Q3001L	0501-000445	TR-SMALL SIGNAL;KTC3875S-Y,NPN,150mW,SOT	1	S.A	
....4	Q5001	0501-000445	TR-SMALL SIGNAL;KTC3875S-Y,NPN,150mW,SOT	1	S.A	

5. Exploded View & Part List

Level	Location No.	Code No.	Description & Specification	Q'ty	SA/SNA	Remark
...4	Q7003	0501-000445	TR-SMALL SIGNAL;KTC3875S-Y,NPN,150mW,SOT	1	S.A	
...4	Q7004	0501-000445	TR-SMALL SIGNAL;KTC3875S-Y,NPN,150mW,SOT	1	S.A	
...4	Q9002	0501-000669	TR-SMALL SIGNAL;KTA1505Y,PNP,150mW,SOT-2	1	S.A	
...4	Q1002L	0501-002080	TR-SMALL SIGNAL;2SC2412K,NPN,200mW,SC-59	1	S.A	
...4	Q1003L	0501-002080	TR-SMALL SIGNAL;2SC2412K,NPN,200mW,SC-59	1	S.A	
...4	Q2005	0504-000129	TR-DIGITAL;KSR1104,NPN,200mW,47K/47K,SOT	1	S.A	
...4	Q409	0505-000110	FET-SILICON;2N7002,N,60V,115mA,7.5ohm,0.	1	S.A	
...4	Q409	0505-000110	FET-SILICON;2N7002,N,60V,115mA,7.5ohm,0.	1	S.A	
...4	Q409	0505-000110	FET-SILICON;2N7002,N,60V,115mA,7.5ohm,0.	1	S.A	
...4	Q409	0505-001165	FET-SILICON;SI3443BDV,P,-20V,+4.4A,65mo	1	S.A	
...4	IC104	0801-002633	IC-CMOS LOGIC;7WBD3125,2bit BUS SWITCH,S	1	S.A	
...4	IC104	0801-002633	IC-CMOS LOGIC;7WBD3125,2bit BUS SWITCH,S	1	S.A	
...4	IC2003	0904-001862	IC-I/O SUPPORT CHIP;PCF8574ATS,8Bit,SSOP	1	S.A	
...4	IC6003	1001-000164	IC-ANALOG MULTIPLEX;74HC4052,CMOS,SOP,16	1	S.A	
...4	IC106	1001-001082	IC-VIDEO SWITCH;BA7657F,-,SOP,24P,300MIL	1	S.A	
...4	IC106	1001-001513	IC-VIDEO SWITCH;TMDS351PAG,TQFP,64P,9x9m	1	S.A	
...4	IC6001	1006-001266	IC-LINE TRANSCEIVER;SP3232EEY,TSSOP,16P,	1	S.A	
...4	IC112	1103-000129	IC-EEPROM;24C02,2Kbit,256x8Bit,SOP,8P,5x	1	S.A	
...4	IC112	1103-000129	IC-EEPROM;24C02,2Kbit,256x8Bit,SOP,8P,5x	1	S.A	
...4	IC112	1103-000129	IC-EEPROM;24C02,2Kbit,256x8Bit,SOP,8P,5x	1	S.A	
...4	IC112	1103-001406	IC-EEPROM;AT24C512BN-SH25-T,512Kbit,64Kx	1	S.A	
...4	IC201C	1105-001838	IC-DDR SDRAM;EM6A9160TS0A-5G,DDR SDRAM,1	1	S.A	
...4	IC202C	1105-001838	IC-DDR SDRAM;EM6A9160TS0A-5G,DDR SDRAM,1	1	S.A	
...4	DU410	1201-000166	IC-OP AMP;LM358,SOP,ST,8P,150MIL,DUAL,10	1	S.A	
...4	DU410	1201-000541	IC-OP AMP;062,SOP,8P,153MIL,DUAL,6V/mV,P	1	S.A	
...4	T0085	1201-002487	IC-AUDIO AMP;MAX9728A,QFN,12P,3x3mm,DUAL	1	S.A	
...4	T0124	1201-002678	IC-POWER AMP;STA335BWS,PSSO,36P,10.3x7.5	1	S.A	
...4	IC012	1203-001195	IC-POSI.ADJUST REG.;1587,TO-263,3P,393MI	1	S.A	
...4	IC012	1203-001195	IC-POSI.ADJUST REG.;1587,TO-263,3P,393MI	1	S.A	
...4	T0087	1203-001815	IC-POSI.FIXED REG.;78M09,TO-252,3P,-,PLA	1	S.A	
...4	T0087	1203-002835	IC-POSI.FIXED REG.;KIA7805AF,DPAK,3P,6.6	1	S.A	
...4	T0087	1203-002842	IC-POSI.FIXED REG.;AP1117D-33A,TO-252,3P	1	S.A	
...4	IC012	1203-002995	IC-POSI.ADJUST REG.;AP1117D-A,TO-252,3P,	1	S.A	
...4	IC012	1203-002995	IC-POSI.ADJUST REG.;AP1117D-A,TO-252,3P,	1	S.A	
...4	T0087	1203-003121	IC-POSI.FIXED REG.;FAN1112,SOT-223,3P,6.	1	S.A	
...4	IC1005	1203-004364	IC-VOL. DETECTOR;RT9818C-42PV,SOT-23,3P,	1	S.A	
...4	IC1007	1203-004364	IC-VOL. DETECTOR;RT9818C-42PV,SOT-23,3P,	1	S.A	
...4	IC118	1204-002779	IC-VIDEO PROCESS;S4LF122X01,PBGA,208P,17	1	S.A	
...4	IC5002	1204-002818	IC-DEMODULATOR;S5H1411,-,100P,14x14mm,PL	1	S.A	
...4	IC3001	1204-002834	IC-DECODER;SEMS10-LF,LQFP,256P,28x28mm,P	1	S.A	
...4	R110	2007-000041	R-CHIP;475ohm,1%,1/10W,TP,1608	1	S.A	
...4	R110	2007-000041	R-CHIP;475ohm,1%,1/10W,TP,1608	1	S.A	
...4	R110	2007-000052	R-CHIP;10Kohm,1%,1/10W,TP,1608	1	S.A	
...4	R110	2007-000072	R-CHIP;47ohm,5%,1/10W,TP,1608	1	S.A	
...4	R110	2007-000072	R-CHIP;47ohm,5%,1/10W,TP,1608	1	S.A	
...4	R110	2007-000072	R-CHIP;47ohm,5%,1/10W,TP,1608	1	S.A	
...4	R110	2007-000072	R-CHIP;47ohm,5%,1/10W,TP,1608	1	S.A	
...4	R110	2007-000138	R-CHIP;100ohm,5%,1/16W,TP,1005	1	S.N.A	
...4	R110	2007-000138	R-CHIP;100ohm,5%,1/16W,TP,1005	1	S.N.A	
...4	R110	2007-000138	R-CHIP;100ohm,5%,1/16W,TP,1005	1	S.N.A	
...4	R110	2007-000138	R-CHIP;100ohm,5%,1/16W,TP,1005	1	S.N.A	

5. Exploded View & Part List

Level	Location No.	Code No.	Description & Specification	Q'ty	SA/SNA	Remark
....4	R110	2007-001292	R-CHIP;33ohm,5%,1/16W,TP,1005	1	S.N.A	
....4	R110	2007-001292	R-CHIP;33ohm,5%,1/16W,TP,1005	1	S.N.A	
....4	R110	2007-001292	R-CHIP;33ohm,5%,1/16W,TP,1005	1	S.N.A	
....4	R110	2007-001292	R-CHIP;33ohm,5%,1/16W,TP,1005	1	S.N.A	
....4	R110	2007-001292	R-CHIP;33ohm,5%,1/16W,TP,1005	1	S.N.A	
....4	R110	2007-001313	R-CHIP;330ohm,5%,1/16W,TP,1005	1	S.N.A	
....4	R110	2007-001325	R-CHIP;3.3Kohm,5%,1/16W,TP,1005	1	S.N.A	
....4	R110	2007-001325	R-CHIP;3.3Kohm,5%,1/16W,TP,1005	1	S.N.A	
....4	R110	2007-001325	R-CHIP;3.3Kohm,5%,1/16W,TP,1005	1	S.N.A	
....4	R110	2007-001325	R-CHIP;3.3Kohm,5%,1/16W,TP,1005	1	S.N.A	
....4	R110	2007-001433	R-CHIP;12Kohm,1%,1/10W,TP,1608	1	S.A	
....4	R110	2007-007008	R-CHIP;300ohm,5%,1/16W,TP,1005	1	S.N.A	
....4	R110	2007-007008	R-CHIP;300ohm,5%,1/16W,TP,1005	1	S.N.A	
....4	R110	2007-007095	R-CHIP;390ohm,5%,1/16W,TP,1005	1	S.N.A	
....4	R110	2007-007107	R-CHIP;100Kohm,1%,1/16W,TP,1005	1	S.N.A	
....4	R110	2007-007107	R-CHIP;100Kohm,1%,1/16W,TP,1005	1	S.N.A	
....4	R110	2007-007142	R-CHIP;10Kohm,1%,1/16W,TP,1005	1	S.N.A	
....4	R110	2007-007142	R-CHIP;10Kohm,1%,1/16W,TP,1005	1	S.N.A	
....4	R110	2007-007316	R-CHIP;3.3KOHM,1%,1/16W,TP,1005	1	S.N.A	
....4	R110	2007-007318	R-CHIP;1Kohm,1%,1/16W,TP,1005	1	S.N.A	
....4	R110	2007-007318	R-CHIP;1Kohm,1%,1/16W,TP,1005	1	S.N.A	
....4	R110	2007-007318	R-CHIP;1Kohm,1%,1/16W,TP,1005	1	S.N.A	
....4	R110	2007-007334	R-CHIP;200Kohm,1%,1/16W,TP,1005	1	S.N.A	
....4	R110	2007-008015	R-CHIP;75ohm,1%,1/16W,TP,1005	1	S.N.A	
....4	R110	2007-008015	R-CHIP;75ohm,1%,1/16W,TP,1005	1	S.N.A	
....4	R110	2007-008015	R-CHIP;75ohm,1%,1/16W,TP,1005	1	S.N.A	
....4	R110	2007-008015	R-CHIP;75ohm,1%,1/16W,TP,1005	1	S.N.A	
....4	R110	2007-008015	R-CHIP;75ohm,1%,1/16W,TP,1005	1	S.N.A	
....4	R110	2007-008015	R-CHIP;75ohm,1%,1/16W,TP,1005	1	S.N.A	
....4	R110	2007-008015	R-CHIP;75ohm,1%,1/16W,TP,1005	1	S.N.A	
....4	R110	2007-008015	R-CHIP;75ohm,1%,1/16W,TP,1005	1	S.N.A	
....4	R110	2007-008015	R-CHIP;75ohm,1%,1/16W,TP,1005	1	S.N.A	
....4	R110	2007-008015	R-CHIP;75ohm,1%,1/16W,TP,1005	1	S.N.A	
....4	R110	2007-008015	R-CHIP;75ohm,1%,1/16W,TP,1005	1	S.N.A	
....4	R110	2007-008015	R-CHIP;75ohm,1%,1/16W,TP,1005	1	S.N.A	
....4	R110	2007-008015	R-CHIP;75ohm,1%,1/16W,TP,1005	1	S.N.A	
....4	R110	2007-008015	R-CHIP;75ohm,1%,1/16W,TP,1005	1	S.N.A	
....4	R110	2007-008015	R-CHIP;75ohm,1%,1/16W,TP,1005	1	S.N.A	
....4	R110	2007-008015	R-CHIP;75ohm,1%,1/16W,TP,1005	1	S.N.A	
....4	R110	2007-008015	R-CHIP;75ohm,1%,1/16W,TP,1005	1	S.N.A	
....4	R110	2007-008015	R-CHIP;75ohm,1%,1/16W,TP,1005	1	S.N.A	
....4	R110	2007-008015	R-CHIP;75ohm,1%,1/16W,TP,1005	1	S.N.A	
....4	R110	2007-008015	R-CHIP;75ohm,1%,1/16W,TP,1005	1	S.N.A	
....4	R110	2007-008015	R-CHIP;75ohm,1%,1/16W,TP,1005	1	S.N.A	
....4	R110	2007-008015	R-CHIP;75ohm,1%,1/16W,TP,1005	1	S.N.A	
....4	R110	2007-008015	R-CHIP;75ohm,1%,1/16W,TP,1005	1	S.N.A	
....4	R110	2007-008015	R-CHIP;75ohm,1%,1/16W,TP,1005	1	S.N.A	
....4	R110	2007-008813	R-CHIP;909ohm,1%,1/16W,TP,1005	1	S.N.A	
....4	R110	2007-009853	R-CHIP;1.6Kohm,1%,1/16W,TP,1005	1	S.A	
....4	R2001	2011-001261	R-NETWORK;33ohm,5%,1/16W,L,CHIP,8P,TP,2.	1	S.A	
....4	R2002	2011-001261	R-NETWORK;33ohm,5%,1/16W,L,CHIP,8P,TP,2.	1	S.A	
....4	R2003	2011-001261	R-NETWORK;33ohm,5%,1/16W,L,CHIP,8P,TP,2.	1	S.A	
....4	R2004	2011-001261	R-NETWORK;33ohm,5%,1/16W,L,CHIP,8P,TP,2.	1	S.A	
....4	R2005	2011-001261	R-NETWORK;33ohm,5%,1/16W,L,CHIP,8P,TP,2.	1	S.A	
....4	R2006	2011-001261	R-NETWORK;33ohm,5%,1/16W,L,CHIP,8P,TP,2.	1	S.A	
....4	R2007	2011-001261	R-NETWORK;33ohm,5%,1/16W,L,CHIP,8P,TP,2.	1	S.A	
....4	R2008	2011-001261	R-NETWORK;33ohm,5%,1/16W,L,CHIP,8P,TP,2.	1	S.A	

5. Exploded View & Part List

Level	Location No.	Code No.	Description & Specification	Q'ty	SA/SNA	Remark
....4	C120	2203-000438	C-CER,CHIP;1nF,10%,50V,X7R,1005	1	S.A	
....4	C120	2203-000438	C-CER,CHIP;1nF,10%,50V,X7R,1005	1	S.A	
....4	C120	2203-000489	C-CER,CHIP;2.2nF,10%,50V,X7R,1005	1	S.A	
....4	C120	2203-000489	C-CER,CHIP;2.2nF,10%,50V,X7R,1005	1	S.A	
....4	C120	2203-000489	C-CER,CHIP;2.2nF,10%,50V,X7R,1005	1	S.A	
....4	C120	2203-000575	C-CER,CHIP;220nF,10%,25V,X7R,2012	1	S.A	
....4	C120	2203-000575	C-CER,CHIP;220nF,10%,25V,X7R,2012	1	S.A	
....4	C120	2203-000575	C-CER,CHIP;220nF,10%,25V,X7R,2012	1	S.A	
....4	C120	2203-000575	C-CER,CHIP;220nF,10%,25V,X7R,2012	1	S.A	
....4	C120	2203-000575	C-CER,CHIP;220nF,10%,25V,X7R,2012	1	S.A	
....4	C120	2203-000575	C-CER,CHIP;220nF,10%,25V,X7R,2012	1	S.A	
....4	C120	2203-000627	C-CER,CHIP;0.022nF,5%,50V,C0G,1005	1	S.N.A	
....4	C120	2203-000783	C-CER,CHIP;0.33nF,5%,50V,C0G,1608	1	S.A	
....4	C120	2203-000783	C-CER,CHIP;0.33nF,5%,50V,C0G,1608	1	S.A	
....4	C120	2203-000783	C-CER,CHIP;0.33nF,5%,50V,C0G,1608	1	S.A	
....4	C120	2203-000783	C-CER,CHIP;0.33nF,5%,50V,C0G,1608	1	S.A	
....4	C120	2203-000783	C-CER,CHIP;0.33nF,5%,50V,C0G,1608	1	S.A	
....4	C120	2203-000783	C-CER,CHIP;0.33nF,5%,50V,C0G,1608	1	S.A	
....4	C120	2203-000783	C-CER,CHIP;0.33nF,5%,50V,C0G,1608	1	S.A	
....4	C120	2203-000783	C-CER,CHIP;0.33nF,5%,50V,C0G,1608	1	S.A	
....4	C120	2203-000783	C-CER,CHIP;0.33nF,5%,50V,C0G,1608	1	S.A	
....4	C120	2203-000783	C-CER,CHIP;0.33nF,5%,50V,C0G,1608	1	S.A	
....4	C120	2203-000783	C-CER,CHIP;0.33nF,5%,50V,C0G,1608	1	S.A	
....4	C120	2203-000783	C-CER,CHIP;0.33nF,5%,50V,C0G,1608	1	S.A	
....4	C120	2203-000851	C-CER,CHIP;0.039nF,5%,50V,C0G,1608	1	S.A	
....4	C120	2203-000851	C-CER,CHIP;0.039nF,5%,50V,C0G,1608	1	S.A	
....4	C120	2203-000888	C-CER,CHIP;4.7nF,10%,50V,X7R,1608	1	S.A	
....4	C120	2203-000888	C-CER,CHIP;4.7nF,10%,50V,X7R,1608	1	S.A	
....4	C120	2203-000975	C-CER,CHIP;47nF,10%,25V,X7R,TP,1608,-	1	S.A	
....4	C120	2203-000995	C-CER,CHIP;0.047nF,5%,50V,C0G,1005	1	S.A	
....4	C120	2203-001072	C-CER,CHIP;0.056nF,5%,50V,NP0,1005	1	S.A	
....4	C120	2203-001153	C-CER,CHIP;0.068nF,5%,50V,NP0,1005	1	S.A	
....4	C120	2203-001153	C-CER,CHIP;0.068nF,5%,50V,NP0,1005	1	S.A	
....4	C120	2203-001412	C-CER,CHIP;0.03nF,5%,50V,NP0,TP,1005	1	S.N.A	
....4	C120	2203-001412	C-CER,CHIP;0.03nF,5%,50V,NP0,TP,1005	1	S.N.A	
....4	C120	2203-001598	C-CER,CHIP;2200nF,+80-20%,16V,Y5V,2012	1	S.A	
....4	C120	2203-001598	C-CER,CHIP;2200nF,+80-20%,16V,Y5V,2012	1	S.A	
....4	C120	2203-001598	C-CER,CHIP;2200nF,+80-20%,16V,Y5V,2012	1	S.A	
....4	C120	2203-001598	C-CER,CHIP;2200nF,+80-20%,16V,Y5V,2012	1	S.A	
....4	C120	2203-001598	C-CER,CHIP;2200nF,+80-20%,16V,Y5V,2012	1	S.A	
....4	C120	2203-001598	C-CER,CHIP;2200nF,+80-20%,16V,Y5V,2012	1	S.A	
....4	C120	2203-001598	C-CER,CHIP;2200nF,+80-20%,16V,Y5V,2012	1	S.A	
....4	C120	2203-001598	C-CER,CHIP;2200nF,+80-20%,16V,Y5V,2012	1	S.A	
....4	C120	2203-002525	C-CER,CHIP;0.56nF,10%,50V,X7R,TP,1005	1	S.N.A	
....4	C120	2203-002525	C-CER,CHIP;0.56nF,10%,50V,X7R,TP,1005	1	S.N.A	
....4	C120	2203-002525	C-CER,CHIP;0.56nF,10%,50V,X7R,TP,1005	1	S.N.A	
....4	C120	2203-002525	C-CER,CHIP;0.56nF,10%,50V,X7R,TP,1005	1	S.N.A	
....4	C120	2203-005221	C-CER,CHIP;15nF,10%,50V,X7R,1608	1	S.A	
....4	C120	2203-005221	C-CER,CHIP;15nF,10%,50V,X7R,1608	1	S.A	
....4	C120	2203-005249	C-CER,CHIP;100nF,10%,50V,X7R,1608	1	S.A	
....4	C120	2203-005249	C-CER,CHIP;100nF,10%,50V,X7R,1608	1	S.A	
....4	C120	2203-005249	C-CER,CHIP;100nF,10%,50V,X7R,1608	1	S.A	

5. Exploded View & Part List

Level	Location No.	Code No.	Description & Specification	Q'ty	SA/SNA	Remark
...4	C120	2203-006361	C-CER,CHIP;10000nF,10%,10V,X5R,2012	1	S.A	
...4	C120	2203-006361	C-CER,CHIP;10000nF,10%,10V,X5R,2012	1	S.A	
...4	C120	2203-006361	C-CER,CHIP;10000nF,10%,10V,X5R,2012	1	S.A	
...4	C120	2203-006361	C-CER,CHIP;10000nF,10%,10V,X5R,2012	1	S.A	
...4	C120	2203-006361	C-CER,CHIP;10000nF,10%,10V,X5R,2012	1	S.A	
...4	C120	2203-006361	C-CER,CHIP;10000nF,10%,10V,X5R,2012	1	S.A	
...4	C120	2203-006361	C-CER,CHIP;10000nF,10%,10V,X5R,2012	1	S.A	
...4	C120	2203-006361	C-CER,CHIP;10000nF,10%,10V,X5R,2012	1	S.A	
...4	C120	2203-006361	C-CER,CHIP;10000nF,10%,10V,X5R,2012	1	S.A	
...4	C120	2203-006361	C-CER,CHIP;10000nF,10%,10V,X5R,2012	1	S.A	
...4	C120	2203-006361	C-CER,CHIP;10000nF,10%,10V,X5R,2012	1	S.A	
...4	C120	2203-006361	C-CER,CHIP;10000nF,10%,10V,X5R,2012	1	S.A	
...4	C120	2203-006361	C-CER,CHIP;10000nF,10%,10V,X5R,2012	1	S.A	
...4	C120	2203-006361	C-CER,CHIP;10000nF,10%,10V,X5R,2012	1	S.A	
...4	C120	2203-006361	C-CER,CHIP;10000nF,10%,10V,X5R,2012	1	S.A	
...4	C120	2203-006361	C-CER,CHIP;10000nF,10%,10V,X5R,2012	1	S.A	
...4	C120	2203-006361	C-CER,CHIP;10000nF,10%,10V,X5R,2012	1	S.A	
...4	C120	2203-006361	C-CER,CHIP;10000nF,10%,10V,X5R,2012	1	S.A	
...4	C120	2203-006361	C-CER,CHIP;10000nF,10%,10V,X5R,2012	1	S.A	
...4	C120	2203-006361	C-CER,CHIP;10000nF,10%,10V,X5R,2012	1	S.A	
...4	C120	2203-006361	C-CER,CHIP;10000nF,10%,10V,X5R,2012	1	S.A	
...4	C120	2203-006361	C-CER,CHIP;10000nF,10%,10V,X5R,2012	1	S.A	
...4	C120	2203-006361	C-CER,CHIP;10000nF,10%,10V,X5R,2012	1	S.A	
...4	C120	2203-006361	C-CER,CHIP;10000nF,10%,10V,X5R,2012	1	S.A	
...4	C120	2203-006361	C-CER,CHIP;10000nF,10%,10V,X5R,2012	1	S.A	
...4	C120	2203-006361	C-CER,CHIP;10000nF,10%,10V,X5R,2012	1	S.A	
...4	C120	2203-006361	C-CER,CHIP;10000nF,10%,10V,X5R,2012	1	S.A	
...4	C120	2203-006361	C-CER,CHIP;10000nF,10%,10V,X5R,2012	1	S.A	
...4	C120	2203-006361	C-CER,CHIP;10000nF,10%,10V,X5R,2012	1	S.A	
...4	C120	2203-006361	C-CER,CHIP;10000nF,10%,10V,X5R,2012	1	S.A	
...4	C120	2203-006361	C-CER,CHIP;10000nF,10%,10V,X5R,2012	1	S.A	
...4	C120	2203-006361	C-CER,CHIP;10000nF,10%,10V,X5R,2012	1	S.A	
...4	C120	2203-006361	C-CER,CHIP;10000nF,10%,10V,X5R,2012	1	S.A	
...4	C120	2203-006399	C-CER,CHIP;1000nF,10%,6.3V,X5R,1005	1	S.A	
...4	C120	2203-006399	C-CER,CHIP;1000nF,10%,6.3V,X5R,1005	1	S.A	
...4	C120	2203-006399	C-CER,CHIP;1000nF,10%,6.3V,X5R,1005	1	S.A	
...4	C120	2203-006399	C-CER,CHIP;1000nF,10%,6.3V,X5R,1005	1	S.A	
...4	C120	2203-006399	C-CER,CHIP;1000nF,10%,6.3V,X5R,1005	1	S.A	
...4	C120	2203-006399	C-CER,CHIP;1000nF,10%,6.3V,X5R,1005	1	S.A	
...4	C120	2203-006399	C-CER,CHIP;1000nF,10%,6.3V,X5R,1005	1	S.A	
...4	C120	2203-006399	C-CER,CHIP;1000nF,10%,6.3V,X5R,1005	1	S.A	
...4	C120	2203-006399	C-CER,CHIP;1000nF,10%,6.3V,X5R,1005	1	S.A	
...4	C120	2203-006399	C-CER,CHIP;1000nF,10%,6.3V,X5R,1005	1	S.A	
...4	C120	2203-006399	C-CER,CHIP;1000nF,10%,6.3V,X5R,1005	1	S.A	
...4	C120	2203-007176	C-CER,CHIP;10000nF,10%,16V,X5R,TP,2012 (1	S.N.A	
...4	C120	2203-007176	C-CER,CHIP;10000nF,10%,16V,X5R,TP,2012 (1	S.N.A	
...4	C9014	2402-001323	C-AL,SMD;100##F,20,25V,LZ,TP,6.3X8mm	1	S.A	
...4	C9017	2402-001323	C-AL,SMD;100##F,20,25V,LZ,TP,6.3X8mm	1	S.A	
...4	C1086	2409-001129	C-POLYMER ,CHIP;100uF,20%,6.3V,WT,TP,3.5	1	S.A	
...4	T0052	2703-000158	INDUCTOR-SMD;1uH,10%,2012	1	S.A	
...4	T0052	2703-000158	INDUCTOR-SMD;1uH,10%,2012	1	S.A	
...4	T0052	2703-000158	INDUCTOR-SMD;1uH,10%,2012	1	S.A	
...4	T0052	2703-000158	INDUCTOR-SMD;1uH,10%,2012	1	S.A	
...4	T0052	2703-000398	INDUCTOR-SMD;10uH,10%,3225	1	S.A	
...4	T0052	2703-000398	INDUCTOR-SMD;10uH,10%,3225	1	S.A	
...4	T0052	2703-000398	INDUCTOR-SMD;10uH,10%,3225	1	S.A	

5. Exploded View & Part List

Level	Location No.	Code No.	Description & Specification	Q'ty	SA/SNA	Remark
....4	T0052	2703-000398	INDUCTOR-SMD;10uH,10%,3225	1	S.A	
....4	T0052	2703-000398	INDUCTOR-SMD;10uH,10%,3225	1	S.A	
....4	T0052	2703-000398	INDUCTOR-SMD;10uH,10%,3225	1	S.A	
....4	T0052	2703-000398	INDUCTOR-SMD;10uH,10%,3225	1	S.A	
....4	T0052	2703-000398	INDUCTOR-SMD;10uH,10%,3225	1	S.A	
....4	T0052	2703-000398	INDUCTOR-SMD;10uH,10%,3225	1	S.A	
....4	T0052	2703-000398	INDUCTOR-SMD;10uH,10%,3225	1	S.A	
....4	T0052	2703-000417	INDUCTOR-SMD;220uH,5%,3225	1	S.A	
....4	T0052	2703-001426	INDUCTOR-SMD;680uH,20%,7070	1	S.A	
....4	L9001	2704-000018	INDUCTOR-SMD-ARRAY;15uH,2000mA,2,0.124oh	1	S.N.A	
....4	L9002	2704-000018	INDUCTOR-SMD-ARRAY;15uH,2000mA,2,0.124oh	1	S.N.A	
....4	X202	2801-003773	CRYSTAL-SMD;12MHz,30ppm,28-AAN,20pF,50oh	1	S.A	
....4	X202	2801-004604	CRYSTAL-SMD;24.69MHz,30ppm,27pF,40ohm,TP	1	S.A	
....4	T0568	3301-000314	BEAD-SMD;120ohm,1.6x0.8x0.8mm,-,-,-	1	S.N.A	
....4	T0568	3301-000314	BEAD-SMD;120ohm,1.6x0.8x0.8mm,-,-,-	1	S.N.A	
....4	T0568	3301-001145	BEAD-SMD;60ohm,4516,TP,70ohm/45MHz,82ohm	1	S.N.A	
....4	T0568	3301-001145	BEAD-SMD;60ohm,4516,TP,70ohm/45MHz,82ohm	1	S.N.A	
....4	T0568	3301-001145	BEAD-SMD;60ohm,4516,TP,70ohm/45MHz,82ohm	1	S.N.A	
....4	T0568	3301-001145	BEAD-SMD;60ohm,4516,TP,70ohm/45MHz,82ohm	1	S.N.A	
....4	T0568	3301-001145	BEAD-SMD;60ohm,4516,TP,70ohm/45MHz,82ohm	1	S.N.A	
....4	T0568	3301-001145	BEAD-SMD;60ohm,4516,TP,70ohm/45MHz,82ohm	1	S.N.A	
....4	T0568	3301-001145	BEAD-SMD;60ohm,4516,TP,70ohm/45MHz,82ohm	1	S.N.A	
....4	T0568	3301-001145	BEAD-SMD;60ohm,4516,TP,70ohm/45MHz,82ohm	1	S.N.A	
....4	T0568	3301-001145	BEAD-SMD;60ohm,4516,TP,70ohm/45MHz,82ohm	1	S.N.A	
....4	T0568	3301-001145	BEAD-SMD;60ohm,4516,TP,70ohm/45MHz,82ohm	1	S.N.A	
....4	T0568	3301-001145	BEAD-SMD;60ohm,4516,TP,70ohm/45MHz,82ohm	1	S.N.A	
....4	T0568	3301-001145	BEAD-SMD;60ohm,4516,TP,70ohm/45MHz,82ohm	1	S.N.A	
....4	T0568	3301-001145	BEAD-SMD;60ohm,4516,TP,70ohm/45MHz,82ohm	1	S.N.A	
....4	T0568	3301-001145	BEAD-SMD;60ohm,4516,TP,70ohm/45MHz,82ohm	1	S.N.A	
....4	T0568	3301-001145	BEAD-SMD;60ohm,4516,TP,70ohm/45MHz,82ohm	1	S.N.A	
....4	T0568	3301-001145	BEAD-SMD;60ohm,4516,TP,70ohm/45MHz,82ohm	1	S.N.A	
....4	T0568	3301-001145	BEAD-SMD;60ohm,4516,TP,70ohm/45MHz,82ohm	1	S.N.A	
....4	T0568	3301-001145	BEAD-SMD;60ohm,4516,TP,70ohm/45MHz,82ohm	1	S.N.A	
....4	T0568	3301-001145	BEAD-SMD;60ohm,4516,TP,70ohm/45MHz,82ohm	1	S.N.A	
....4	T0568	3301-001145	BEAD-SMD;60ohm,4516,TP,70ohm/45MHz,82ohm	1	S.N.A	
....4	T0568	3301-001236	BEAD-SMD;60ohm,1608,-,-,-	1	S.N.A	
....4	T0568	3301-001236	BEAD-SMD;60ohm,1608,-,-,-	1	S.N.A	
....4	T0568	3301-001236	BEAD-SMD;60ohm,1608,-,-,-	1	S.N.A	
....4	T0568	3301-001236	BEAD-SMD;60ohm,1608,-,-,-	1	S.N.A	
....4	T0568	3301-001236	BEAD-SMD;60ohm,1608,-,-,-	1	S.N.A	
....4	T0568	3301-001236	BEAD-SMD;60ohm,1608,-,-,-	1	S.N.A	
....4	T0568	3301-001236	BEAD-SMD;60ohm,1608,-,-,-	1	S.N.A	
....4	T0568	3301-001236	BEAD-SMD;60ohm,1608,-,-,-	1	S.N.A	
....4	T0568	3301-001236	BEAD-SMD;60ohm,1608,-,-,-	1	S.N.A	
....4	T0568	3301-001324	BEAD-SMD;15ohm,2012,600mA,TP,,0.1ohm	1	S.A	
....4	T0568	3301-001324	BEAD-SMD;15ohm,2012,600mA,TP,,0.1ohm	1	S.A	
....4	T0568	3301-001324	BEAD-SMD;15ohm,2012,600mA,TP,,0.1ohm	1	S.A	
....4	T0568	3301-001324	BEAD-SMD;15ohm,2012,600mA,TP,,0.1ohm	1	S.A	
....4	T0568	3301-001404	BEAD-SMD;30ohm,2012,TP,15.9OHM/30MHz	1	S.A	
....4	T0568	3301-001404	BEAD-SMD;30ohm,2012,TP,15.9OHM/30MHz	1	S.A	
....4	T0568	3301-001404	BEAD-SMD;30ohm,2012,TP,15.9OHM/30MHz	1	S.A	
....4	T0568	3301-001404	BEAD-SMD;30ohm,2012,TP,15.9OHM/30MHz	1	S.A	
....4	T0568	3301-001404	BEAD-SMD;30ohm,2012,TP,15.9OHM/30MHz	1	S.A	

5. Exploded View & Part List

Level	Location No.	Code No.	Description & Specification	Q'ty	SA/SNA	Remark
...4	T0568	3301-001404	BEAD-SMD;30ohm,2012,TP,15.9OHM/30MHz	1	S.A	
...4	T0568	3301-001526	BEAD-SMD;10ohm,1.6x0.8x0.8mm,1000mA,TP,,	1	S.N.A	
...4	T0568	3301-001526	BEAD-SMD;10ohm,1.6x0.8x0.8mm,1000mA,TP,,	1	S.N.A	
...4	T0568	3301-001526	BEAD-SMD;10ohm,1.6x0.8x0.8mm,1000mA,TP,,	1	S.N.A	
...4	T0568	3301-001526	BEAD-SMD;10ohm,1.6x0.8x0.8mm,1000mA,TP,,	1	S.N.A	
...4	T0568	3301-001526	BEAD-SMD;10ohm,1.6x0.8x0.8mm,1000mA,TP,,	1	S.N.A	
...4	T0568	3301-001526	BEAD-SMD;10ohm,1.6x0.8x0.8mm,1000mA,TP,,	1	S.N.A	
...4	T0568	3301-001560	BEAD-SMD;80ohm,1.6X0.8X0.8mm,200mA,TP,,,	1	S.N.A	
...4	T0568	3301-001560	BEAD-SMD;80ohm,1.6X0.8X0.8mm,200mA,TP,,,	1	S.N.A	
...4	T0568	3301-001560	BEAD-SMD;80ohm,1.6X0.8X0.8mm,200mA,TP,,,	1	S.N.A	
...4	T0568	3301-001560	BEAD-SMD;80ohm,1.6X0.8X0.8mm,200mA,TP,,,	1	S.N.A	
...4	T0568	3301-001560	BEAD-SMD;80ohm,1.6X0.8X0.8mm,200mA,TP,,,	1	S.N.A	
...4	T0568	3301-001560	BEAD-SMD;80ohm,1.6X0.8X0.8mm,200mA,TP,,,	1	S.N.A	
...4	T0568	3301-001560	BEAD-SMD;80ohm,1.6X0.8X0.8mm,200mA,TP,,,	1	S.N.A	
...4	T0568	3301-001560	BEAD-SMD;80ohm,1.6X0.8X0.8mm,200mA,TP,,,	1	S.N.A	
...4	T0568	3301-001560	BEAD-SMD;80ohm,1.6X0.8X0.8mm,200mA,TP,,,	1	S.N.A	
...4	T0568	3301-001560	BEAD-SMD;80ohm,1.6X0.8X0.8mm,200mA,TP,,,	1	S.N.A	
...4	T0568	3301-001560	BEAD-SMD;80ohm,1.6X0.8X0.8mm,200mA,TP,,,	1	S.N.A	
...4	T0313	3404-001207	SWITCH-TACT;12V,50mA,160gf,6.2X6.2,SPST	1	S.A	
...4	JA7001	3701-001367	CONNECTOR-HDMI;19P,2R,FEMALE,SMD,AU	1	S.A	
...4	JA7002	3701-001367	CONNECTOR-HDMI;19P,2R,FEMALE,SMD,AU	1	S.A	
...4	CN3002	3708-001150	CONNECTOR-FPC/FFC/PIC;30P,1mm,SMD-A,SN,Y	1	S.A	
...4	T0077	BN41-00965A	PCB MAIN;FR-4,4,1.2T,192*158	1	S.N.A	
...4	M0107	BN61-03858A	BRACKET-PCB;L450,BRASS(H62Y),T0.4,5mm,7m	1	S.N.A	
...4	M0107	BN61-03858A	BRACKET-PCB;L450,BRASS(H62Y),T0.4,5mm,7m	1	S.N.A	
...4	M0107	BN61-03858A	BRACKET-PCB;L450,BRASS(H62Y),T0.4,5mm,7m	1	S.N.A	
...4	M0107	BN61-03858A	BRACKET-PCB;L450,BRASS(H62Y),T0.4,5mm,7m	1	S.N.A	
...4	M0018	BN97-02014A	ASSY MICOM;T-CRLAUSC-XXXX,N45A,2007.11.0	1	S.N.A	
....5	IC2005	1107-001735	IC-NOR FLASH;MX25L3205DM2I-12G,32Mbit,16	1	S.A	
...4	R110	2007-007587	R-CHIP;3.6Kohm,1%,1/16W,TP,1005	1	S.N.A	
...3	SUB09	BN61-02470D	HOLDER-CLAMP DMD;NYLON 6/6,NATURAL,DACN-	1	S.N.A	
...3	T0334	AA60-00040A	SPACER-CRT;OD8,ID4,BLK,-,-,-,-,-,-,-,-	1	S.N.A	
0.1	M0019	BN91-02147E	ASSY LCD;LN40A330J1DXZA	1	S.N.A	
..2	M0215	BN07-00523A	LCD-PANEL;LTF400AA01,8bit,40inch,16.7M,1	1	S.A	
0.1	M0113	BN92-02396K	ASSY P/MATERIAL;40L330,UO	1	S.N.A	
..2	T0524	6902-000739	BAG PE;HDPE/HDPE/NITRON,T0.015/T0.015/T1	1	S.N.A	
..2	B/PP	6922-000003	BAND PP;PP,T0.8,W18,L1650M,TRP,DA69-9014	4.22	S.N.A	
..2	T0214	AA61-20285C	HOLDER-BOX;CORAL,PP,BLACK,HB	2	S.N.A	
0.1	M0003	BN92-02832E	ASSY BOX;40L330,UO	1	S.N.A	
..2	B/OUT	BN69-02508A	BOX-SET,OUT;L330-40(SAMEX),CB,A1,DY-01,W	1.02	S.N.A	
..2	M0521	BN69-02509A	BOX-SET,IN;L330-40(SAMEX),CB,A1,DY-01,W1	1.01	S.N.A	
0.1	M0045	BN92-03346E	ASSY ACCESSORY;LN40A330J1DXZA	1	S.N.A	
..2	M0045	BN96-07097A	ASSY ACCESSORY;LN37/40A330J1DXZA	1	S.N.A	
...3	T0268	3903-000144	CBF-POWER CORD;DT,US,BP3/Y,U(IEC C13-RA)	1	S.A	
...3	T0524	6902-000018	BAG PE;LDPE,T0.1,W280,L400,CLEAR,8,2	1	S.N.A	
...3	REV 06	AA68-00371C	MARK RECYCLE-CARD WARRANTY,06,SEA,W/P10	1	S.N.A	
...3	CLOTH	BN63-01798A	CLOTH-CLEAN;RE40**,CLOTH,180,200,RHCM	1	S.N.A	
...3	T0531	BN63-03127A	COVER-BOTTOM;37,40S81,HIPS,-,-,-,V0,-,BK	1	S.N.A	
...3	T0210	AA68-03242L	MANUAL FLYER-01,SAFETY GUIDE;comm,Samsun	1	S.N.A	

5. Exploded View & Part List

Level	Location No.	Code No.	Description & Specification	Q'ty	SA/SNA	Remark
...3	T0074	BN59-00678A	REMOCON;TM-95,39,AMERICA	1	S.A	
...3	T0511	BN68-01514A	MANUAL USERS;COMM,SAMSUNG,Eng/Spa,USA,W/	1	S.N.A	
...3		BN68-01516A	MANUAL FLYER-QSG;COMM,SAMSUNG,Eng,N.Amer	1	S.N.A	
0.1	M0019	BN92-03347E	ASSY LABEL;LN40A330J1DXZA	1	S.N.A	
....4	T0568	3301-001145	BEAD-SMD;60ohm,4516,TP,70ohm/45MHz,82ohm	1	S.N.A	

Memo