

8. Exploded Views and Parts List(ML-3561ND/XAX)

Contents

8.1	Main Assembly	p.8-2
8.2	Cover Assembly	p.8-3
8.3	Frame Assembly	p.8-4
8.4	Fuser Unit	p.8-6
8.5	REGI Assembly	p.8-7
8.6	Main Motor Assembly	p.8-8
8.7	Deve Motor Assembly	p.8-9
8.8	Exit Sorenoid Assembly	p.8-10
8.9	Cassette Assembly	p.8-11

Part Number & Description format.

Part numbers and descriptions are defined according to a company standard. The information below will help you to understand the part number format and assist when ordering spare parts.

- There are two types of Part number format.

●●●●●-●●●●●●●●	ex) 2007-007961	R-CHIP
■●●●●-●●●●●●●●	ex) JB96-01268A	ELA UNIT-COVER TOP

It shows part specific

(● : number ■ : letter)

Type 1 : This format is used throughout Samsung on all product ranges.
Typically it is used for small components and electronic parts.

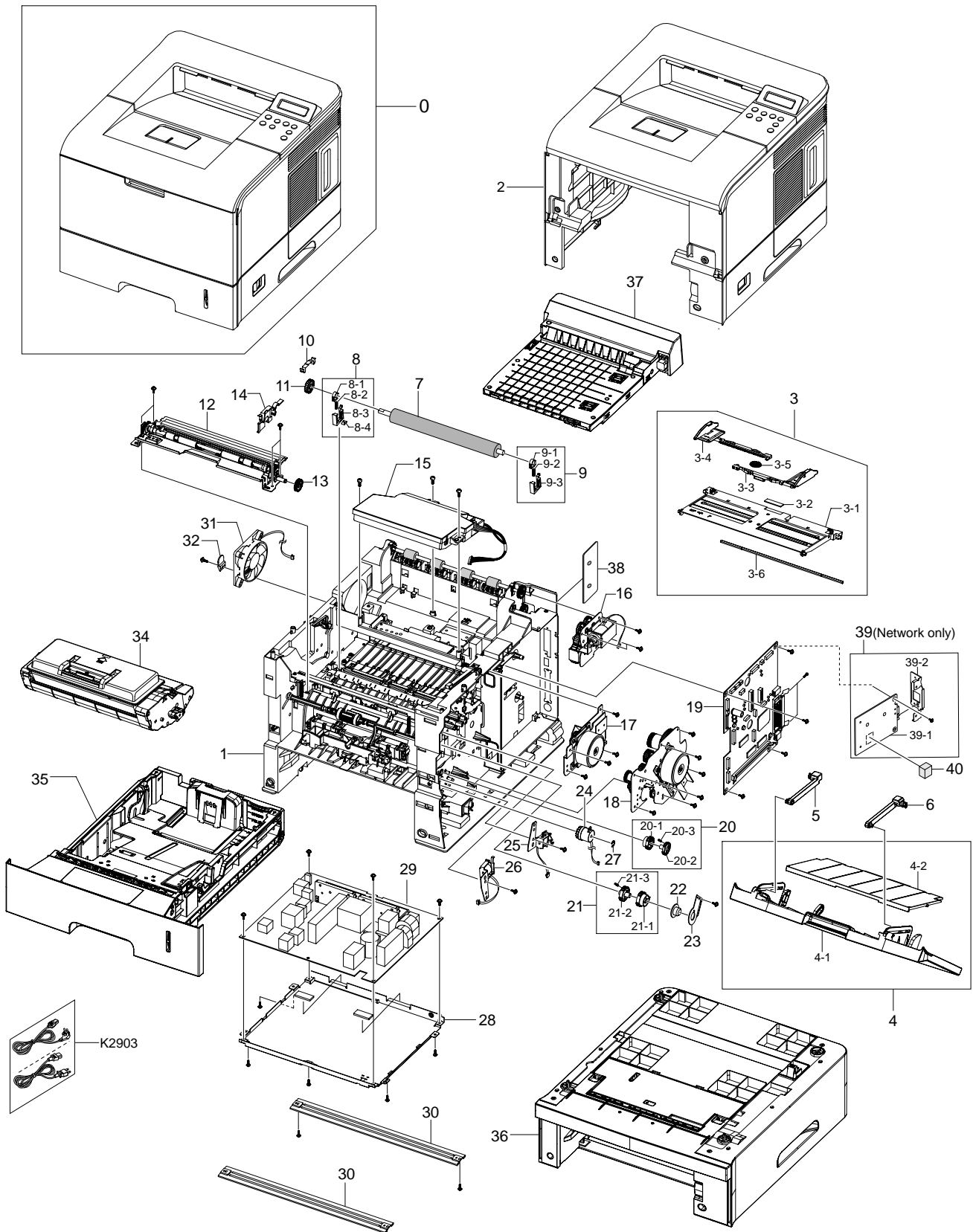
Type 2 : This format is controlled by individual Samsung Divisions and is used on specific products, typically for mechanical parts. Type 2 format part numbers fall into 2 categories:

- **A/S privately used part** : It is only used for A/S .
- **Ass'y part** : Assemblies consisting of 2 or more parts. Also used for Service manuals, user guides and diagrams.

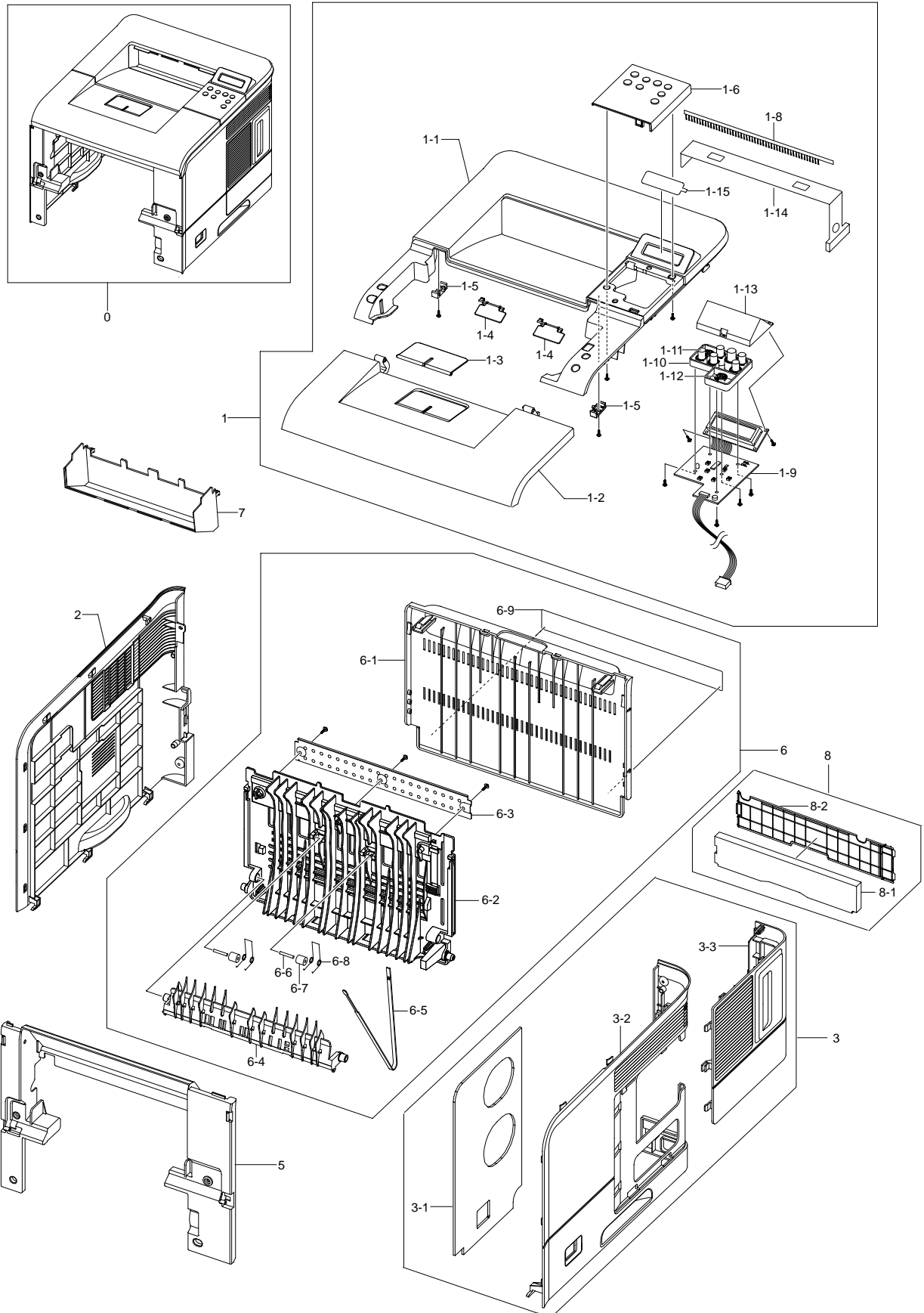
• Ass'y parts and A/S privately used Parts can be distinguished by the part Code and Description. They are always Type 2 format. The 2 leading characters indicate private or assembly parts.

DIVISION	PART CODE	DESCRIPTION
A/S Private	**81-***** (JB81-00039A)	AS-***** (AS-USE)
ASS'Y Part	**75-***** (JB75-00068A)	MEC-***** (MEC-CHUTE)
ASS'Y Part	**92-***** (JB92-01131A)	PBA ***** (PBA MAIN-CONTROLLER)
ASS'Y Part	**97-***** (JB97-01089A)	MEA ***** (MEA UNIT-PULLEY IDLE)

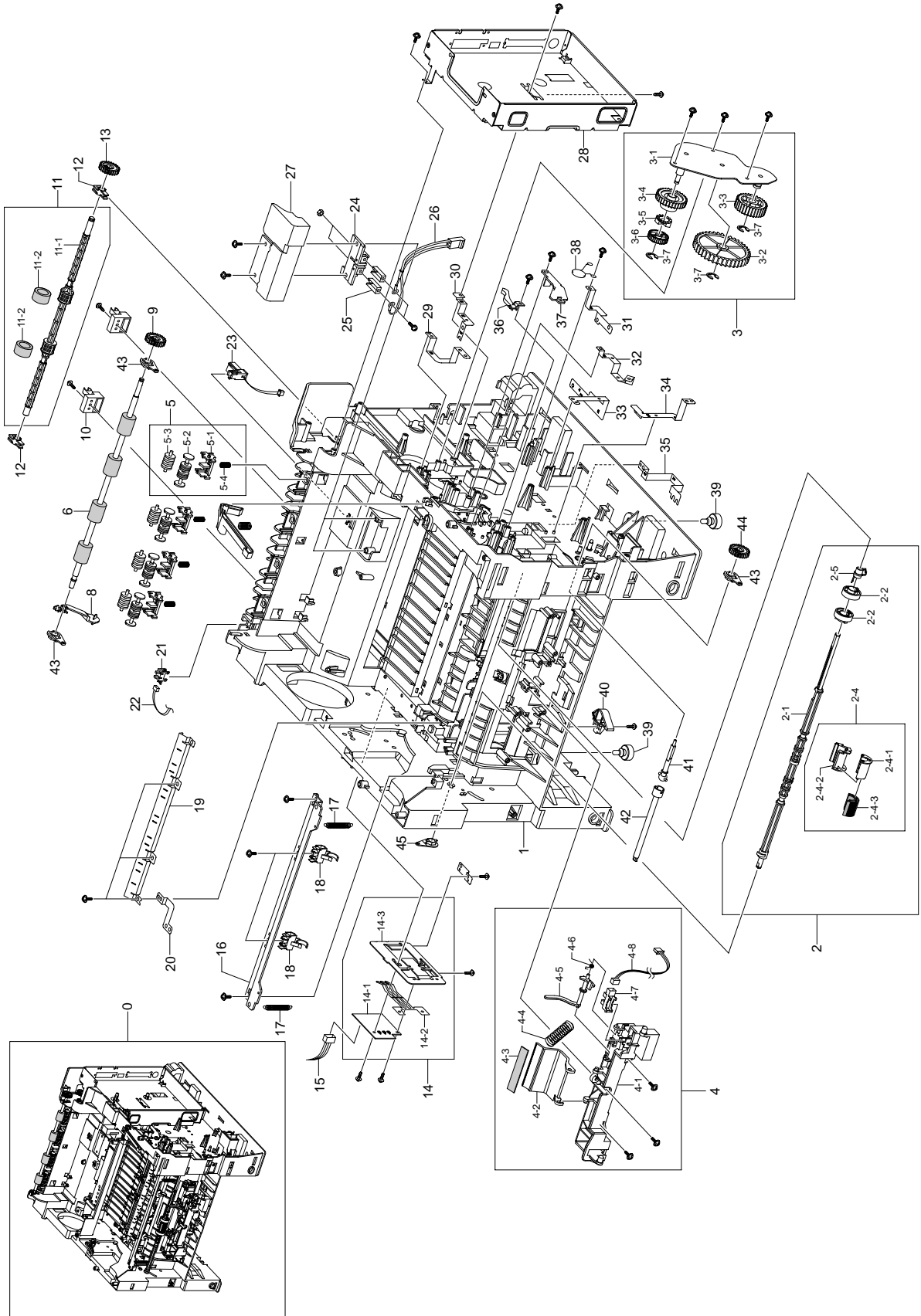
8.1 Main Assembly



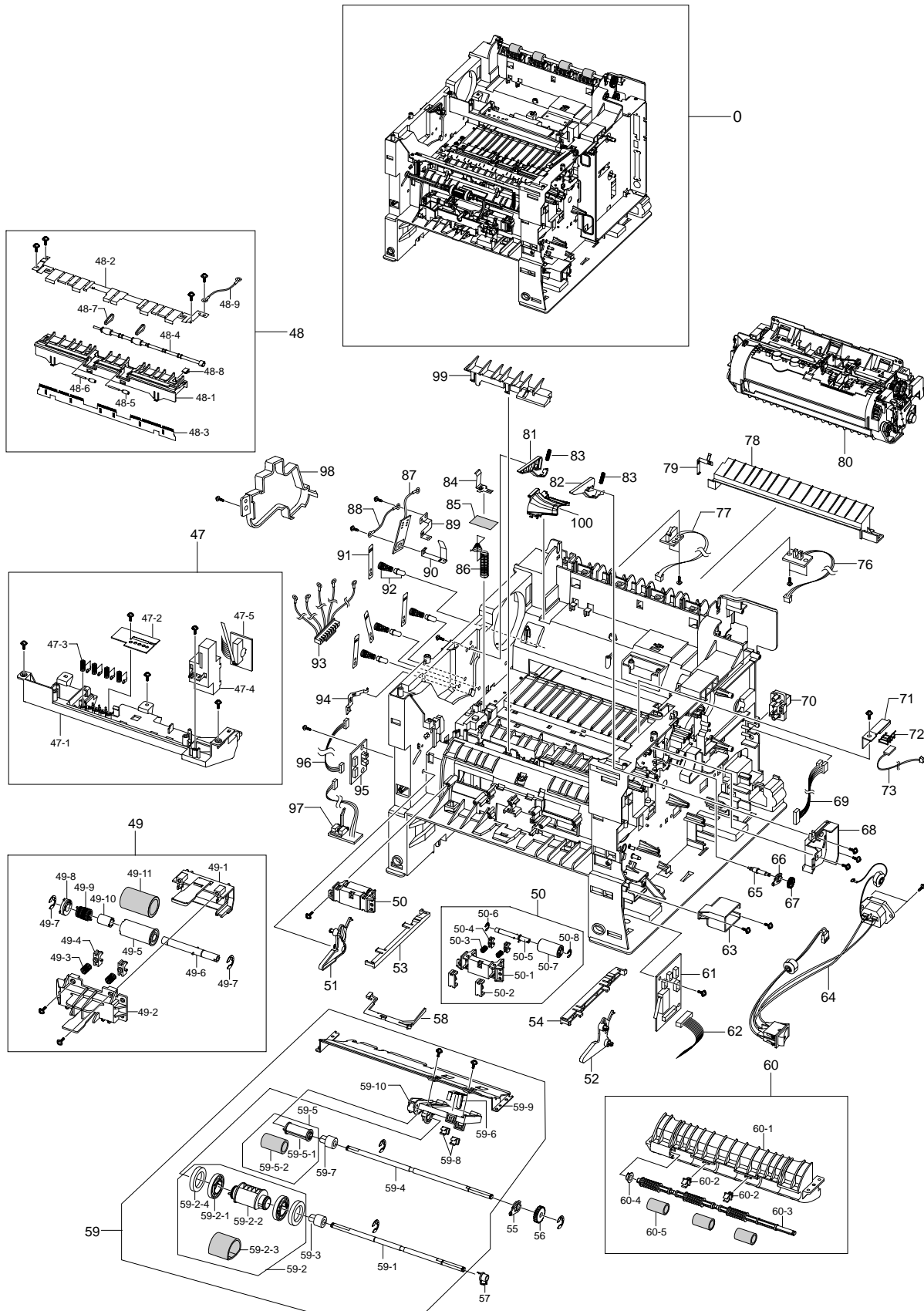
8.2 Cover Assembly



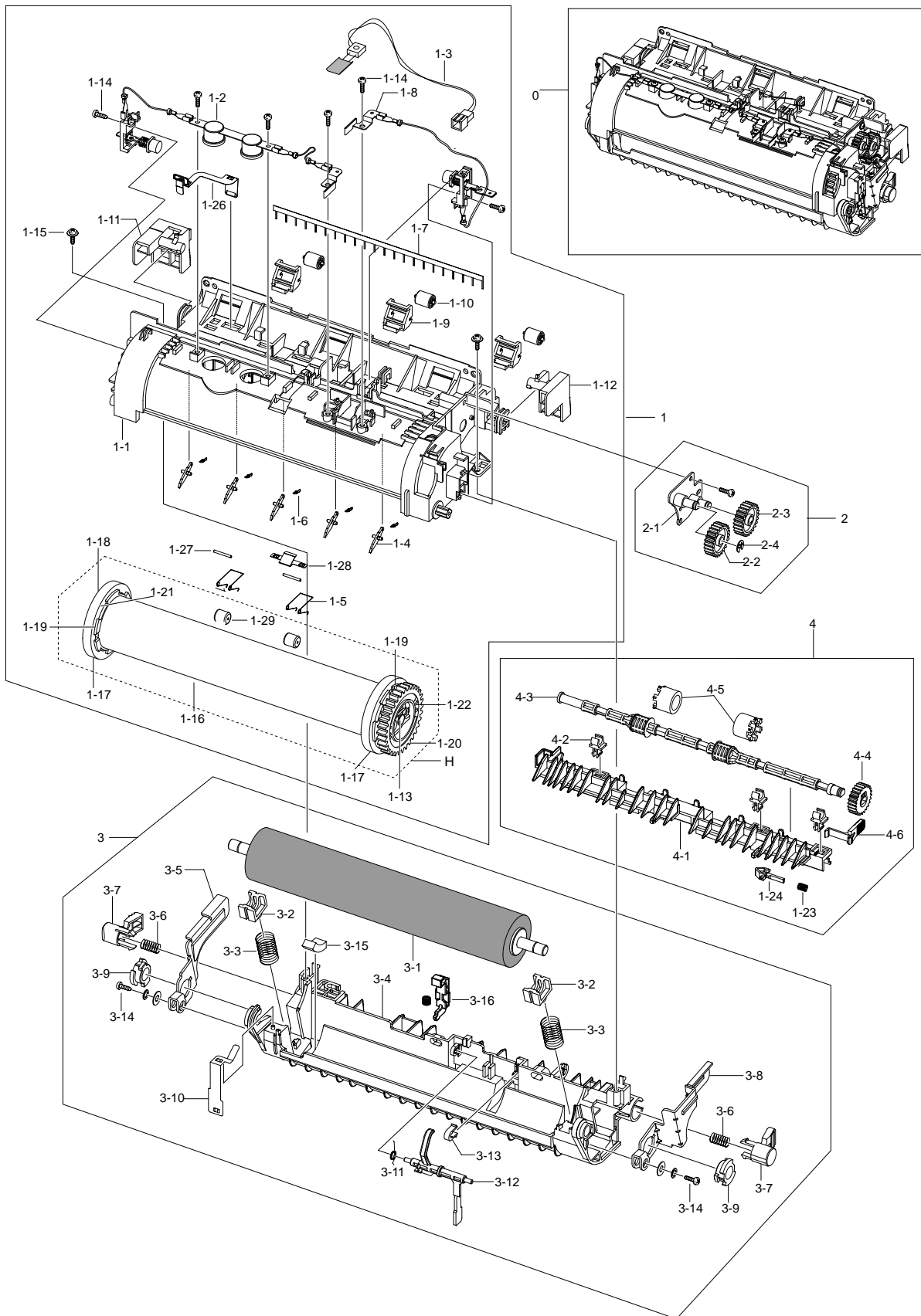
8.3 Frame Assembly(1/2)



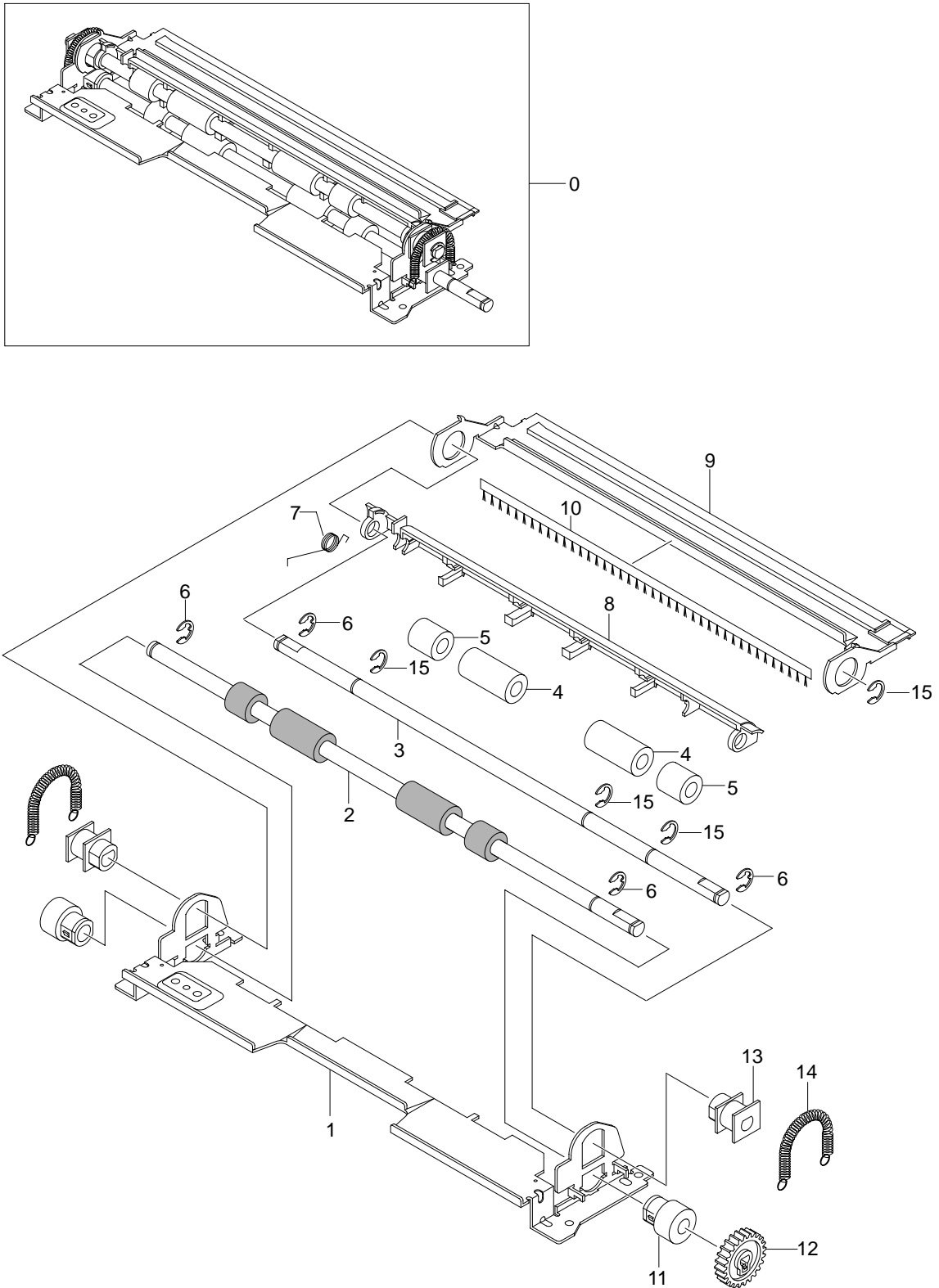
Frame Assembly(2/2)



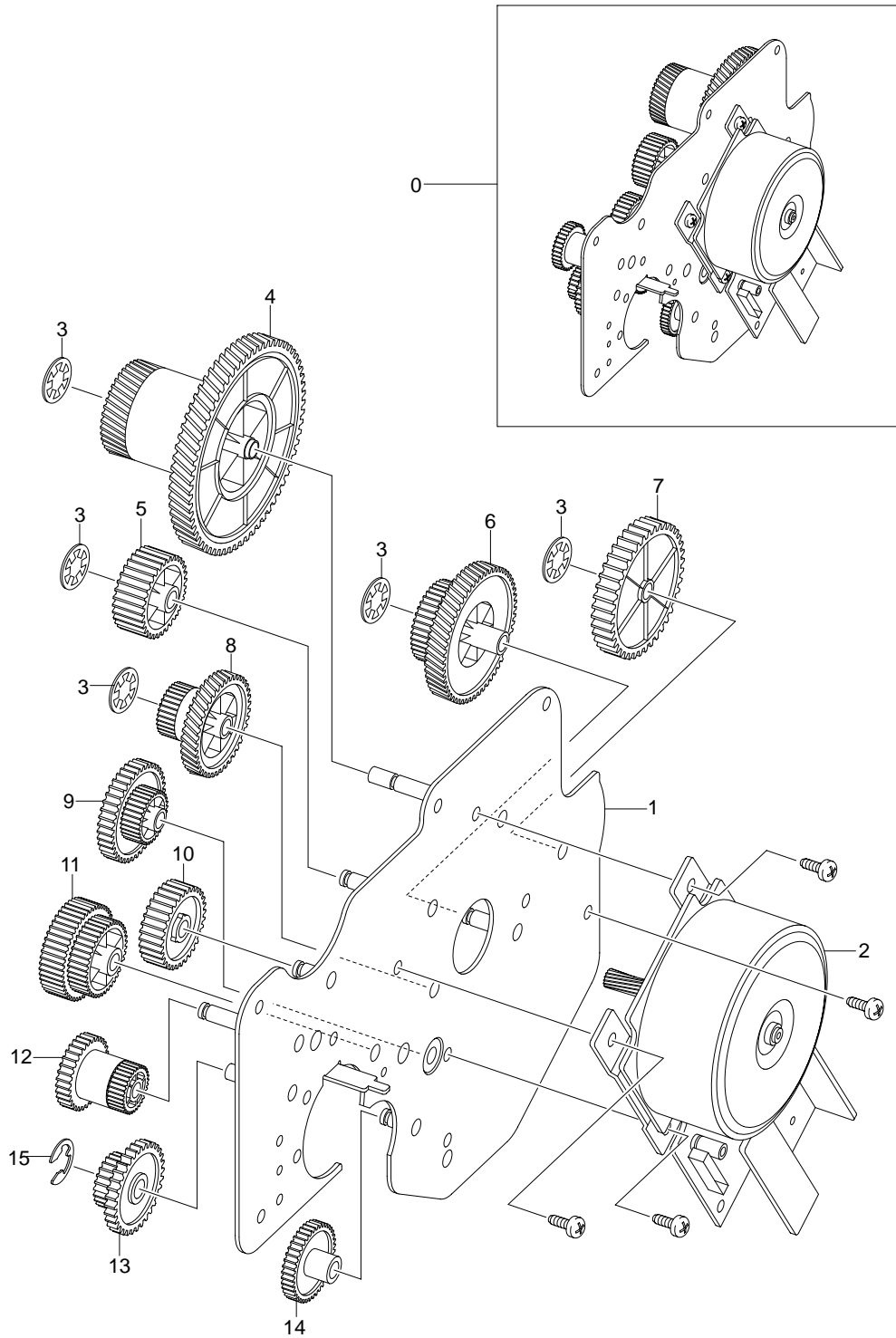
8.4 Fuser Unit



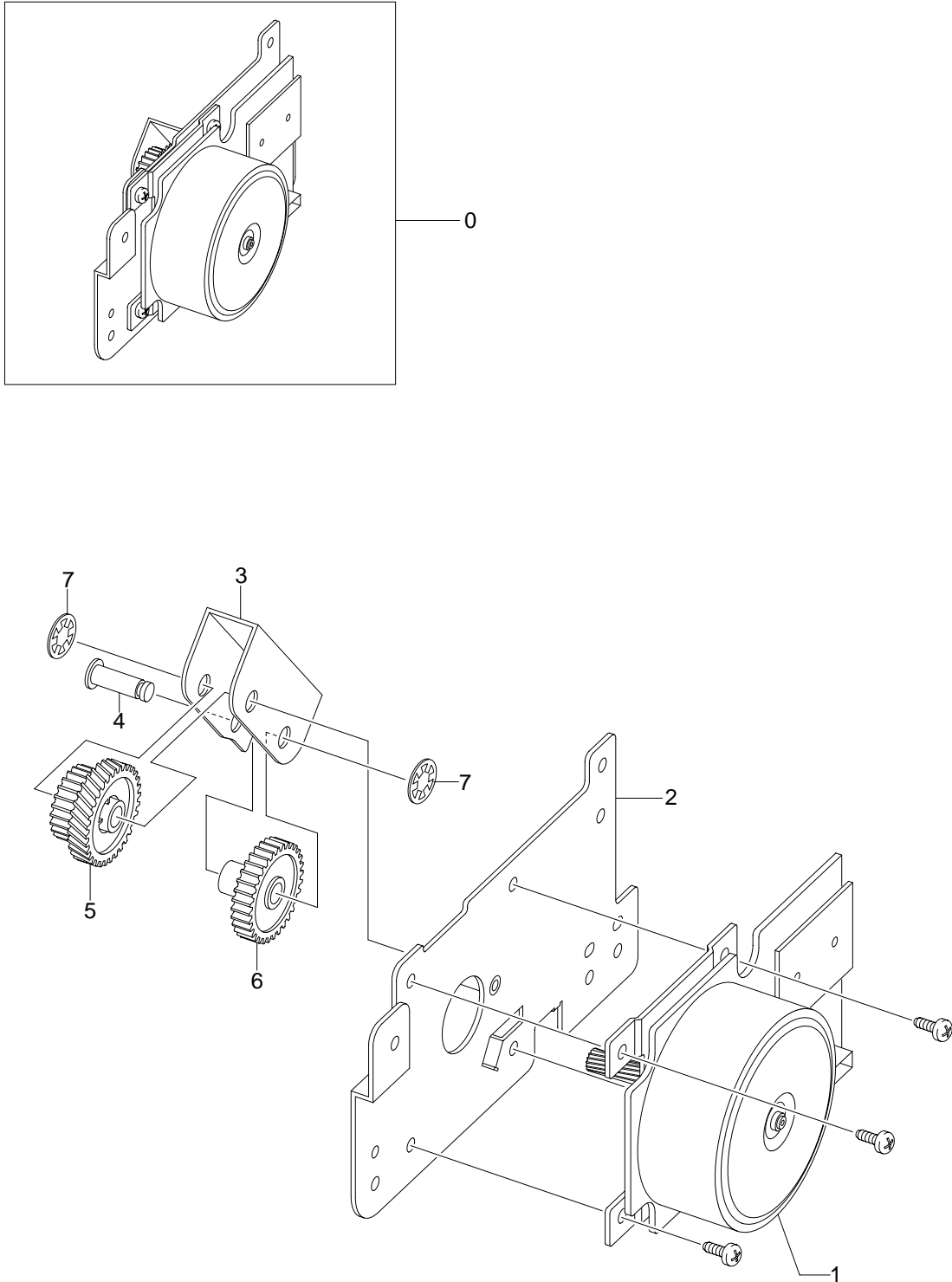
8.5 REGI Assembly



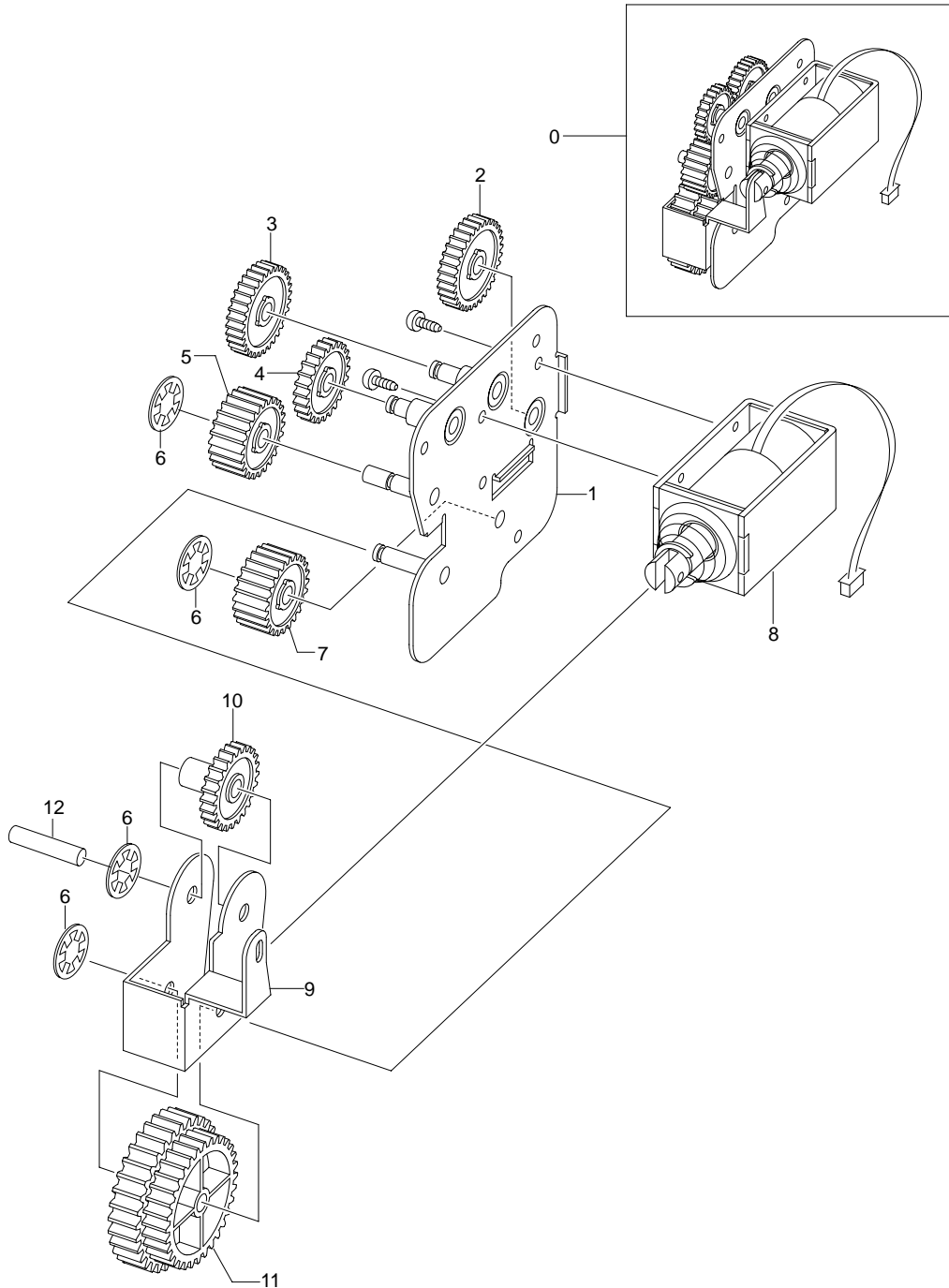
8.6 Main Motor Assembly



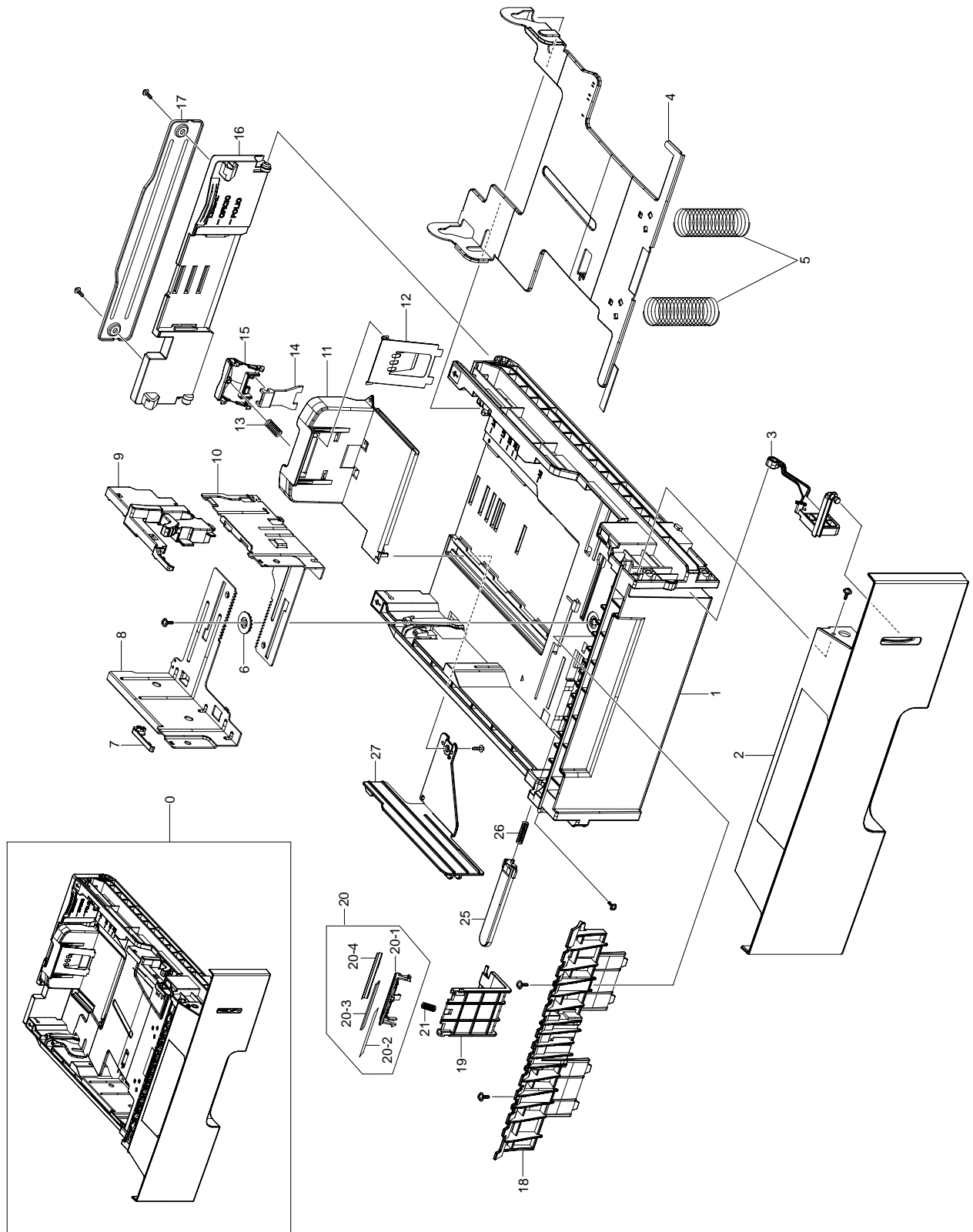
8.7 Deve Motor Assembly



8.8 Duplex Sorenoid Assembly



8.9 Cassette Assembly



Parts List (ML-3561ND/XAX)

Service BOM(SA : Service Available, SNA : Service not Available)

Drawer# (Section-No)	Part Code	Description	Location	Status (SA/SNA)
8.1-1	JC96-03416A	ELA UNIT-FRAME BASE;ML-3560,XEROX,-,110V		SA
8.1-2	JC96-03402E	ELA HOU BASE-HOUSHING;ML-3561ND,SEC,EXPO		SNA
8.1-3	JC97-02230B	MEA UNIT-KNOCK_UP MP;ML-3560,SEC,-,110V/	G0470	SA
8.1-3-1	JC61-01251B	PLATE-M KNOCK UP MP;ML-3560,ABS,T2.2,W11	W3027	SA
8.1-3-2	JC74-00011A	MPR-PAD KNOCK UP MP;ML-6060A,CR+CORK,10*	K5007	SA
8.1-3-3	JC72-01006B	PMO-SIDE GUIDE MP(R);ML-2150/XXR,HIPS,G6	G2301	SA
8.1-3-4	JC72-01005B	PMO-SIDE GUIDE MP(L);ML-2150/XXR,HIPS,G6	G2299	SA
8.1-3-5	JG66-40003A	GEAR-PINION;SF4000,POM,WHT,M1,Z16	G0035	SA
8.1-3-6	JC66-00895A	SHAFT-REINFORCEMENT;ML-3560,SUM22+NI,L24		SNA
8.1-4	JC97-02231A	MEA UNIT-COVER MP_SEC;ML-3560,SEC,-,110V	E4062	SA
8.1-4-1	JC63-00695A	COVER-M-MP_SEC;ML-3560,ABS,T2.5,W182.3,L		SNA
8.1-4-2	JC63-00691B	TRAY-M_EXTEND_MP;ML-3560,HIPS,T2.5,W147.	K4281	SA
8.1-5	JC63-00694B	TRAY-M_LINK MP(L);ML-3560,ABS,T2.0,W23.2	K4282	SA
8.1-6	JC63-00689B	TRAY-M_LINK MP(R);ML-3560,ABS,T2.0,W23.2	K4283	SA
8.1-7	JC66-00540A	ROLLER-TRANSFER;ML-2150,NBR SPONGE+SUM/N	Z3014	SA
8.1-8	JC96-01729A	ELA UNIT-HOLDER TR R;ML-6060A,SAMSUNG,SE	K3139	SA
8.1-8-1	JC72-41142A	PMO-BUSHING TR;ML-5000A,POM(CF-610,CH-15		SNA
8.1-8-2	JC61-00046A	SPRING ETC-TR R HAWK;ML-6060A,SUS 304 WP		SNA
8.1-8-3	JC72-41145C	PMO-TRANSFER HOLDER R;ML-6060A,ABS,PANTO		SNA
8.1-8-4	JC70-11053A	IPR-PLATE TR;ML-5000A,PB(C5210P),-,T0.15		SNA
8.1-9	JC96-01730A	ELA UNIT-HOLDER TR L;ML-6060A,SAMSUNG,SE	K3138	SA
8.1-9-2	JC61-00047A	SPRING ETC-TR L HAWK;ML-6060A,SWP-B,-,-,	S0033	SA
8.1-9-3	JC72-41145D	PMO-TRANSFER HOLDER L;ML-6060A,ABS,GRAY,		SNA
8.1-10	JC72-41292B	PMO-CAP TR;ML-3560,POM,C75064,45.4*6.6,M	Z0015	SA
8.1-11	JC66-00039A	GEAR-TR29;ML-6060A,POM,BLK,0.6,29	G0439	SA
8.1-12	JC96-03665A	ELA UNIT-REGI;ML-3560,XEROX,-,REGI,-,-,-	K3142	SA
8.1-13	JC66-00420A	GEAR-REGI Z25;ML-2150,M90-44,0.8,25,5.6,	G0415	SA
8.1-14	JC67-00039A	CAP-M-GEAR;ML-2150,POM,-,-,-,BLK,-	C1013	SA
8.1-15	JC59-00024A	UNIT-LSU;ML-3560,-,-,LETTER 35PPM ,600DP	K4284	SA
8.1-16	JC96-03426A	ELA UNIT-EXIT SOL;ML-3560,XOG/SEC,USA,UN	K3059	SA
8.1-17	JC96-03408A	ELA UNIT-DEVE MOTOR;ML-3560,XOG/SEC,USA,	K3057	SA
8.1-18	JC96-03409A	ELA UNIT-MAIN MOTOR;ML-3560,XOG/SEC,USA,	K3140	SA
8.1-19	JC92-01657C	PBA MAIN-MAIN;ML-3560,SEC,EXPORT,KESTREL		SA
8.1-20	JC97-02226A	MEA UNIT-GEAR PICK UP;ML-3560,XOG/SEC,US	G0468	SA
8.1-20-1	JC66-00870A	GEAR-M-PICK UP CAM;ML-3560,POM,0.8,27,-,		SNA
8.1-20-2	JC66-00876A	GEAR-M-PICK UP;ML-3560,POM,0.8,27,-,WHT,		SNA
8.1-20-3	JC61-00003A	SPRING ETC--CAM MP;ML-6100,SUS304-WPB,0.	S0020	SA
8.1-21	JC97-01738A	MEA UNIT-GEAR P/UP MP CARDINA;ML-2150,-,	G0467	SA
8.1-21-1	JC66-00424A	GEAR-MP HOLDER_CAM;ML-2150,M90-44,0.8,37	H4008	SA
8.1-21-2	JC66-00423A	GEAR-MP PICK_UP;ML-2150,POM(M90-44),0.8,	P2055	SA
8.1-22	JC66-10202A	BEARING-PICK UP;ML-80,POM,-,-,-	B0003	SA
8.1-23	JC61-00755A	BRACKET-P-SHAFT MP;ML-2150,SECC,1.2,-,-,	S4013	SA
8.1-24	JC47-00012A	MEP-CLUTCH FEED;-ML-3560,4.0W,DC24V,167	B5011	SA
8.1-25	JC33-00012A	SOLENOID-MAIN;DLH-34L008-07,ML-2150,24V,	S8015	SA
8.1-26	JC33-00016A	SOLENOID-MP;-ML-3560,24V,80 OHM,41.4X21	S8016	SA
8.1-27	6044-000125	RING-E;ID4,OD9,T0.6,PASS,STSC	R0004	SA
8.1-28	JC63-00692A	SHIELD-P-SMPS;ML-3560,SECC,T0.8,W222.1,L		SNA
8.1-29	JC44-00082A	SMPS-(V1)+HVPS;ML-3560,*AC/DC,-,100-120		SA
8.1-29	JC96-03627A	ELA HOU-SMPS_HVPS_V1;ML-3560,XEROX,-,110		SA
8.1-30	JC71-00042A	BAR-P CROSS BOTTOM;ML-2150,SECC T1.0,-,-	K2861	SA
8.1-31	JC31-00029A	FAN-DC;AD0824MS-A70GL(TR),ML-2150,P.B.T,	F5016	SA
8.1-32	JC61-00667A	STOPPER-M-FAN80;ML-2150,ABS,-,-,-,BLK,HB	F5029	SA
8.1-34	JC96-03398A	ELA UNIT-DEVE;ML-3560/SEE,SAMSUNG,-,EXP,		SNA
8.1-35	JC96-03418B	ELA UNIT-CASSETTE;ML-3560,SEC,-,110V/220	K3055	SA
8.1-37	JC96-03412C	ELA UNIT-DUPLEX;ML-3561ND,SEC,-,110V/220		SA
8.2-1	JC96-03411E	ELA UNIT-COVER TOP;ML-3561ND,SEC,EXPORT,		SA
8.2-1-1	JC63-00699B	COVER-M_TOP;ML-3560,ABS,T2.5,W396.0,L426		SNA
8.2-1-2	JC63-00704A	COVER-M-OPEN_SEC;ML-3560,ABS,T2.5,W395.9	H1295	SA
8.2-1-3	JC72-01367B	PMO-STACKER_RX;ML-3560,ABS,WHT,W93.8*L53	L6055	SA
8.2-1-4	JC66-00902B	LEVER-M_STACKING 38;ML-3560,PC+ABS,T1.2,	L3019	SA
8.2-1-5	JC61-00656A	STOPPER-M-HINGE OPEN;ML-2150,ABS,-,-,-,-	H3073	SA
8.2-1-8	JC75-00095A	MEC-BRUSH ANTISTATIC;ML-6060A,SEC,NTR	M0022	SA
8.2-1-9	JC92-01473C	PBA MAIN-LCD PANEL;ML-3560,SEC,KOREA,LCD	K5008	SA
8.2-1-10	JC64-00195A	KEY-M-BUTTON_SEC;ML-3560,ABS,80.8*80.0,H	S3059	SA
8.2-1-11	JC64-00196A	KEY-M-ON LINE;ML-3560,ACRYL,D15.7, H10.6	S3060	SA
8.2-1-12	JC64-00197A	KEY-M-SAVE MODE;ML-3560,ACRYL,D15.7, H11	S3061	SA
8.2-1-13	JC64-00194A	WINDOW-M-LCD;ML-3560,PC,T1.5,W51.0,L84.7	K4285	SA

Service BOM(SA : Service Available, SNA : Service not Available)

Drawer# (Section-No)	Part Code	Description	Location	Status (SA/SNA)
8.2-1-14	JC63-00836A	GROUND-P-TOP_COVER;ML-3560,C5210P 1/2H,T	G0440	SA
8.2-2	JC63-00684B	COVER-M_LEFT;ML-3560,ABS,T2.5,W425.0,L32	H1292	SA
8.2-3	JC63-00701B	COVER-M_RIGHT;ML-3560,ABS,T2.5,W425.0,L3	H1294	SA
8.2-4	JC63-00702B	COVER-M_CONTROL BOX;ML-3560,ABS,T2.5,W21	H1288	SA
8.2-5	JC63-00685B	COVER-M_FRONT INNER;ML-3560,HIPS,T2.5,W3	H1291	SA
8.2-6	JC97-02232B	MEA UNIT-COVER REAR;ML-3560,SEC,-,110V/2	E4063	SA
8.2-6-1	JC63-00703B	COVER-M_REAR;ML-3560,ABS,T2.5,W300.8,L19	H1293	SA
8.2-6-2	JC72-01357A	PMO-STACKER REAR;ML-3560,ABS,WHT,W289.4*	L6054	SA
8.2-6-3	JC70-00007A	ICT-BRKT REAR COVER;ML-7000,SPCC,-,T1.2,		SNA
8.2-6-4	JC61-01217A	GUIDE-M_EXIT;ML-3560,PET+GF30%,FR530,T2.	G0441	SA
8.2-6-5	JC72-01359A	PMO-STRIFE;ML-3560,PE BOX 7033,NATURAL,T	L6056	SA
8.2-6-6	JC70-20901A	IEX-SHAFT IDLE,F/UP;ML-5000A,SUS304,-,PI		SA
8.2-6-7	JC72-20902A	PEX-ROLLER F/UP(2);ML-5000A,TEFLON,WHT,-	K3804	SA
8.2-6-8	JC61-70909A	SPRING ETC-SAPERATION;ML-165,SUS304 WPB,	Z4254	SA
8.2-6-9	JC68-01526A	LABEL(P)-JAM REMOVAL;COMMON,-,WHITE POLY		SNA
8.2-7	JC63-00696B	COVER-M_FRAME EXIT;ML-3560,ABS,T2.5,W75.	H1290	SA
8.3-1	JC61-01206A	FRAME-M_BASE;ML-3560,PC,NH-1035P,5V,BLK,		SNA
8.3-2	JC97-02228A	MEA UNIT-PICK UP MP;ML-3560,XEROX,-,110V	G0472	SA
8.3-2-1	JC66-00894A	SHAFT-M-PICK UP MP;ML-3560,PC,L339.8,OD1	S4117	SA
8.3-2-2	JC72-01003A	PMO-IDLE PICK UP MP;ML-2150,POM,WHITE,-,	P0042	SA
8.3-2-4	JC96-02686B	ELA UNIT-ROLLER P/UP MP;ML-3560,XEROX/SE	K3144	SA
8.3-2-4-1	JC61-00705A	HOLDER-M-PICKUP MP;ML-2150,POM,-,-,BLK	P2062	SA
8.3-2-4-2	JC61-00685A	HOUSING-M-PICK UP MP;ML-2150,PC+ABS,-,-,	H0025	SA
8.3-2-4-3	JC73-00224A	RUBBER-PICK UP MP;ML-3560,IR,D29.8,35,27	C4024	SA
8.3-2-5	JC66-00893A	CAM-M-SHAFT;ML-3560,POM,T1.5,*10.95*8.3	P2043	SA
8.3-3	JC97-02238A	MEA UNIT-GEAR IDLE;ML-3560,XOG/SEC,USA,M	E4065	SA
8.3-3-1	JC61-01200A	BRACKET-P-GEAR IDLE;ML-3560,SECC,1.2,118		SNA
8.3-3-2	JC66-00872A	GEAR-FUSER IDLE 3;ML-3560,POM,1,53,-,WHT		SNA
8.3-3-3	JC66-00859A	GEAR-M-FUSER IDLE 2;ML-3560,POM,1,33,-,W		SNA
8.3-3-4	JC66-00858A	GEAR-M-FUSER DRV IN;ML-3560,POM,1,33,-,W		SNA
8.3-3-5	JC66-00868A	CLUTCH-M-HUB;ML-3560,POM,-,WHT,CLUTCH HU		SNA
8.3-3-6	JC66-00417B	GEAR-RDCN FUSER OUT;ML-3560,HTNFR,1.0,25	G0368	SA
8.3-3-7	6044-000231	RING-E;ID5.0,OD11.0,T0.6,PASS,STS304	R0006	SA
8.3-4	JC96-03403A	ELA HOU BASE-HOLDER;ML-3560,XEROX,-,110V	H1297	SA
8.3-4-1	JC61-01248A	FRAME-M-HOLDER PAD;ML-3560,HIPS,-,HB,BLK		SNA
8.3-4-2	JC61-00684A	HOLDER-M-PAD;ML-2150,PC,-,-,BLK,-	H4029	SA
8.3-4-3	JC73-00132A	RPR-FRICTION PAD MP;ML-2150,NBB,53*9.8*T	R0019	SA
8.3-4-4	JC61-00387A	SPRING ETC-PAD;ML-9400W,SUS304WPB,PI0.5,	S0028	SA
8.3-4-5	JC72-01365A	PMO-ACTUATOR EMPTY MP;ML-3560,PC,BLK,42.	W3028	SA
8.3-4-6	JC61-70965A	SPRING ETC-EMPTY;ML-6000,SUS304-WPB,PI0.	O1099	SA
8.3-4-7	0604-001095	PHOTO-INTERRUPTER;TR,90%,150mW,DIP-4,BK	P0013	SA
8.3-4-7	0604-000165	PHOTO-INTERRUPTER;TR,-,-,-,BK	K3805	SA
8.3-4-7	0604-001154	PHOTO-INTERRUPTER;TR,0.2-1.0MA,80MW,DIP,	P0012	SA
8.3-4-7	0604-001210	PHOTO-INTERRUPTER;TR,-,200mW,DIP-4,ST		SNA
8.3-4-8	JC39-00451A	CBF HARNESS-MP_EMPTY;ML-3560,CBF,UL 1061	H1253	SA
8.3-5	JC97-01034A	MEA RACK-EXIT ROLLER;ML-1605,SUMSUNG,KOR	E4060	SA
8.3-5-1	JC72-41006A	PMO-HOLDER EXIT ROLL;ML-165,PC,BLK,HB,-	E4126	SA
8.3-5-2	JC72-41007A	PMO-ROLLER FD F;ML-165,POM,BLACK,-,-,-	P0048	SA
8.3-5-3	JC72-41008A	PMO-ROLLER FD R;ML-165,POM,BLACK,-,-,-	P0049	SA
8.3-5-4	JC61-70911A	SPRING ETC-EXIT ROLL FD;ML-165,SUS304 WP	S0021	SA
8.3-6	JC66-00883A	ROLLER-EXIT_F/DOWN;ML-3560,SUM+EPDM,D16,	D4089	SA
8.3-7	JC61-00673A	HOLDER-M-BUSHING EXIT;ML-2150,POM,-,-,-	H4022	SA
8.3-8	JC72-01310A	PMO-ACTUATOR OUTFULL;ML-2150,POM,BLK,-,V	K3819	SA
8.3-9	JC66-00674A	GEAR-M-EXIT Z17;ML-2550,M90-44,1.0,17.Ø	G0331	SA
8.3-11	JC97-02299A	MEA UNIT-ROLL EXIT DU;ML-3560,XEROX,USA,	G0473	SA
8.3-11-1	JC66-00882A	SHAFT-M-EXIT_DUPLEX;ML-3560,PC,5V,NH-103		SNA
8.3-11-2	JC73-00210A	RUBBER-EXIT_DUP;ML-3560,EPDM,D18.7X11.2,	C4021	SA
8.3-12	JC61-01262A	BUSH-M_EXIT D7;ML-3560,POM,D7,D9.7,BLK,-	S4014	SA
8.3-13	JC66-00854A	GEAR-M-EXIT DUP Z21;ML-3560,POM,1,21,-,W	G0200	SA
8.3-14	JC96-02127A	ELA HOU-CST SENSOR HAWK16;ML-7250,XEROX,	Z2263	SA
8.3-14-1	JC92-01336A	PBA SUB-CASSETTE;ML-1650,KOREA/EXPORT,-,		SNA
8.3-14-2	JC70-00192A	IPR-PLATE SENSOR;ML-7250,SUS301,-,0.2T,-	S3058	SA
8.3-14-3	JC70-00195A	IPR-BRACKET SENSOR;ML-7250,SECC,-,1.0T,-	S3055	SA
8.3-15	JC39-00261A	CBF HARNESS-SENSOR;ML-2150,CBF,UL 1061,4	H1242	SA
8.3-16	JC61-00675A	GUIDE-P_REGI UPPER;ML-2150,SECC,1.2T,-,-	G2082	SA
8.3-17	JC61-70918A	SPRING ETC-LEVER;ML-165,SUS304 WPB,PI0.5	L4097	SA
8.3-18	JC61-00671A	HOLDER-M-BUSHING TX;ML-2150,POM,-,-,-,BL	H0020	SA
8.3-19	JC61-00691A	GUIDE-PLATE PAPER;ML-2150,SECC,T0.6,-,-,	G2091	SA
8.3-20	JC70-00339A	IPR-P_GROUND PLATE PAPER;ML-2150,SUS304	P5064	SA
8.3-23	JC39-00458A	CBF HARNESS-THERM;ML-3560,CBF,UL 1061,2P	H1256	SA

Service BOM(SA : Service Available, SNA : Service not Available)

Drawer# (Section-No)	Part Code	Description	Location	Status (SA/SNA)
8.3-24	JC61-01581A	HOUSING-M_TERMINAL;ML-3560,PET+GF30% FR5		SNA
8.3-25	JC65-00013A	TERMINAL-P-FUSER;ML-3560,C5210P ZINC COA	K4277	SA
8.3-26	JC39-00456A	CBF HARNESS-FUSER;ML-3560,CBF,UL 3122,2P	H1249	SA
8.3-27	JC67-00099A	CAP-M-HOUS_TERM;ML-3560,PC NH1035P,1.5,9		SNA
8.3-28	JC63-00670A	SHIELD-P-CTRL;ML-3560,SECC,0.6,169.4,194		SNA
8.3-29	JC63-00677A	GROUND-P-MOTOR_DEVE;ML-3560,C5210P,T0.2,		SNA
8.3-30	JC63-00669A	GROUND-P_GUIDE TR;ML-3560,C5210P,T0.2,10		SNA
8.3-31	JC63-00672A	GROUND-P-REGI_ROLLER;ML-3560,C5210P,T0.2		SNA
8.3-32	JC63-00678A	GROUND-P-PICK_UP_MP;ML-3560,C5210P,T0.2,		SNA
8.3-33	JC63-00673A	GROUND-P-SCF_MAIN;ML-3560,C5210P,T0.2,26		SNA
8.3-34	JC63-00671A	GROUND-P-MOTOR_MAIN;ML-3560,C5210P,T0.2,		SNA
8.3-35	JC63-00680A	GROUND-P-GUIDE_DUP;ML-3560,C5210P,T0.2,1		SNA
8.3-36	JC67-00093A	CAP-M-GUIDE_HARNESS;ML-3560,ABS HF0660I,		SNA
8.3-37	JC72-01356A	PMO-DUMMY_DEVE;ML-3560,ABS,BLK,68.4*31.6	Z0016	SA
8.3-38	JC96-01772A	ELA HOU-VARISTOR;ML-6060,NEC/SEC,110/220	K3053	SNA
8.3-39	JC61-40001A	FOOT-ML80;ML-80,NBR,-,GRAY,-,-,-	F0003	SA
8.3-40	JC72-01355A	PMO-REMOVE_LOCK_CST;ML-3560,POM,BLK,36*3	L6040	SA
8.3-41	JC66-00890A	SHAFT-M-GEAR_RETARD;ML-3560,POM GF25,27.		SNA
8.3-42	JC66-00439A	SHAFT-M-COUPLING RETARD;ML-2150,POM GF 2	S4116	SA
8.3-43	JC72-41191B	PMO-BEARING SHAFT;ML-2150,POM,BLK,-,DE89	P0032	SA
8.3-47	JC96-03661A	ELA HOU-FRAME_LSU_LO;ML-3560,XEROX,-,-,-	Z2264	SA
8.3-47-1	JC61-01207A	FRAME-M-LSU_LOWER;ML-3560,ABS,HF0660I,HB		SNA
8.3-47-2	JC92-01705A	PBA SUB-TONER SENSOR;ML-3560,SEC,KOREA,T	M0412	SA
8.3-47-3	JC65-00004A	TERMINAL-P_DEVE;ML-2060,SUS304WPB,-,-,PI	T2175	SA
8.3-47-4	JC92-01730A	PBA SUB-COVER OEPN;ML-3560,SEC,KOREA,-,-	M0443	SA
8.3-47-5	JC67-00095A	CAP-M_COVER_OPEN;ML-3560,POM(M90-44),1.5		SNA
8.3-48	JC96-03425A	ELA UNIT-FEED3X5;ML-3560,XEROX,-,110V/22	K3062	SA
8.3-48-1	JC61-01240A	HOLDER-M-SAW;ML-3560,PC,1.5,27.5,204,BLA		SNA
8.3-48-2	JC61-01235A	GUIDE-P-TRANSFER_FRONT;ML-3560,SECC,0.6,		SNA
8.3-48-3	JC61-01236A	PLATE-P-SAW;ML-3560,SUS304CSP,0.15,14.5,		SNA
8.3-48-4	JC66-00889A	SHAFT-M ROLLER_BELT;ML-3560,PC,170,10,BL		SNA
8.3-48-5	JC66-00887A	ROLLER-M IDLE_BELT;ML-3560,POM,4.8,9.6,N		SNA
8.3-48-7	JC73-00206A	RUBBER-BELT_FEED;ML-3560,EP+NR,L=62,30,5	C4020	SA
8.3-48-8	JC61-01239A	GUIDE-M SHAFT_BELT;ML-3560,POM,0.6,10,6.		SNA
8.3-49	JC96-03419A	ELA UNIT-RETARD;ML-3560,XEROX,-,110V/220	K3143	SA
8.3-49-1	JC61-01231A	FRAME-M-RETARD;ML-3560,PC,NH-1035P,-,BLA		SNA
8.3-49-2	JC61-01232A	HOLDER-M-RETARD;ML-3560,ABS,1.5,26.6,65.		SNA
8.3-49-3	JC61-00013A	SPRING ETC-PAD;SF-5100,SUS304WPB 0.5,-,-		SNA
8.3-49-5	JC61-00635A	HOUSING-M-RETARD;ML-2150,POM(M90-44),-,-	H6035	SA
8.3-49-4	JC61-00652A	BUSH-M-RETARD;ML-2150,POM(DE-8903),-,-,-	K2883	SA
8.3-49-6	JC66-00590A	SHAFT-RETARD;ML-2150,SUM 22,58,6,-,-,-	S4130	SA
8.3-49-8	JC72-00993A	PMO-HUB OUT RETARD;ML-2150,POM,BLK,-,M90	K4021	SA
8.3-49-9	6107-001157	SPRING-TS;SWP-B,-,PI0.8,D11.5,-,N11.5,-,		SA
8.3-49-9	6107-001170	SPRING-TS;SWP-B,-,PI0.9,D6.0,-,-,-,ID5.2		SA
8.3-49-9	6107-001160	SPRING-TS;SUS304,-,PI0.45,D5.45,L19.8,-,		SA
8.3-49-10	JC70-00520A	HUB-IN_RETARD;ML-3560,BRONZE SINTERED,1.		SNA
8.3-49-11	JC73-00207A	RUBBER-RETARD;ML-3560,IR,19.5,35,30,YELL	C4026	SA
8.3-50	JC96-03421A	ELA UNIT-FEED2 IDLE;ML-3560,XEROX,-,110V	K3060	SA
8.3-50-1	JC61-01242A	HOLDER-IDLE_FEED2;ML-3560,ABS,2.5,17.4,6		SNA
8.3-50-2	JC67-00105A	CAP-M IDLE_FEED2;ML-3560,POM,2.9,21.6,NT		SNA
8.3-50-5	JC66-00912A	SHAFT-IDLE_FEED2;ML-3560,SUM22+NI,52,6,-	S4108	SA
8.3-50-7	JC66-00892A	ROLLER-M IDLE_FEED2;ML-3560,POM,17,35,5.		SNA
8.3-50-9	JC66-00591A	SHAFT-HUB IN;ML-2150,SUM 24L,8.5,1.9,-,-	S4107	SA
8.3-51	JC61-01250A	STOPPER-M-KNOCK UP MP_L;ML-3560,POM,T2.5	H3074	SA
8.3-52	JC61-01249A	STOPPER-M-KNOCK UP MP_R;ML-3560,POM,T2.5	H3075	SA
8.3-53	JC61-01252A	RAIL-M-LEFT_DUP;ML-3560,POM,T2.0,W7.4,L1	L6057	SA
8.3-54	JC61-01253A	RAIL-M-RIGHT_DUP;ML-3560,POM,T2.0,W10.0,	L6058	SA
8.3-58	JC72-00991A	PMO-ACTUATOR EMPTY;ML-2150,POM,BLK,-,-,-	K3816	SA
8.3-59	JC96-03422A	ELA UNIT-PICK UP;ML-3560,XEROX,-,110V/22	K3141	SA
8.3-59-1	JC66-00910A	SHAFT-PICK UP;ML-3560,SUM22+NI,196.6,-,-	S4118	SA
8.3-59-2	JC97-02233A	MEA UNIT-P/UP_HOUSING;ML-3560,XEROX,-,11	G0471	SA
8.3-59-2-1	JC72-01361A	PMO-M IDLE-PICK UP;ML-3560,POM,NTR,29.8,	L6039	SA
8.3-59-2-3	JC61-01238A	HOUSING-M-PICK UP;ML-3560,ABS,2.0,28.8,5		SNA
8.3-59-3	JC72-01362A	PMO-M CAM_PICK_UP;ML-3560,POM,NTR,-,M90		SNA
8.3-59-4	JC66-00911A	SHAFT-FEED1;ML-3560,SUM22+NI,214.5,6,-,-	C4028	SA
8.3-59-5	JC81-03458A	AS-UNIT_FEED1;ML-3560,-,-,110V/220V,SVC,	K2860	SA
8.3-59-5-1	JC61-01237A	HOUSING-M-FEED1;ML-3560,ABS,2.5,15.5,33.		SNA
8.3-59-5-2	JC73-00208A	RUBBER-FEED1;ML-3560,IR,17.85,35,30,YELL	C4022	SA
8.3-59-6	JC63-00674A	GROUND-P-PICK_UP_MAIN;ML-3560,C5210P,0.2		SNA
8.3-59-8	JC72-00382B	PMO-BUSHING FEED;ML-1710,POM(DERLIN 8903	P0034	SA

Service BOM(SA : Service Available, SNA : Service not Available)

Drawer# (Section-No)	Part Code	Description	Location	Status (SA/SNA)
8.3-59-9	JC61-01234A	GUIDE-P-FRONT-DUP-PICKUP;ML-3560,SECC,1.		SNA
8.3-59-10	JC61-01233A	GUIDE-M SUPPORT-PICKUP;ML-3560,ABS, GF20		SNA
8.3-60	JC96-03420A	ELA UNIT-FEED2;ML-3560,XEROX,-,110V/220V	K3061	SA
8.3-60-1	JC61-01241A	FRAME-M-PICK UP;ML-3560,PC/ABS,NH-1000T,		SNA
8.3-60-3	JC66-00891A	SHAFT-M-FEED2;ML-3560,PC,232.3,12,BLACK,		SNA
8.3-60-5	JC73-00205A	RUBBER-ROLLER FEED2;ML-3560,CR+NR,D=15.1	C4027	SA
8.3-61	JC92-01704A	PBA SUB-JOINT;ML-3560,SEC,USA,KESTREL,JO	M0448	SA
8.3-62	JC39-00441A	CBF HARNESS-TRAY OUT;ML-3560,CBF,UL 1061	H1257	SA
8.3-63	JC67-00094A	CAP-M_POWER;ML-3560,PC NH-1035P,2,55.5,4		SNA
8.3-64	JC39-00455A	CBF HARNESS-INLET;ML-3560,CBF,UL 1617 /	H1252	SA
8.3-65	JC66-00888A	SHAFT-M BELT_GEAR;ML-3560,PC,32.2,8,BLAC		SNA
8.3-68	JC67-00092A	CAP-M-DEVE MOTOR;ML-3560,ABS G/F20 GR402		SNA
8.3-69	JC39-00449A	CBF HARNESS-DUPLEX;ML-3560,CBF,UL 1061,8		SNA
8.3-71	JC67-00036A	CAP-M-WIRE PTL LOWER;ML-2150,POM,-,-,-,B	C1015	SA
8.3-72	JC65-00001A	TERMINAL-P_PTL;ML-2060,SUS301 3/4H,-,-,T	K4276	SA
8.3-73	JC39-00181A	CBF HARNESS-PTL;SCX-5100,WIRE HARNESS,UL	H1212	SA
8.3-76	JC92-01512B	PBA SUB-EXIT SENSOR;ML-3560,SEC,KOREA,EX	M0445	SA
8.3-77	JC92-01261B	PBA SUB-FUSER SW;ML-3560,SEC,KOREA,FUSER	M0447	SA
8.3-78	JC61-01218A	GUIDE-M-FRONT;ML-3560,PET+GF30%,FR530,2,	G0442	SA
8.3-79	JC65-00010A	TERMINAL-P-GUIDE_FRONT;ML-3560,C5201P,-,		SNA
8.3-81	JC72-00317A	PMO-GUIDE DEVE L;ML-6060A,POM,-,-,-,-,-,	T2158	SA
8.3-82	JC72-00318A	PMO-GUIDE DEVE R;ML-6060A,POM,-,-,-,-,-,	T2159	SA
8.3-83	JC61-70932A	SPRING ETC-GUIDE DEVE;ML-5000A,-,D4.3,-,		SA
8.3-84	JC65-00008A	TERMINAL-P-TR_KESTREL;ML-3560,C5210P,-,-	K4278	SA
8.3-86	JC65-00009A	TERMINAL-SPRING_TR;ML-3560,STS304WPB,-,-	K4279	SA
8.3-87	JC92-01488A	PBA MAIN-ZENER;ML-2150,SEC,KOREA,ZENER B	M0442	SA
8.3-89	JC63-00679A	GROUND-P-ZENER;ML-3560,C5210P,T0.2,26.6,		SNA
8.3-90	JC63-00676A	GROUND-P-FUSER;ML-3560,SUS301,T0.2,32.2,		SNA
8.3-91	JC65-00006A	TERMINAL-P_HV CARDINAL;ML-2060,SUS304 1/	K4272	SA
8.3-92	JC97-01401A	MEA UNIT-TERMINAL:TR;ML-5000A,SAMSUNG,KO		SA
8.3-93	JC39-00457A	CBF HARNESS-HVPS;ML-3560,CBF,UL 1617/323	H1251	SA
8.3-94	JC70-00332A	IPR-P_GROUND OPC;ML-2150,SUS301 3/4H,-,0	O0020	SA
8.3-95	JC92-01511B	PBA SUB-EMPTY SENSOR;ML-3560,SEC,KOREA,-	M0444	SA
8.3-96	JC39-00440A	CBF HARNESS-SENSOR;ML-3560,CBF,UL 1061,4	H1254	SA
8.3-97	JC92-01262C	PBA SUB-FEED SENSOR;ML-3560,SEC,KOREA,FE	M0446	SA
8.3-98	JC67-00098A	CAP-M_HV;ML-3560,PC 5V NH-1035P,1.5,95.0		SNA
8.3-99	JC67-00097A	CAP-M_SENSOR_FEED;ML-3560,PC NH1035P,1.5		SNA
8.3-100	JC67-00138A	DUCT-M_FAN;ML-3560,ABS HB HF0660I,1.5,80	H1296	SA
8.4-0	JC96-03406A	ELA UNIT-FUSER-110V;ML-3560,XEROX,USA,11		SA
8.4-1	JC96-03427A	ELA UNIT-FUSER_UPPER;ML-3560,XEROX,USA,1		SNA
8.4-1-2	JC71-00056A	ELECTRODE-P-FU_L_08;ML-3560,T0.8,20.2,32		SNA
8.4-1-3	1404-001141	THERMISTOR-NTC;5.6Kohm,5%,3200K,2.1mW/C,		SNA
8.4-1-4	JC72-41012C	PMO-GUIDE CLAW GREEN;ML-3560,PEEK,BLK,T1	Z0018	SA
8.4-1-5	6107-001159	SPRING-TS;SUS304,-,PI0.45,D3.85,L20,-,W1		SA
8.4-1-8	JC61-01215A	HOLDER-M-LEVER_L;ML-3560,PC,NH1023XD,T1.		SNA
8.4-1-9	JC61-00785A	HOLDER-M-IDLE ROLLER;ML-2150,PC,-,-,-,BL	H4027	SA
8.4-1-10	JC72-40981A	PMO-ROLLER UPPER DP;ML-165,POM,WHT,HB,-	K4068	SA
8.4-1-12	JC61-01216A	HOLDER-M-LEVER_R;ML-3560,PC,NH1023XD,T1.		SNA
8.4-1-13	JC71-00052A	ELECTRODE-P-SUPPORT;ML-3560,T0.2,-,D27.6		SNA
8.4-1-15	6003-000196	SCREW-TAPTITE;PWH,+ ,B,M3,L10,NI PLT,SWRC		SA
8.4-1-15	6003-001256	SCREW-TAPTITE;BH,+ ,B,M4,L10,NI PLT,SWRCH		SNA
8.4-1-15	6003-000264	SCREW-TAPTITE;PWH,+ ,-,B,M3,L6,ZPC(YEL),S		SNA
8.4-1-15	6003-000266	SCREW-TAPTITE;PWH,+ ,S,M3,L6,ZPC(YEL),SWR		SNA
8.4-1-15	6003-000269	SCREW-TAPTITE;BH,+ ,-,S,M3,L6,ZPC(YEL),SW		SA
8.4-1-15	6003-000301	SCREW-TAPTITE;BH,+ ,S,M4,L6,ZPC(YEL),SWRC		SNA
8.4-1-15	6003-000282	SCREW-TAPTITE;BH,+ ,-,B,M3,L8,ZPC(BLK),SW		SA
8.4-1-16	JC66-00932A	ROLLER-HEAT;ML-3560,AL PIPE T1MM,39.9MM,		SA
8.4-1-17	6601-001346	BEARING-BALL;6809 2Z,ID45,OD58,L7,GCR5,0	K2862	SA
8.4-1-17	6601-001004	BEARING-BALL;DDL-1060ZZ,ID6,OD10,L3,FE-C		SNA
8.4-1-18	JC67-00101A	CAP-M-END;ML-3560,PPS, OFL4036,T2,D39.8,	A0004	SA
8.4-1-19	JC61-01260A	BUSH-M_HR;ML-3560,PPS,RBA313N,D39.95,D44	S4015	SA
8.4-1-20	JC66-00878A	GEAR-M-FUSER Z49;ML-3560,PPS,OFL4036,M1,	G0332	SA
8.4-1-21	JC61-01550A	STOPPER-SPACER;ML-3560,PC,T0.5,-,-,BLACK		SNA
8.4-1-22	JC71-00051A	ELECTRODE-FU;ML-3560,T5.5,-,D28,SME19		SNA
8.4-1-24	JC67-00111A	CAP-M_ACTUATOR_UP;ML-3560,PC+GF20%,HF320		SNA
8.4-1-25	JC63-00726A	COVER-M-REAR GUIDE UP;ML-3560,NYLON+GF25		SNA
8.4-1-26	JC71-00055A	ELECTRODE-P-SU CARBON;ML-3560,T0.2,8.5,9		SNA
8.4-1-28	JC61-01284A	HOLDER-P-SL CONNECTOR;ML-3560,SUS301 3/4		SNA
8.4-1-H	JC96-03722A	ELA UNIT-HEAT 110V;ML-3560,SEC,-,FUSER,H		SA
8.4-2	JC63-00681A	COVER-M-FUSER_UPPER;ML-3560,PET+GF30%,FR		SNA

Service BOM(SA : Service Available, SNA : Service not Available)

Drawer# (Section-No)	Part Code	Description	Location	Status (SA/SNA)
8.4-2-1	JC61-01213A	BRACKET-P-FUSER;ML-3560,SECC,T1.2,35.5,4		SNA
8.4-2-2	JC66-00426B	GEAR-IDLE 23;ML-3560,HTNFR,1.0,23,8,BLAC	G0199	SA
8.4-2-3	JC66-00869A	GEAR-M-IDLE 25;ML-3560,POM,1.25,-,WHT,27		SNA
8.4-3	JC97-02223A	MEA UNIT-FUSER LOWER;ML-3560,XEROX,USA,M		SNA
8.4-3-1	JC66-00931A	ROLLER-PRESSURE;ML-3560,STKM+LTV+PFA TUB	K4222	SA
8.4-3-2	JC61-01261A	BUSH-M-PR;ML-3560,PPS,RBA313N,iE8.3,-,13S		SNA
8.4-3-3	6107-001253	SPRING-CS;SUS304,GRINDING,PI1.6,D9,L15.2		SNA
8.4-3-3	6107-000103	SPRING-CS;STS304-WPB,DEGRE,PI0.45,D3.45,		SNA
8.4-3-4	JC63-00725A	COVER-M-FU_LOWER_OPEN;ML-3560,PET+GF30%,		SNA
8.4-3-5	JC66-00880A	LEVER-P-RELEASE L;ML-3560,SECC,T1.6,-,89		SNA
8.4-3-6	6107-001172	SPRING-CS;SUS304,-,PI0.5,D6.7,L17.5,-,-,	S0035	SA
8.4-3-7	JC67-00102A	CAP-M-FUSER LOCK;ML-3560,PC, NH-1023XD,T		SNA
8.4-3-8	JC66-00881A	LEVER-P-RELEASE R;ML-3560,SECC,T1.6,43.4		SNA
8.4-3-9	JC61-01214A	HOLDER-M-PR SHAFT;ML-3560,PPS, RBA313N,T		SNA
8.4-3-10	JC63-00683A	GROUND-P-HR;ML-3560,SUS304,T0.2,13.3,51.		SNA
8.4-3-11	JC61-70903A	SPRING ETC-ACTUATOR;ML-165,SUS304,PI0.2,	Z4132	SA
8.4-3-12	JC72-01358A	PMO-ACTUATOR EXIT;ML-3560,PC+GF20%,HF320		SNA
8.4-3-13	JC67-00103A	CAP-M-ACTUATOR;ML-3560,PC+GF20%,HF3201,T		SNA
8.4-3-14	6006-001078	SCREW-TAPTITE;WSP,PH,+M3,L10,ZPC(YEL),S		SNA
8.4-4	JC97-02235A	MEA UNIT-FUSER_GU_R;ML-3560,XEROX,USA,ME		SNA
8.4-4-1	JC61-01226B	GUIDE-M_REAR;ML-3560,HIPS,2.5,98,100.3,B		SNA
8.4-4-2	JC72-00382A	PMO-BUSHING TX;ML-6060A,POM M9044,BLK,-,		SNA
8.4-4-3	JC66-00879A	SHAFT-M-EXIT_F_UP;ML-3560,PC,5V,NH-1035P		SNA
8.4-4-5	JC73-00209A	RUBBER-EXIT_F_UP;ML-3560,EPDM,D17.6X15.5		SNA
8.4-4-6	JC61-01549A	HOLDER-M REAR_LEVER;ML-3560,PC,NH-1023XD		SNA
8.5-1	JC61-00674A	GUIDE-P_REGI LOWER;ML-2150,SECC,1.2,-,-,	G2080	SA
8.5-2	JC66-00450A	ROLLER-REGI LOWER L;ML-2150,CR,13.85,-,B		SNA
8.5-3	JC66-00446A	SHAFT-REGI UPPER;ML-2150,SUM22,-,6,-,-,-	S0010	SA
8.5-4	JC66-00647A	ROLLER-M_REGI IDLE L25;ML-2150,POM,12.4,	R0014	SA
8.5-5	JC66-00648A	ROLLER-M_REGI IDLE S25;ML-2150,POM,11.9,	R0015	SA
8.5-7	6107-001158	SPRING-TS;SUS304-WPB,-,PI0.4,D6.7,-,-,-,	S0042	SA
8.5-8	JC72-00998A	PMO-ACTUATOR REGISHUTTER;ML-2150,ABS G/F	P0030	SA
8.5-9	JC61-00670A	GUIDE-P_REGI PLATE;ML-2150,SECC,1.2,-,-,	G2081	SA
8.5-11	JC61-00669A	BUSH-M-ROLLER REGI U;ML-2150,POM(CE20),6	B0029	SA
8.5-14	6107-001294	SPRING-ES;SWP-B,-,PI0.55,D3.85,L31,-,-,-		SA
8.6-1	JC61-01204A	BRACKET-P-MAIN;ML-3560,SECC,1.2,144.73,2		SNA
8.6-2	JC31-00040A	MOTOR DC-BLDC MAIN;-ML-3560,2.3A,-,-,21	B5013	SA
8.6-3	6031-001255	WASHER-PLAIN;NYLON,CUTTING,ID5,OD9,T0.5,	W0004	SA
8.6-3	6031-001533	WASHER-PLAIN;PET,M8,ID8.2,OD21,T0.125,NA		SNA
8.6-4	JC66-00867A	GEAR-M-OPC DRV;ML-3560,POM,0.8/0.5,31/11		SNA
8.6-5	JC66-00864A	GEAR-M-REGI DRV;ML-3560,POM,0.8,31,-,WHT		SNA
8.6-6	JC66-00860A	GEAR-M-RDCN FUSER;ML-3560,POM,1/0.5,29/8		SNA
8.6-7	JC66-00875A	GEAR-M-FUSER IDLE 1;ML-3560,POM,1,43,-,W		SNA
8.6-8	JC66-00865A	GEAR-M-RDCN REGI;ML-3560,POM,0.8/0.5,23/		SNA
8.6-9	JC66-00866A	GEAR-M-RDCN PICK UP;ML-3560,POM,0.8/0.8,		SNA
8.6-10	JC66-00861A	GEAR-M-MP DRV;ML-3560,POM,0.8,31,-,WHT,2		SNA
8.6-11	JC66-00862A	GEAR-M-FEED DRV;ML-3560,POM,0.8/0.8,37/4		SNA
8.6-12	JC66-00873A	GEAR-M-RDCN MP;ML-3560,POM,0.8,19/28,-,W		SNA
8.6-13	JC66-00874A	GEAR-M-RDCN RETARD;ML-3560,POM,0.8/0.8,1		SNA
8.6-14	JC66-00863A	GEAR-M-PICK UP DRV;ML-3560,POM,0.8,34,-,		SNA
8.7-1	JC31-00039A	MOTOR DC-BLDC DEVE;-ML-3560,2.0A(MAX.),	B5012	SA
8.7-2	JC61-01201A	BRACKET-P-DEVE;ML-3560,SECC,1.2,126.5,73		SNA
8.7-3	JC61-01203A	BRACKET-P-SWING;ML-3560,SECC,1.0,27.0,42		SNA
8.7-4	JC66-00915A	SHAFT-SWING DEVE;ML-3560,SUM24L+NI,20.6,		SNA
8.7-5	JC66-00871A	GEAR-M-RDCN DEVE;ML-3560,POM,0.5/0.8,51/		SNA
8.7-6	JC66-00857A	GEAR-M-SWING;ML-3560,POM,0.8,31,-,WHT,26		SNA
8.8-1	JC61-01205A	BRACKET-P-EXIT;ML-3560,SECC,1.2,82.0,76.		SNA
8.8-4	JC66-40911A	GEAR-DP,IDLE;ML-165,POM,M1.0,Z21,-,WHITE	G0198	SA
8.8-5	JC66-00100A	GEAR-6;ML-9400W,POM,1,,PCD19,WHITE,,		SNA
8.8-8	JC33-00008A	SOLENOID-DUPLEX;-SCX-5312F,-,24VDC,53*3	S8014	SA
8.8-9	JC61-01202A	BRACKET-P-LINK SWING;ML-3560,SECC,1.2,40		SNA
8.8-10	JC66-00855A	GEAR-M-SWING DUPLEX;ML-3560,POM,1,19,-,W		SNA
8.8-11	JC66-00856A	GEAR-M-RDCN EXIT;ML-3560,POM,1/1,27/31,-		SNA
8.8-12	JC66-00916A	SHAFT-SWING DUPLEX;ML-3560,SUM24L+NI,22.		SNA
8.9-1	JC61-01220B	FRAME-M CASSETTE;ML-3560,HIPS,HR-1360T,H		SNA
8.9-2	JC61-01221B	GUIDE-M_HANDLE;ML-3560,ABS,2.5,103.7,396		SNA
8.9-3	JC64-00189B	INDICATOR-M_EMPTY;ML-3560,ABS,2.5,GRAY,H		SNA
8.9-4	JC61-01245A	PLATE-P-KNOCK UP;ML-3560,SECC,1.2,279.1,		SNA
8.9-5	JC61-00455A	SPRING ETC-PLATE K/UP;SCX-5100,SUS304,24	Z4228	SA
8.9-7	JC67-00037A	CAP-M-GUIDE SIDE,L;ML-2150,POM,-,-,-,BLK	C1014	SA

Service BOM(SA : Service Available, SNA : Service not Available)

Drawer# (Section-No)	Part Code	Description	Location	Status (SA/SNA)
8.9-8	JC61-01222A	GUIDE-P-SIDE L;ML-3560,SECC,1.2,127,129,		SNA
8.9-9	JC61-01225B	GUIDE-M_SIDE LOCK;ML-3560,ABS,2.5,72.8,1		SNA
8.9-10	JC61-01244A	GUIDE-P-SIDE_R;ML-3560,SECC,1.2,130,120.		SNA
8.9-12	JC61-00751A	GUIDE-P-REAR PAPER CST;ML-2060,SUS-301,0	G2088	SA
8.9-13	JC61-00414A	SPRING ETC-GUIDE PAPER;ML-9400W,SUS304WP	Z4247	SA
8.9-14	JC61-00267B	GUIDE-M-LOCK A;ML-2150,HIPS,HB,-,-,-,C75	G2068	SA
8.9-16	JC61-01224B	GUIDE-M_EXTENSION CST;ML-3560,HIPS,2,56,		SNA
8.9-17	JC61-01223A	BRACKET-P-EXTENTION;ML-3560,SECC,1.2,41,		SNA
8.9-18	JC61-01230B	GUIDE-M_PAPER;ML-3560,PC/ABS,2.5,48.7,24		SNA
8.9-19	JC61-01228A	HOLDER-M-PAD HOUSING;ML-3560,ABS,2.5,48,		SNA
8.9-20	JC97-02234A	MEA UNIT-HOLDER PAD;ML-3560,XEROX,-,110V	G0469	SA
8.9-20-1	JC61-01229A	HOLDER-M-PAD;ML-3560,ABS,2.5,12.7,51,BLA		SNA
8.9-20-2	JC63-00407A	SHEET-HOLDER PAD R2;SCX-4920N,PC,0.125T,		SNA
8.9-20-3	JC73-00140A	RPR-FRICTION PAD;ML-1510,NBB,1T 8.9*47,5	P0034	SA
8.9-20-4	JC70-00314A	IPR-PLATE PAD;ML-1710,SUS304-CSP,-,0.1,-	P0009	SA
8.9-25	JC72-41210A	PMO-LOCKER PLATE;ML-6000,POM,WHT,HB,-	L6038	SA
8.9-26	JG61-70531A	SPRING ETC-LOCKER,PLATE;SF6000,STS304WPB	S0025	SA
8.9-27	JC61-01227A	GUIDE-M-PAPER SIZE;ML-3560,POM,2.5,71.5,		SNA
8.10-34-2	JC73-00223A	RUBBER-PICK_UP;ML-3560,IR,29,35,28,YELLO	C4025	SA
8.11-1	JC61-01254A	FRAME-M-DUPLEX;ML-3560,ABS+GF20,GR4020,H		SA
8.11-2	JC61-01255A	GUIDE-M-UPPER_DUP;ML-3560,PC+ABS,T3,W233		SA
8.11-3	JC63-00693B	COVER-M_REAR_DUP;ML-3560,HIPS,T2.5,W91.9		SA
8.11-4	JC61-01256A	GUIDE-M-ALIGN_DUP;ML-3560,PBT+GF30,T2,W2		SA
8.11-5	JC67-00107A	CAP-M-CONNECTOR_DUP;ML-3560,HIPS,T2,W46.		SA
8.11-6	JC67-00106A	DUCT-M-FAN_DUP;ML-3560,HIPS,2,W76.8,L197		SA
8.11-7	JC31-00004A	FAN-DC_HAWK;ML-6060,24.0V,2800rpm,15m^3/	F5018	SA
8.11-8	JC92-01679A	PBA SUB-DUPLEX;ML-3560,SEC,USA,KESTREL,D		SA
8.11-9	6502-000132	CABLE CLAMP;DAWS-1NE,ID11,L21.0,NTR,NYLO	C0069	SA
8.11-10	JC70-00512A	IPR-TERMINAL_GND_DUP;ML-3560,SUS304,D0.9		SA
8.11-11	JC64-00191A	LOCKER-M-DUP;ML-3560,POM,WHITE,HB,-,-		SA
8.11-12	JC63-00706A	SHEET-FRAME_DUP;ML-3560,PC,0.3T,10.4,152		SA
8.11-13	6107-001165	SPRING-TS;SUS304-WPB,-,PIO,2,D4,-,-,-,ID		SNA
8.11-14	JC72-01366A	PMO-ACTUATOR FEED DUP;ML-3560,PBT+GF30,B		SA
8.11-15	JC92-01362A	PBA SUB-MP SEN;SCX-5100,XEROX,USA,MP SEN	M0395	SA
8.11-16	JB39-00103A	CBF HARNESS-LIU_GND;SCX-1110F,WIRE,UL100	L5004	SA
8.11-17	JC31-00009A	MOTOR STEP;PM42L-048SY,ML-7250,650mA,600	M2150	SA
8.11-18	JC61-01257A	BRACKET-P-MOTOR_DUP;ML-3560,SECC,T1.0,W4		SA
8.11-19	JC66-00897A	PULLEY-M-30_DUP;ML-3560,POM,HB,WHITE,ID6		SA
8.11-20	6602-001084	BELT-TIMING GEAR;30S2M224,RUB(CR),T1.36,		SA
8.11-21	JC66-00898A	PULLEY-M-30-DUMMY_DUP;ML-3560,POM,HB,WHI		SA
8.11-23	JC39-00450A	CBF HARNESS-D_JOINT;ML-3560,CBF,UL 1061,		SA
8.11-24	JC66-00444A	SHAFT-IDLE ROLL, DUP;ML-2150,SUM24L,25,2	S4108	SA
8.11-25	JC66-00896A	ROLLER-M-IDLE_DUP;ML-3560,POM,OD9.6,14.		SA
8.11-26	JK72-00058A	PCT-SILP WASHER;SRP-350,P.A+GRAPHITE,T0.		SNA
8.11-27	JC61-01277A	SPRING ETC-DUP;ML-3560,SUS304,CD0.6,ID3.		SA
8.11-28	JC66-00900A	PULLEY-M-18-DUMMY_DUP;ML-3560,POM,HB,WHI		SA
8.11-29	JC66-00899A	PULLEY-18_DUP;ML-3560,POM,HB,WHITE,ID4.1		SA
8.11-30	JC61-00665A	BUSH-M-FEED, DUP;ML-2150,POM,SW01,4.0,7	F6042	SA
8.11-31	JC66-20901A	BELT-TIMMING;B32S2M280,CR+FG+NYLON,-,W3.	B2018	SA
8.11-32	JC66-00901A	ROLLER-FEED_DUP;ML-3560,SUM24L+NBR,OD11.		SA
8.11-33	6044-000107	RING-C;ID2.5,OD6,T0.4,PASS,STS304		SA
8.11-34	JC70-00457A	ICT-STUD PAPER GUIDE, DP;ML-2150,SUM24L,	G2098	SA
Replacement	JC69-00906A	BOX(P)-MAIN XAA;ML-3561ND,DC3,A-1,598,49		SA
Replacement	3903-000085	CBF-POWER CORD;DT,US,BP3/YES,I(IEC C13/C		SA
#N/A	JC68-01613A	MANUAL-QIG;ML-3560,SAMSUNG,14LANGUAGE,-,-		SNA
#N/A	JC96-01815D	ELA ETC-SUBSIDIARY;ML-2150,SEC,110V,-,-,-		SNA
#N/A	JC96-03404A	ELA HOU BASE-FRAME;ML-3560,XEROX,-,110V/		SNA
#N/A	JC96-03733A	ELA HOU-NPC3_HIGH;ML-3561N,SAMSUNG,NPC3_	Z2266	SA
#N/A	JC99-01868C	PAA WOOD-PACKING;ML-3561ND,SEC,-,-,-,-		SNA
#N/A	JC99-01890A	PAA-LABEL_XAX;SCX-4521F,XAX,MAX,LABEL AS		SNA
#N/A	JC99-01914E	INA-ACCESSORY_XAX;ML-3561N,SAMSUNG,XAX,N		SNA
#N/A	0202-001240	SOLDER-WIRE;HSE-01,-,D3,SN/0.5CU/0.03NI/		SNA
#N/A	0202-001492	SOLDER-WIRE FLUX;HSE-02 LFM48 SR-34 S,-,		SNA
#N/A	0203-000007	TAPE-FILAMENT;3M,T0.15,W18,L55M,TRP		SNA
#N/A	0203-001100	TAPE-OPP MASKING;OPP/W75/CLR,T0.05,W75,L		SNA
#N/A	0204-000469	THINNER;#4662,-,0.795,-		SNA
#N/A	0204-002978	FLUX;KSP-70L,-,84%,FLUX,SPRAY		SNA
#N/A	0205-001003	GREASE-BEARING;NYOGEL788,DAMPING GREASE,		SNA
#N/A	0502-001048	TR-POWER;KSD1691,NPN,1.3W,T0-126,BK,160		SA
#N/A	2401-000880	C-AL;220uF,20%,50V,WT,TP,10x16mm,5m		SA

Service BOM(SA : Service Available, SNA : Service not Available)

Drawer# (Section-No)	Part Code	Description	Location	Status (SA/SNA)
#N/A	2401-001185	C-AL;33uF,20%,35V,GP,TP,5x11,5		SNA
#N/A	2801-003376	CRYSTAL-UNIT;0.032768MHZ,20PPM,28-AA Y,12		SNA
#N/A	3301-001798	CORE-FERRITE;18.2X11.2X6.4MM+TUBE,1500,2		SNA
#N/A	3702-000118	CONNECTOR-RIBBON;36P,FEMALE,ANGLE,AU		SNA
#N/A	3702-001158	CONNECTOR-RIBBON;60,FEMALE,STRAIGHT,AU		SA
#N/A	3709-001131	CONNECTOR-CARD EDGE;100P,1.27MM,STRAIGHT		SNA
#N/A	3711-002000	HEADER-BOARD TO CABLE;BOX,18P,2R,2mm,STR		SNA
#N/A	3711-002807	HEADER-BOARD TO CABLE;BOX,6P,1R,2mm,STRA		SNA
#N/A	3711-002808	HEADER-BOARD TO CABLE;BOX,7P,1R,2mm,STRA		SNA
#N/A	3711-002811	HEADER-BOARD TO CABLE;BOX,10P,1R,2mm,STR		SNA
#N/A	3711-003981	HEADER-BOARD TO CABLE;BOX,28P,2R,2mm,STR		SA
#N/A	3722-000124	JACK-DIN;8P,-,AU,BLK,-		SNA
#N/A	3722-002303	JACK-USB;4P/1C,AU30U,BLK,ANGLE,B TYPE		SA
#N/A	6001-000130	SCREW-MACHINE;BH,+,M3,L6,ZPC(WHT),SWRCH1	-	SA
#N/A	6001-000568	SCREW-MACHINE;PH,+,M3,L8,NI PLT,SWRCH18A		SA
#N/A	6002-000440	SCREW-TAPPING;PWH,+, -,2,M3,L8,ZPC(BLK),S		SA
#N/A	6006-001193	SCREW-MACHINE;WSP,PH,+,M3,10,ZPC(YEL),SW		SNA
#N/A	6021-001194	NUT-SQUARE;- ,M3,PASS,SWCH+ZN COATING,SQU		SNA
#N/A	6044-000001	RING-CS;ID3,OD3,T0.25,BLACK,SUS304	D4088	SNA
#N/A	6902-000288	BAG PE;LDPE,T0.05,W250,L450,TRP,8,2-		SNA
#N/A	6902-000321	BAG PE;HDPE,T0.015,W800,L1300,TRP,28,6M-		SNA
#N/A	JB68-00073A	LABEL(R)-BAR CODE;SF-3000,PY,38X6.5,T0.1		SNA
#N/A	JB68-00916A	LABEL RATING-BLANK;SF-340,SEC,TETRON,0.0		SNA
#N/A	JC31-00027A	FAN-DC_HUMMINGBIRD;- ,ML-1710,-,-,-	F5019	SA
#N/A	JC31-00046A	FAN-SMPS;AD0305HB-K91,ML-3560,-,-,-	F5020	SA
#N/A	JC39-00435A	CBF HARNESS-SMPS;ML-3560,CBF,UL 1061,28P	H1255	SA
#N/A	JC39-00437A	CBF HARNESS-CART;ML-3560,CBF,UL 1061,14P	H1243	SA
#N/A	JC39-00438A	CBF HARNESS-DEV MOTOR;ML-3560,CBF,UL 106	H1246	SA
#N/A	JC39-00445A	CBF HARNESS-DC_MOTOR;ML-3560,CBF,UL 1061	H1245	SA
#N/A	JC46-00244A	S/W APPLICATION-CD;- ,ML-3560,DRV,1.00,1		SNA
#N/A	JC46-00255A	S/W APPLICATION-CD;- ,ML-3560,-,PRT DRV,1		SNA
#N/A	JC61-00787A	GUIDE-P_SKEW, DUP;ML-2150,SUS304,0.2T,13		SNA
#N/A	JC61-00809A	BRACKET-_M_NPC;MLC-500,SECC,T0.8,-,-,-	B0005	SNA
#N/A	JC61-01211A	GUIDE-P-TRANSFER;ML-3560,SECC,0.6,242,64		SNA
#N/A	JC61-01243A	HOLDER-M-PICK_UP;ML-3560,POM,1.5,16,26.7		SNA
#N/A	JC61-01553A	BRACKET-P-FAN_SMPS;ML-3560,SECC,T1.2,22.		SNA
#N/A	JC61-01611A	HOLDER-P-DAMPER;ML-3560,SECC,1.6,25,32.1	P2063	SA
#N/A	JC61-70915A	SPRING ETC-SOLENOID DP;ML-165,SUS304-WPB	S8015	SA
#N/A	JC62-00157A	INSULATION-SMPS;ML-3560,PC,0.43,W219,L25		SNA
#N/A	JC63-00459A	SHEET-SCAN LOWER;SCX-4100,PET,T0.188,-,-		SNA
#N/A	JC63-00675A	GROUND-P-PAPER_SIZE;ML-3560,C5210P,T0.2,		SNA
#N/A	JC63-00707A	SHEET-SMPS_SMALL;ML-3560,PC,0.4T,6.2,51.		SNA
#N/A	JC63-00875A	GROUND-P-BRUSH;ML-3560,C5210P,T0.2,14.4,		SNA
#N/A	JC63-00911A	SHEET-GUIDE PATH;ML-3560,PC,T0.254,21,84		SNA
#N/A	JC64-00190B	KNOB-M_REAR;ML-3560,HIPS,2.5,24.7,44.7,H		SNA
#N/A	JC66-00377A	CAM-M-PICK_UP;ML-1710,POM(DELIN 8903)-,	P2042	SA
#N/A	JC66-00852A	GEAR-M-FEED 2;ML-3560,POM,0.8,27,-,BLK,2		SNA
#N/A	JC66-00853A	GEAR-M-RETARD IDLE;ML-3560,POM,0.8,18,-,		SNA
#N/A	JC66-00877A	LEVER-M-BRACKET_SWING;ML-3560,PC M90-44		SNA
#N/A	JC66-01151A	DAMPER-PICK UP;ML-3560,NBR,-,19,13.7,20.		SNA
#N/A	JC68-00320A	MANUAL-(CARD)SEM SVC CARD;COMMON,SEM,XEM		SNA
#N/A	JC68-01451A	LABEL-MAC ADDRESS;COMMON,SEC,ART100G,0.0		SNA
#N/A	JC68-01552A	LABEL(R)-CASSETTE;COMMON,SAMSUNG,WHITE P		SNA
#N/A	JC68-01553A	LABEL-DUP;ML-3560,SAMSUNG,TETRON,0.75,56		SNA
#N/A	JC68-01579A	MANUAL-NETWORK GUIDE;CLP-600N,SEC,-,COMM		SNA
#N/A	JC68-01584A	LABEL(P)-BLANK 90*25;CLP-510,SEE,ART 100		SA
#N/A	JC68-01645A	LABEL(R)-WEEE;SCX-2250S3,SAMSUNG,PET_0.		SNA
#N/A	JC68-10932A	LABEL(P)-BLANK(ML);ML-85,ART,70X60,G100,		SNA
#N/A	JC68-10934F	LABEL(P)-NOM(BOX);COMMON,XAX,ART,100G,0.		SNA
#N/A	JC69-00860A	CUSHION-SCF IN;ML-3560,PE FOAM,-,15,260,		SNA
#N/A	JC69-00904A	CUSHION-MAIN 3561ND B;ML-3561ND,EPS,-,59		SNA
#N/A	JC69-00904B	CUSHION-MAIN 3561ND T;ML-3561ND,EPS,-,59		SNA
#N/A	JC69-00904C	CUSHION-MAIN 3561ND D;ML-3561ND,EPS,-,36		SNA
#N/A	JC72-00463A	PMO-CAP CONNECTOR L;ML-6060A,POM,BLACK,-	Z0013	SA
#N/A	JC72-00465A	PMO-CAP CONNECTOR U;ML-6060A,POM,BLACK,-	Z0014	SA
#N/A	JC72-01354A	PMO-DUMMY-PATH;ML-3560,PC,BLK,190.9*51.2	Z0017	SA
#N/A	JC73-00141A	RPR-PAD CASSETTE;ML-1510,URETHANE SPONGE	R0020	SA
#N/A	JC92-01516A	PBA SUB-PTL2;ML-2150,SEC,KOREA,PTL2,-,-,	M0411	SA
#N/A	JC92-01672A	PBA SUB-NPC3_HIGH;ML-3560,SEC,KOREA,10/1	P0008	SA
#N/A	JC94-00873A	PHANTOM AU JC92-01657C		SNA

Service BOM(SA : Service Available, SNA : Service not Available)

Drawer# (Section-No)	Part Code	Description	Location	Status (SA/SNA)
#N/A	JC96-01579A	ELA HOU-MOTOR GND;SF-5100,HANSUNG,100Moh	Z2265	SA
#N/A	JC96-03376A	ELA UNIT-DEVE KIT;ML-3560,SAMSUNG,-,6K,-		SNA
#N/A	JC96-03656A	ELA UNIT-200MOHM;ML-3560,SEC,200MOHM,-,-		SNA
#N/A	JC96-03662A	ELA UNIT-ROLLER_DUP;ML-3560,-,-,DUPLX,-		SNA
#N/A	JC97-02388B	MEA UNIT-COVER RIGHT;ML-3560,SEC,-,110V//	E4064	SA
#N/A	JF68-10532B	LABEL(P)-BAR CODE;CLP-500,-,YUPO PAPER,1		SNA
#N/A	0201-001183	ADHESIVE-AA;ARON ALPHA #202F,NTR,100,20G		SNA
#N/A	0201-001235	ADHESIVE-TS;DEH-390D,RED,400,-		SNA
#N/A	0202-001459	SOLDER-CREAM;S3X58-M405,-,D20-38\$,96.5SS		SNA
#N/A	0205-001059	GREASE-BEARING;PETAMO GHV 133,BEIGE,15KG		SNA
#N/A	0205-001067	GREASE-GRAPHITE;NYOGEL 756G,HYDRO CARBON		SNA
#N/A	0205-001080	GREASE-BEARING;NYOGEL 774H,NOISE DAMPING		SNA
#N/A	0205-001088	GREASE-BEARING;NICHIMOLY DM-1770X,PTFE,-		SNA
#N/A	0403-000433	DIODE-ZENER;ZPU150,130-165V,1300MW,DO-41		SA
#N/A	0403-001440	DIODE-ZENER;1N5956BRL/BZY97-C200,188-212		SNA
#N/A	0404-000112	DIODE-SCHOTTKY;RB420D,40V,100MA,SOT-23,T		SA
#N/A	0501-000342	TR-SMALL SIGNAL;KSC1623-Y,NPN,200mW,SOT-		SA
#N/A	0601-001332	LED;CBI,GRN,2.9mm,567nm		SNA
#N/A	0601-001619	LED;CBI,RED/GRN,3MM,635/568NM,6.35X7X6MM		SA
#N/A	0801-000794	IC-CMOS LOGIC;7S08,AND GATE,SOT-25,5,63M		SA
#N/A	0904-001989	IC-USC;ISP1582BS,-,HVQFN56,56P,8X8X0.85M		SA
#N/A	1006-001224	IC-LINE TRANSCEIVER;74LVX161284,TSSOP,48		SA
#N/A	1107-001549	IC-FLASH MEMORY;K9F5616U0C,16MX16BIT,TSO		SA
#N/A	1202-000164	IC-VOLTAGE COMP.;393,SOP,8P,150MIL,DUAL,		SA
#N/A	1203-003739	IC-DC/DC CONVERTER;MVP31,DFN,12P,4X3MM,		SNA
#N/A	2007-000071	R-CHIP;22ohm,5%,1/10W,TP,1608		SA
#N/A	2007-000082	R-CHIP;3.3Kohm,5%,1/10W,TP,1608		SA
#N/A	2007-000084	R-CHIP;4.7Kohm,5%,1/10W,TP,1608		SA
#N/A	2007-000105	R-CHIP;200Kohm,5%,1/10W,TP,1608		SA
#N/A	2007-000106	R-CHIP;220Kohm,5%,1/10W,TP,1608		SA
#N/A	2007-000107	R-CHIP;470Kohm,5%,1/10W,TP,1608		SA
#N/A	2007-000109	R-CHIP;1Mohm,5%,1/10W,TP,1608		SA
#N/A	2007-000123	R-CHIP;1.5Kohm,5%,1/10W,TP,1608		SA
#N/A	2007-000309	R-CHIP;10ohm,5%,1/10W,TP,1608		SA
#N/A	2007-000965	R-CHIP;5.1Kohm,5%,1/10W,TP,1608		SA
#N/A	2007-001044	R-CHIP;56ohm,5%,1/10W,TP,1608		SNA
#N/A	2007-001139	R-CHIP;7.5Kohm,1%,1/10W,TP,1608		SA
#N/A	2007-002901	R-CHIP;12.1Kohm,1%,1/10W,TP,1608		SA
#N/A	2007-007239	R-CHIP;31.6Kohm,1%,1/10W,TP,1608		SNA
#N/A	2007-007521	R-CHIP;14.7Kohm,1%,1/10W,TP,1608		SA
#N/A	2007-008371	R-CHIP;280Kohm,1%,1/10W,TP,1608		SNA
#N/A	2007-008567	R-CHIP;15.4Kohm,1%,1/10W,TP,1608		SNA
#N/A	2011-000002	R-NET;22ohm,5%,1/16W,L,CHIP,8P,TP,3216		SA
#N/A	2011-000651	R-NET;10ohm,5%,1/16W,L,CHIP,8P,TP,3216		SA
#N/A	2011-001011	R-NET;10Kohm,5%,1/16W,L,CHIP,8P,TP,3.2x1		SNA
#N/A	2011-001334	RC-NETWORK;1K/5.1K/39ohm,10%,150pF,-,6V,		SNA
#N/A	2203-000491	C-CER,CHIP;2.2nF,10%,50V,X7R,TP,1608,-		SA
#N/A	2203-006474	C-CER,CHIP;2200nF,20%,6.3V,X5R,2012		SA
#N/A	2203-006646	C-CER,CHIP;1000nF,10%,6.3V,X5R,2012		SA
#N/A	2402-001042	C-AL,SMD;100uF,20%,16V,GP,TP,6.6x6.6x5.4		SA
#N/A	2402-001049	C-AL,SMD;10uF,20%,16V,GP,TP,3.3x3.3x5.4		SA
#N/A	2503-001023	C-NETWORK;47PFX4,10%,50V,-,3216		SNA
#N/A	2703-002055	INDUCTOR-SMD;2.2UH,20%,6363		SNA
#N/A	2801-001375	CRYSTAL-UNIT;10MHz,20ppm,28-AAA,16pF,45o		SNA
#N/A	2801-003886	CRYSTAL-UNIT;12MHz,50ppm,28-AAA,16pF,50o		SNA
#N/A	2801-004414	CRYSTAL-UNIT;25MHZ,50PPM,HC-49/S,12PF,50		SNA
#N/A	2901-001178	FILTER-EMI SMD;25V,2A,-,100000pF,2x1.25x		SA
#N/A	3301-000317	BEAD-SMD;120ohm,2012,TP,-,-		SNA
#N/A	3405-001048	SWITCH-MICRO;125V,5A,64gf,SPDT		SA
#N/A	3405-001073	SWITCH-MICRO;125V,5A,40GF,SPDT		SNA
#N/A	3711-002809	HEADER-BOARD TO CABLE;BOX,8P,1R,2mm,STRA		SA
#N/A	3711-002810	HEADER-BOARD TO CABLE;BOX,9P,1R,2mm,STRA		SNA
#N/A	3711-003408	HEADER-BOARD TO CABLE;BOX,2P,1R,2mm,STRA		SNA
#N/A	3711-003409	HEADER-BOARD TO CABLE;BOX,3P,1R,2mm,STRA		SNA
#N/A	3711-003410	HEADER-BOARD TO CABLE;BOX,4P,1R,2mm,STRA		SNA
#N/A	3711-003968	HEADER-BOARD TO CABLE;BOX,3P,1R,2.5mm,ST		SA
#N/A	3711-003969	HEADER-BOARD TO CABLE;BOX,2P,1R,2.5mm,ST		SNA
#N/A	3711-004349	HEADER-BOARD TO CABLE;BOX,3P,1R,2MM,STRA		SA
#N/A	3711-004487	HEADER-BOARD TO BOARD;BOX,80P,2R,0.8MM,S		SA
#N/A	3711-005861	HEADER-BOARD TO BOARD;BOX,40P,2R,0.8MM,S		SA

Service BOM(SA : Service Available, SNA : Service not Available)

Drawer# (Section-No)	Part Code	Description	Location	Status (SA/SNA)
#N/A	3722-001319	JACK-MODULAR;8P/8C,STANDARD,Y,ANGLE,INVE		SA
#N/A	6902-000664	BAG CONDUCTIVE;LLDPE,T0.1,W420,L400,BLK,		SNA
#N/A	JB39-00128A	CBF HARNESS-P1284 FG;SF-430,UL1007,#18,1	H1192	SA
#N/A	JC02-00044A	TONER-GRINDED;ML-3560,TUFTONE YK-5,-,8.1		SNA
#N/A	JC13-00028A	IC ASIC-SPGPV3;SPGPV3,ML-2550_VE,496PIN,		SA
#N/A	JC39-00182A	CBF HARNESS-MP_SEN.;SCX-5100,WIRE HARNES	H1170	SA
#N/A	JC39-00465A	CBF HARNESS-EXIT;ML-3560,CBF,UL 1061,3PI	H1247	SA
#N/A	JC39-00478A	CBF HARNESS-FUSEROPEN;ML-3560,CBF,UL 106	H1250	SA
#N/A	JC39-00479A	CBF HARNESS-FEED;ML-3560,CBF,UL 1061,3PI	H1248	SA
#N/A	JC41-00068B	PCB-FUSER SWITCH;ML-3560,FR-1,1LAYER,-,1		SNA
#N/A	JC41-00143A	PCB-MOTOR GND;ML-1210,FR-1,1L,-,1.6T,39		SNA
#N/A	JC41-00178A	PCB-PTL2 B'D;ML-2150,FR-1,1LAYER,-,1.6T,		SNA
#N/A	JC41-00271A	PCB MAIN-MAIN;ML-3560,FR-4,6L,-,1.6T,154		SNA
#N/A	JC61-00026A	SPRING ETC-TS-CHARGE APOLLO;SF-5100,SUS3		SNA
#N/A	JC61-00033A	SPRING ETC-ARM. L;ML-6060,SWP-B,-,-,8.		SNA
#N/A	JC61-00034A	SPRING ETC-ARM. R;ML-6060,SWP-B,-,-,8.		SNA
#N/A	JC61-00391A	SPRING ETC-DUPLEX COVER;ML-9400W,SUS304W	Z4169	SA
#N/A	JC61-01185A	FRAME-M-DEV LOWER;ML-3560,ABS+GF20,-,HB,		SNA
#N/A	JC61-01187A	BRACKET-P-DEV LOWER;ML-3560,SECC,T0.8,24		SNA
#N/A	JC61-01188A	BRACKET-P-COUPLER;ML-3560,SPCC+NI,1.2T,1		SNA
#N/A	JC61-01191A	FRAME-M-DEV CLEAN;ML-3560,ABS+GF20,-,HB,		SNA
#N/A	JC61-01194A	PLATE-M-DEV R;ML-3560,ABS,T2,20.9,54.69,		SNA
#N/A	JC61-01196A	HOLDER-DEV;ML-3560,LDPE,2,8,317,RED,-		SNA
#N/A	JC61-01579A	HOLDER-P-REGI;ML-3560,BRONZE SINTERED,-,		SNA
#N/A	JC61-70927A	SPRING ETC-DEV_L;ML-7000,-,D0.6,-,5.6,20		SA
#N/A	JC61-70929A	SPRING ETC-HV LARGE;ML-5000A,SUS304-WPB,		SA
#N/A	JC62-00090A	SEAL-FRAME LOWER;ML-1710,URETHAN FORM,-		SNA
#N/A	JC62-00137A	SEAL-FRAME LOWER R2;SCX-4920N,URETHAN FO		SNA
#N/A	JC62-00141A	SEAL-DAMPER;SCX-6320F,PORON(LE20),BLK,5T		SNA
#N/A	JC62-00160A	SEAL-DEV;ML-3560,FELT+PORON,-,T2.5,5,2,3		SNA
#N/A	JC63-00076A	COVER-WINDOW SF-530;SF-530,PVC FILM,T0.	M0402	SA
#N/A	JC63-00111A	COVER-M-SHUTTER;ML-2150,ABS,1.5,-,294.1,		SNA
#N/A	JC63-00705D	COVER-M_OP PANEL_SEC;ML-3561ND,ABS,T2.5,		SNA
#N/A	JC63-00709A	SHEET-FILM REAR;ML-3560,PET,0.075,11.2,2		SNA
#N/A	JC63-00902A	GROUND-P-PICK_UP;ML-3560,C5210P,T0.2,18,		SNA
#N/A	JC65-00007A	TERMINAL-P_PTL 2;ML-2150,PB(C5210P),-,	K4273	SA
#N/A	JC66-00535A	SHAFT-OPC;ML-2150,SUS303,-,6,-,-,-		SNA
#N/A	JC66-00844A	GEAR-M COUPLER;ML-3560,POM,0.8,17,16.3,B		SNA
#N/A	JC66-00845A	GEAR-M DEV;ML-3560,POM,0.6,19,6,NTR,13,3		SNA
#N/A	JC66-00846A	GEAR-M SR;ML-3560,POM,0.6,20,7.5,NTR,13		SNA
#N/A	JC66-00847A	GEAR-M IDLE 28;ML-3560,POM,0.6,28,9.6,NT		SNA
#N/A	JC66-00848A	GEAR-M RDCN AGI;ML-3560,POM,0.6/0.8,49/1		SNA
#N/A	JC66-00849A	ARM-M SHUTTER L;ML-3560,HIPS,HB,5.7,43.7		SNA
#N/A	JC66-00850A	ARM-M SHUTTER R;ML-3560,HIPS,HB,5.7,43.7		SNA
#N/A	JC66-00905A	SHAFT-DEV;ML-3560,SUM24L+NI,280.0,¥05,-,S		SNA
#N/A	JC66-00908A	ROLLER-DEV;ML-3560,NBR,D16,232,-,-,-		SNA
#N/A	JC66-40919A	GEAR-AGITATOR;ML-7000,POM(NW-02),M0.8,Z4		SNA
#N/A	JC67-00033A	CAP-M-SENSOR;ML-2150,HIPS,1.5,21,27.60.3		SNA
#N/A	JC67-00035A	CAP-M-WIRE PTL UPPER;ML-2150,PC(NH-1023)	C1016	SA
#N/A	JC67-00047A	CAP-M_BUSHING ACTUATOR;ML-2150,POM,-,-,-	C0006	SA
#N/A	JC67-00088A	COUPLER-M-DEV;ML-3560,POM,D20,-,NTR,-		SNA
#N/A	JC67-00089A	CAP-M DEV R;ML-3560,PC,T2.5,52.07,50.89,		SNA
#N/A	JC67-00091A	CAP-M DEV L;ML-3560,PC,T2.5,36.62,25.91,		SNA
#N/A	JC67-00159A	CAP-M-SPRING;ML-3560,ABS,T1.5,4,8,BLK,-		SNA
#N/A	JC68-00408A	LABEL(R)-LV FUSER;COMMON,PVC,-,110V,-,,-,		SNA
#N/A	JC68-00573A	LABEL(R)-BARCODE;ML-4500,PET,T0.05,10mm,		SNA
#N/A	JC68-01134A	LABEL(P)-BLANK(FUSER);ML-1710D3,-,WHITE		SNA
#N/A	JC68-01525A	LABEL(R)-SEAL(DEVE);COMMON,-,TETRON,0.2T		SNA
#N/A	JC68-01541A	MANUAL-TONER INSTALL;COMMON,SEC,-,-,ART1		SNA
#N/A	JC68-01581A	LABEL(P)-CAUTION HOT;COMMON,SAMSUNG,PET,	L0001	SNA
#N/A	JC68-10209B	LABEL(P)-PACK DEVE;ML-85,ART,34*84,G100,		SNA
#N/A	JC68-10914D	LABEL(P)-SERIAL NO;ML-85,ART,70X15,G100,		SNA
#N/A	JC70-40912A	ICT-SHAFT HV LARGE;ML-5000A,SWCH18A,-,¥+	S4027	SA
#N/A	JC72-00398A	PPR-FILM OPC;ML-6060,URETHANE,NTR,0.2T,-		SNA
#N/A	JC72-00995A	PMO-STACKER LOCKER;ML-2150,PC,-,-,0810P,	L6053	SA
#N/A	JC72-01302A	PMO-M-FLEXIBLE COUPLE;SCX-6320F,POM(M90-		SNA
#N/A	JC72-01373A	SPONGE-COVER_R;ML-3560,POLYURETHANE,-,5,		SNA
#N/A	JC72-40232A	PMO-CAP AGITATOR;ML-80,PP,BLK,-,-		SA
#N/A	JC73-00046A	RPR-SEAL CLEAN L;ML-6060,TEFLON FELT,8.5		SNA
#N/A	JC73-00047A	RPR-SEAL CLEAN R;ML-6060,TEFLON FELT,8.5		SNA

Service BOM(SA : Service Available, SNA : Service not Available)

Drawer# (Section-No)	Part Code	Description	Location	Status (SA/SNA)
#N/A	JC73-00053A	RPR-SEAL CLEAN SUB;ML-6060,URETHANE,5*9.		SNA
#N/A	JC73-00101A	RPR-SEAL CLN BRKT;ML-6060,URETHANE FOAM,		SNA
#N/A	JC73-10017A	RPR-SEAL_BLOCK;ML-80,POLYURETHANE FOAM,T		SNA
#N/A	JC73-10937A	RPR-SEAL FRAME;ML-7000,URETHANE FOAM,13*		SA
#N/A	JC73-40906A	RMO-SEAL AGITATOR;ML-5000,SANTOPRENE,-,-		SNA
#N/A	JC75-10965A	MEC-ROLLER_SUPPLY;ML-7000,SEC,-,-,-,-,-,-		SNA
#N/A	JC92-01475A	PBA MAIN-PTL1;ML-2150,SEC.KOREA,PTL1 B'D	M0248	SA
#N/A	JC92-01477A	PBA MAIN-DEV;ML-2150,SEC,KOREA,DEV B'D,-		SNA
#N/A	JC94-00339A	PHANTOM AU JC92-01362A	Z6088	SNA
#N/A	JC94-00861A	PHANTOM AU JC92-01704A		SNA
#N/A	JC94-00863A	PHANTOM AU JC92-01679A		SNA
#N/A	JC94-00865A	PHANTOM AU JC92-01512B		SNA
#N/A	JC94-00866A	PHANTOM AU JC92-01262C		SNA
#N/A	JC94-00867A	PHANTOM AU JC92-01672A		SNA
#N/A	JC94-00868A	PHANTOM AU JC92-01511B		SNA
#N/A	JC97-01688A	MEA UNIT-HOLDER CR;ML-2150,SAMSUNG,-,CAR		SNA
#N/A	JC97-02212A	MEA UNIT-DRUM;ML-3560,SAMSUNG,-,OPC DRUM		SNA
#N/A	JC97-02213A	MEA UNIT-HOPPER;ML-3560,SAMSUNG,-,HOPPER		SNA
#N/A	JC97-02215A	MEA UNIT-DUCT;ML-3560,SAMSUNG,-,DUCT ASS		SNA
#N/A	JC97-02224A	MEA UNIT-BLADE;ML-3560,SAMSUNG,-,DOCTOR		SNA
#N/A	JC97-02225A	MEA UNIT-CLEAN;ML-3560,SAMSUNG,-,CLEANIN		SNA
#N/A	JC97-02227A	MEA UNIT-ROLLER CR;ML-3560,SAMSUNG,-,ROL		SNA
#N/A	JC97-02236A	MEA UNIT-FUSER_BK_G;ML-3560,XEROX,USA,ME		SNA
#N/A	JC97-02237A	MEA UNIT-BUSHING SR;ML-3560,SAMSUNG,-,ID		SNA
#N/A	JC97-02255A	MEA UNIT-PLATE DEV L;ML-3560,SAMSUNG,-,P		SNA
#N/A	JC97-02382A	MEA UNIT-SPACER DR;ML-3560,-,-,SPACER-M-		SNA
#N/A	JG74-10522A	MPR-RING MAGROLL;SF6000,POLY,ID6.1XOD11.		SA
#N/A	0201-001162	ADHESIVE-CYA;LOCTITE403,NTR,1250,20G		SNA
#N/A	0203-001189	TAPE-ACETATE;#810,T0.05,W12,L65000,TRP,-		SNA
#N/A	0205-000005	GREASE-BEARING;EP56,DIAMOND HYDRO FLUID,		SNA
#N/A	0401-000005	DIODE-SWITCHING;1N4148,75V,150mA,DO-35,T		SA
#N/A	0401-000116	DIODE-SWITCHING;MMSD914T1,100V,200MA,SOD		SNA
#N/A	0403-000158	DIODE-ZENER;1N4750A,25.7-28.4(5%),1000MW		SNA
#N/A	0403-000716	DIODE-ZENER;MTZJ4.7B,4.59-4.77V,500MW,DO		SA
#N/A	0407-000101	DIODE-ARRAY;DA204K,20V,100mA,C2-3,SOT-23		SA
#N/A	0407-000122	DIODE-ARRAY;KDS226,80V,300mA,C2-3,SOT-23		SA
#N/A	0501-000279	TR-SMALL SIGNAL;KSA1182-Y,PNP,150mW,SOT-		SA
#N/A	0501-000457	TR-SMALL SIGNAL;MMBT2222A,NPN,350MW,SOT-		SA
#N/A	0601-000003	LED;ROUND,RED/GRN,3.1MM,650/563NM,3.8X5.		SA
#N/A	0601-001459	LED;ROUND,GRN,3mm,570nm		SA
#N/A	0903-001355	IC-MICROCONTROLLER;S3C2510A,32BIT,BGA,41		SA
#N/A	1003-001535	IC-MOTOR DRIVER;A3977SLP,TSSOP,28P,9.6X4		SA
#N/A	1103-001321	IC-EEPROM;24WC128,16KX8BIT,_SOP,8P,5X4MM,		SNA
#N/A	1105-001264	IC-DRAM;4S161622,512KX16X2BIT,TSOP,50P,4		SA
#N/A	1105-001357	IC-DRAM;K4S281632,-,128NBIT,4X2MX16BIT,T		SA
#N/A	1107-001286	IC-FLASH MEMORY;29LV160,2MX8/1MX16BIT,TS		SNA
#N/A	1203-002220	IC-POS.LADJUST REG.;LD1117,DPAK,3P,240MI		SA
#N/A	1203-002233	IC-RESET;XC61F,SOT-23,3P,-,PLASTIC,0.7/1		SNA
#N/A	1203-002454	IC-POS.FIXED REG.;FAN1117A,TO-252,3P,25		SA
#N/A	1205-002339	IC-CLOCK GENERATOR;CY25811SC,SOIC,8P,150		SA
#N/A	1205-002593	IC-TRANSCIEVER;E-STE100P,TQFP,64P,10X10M		SNA
#N/A	1404-001360	THERMISTOR-NTC ASSY;7KOHM,-,3370K,0.3MW		SA
#N/A	2001-000019	R-CARBON(S);100HM,5%,1/2W,AA,TP,2.4X6.4M		SA
#N/A	2001-000281	R-CARBON;100OHM,5%,1/8W,AA,TP,1.8X3.2MM		SA
#N/A	2001-000362	R-CARBON;150OHM,5%,1/8W,AA,TP,1.8X3.2MM		SA
#N/A	2001-000502	R-CARBON;200OHM,5%,1/4W,AA,TP,2.4X6.4MM		SA
#N/A	2001-000591	R-CARBON;3.3KOHM,5%,1/8W,AA,TP,1.8X3.2MM		SA
#N/A	2005-000168	R-WIRE WOUND,NON;0.22ohm,5%,2W,AA,BK,4x1		SA
#N/A	2007-000052	R-CHIP;10Kohm,1%,1/10W,TP,1608		SA
#N/A	2007-000070	R-CHIP;0ohm,5%,1/10W,TP,1608		SA
#N/A	2007-000074	R-CHIP;100ohm,5%,1/10W,TP,1608		SA
#N/A	2007-000076	R-CHIP;330ohm,5%,1/10W,TP,1608		SA
#N/A	2007-000077	R-CHIP;470ohm,5%,1/10W,TP,1608		SA
#N/A	2007-000078	R-CHIP;1Kohm,5%,1/10W,TP,1608		SA
#N/A	2007-000083	R-CHIP;3Kohm,5%,1/10W,TP,1608		SA
#N/A	2007-000086	R-CHIP;5.6Kohm,5%,1/10W,TP,1608		SA
#N/A	2007-000090	R-CHIP;10Kohm,5%,1/10W,TP,1608		SA
#N/A	2007-000094	R-CHIP;22Kohm,5%,1/10W,TP,1608		SA
#N/A	2007-000096	R-CHIP;30Kohm,5%,1/10W,TP,1608		SA
#N/A	2007-000113	R-CHIP;33ohm,5%,1/10W,TP,1608		SA

Service BOM(SA : Service Available, SNA : Service not Available)

Drawer# (Section-No)	Part Code	Description	Location	Status (SA/SNA)
#N/A	2007-000115	R-CHIP;82ohm,5%,1/10W,TP,1608		SNA
#N/A	2007-000120	R-CHIP;680ohm,5%,1/10W,TP,1608		SA
#N/A	2007-000134	R-CHIP;33Kohm,5%,1/10W,TP,1608		SA
#N/A	2007-000287	R-CHIP;100OHM,1%,1/10W,TP,1608		SA
#N/A	2007-000475	R-CHIP;1Mohm,1%,1/10W,TP,1608		SA
#N/A	2007-000539	R-CHIP;200ohm,5%,1/10W,TP,1608		SA
#N/A	2007-000839	R-CHIP;39ohm,5%,1/10W,TP,1608		SA
#N/A	2007-001002	R-CHIP;510ohm,5%,1/10W,TP,1608		SA
#N/A	2007-007226	R-CHIP;49.9ohm,1%,1/10W,TP,1608		SNA
#N/A	2007-007611	R-CHIP;56.2ohm,1%,1/10W,TP,1608		SNA
#N/A	2007-007613	R-CHIP;121ohm,1%,1/10W,TP,1608		SNA
#N/A	2011-001094	R-NET;39OHM,5%,1/16W,L,CHIP,8P,TP		SA
#N/A	2201-000017	C-CERAMIC,DISC;1nF,10%,50V,Y5P,-.5x3.5mm		SA
#N/A	2203-000041	C-CER,CHIP;0.01nF,0.25pF,50V,C0G,1608		SA
#N/A	2203-000189	C-CER,CHIP;100nF,+80-20%,25V,Y5V,1608		SA
#N/A	2203-000236	C-CER,CHIP;0.1nF,5%,50V,C0G,1608		SA
#N/A	2203-000257	C-CER,CHIP;10nF,10%,50V,X7R,1608		SA
#N/A	2203-000384	C-CER,CHIP;0.015nF,5%,50V,C0G,1608		SA
#N/A	2203-000426	C-CER,CHIP;0.018nF,5%,50V,C0G,1608		SA
#N/A	2203-000440	C-CER,CHIP;1nF,10%,50V,X7R,1608		SA
#N/A	2203-000681	C-CER,CHIP;0.027nF,5%,50V,C0G,1608		SA
#N/A	2203-000783	C-CER,CHIP;0.33nF,5%,50V,C0G,1608		SA
#N/A	2203-000815	C-CER,CHIP;0.033nF,5%,50V,C0G,1608		SA
#N/A	2203-001408	C-CER,CHIP;0.27nF,5%,50V,NP0,1608		SNA
#N/A	2203-002392	C-CER,CHIP;220nF,+80-20%,50V,Y5V,2012		SA
#N/A	2203-005249	C-CER,CHIP;100nF,10%,50V,X7R,1608		SNA
#N/A	2401-000042	C-AL;100uF,20%,16V,GP,TP,6.3x7,5		SA
#N/A	2401-000426	C-AL;10uF,20%,16V,GP,TP,3.5x5,5		SA
#N/A	2401-002300	C-AL;47uF,20%,50V,GP,TP,6.3x11,5		SA
#N/A	2404-000284	C-TA,CHIP;10uF,20%,16V,-,TP,3528		SA
#N/A	2404-001102	C-TA,CHIP;33uF,20%,16V,GP,TP,6032,-		SNA
#N/A	3301-000325	BEAD-SMD;60ohm,3.2x2.5x1.3mm,400mA,TP,...		SNA
#N/A	3404-000116	SWITCH-TACT;12V,50mA,160gf,6X6X3.6mm,SPS		SA
#N/A	3405-001069	SWITCH-MICRO;125V,5A,30GF,SPDT		SA
#N/A	3501-000203	RELAY-MINIATURE;5V,200MW,1000MA,1FORMC,6		SA
#N/A	3710-002211	SOCKET-BOARD TO BOARD;80P,2R,0.8MM,SMD-S		SNA
#N/A	3711-003035	HEADER-BOARD TO CABLE;BOX,14P,2R,2mm,STR		SA
#N/A	3711-004379	HEADER-BOARD TO CABLE;BOX,4P,1R,2MM,STRA		SA
#N/A	JC07-00005A	LCD-PANEL;VHC1625SLYC9-1,ML-2150,16X2,36	L3018	SA
#N/A	JC13-00027A	IC ASIC-JUPITER4E;S4FD004X,ML-1520,160P,		SA
#N/A	JC39-00249A	CBF HARNESS-LCD;ML-2150,WIRE,UL2877,8PIN	H1118	SA
#N/A	JC39-00251A	CBF HARNESS-PANEL;ML-2150,CBF,UL 1061,6P	H1193	SA
#N/A	JC39-00464A	CBF HARNESS-COVEROPEN;ML-3560,CBF,UL 106	H1244	SA
#N/A	JC41-00133A	PCB-SENSOR;SCX-5100,FR-1,1L,-,1.6T,22X12		SNA
#N/A	JC41-00175A	PCB-PTL1 B'D;ML-2150,FR-1,1LAYER,-,1.6T,		SNA
#N/A	JC41-00197B	PCB-EMPTY SENSOR;ML-3560,FR-1,1LAYER,-,1		SNA
#N/A	JC41-00270A	PCB SUB-PCI NPC;ML-3560,FR-4,6 LAYER,-,1		SNA
#N/A	JC41-00288A	PCB-COVEROPEN;ML-3560,FR-1,1LAYER,-,1.6T		SNA
#N/A	JC41-00289A	PCB-JOINT B'D;ML-3560,FR-1,1LAYER,-,1.6T		SNA
#N/A	JC41-00291A	PCB-DPX/SCF;ML-3560,FR-4,2LAYER,-,1.6T,1		SNA
#N/A	JC41-00307A	PCB-FEED;ML-3560,FR-1,1LAYER,-,1.6T,11X2		SNA
#N/A	JC41-00308A	PCB-EXIT;ML-3560,FR-1,1LAYER,-,1.6T,45X1		SNA
#N/A	JC47-00010A	LAMP-PTL;90-20-210-167,ML-2150,4.1 X 9.4	L1019	SA
#N/A	JC60-00012A	SPACER-M-DR;ML-3560,POM,-,ID10,OD16.415,		SNA
#N/A	JC61-00631A	HOLDER-M-CR;ML-2150,PC,1.3,-,NTR,-		SNA
#N/A	JC61-01186A	FRAME-M-DEV CAP;ML-3560,HIPS,-,HB,BLK,T2		SNA
#N/A	JC61-01189A	BRACKET-P-BLADE;ML-3560,SPCC+NI PLT,T1,2		SNA
#N/A	JC61-01190A	BRACKET-P-CLEAN;ML-3560,SECC,T1,2,255,5,		SNA
#N/A	JC61-01192A	FRAME-M-DEV DUCT;ML-3560,HIPS,-,HB,BLK,T		SNA
#N/A	JC61-01195A	PLATE-M-DEV L;ML-3560,ABS,T2,15.5,54.69,		SNA
#N/A	JC61-01197A	FRAME-M-HOPPER;ML-3560,HIPS,-,HB,BLK,T2,		SNA
#N/A	JC61-01198A	BUSH-M-SUPPLY;ML-3560,POM,ID4.0,OD6.4,9.		SNA
#N/A	JC61-01578A	PLATE-P-ACTUATOR COVER;ML-3560,SUS304,TO		SNA
#N/A	JC62-00158A	SEAL-HOPPER SIDE;ML-3560,POLYURETHANE FO		SNA
#N/A	JC63-00708A	SHEET-FILM DUCT;ML-3560,PET,0.188,9.5,22		SNA
#N/A	JC63-00724A	COVER-M-SLIDE SENSOR;ML-3560,NYLON+GF25%		SNA
#N/A	JC63-00903A	FELT-CLEAN TONER;ML-3560,ARAMID FIBER,5.		SNA
#N/A	JC65-00002A	TERMINAL-P_PTL L;ML-2060,PB(C5210P),-,-,	K4274	SA
#N/A	JC65-00003A	TERMINAL-P_PTL R;ML-2060,PB(C5210P),-,-,	K4275	SA
#N/A	JC66-00435A	GEAR-IDLE CR 17;ML-2150,POM, F20-03,0.6,		SNA

Service BOM(SA : Service Available, SNA : Service not Available)

Drawer# (Section-No)	Part Code	Description	Location	Status (SA/SNA)
#N/A	JC66-00841A	GEAR-M-TURBINE;ML-3560,POM,0.6,16,16.8,B		SNA
#N/A	JC66-00842A	GEAR-M-OPC MAIN;ML-3560,PC,0.8,40,-,BLK,		SNA
#N/A	JC66-00843A	GEAR-M ID TURBINE;ML-3560,POM,0.6/0.6,16		SNA
#N/A	JC66-00869B	GEAR-M_IDLE 25;ML-3560,RAL4032,1,19,-,YE		SNA
#N/A	JC66-00907A	DRUM-OPC;ML-3560,AL 5N01,-,30.04,255,-,U		SNA
#N/A	JC66-00930A	ROLLER-CHARGE;ML-3560,NBR,D12.2,L232,NTR		SNA
#N/A	JC66-40369A	GEAR-OPC R;ML-80,PC LS1250,M0.6,Z50,-,BL		SNA
#N/A	JC68-01633A	LABEL(P)-HOLD RE OPEN;ML-3560,-,PET,T0.0		SNA
#N/A	JC70-00509A	ELECTRODE-P-DEV;ML-3560,SUS301-CSP,-,26.		SNA
#N/A	JC70-00510A	ELECTRODE-P-SR;ML-3560,SUS301-CSP,-,32.1		SNA
#N/A	JC70-00511A	IPR-P-BLADE-DOCTOR;ML-3560,C1720R-1/2HM,		SNA
#N/A	JC70-10989A	IPR-ELECTRODE CHARGE;ML-5000,SUS301 1/2H		SNA
#N/A	JC71-00050A	NPR-EARTH OPC;-ML-2150,C5210P,0.2,-,-		SNA
#N/A	JC72-00082A	PMO-BUSHING AGI R;SF-5100,POM,BLK,-,-,-		SNA
#N/A	JC72-00508A	PMO-HANDLE DEVE;ML-6060,PC,BLK,-,-,HB,-		SNA
#N/A	JC72-00509A	PMO-HOLDER HANDLE;ML-6060,HIPS,BLK,-,-,H		SNA
#N/A	JC72-01352A	PMO-M TURBINE;ML-3560,ABS,BLK,Ø8, 249.7S		SNA
#N/A	JC72-10008A	PPR-FILM_HOPPER;ML-80,PP+PE,-,-,-,-,-		SNA
#N/A	JC72-40332A	PMO-BUSHING CHARGE;ML-80,POM,BLK,HB,-		SNA
#N/A	JC73-00225A	RUBBER-IDLE;ML-3560,EP+NR,D=26.8,30.6,5,	C4023	SA
#N/A	JC73-20902B	REX-BLADE CLEAN-B;ML-2150,URETHANE RUBBE		SNA
#N/A	JC94-00288A	PHANTOM AU JC92-01336A		SNA
#N/A	JC94-00467A	PHANTOM AU JC92-01477A		SNA
#N/A	JC94-00862A	PHANTOM AU JC92-01705A		SNA
#N/A	JC94-00894A	PHANTOM AU JC92-01473C		SNA
#N/A	JC96-03653A	ELA UNIT-THERMOSTAT L;ML-3560,SEC,USA,TH	K3145	SA
#N/A	JC96-03654A	ELA UNIT-ELECTRODE R;ML-3560,SEC,USA,ELE	K3058	SA
#N/A	JC97-01088A	MEA RACK-BUSHING AGI;ML-6000,SEC,KOR,POM		SA
#N/A	JC97-02214A	MEA UNIT-AGITATOR;ML-3560,SAMSUNG,-,AGIT		SNA
#N/A	0402-000129	DIODE-RECTIFIER;1N4003,200V,1A,DO-41,TP		SA
#N/A	1103-001183	IC-EEPROM;24C04,512x8,SOP,8P,5x4mm,2.5/5		SA
#N/A	2007-000075	R-CHIP;220ohm,5%,1/10W,TP,1608		SA
#N/A	2007-000293	R-CHIP;100ohm,5%,1/4W,TP,3216		SA
#N/A	2007-000303	R-CHIP;10Kohm,5%,1/4W,TP,3216		SA
#N/A	2007-000402	R-CHIP;150ohm,5%,1/10W,TP,1608		SA
#N/A	2203-000626	C-CER,CHIP;0.022nF,5%,50V,C0G,1608		SA
#N/A	2203-000998	C-CER,CHIP;0.047nF,5%,50V,C0G,1608		SA
#N/A	2802-001069	RESONATOR-CERAMIC;7.37MHz,0.5%,TP,4.7x4.		SNA
#N/A	3404-000165	SWITCH-TACT;12V,50mA,160gf,6x6mm,SPST		SA
#N/A	4712-001029	THERMOSTAT;125/250VAC,15/10A,170+-5C,0C,	K4280	SA
#N/A	6006-000127	SCREW-MACHINE;WS,PH,+,M3,L6,ZPC(YEL),SWR		SNA
#N/A	JB13-00004A	IC ASIC-OPE;SF-3100,HT48C5,SSOP,48P,16.1		SA
#N/A	JC39-40511A	CBF HARNESS;ML-80,JUMPER,AWG22,52mm,SILV		SA
#N/A	JC41-00176B	PCB-PANEL B'D;ML3560,FR-4,2LAYER,-,1.6T,		SNA
#N/A	JC41-00179A	PCB-DEV B'D;ML-2150,FR-1,1LAYER,-,1.6T,5		SNA
#N/A	JC41-00292A	PCB-TONER_SENSOR;ML-3560,FR-4,2LAYER,-,1		SNA
#N/A	JC41-10517A	PCB-CASSETTE;ML-165,FR-4,2L,-,1.6MM,55*5		SNA
#N/A	JC63-00710A	SHEET-FILM AGITATOR;ML-3560,PET,0.125,24		SNA
#N/A	JC67-00100A	CAP-M-CARBON BRUSH;ML-3560,PET+GF30%,FR5		SNA
#N/A	JC71-00057A	ELECTRODE-P-FU_R_08;ML-3560,T0.8,20.2,32		SNA
#N/A	JC72-01353A	PMO-M AGITATOR;ML-3560,ABS,BLK,223.6,-,-		SNA
#N/A	JC72-41050A	PMO-BUSHING AGITATOR;ML-7000,POM(M90-44)		SA
#N/A	JC73-40902A	RMO-SEAL AGITATOR;ML-7000,SANTOPRENE,9*4		SA
#N/A	JC96-03655A	ELA UNIT-CARBON&SP;ML-3560,SEC,USA,BRUSH	K3054	SA
#N/A	JC67-00104A	BRUSH-CARBON;ML-3560,SM190,-,D9,9.5,-,-	B0020	SNA