

Gas cooktop

User manual

NA30*5310F* / NA36*5310F*



SAMSUNG

WARNING: If the information in this manual is not followed exactly, a fire or explosion may result causing property damage, personal injury, or death.

- **DO NOT** store or use gasoline or other flammable vapors and liquids in the vicinity of this or any other appliance.
- **WHAT TO DO IF YOU SMELL GAS:**
 - **DO NOT** try to light any appliance.
 - **DO NOT** touch any electrical switch.
 - **DO NOT** use any phone in your building.
 - Immediately call your gas supplier from a neighbor's phone. Follow the gas supplier's instructions.
 - If you cannot reach your gas supplier, call the fire department.
- Installation and service must be performed by a qualified installer, service agency, or the gas supplier.

Regulatory Notice

1. FCC Notice

CAUTION

FCC CAUTION: Any changes or modifications not expressly approved by the party responsible for compliance could void the user's authority to operate the equipment.

This device complies with Part 15 of FCC Rules. Operation is Subject to following two conditions:

- 1)** This device may not cause harmful interference, and
- 2)** This device must accept any interference received including interference that cause undesired operation.

For products sold in the US and Canadian markets, only channels 1~11 are available. You cannot select any other channels.

FCC STATEMENT:

This equipment has been tested and found to comply within the limits for a Class B digital device, pursuant to part 15 of the FCC Rules. These limits are designed to provide reasonable protection against harmful interference in a residential installation.

This equipment generates, uses, and can radiate radio frequency energy and, if not installed and used in accordance with the instructions, may cause harmful interference to radio communications. However, there is no guarantee that interference will not occur in a particular installation. If this equipment does cause harmful interference to radio or television reception, which can be determined by turning the equipment off and on, the user is encouraged to try to correct the interference by one or more of the following measures:

- Reorienting or relocating the receiving antenna
- Increasing the separation between the equipment and receiver
- Connecting the equipment to an outlet that is on a different circuit than the radio or TV
- Consulting the dealer or an experienced radio/TV technician for help.

FCC RADIATION EXPOSURE STATEMENT:

This equipment complies with FCC radiation exposure limits set forth for an uncontrolled environment. This equipment should be installed and operated so there is at least 8 inches (20 cm) between the radiator and your body. This device and its antenna(s) must not be co-located or operated in conjunction with any other antenna or transmitter.

2. IC Notice

The term “IC” before the radio certification number only signifies that Industry Canada technical specifications were met. Operation is subject to the following two conditions: (1) this device may not cause interference, and (2) this device must accept any interference, including interference that may cause undesired operation of the device.

This Class B digital apparatus complies with Canadian ICES-003. For products sold in the US and Canadian markets, only channels 1~11 are available. You cannot select any other channels.

Regulatory Notice

IC RADIATION EXPOSURE STATEMENT:

This equipment complies with IC RSS-102 radiation exposure limits set forth for an uncontrolled environment. This equipment should be installed and operated so there is at least 8 inches (20 cm) between the radiator and your body. This device and its antenna(s) must not be co-located or operated in conjunction with any other antenna or transmitter.

General safety instructions

This unit has been tested and found to comply with the limits for a class B digital device, pursuant to Part 18 of the FCC rules. These limits are designed to provide reasonable protection against harmful interference in a residential installation. This unit generates, uses and can radiate radio frequency energy and, if not installed and used in accordance with the instructions, may cause harmful interference to radio communications.

However, there is no guarantee that interference will not occur in a particular installation. If this unit does cause harmful interference to radio or television reception, which can be determined by turning the unit off and on, the user is encouraged to try to correct the interference by one or more of the following measures:

- Reorienting or relocating the receiving antennae.
- Increasing the distance between the unit and receiver.
- Connecting the equipment to an outlet that is on a different circuit than the radio or TV.

Contents

Important safety information **6**

Overview **11**

Layout 11

What's included 12

Using the cooktop burners **13**

Ignition 13

Cookware 14

Install the grates 15

Care and cleaning of the cooktop **16**

Cooktop surface 16

Porcelain enamel surfaces (on some models) 16

Stainless steel surfaces (on some models) 16

Control knobs 17

Burner grates and components 17

Burner caps and heads 18

Burner bases 18

Electrodes 18

Grates 19

Burner head and cap replacement 19

Burner cap 20

Troubleshooting **21**

Checkpoints 21

Warranty (U.S.A) **22**

Warranty (CANADA) **24**

Important safety information

Read all instructions before using this appliance

- All electrical and gas equipment with moving parts can be dangerous. Please read the important safety instructions for this appliance in this manual. The instructions must be followed to minimize the risk of injury, death, or property damage.
- Save this manual. Please Do Not Discard.

Symbols used in this manual

WARNING

Hazards or unsafe practices that may result in severe personal injury or death.

CAUTION

Hazards or unsafe practices that may result in electric shock, personal injury, or property damage.

NOTE

Useful tips and instructions

These warning icons and symbols are here to prevent injury to you and others. Please follow them explicitly. After reading this section, keep it in a safe place for future reference.

California Proposition 65 Warning

WARNING

Cancer and Reproductive Harm - www.P65Warnings.ca.gov

Commonwealth of Massachusetts

- This product must be installed by a licensed plumber or gas fitter qualified or licensed by the State of Massachusetts. When using ball-type gas shut-off valves, you must use the T-handle type. Multiple flexible gas lines must not be connected in series.

General safety

WARNING

To reduce the risk of fire, electric shock, personal injuries, and/or death, observe the following precautions.

- **Do not touch** any part of the cooktop, including but not limited to cooktop burners during or immediately after cooking.
- **Know** the location of the gas shut-off valve and how to shut it off.
- **Make sure** the hold down brackets are properly installed on the cooktop. See the installation instructions for more information.
- **Do not let children near** the cooktop. Do not let children go onto the cooktop. Do not let children play with the cooktop or any part(s) of the cooktop. Do not leave children unattended in an area where the cooktop is in use.
- **Remove** all packaging materials from the cooktop before operating to prevent ignition of these materials. Keep all packaging materials out of children's reach. Properly dispose the packaging materials after the cooktop is unpacked.
- **Do not store** any object of interest to children on the cooktop or backguard of the cooktop. Children climbing on the cooktop to reach items could be killed or seriously injured.
- **Do not operate** the cooktop if the cooktop or any part of the cooktop is damaged, malfunctioning, or missing parts.
- **Do not use** the cooktop as a space heater. Use the cooktop for cooking only.
- **Use** only dry pot holders.
- **Do not use** the cooktop to heat unopened food containers.
- **Unplug or disconnect** the power cord before servicing.
- Never store combustible materials (dishtowels, paper products, etc.) or packaged or canned food under the cooktop in a way that would let them come in contact with the underside of the cooktop. The combustible material could catch fire and the packaged or canned food could explode.
- Make sure the gas line is not compressed or bent by heavy objects. Otherwise, gas leaks or incomplete combustion may occur.

- Do not lean on the cooktop. You may turn the control knobs accidentally.
- Do not stand on top of the appliance or place objects (such as laundry, an oven cover, lighted candles, lighted cigarettes, dishes, chemicals, metal objects, etc.) on the appliance.
 - This may result in electric shock, fire, problems with the product, or injury.

Fire safety

WARNING

To reduce the risk of fire, electric shock, personal injuries, and/or death, observe the following precautions.

- **Do not store, place or use** flammable or combustible materials such as charcoal, paper, plastic, pot holders, linens, curtains, gasoline or other flammable vapors or liquids near or inside the range.
- **Do not wear** loose fitting or hanging garments while using the cooktop.
- To avoid grease buildup, **regularly clean** the vents.
- **Do not let** pot holders or other flammable materials touch a heating element. Do not use a towel or other bulky items made out of cloth in place of a pot holder.
- **Do not use** water on a grease fire. To put out a grease fire, turn off the heat source and smother the fire with a tight-fitting lid or use a multipurpose dry chemical or foam-type fire extinguisher.
- **Do not heat** unopened food containers. The buildup of pressure may cause the container to burst and result in injury.
- Always check if the burners are combusting normally. Overheating may cause a fire, and incomplete combustion may cause carbon-monoxide poisoning.

Important safety information

Gas safety

WARNING

To reduce the risk of fire, electric shock, personal injuries, and/or death, observe the following precautions.

Checking for gas leaks

- Leak testing of the appliance must be conducted according to the manufacturer's instructions. **Do not use** a flame to check for gas leaks. Use a brush to spread a soapy water mixture around the area you are checking. If there is a gas leak, you will see small bubbles in the soapy water mixture at the leak point.

If you smell gas:

- **Close the valve** and do not use the cooktop.
- **Do not light** a match, candle, or cigarette.
- **Do not turn on** any gas or electric appliances.
- **Do not touch** any electrical switches or plug a power cord into an outlet.
- **Do not use** any phone in your building.
- **Evacuate** the room, building, or area of all occupants.
- **Immediately call** your gas supplier from a neighbor's phone. Follow the gas supplier's instructions.
- If you cannot reach your gas supplier, call the fire department.

Electrical and grounding safety

WARNING

To reduce the risk of fire, electric shock, personal injuries, and/or death, observe the following precautions.

- Plug the power cord into a grounded 3-prong outlet.
- **Do not remove** the grounding prong.
- **Do not use** an adapter or an extension cord.
- **Do not use** a damaged power plug, power cord, or loose power outlet.
- **Do not modify** the power plug, power cord, or power outlet in any way.
- **Do not put** a fuse in a neutral or ground circuit.
- Use a dedicated 120-volt, 60-Hz, 20-amp, AC, fused electrical circuit for this cooktop. A time-delay fuse or circuit breaker is recommended. Do not plug more than one appliance into this circuit.
- **Do not connect** the ground wire to plastic plumbing lines, gas lines, or hot water pipes.
- This cooktop **must be Earth grounded**. In the event of a malfunction or breakdown, grounding will reduce the risk of electrical shock by providing a path for the electric current. This cooktop is equipped with a cord having a grounding plug. The plug must be firmly plugged into an outlet that is properly installed and grounded in accordance with the local codes and ordinances. If you are unsure whether your electrical outlet is properly grounded, have it checked by a licensed electrician.
- The cooktop is supplied with a 3-pronged grounded plug. This cord must be plugged into a matching, grounded 3-prong outlet that meets all local codes and ordinances. If codes permit the use of a separate ground wire, we recommend that a qualified electrician determine the proper path for this ground wire.
- Electrical service to the cooktop must conform to local codes. Barring local codes, it should meet the latest ANSI/NFPA No. 70 – Latest Revision (for the U.S.) or the Canadian Electrical Code CSA C22.1 – Latest Revisions.
- It is the personal responsibility of the cooktop owner to provide the correct electrical service for this cooktop.

Installation safety

WARNING

To reduce the risk of fire, electric shock, personal injuries, and/or death, observe the following precautions.

- Have your cooktop installed and properly grounded by a **qualified installer**, in accordance with the installation instructions. Any adjustment and service should be performed only by qualified gas cooktop installers or service technicians.
- **Do not attempt** to service, modify, or replace your cooktop or any part of your cooktop unless it is specifically recommended in this manual. All other service should be referred to a qualified technician.
- Always use new flexible connectors when installing a gas appliance. **Do not use** old flexible connectors.
- **Make sure** the hold down brackets are properly installed on the cooktop. See the installation instructions for more information.
- **Remove** all tape and packaging materials.
- **Remove** all accessories from the cooktop, Grates and griddles are heavy. Use caution when handling them.
- **Make sure** no parts came loose during shipping.
- **Make sure** your cooktop is correctly installed and adjusted by a qualified service technician or installer for the type of gas (natural or LP) you will use. For your cooktop to utilize LP gas, the installer must replace the 5 surface burner orifices with the provided LP orifice set, and reverse the GPR adapter. These adjustments must be made by a qualified service technician in accordance with the manufacturer's instructions and all codes and requirements of the authority having jurisdiction. The qualified agency performing this work assumes the gas conversion responsibility.
- Installation of this cooktop must conform with local codes or, in the absence of local codes, with the National Fuel Gas Code, ANSI Z223.1/NFPA.54, latest edition. In Canada, the Natural Gas and Propane Installation Code, CSA B149.1. This cooktop has been design-certified by ETL according to ANSI Z21.1, latest edition, and Canadian Gas Association according to CAN/CGA-1.1, latest edition.

- Make sure the middle valve has adequate capacity and is not clogged.
- This cooktop must be installed by a qualified technician. Otherwise, gas leaks, fire, or defective ignition may occur.

Location safety

WARNING

To reduce the risk of fire, electric shock, personal injuries, and/or death, observe the following precautions.

- This cooktop is for indoor, household use only. **Do not install** the cooktop in areas exposed to the weather and/or water.
- **Do not install** the cooktop in a place which is exposed to a strong draft.
- Select a location where a grounded, 3- prong outlet is easily accessible.
- If the cooktop is located near a window, **do not hang** long curtains or paper blinds on that window.
- For the cooktop to ventilate properly, there must be enough clearance at the top, back and sides of the cooktop, and underneath the cooktop. The vents allow the necessary exhaust for the cooktop to operate properly with correct combustion.
- **Make sure** the wall coverings around the cooktop can withstand heat up to 194 °F (90 °C).
- Cabinet storage above the surface of the cooktop should be avoided. If cabinet storage above the cooktop is necessary: allow a minimum clearance of 30 inches (76.2 cm) between the cooking surface and the bottom of the cabinets.

Important safety information

Cooktop safety

WARNING

To reduce the risk of fire, electric shock, personal injuries, and/or death, observe the following precautions.

- Select cookware that is designed for range top cooking. Use cookware that is large enough to cover the burner grates. Adjust the burner flames so that the flames do not extend beyond the bottom of the cookware.
- **Make sure** all burners are off when not in use.
- **Do not use** aluminium foil to line the grates or any part of the cooktop.
- **Do not leave** burners unattended on medium or high heat settings.
- Before igniting, **make sure** all burner caps are properly in place and all burners are level.
- **Always use** the LITE position when igniting the burners and make sure the burners have ignited. If ignition fails, turn the knob to OFF and wait until the gas has dissipated.
- When you set a burner to simmer, **do not turn** the knob quickly. Make sure the flame stays on.
- **Do not place** any objects other than cookware on the cooktop.
- This cooktop is designed to cook with a wok or wok ring attachment. If foods are flamed, they should only be flamed under a ventilation hood that is on.
- Before removing or changing cookware, turn off the burners.
- Remove food and cookware immediately after cooking.
- Before removing any parts of the burner for cleaning, make sure the cooktop is off and completely cool.
- After cleaning the burner spreader, **make sure** it is completely dry before re-assembling.
- To avoid carbon monoxide poisoning, **do not pour** water into the cooktop well while cleaning.
- To avoid cookware discoloration, deformity, and/or carbon monoxide poisoning, **do not use** cookware that is substantially larger than the grate.
- **Make sure** cookware handles are turned to the side or rear of the cooktop and not over other surface burners.
- Stand away from the cooktop while frying.

- Always heat frying oils slowly, and watch as they heat. If you are frying foods at high heat, carefully watch during the cooking process. If a combination of fats or oils is to be used during frying, mix them together before heating.
- Use a deep-fryer thermometer whenever possible. This prevents overheating the fryer beyond the smoking point.
- Use a minimum amount of oil when shallow pan-frying or deep-frying. Avoid cooking unthawed food or food with excessive amounts of ice.
- Before moving cookware full of fats or oils, make sure it has completely cooled.
- To prevent delayed eruptive boiling, always allow heated liquids to stand at least 20 seconds after you have turned off the burner so that the temperature in the liquid can stabilize. In the event of scalding, follow these first aid instructions:
 - 1.** Immerse the scalded area in cool or lukewarm water for at least 10 minutes.
 - 2.** Do not apply any creams, oils, or lotions.
 - 3.** Cover with a clean, dry cloth.
- If a power failure occurs or the electric ignition fails to operate, do not use matches or lighters to ignite the burners. This may cause a fire or physical burns.
- Do not place and use electric-powered cooking devices such as IH rice cookers or desktop cooking heaters on top of your cooktop. Electromagnetic forces from these appliances may cause the cooktop to malfunction.

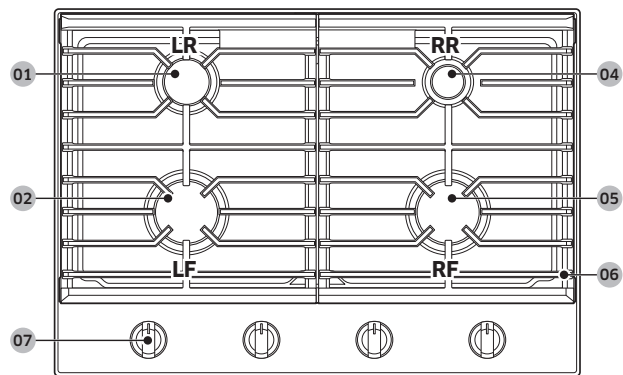
CAUTION

If the cooktop is installed above an oven, do not use the cooktop while the oven's self-cleaning function is on.

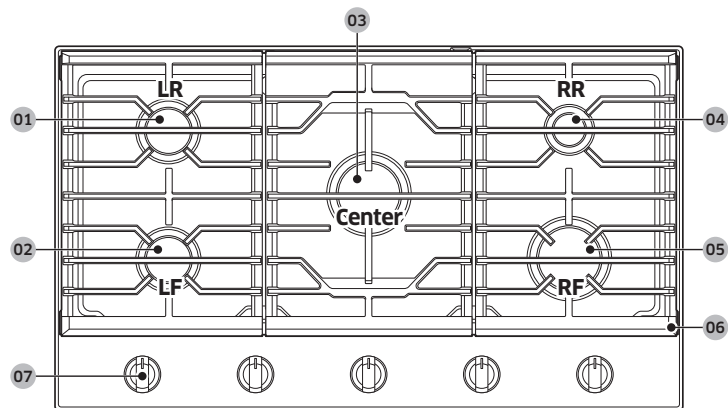
Overview

Layout

30" Model: NA30*5310F*



36" Model: NA36*5310F*



01 Left Rear
Semi rapid burners 10,000 BTU

02 Left Front
NA30*5310F* : Rapid burner 13,000 BTU
NA36*5310F* : Semi rapid burner 10,000 BTU

03 Center (NA36*5310F*)
Rapid burner 17,000 BTU

04 Right Rear
Simmer burner 5,000 BTU

05 Right Front
Rapid burner
NA30*5310F* : 17,000 BTU
NA36*5310F* : 13,000 BTU

06 Grate
NA30*5310F* : 2
NA36*5310F* : 3

07 Surface burner knobs
NA30*5310F* : 4 pcs
NA36*5310F* : 5 pcs

Each burner has a corresponding knob that lets you to set the flame level from LO to HI. In addition, each burner knob has a Lite setting. Turning a knob to Lite ignites the corresponding burner. The burner indicators are located above each knob and show which burner the knob controls. Each burner is designed for specific cooking purposes. See the table below.

30" Model : NA30*5310F*

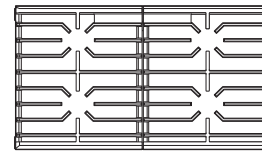
Burner	Purpose	Food type	Characteristics
Semi rapid (LR)	General heating / Low simmering	General food, casseroles	General-purpose cooking
Simmer (RR)	Low simmering	Chocolate, casseroles, sauces	Delicate food that requires low heat for a long time
Rapid (LF, RF)	Quick heating	General	General-purpose cooking

36" Model : NA36*5310F*

Burner	Purpose	Food type	Characteristics
Semi rapid (LF, LR)	General heating / Low simmering	General food, casseroles	General-purpose cooking
Simmer (RR)	Low simmering	Chocolate, casseroles, sauces	Delicate food that requires low heat for a long time
Rapid (Center, RF)	Quick heating	General	General-purpose cooking

What's included

30" Model : NA30*5310F*

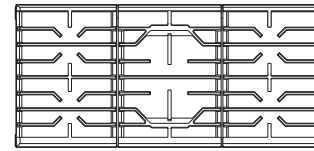


Surface burner grates (2) *



Surface burners and caps (4) *

36" Model : NA36*5310F*



Surface burner grates (3) *



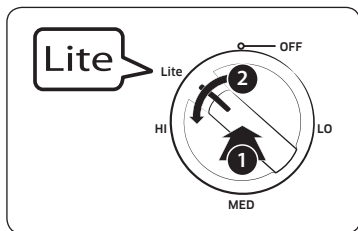
Surface burners and caps (5) *

NOTE

If you need an accessory marked with an asterisk (*), you can buy it from the Samsung Contact Center (1-800-SAMSUNG (726-7864)).

Using the cooktop burners

Ignition



Make sure all cooktop burners are properly installed. To light a burner:

1. Push in the control knob, and then turn it to the Lite position. You will hear a “clicking” sound indicating the electronic ignition system is working properly.
2. After the cooktop burner lights, turn the control knob to shift it out of the Lite position and turn off the electronic ignition system.
3. Turn the control knob to adjust the flame level.

Manual ignition

If there is a power failure, you can ignite the burner manually. Use caution when doing this.

1. Hold a long gas grill lighter to the cooktop burner you want to light.
2. Push in the control knob for that burner, and then turn it to the Lite position. Turn on the grill lighter to ignite the burner.
3. After the burner is lit, turn the control knob to adjust the flame level.

Flame level

The flames on the burners should always stay under the cookware, and should not extend beyond the cookware bottom at any time.

⚠ WARNING

- Flames larger than the cookware bottom may result in a fire or physical injury.
- When you set a burner to simmer, do not turn the burner knob quickly. Watch the flame to make sure it stays on.
- After turning on a surface burner, make sure that the burner is ignited. Adjust the level of the flame by turning the burner knob.
- Always turn off the surface burner controls before removing cookware. All surface burner controls should be turned OFF when you are not cooking.
- Always turn the burners off before you go to sleep or go out.
- If you smell gas, turn off the gas to the cooktop and call a qualified service technician. NEVER use an open flame to locate a leak.
- If you turn the knob, but the surface burner does not ignite, turn off the control knob immediately.
- Do not operate the burner for an extended period of time without cookware on the grate. The finish on the grate may chip without cookware to absorb the heat.
- Be sure the burners and grates are cool before you place your hand, a pot holder, cleaning cloths or other materials on them.

Using the cooktop burners

Cookware

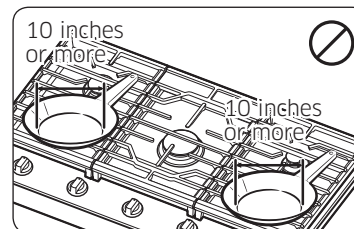
Requirements

- Flat bottom and straight sides
- Tight-fitting lid
- Well-balanced with the handle weighing less than the main portion of the pot or pan.

Material characteristics

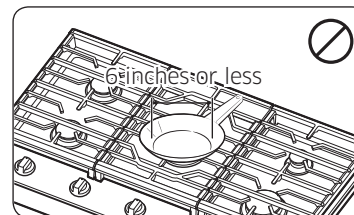
- **Aluminum:** An excellent heat conductor. Some types of food may cause the aluminum to darken. However, anodized aluminum cookware resists staining and pitting.
- **Copper:** An excellent heat conductor but discolors easily.
- **Stainless steel:** A slow heat conductor with uneven cooking performance but is durable, easy to clean, and resists staining.
- **Cast-Iron:** A poor conductor but retains heat very well.
- **Enamelware:** Heating characteristics depend on the base material.
- **Glass:** A slow heat conductor. Use only glass cookware that is specified for cooktop cooking or oven use.
- **Heatproof Glass-Ceramic:** Can be used for either surface or oven cooking. It conducts heat very slowly and cools very slowly. Check cookware manufacturer's directions to be sure it can be used on a gas cooktop.

Size limitations



⚠ CAUTION

- Do not place a pan or pot with a bottom diameter of about 10 inches or more on the RF or LF burner.



⚠ CAUTION

- Do not place a pan or pot with a bottom diameter of about 6 inches or less on the center grate. This cookware may tip over. Use the rear burners for this small-sized cookware.

- Always make sure cookware handles are turned to the side or rear of the cooktop and not over other surface burners. This will minimize the chance of burns, spillovers, and the ignition of flammable materials that can occur if pots or pans are bumped accidentally.
- If using glass cookware, make sure it is designed for cooktop cooking.
- Never leave plastic items on the cooktop. They can melt or ignite. Heating a sealed plastic container can cause a building up of dangerous pressure which can cause the container to explode.
- Make sure you hold the handle of a wok or a small one-handed pot while cooking.

Install the grates

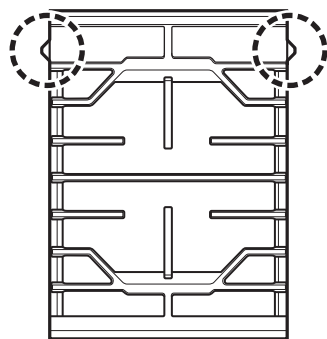
NOTE

Install the grates as instructed below for longest life. When installed properly, the openings in the grates are centered over the burners.

The three cooktop grates are designed to fit in specific positions on the cooktop. For maximum stability, these grates should only be used in their proper positions.

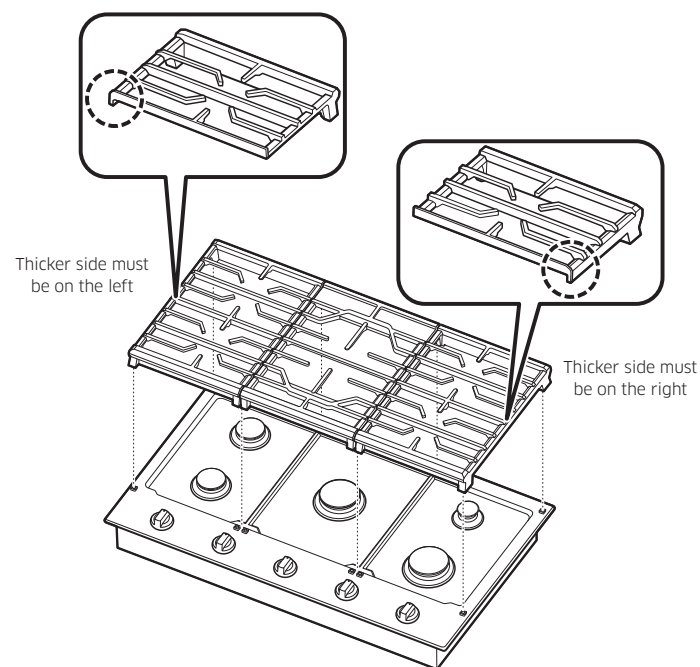
- Place the left and right grates so that the thicker side of the right grate lines up with the right side of the cooktop and the thicker side of the left grate lines up with the left side of the cooktop.
- The center grate must be installed with the filled-in section, marked with the word 'BACK', towards the back of the cooktop.

The center grate has two overhangs to help you locate the side grates correctly. The overhangs will snag the side grates if you install the side grates in the wrong direction or on the wrong side. See the illustration below.



To replace the grates correctly, follow these steps:

1. Orient the center grate as noted in the directions on the left.
2. Gently lower the legs of the center grate so that the legs rest in the center grate dimples on the cooktop.
3. Orient the left and right grates so that the thicker side the right grate lines up with the right side of the cooktop and the thicker side of the left grate lines up with the left side of the cooktop.
4. Gently lower the legs of the right grate into the corresponding dimples on the cooktop. Repeat with the left grate. When installed correctly, neither grate will make contact with the overhangs on the center grate.



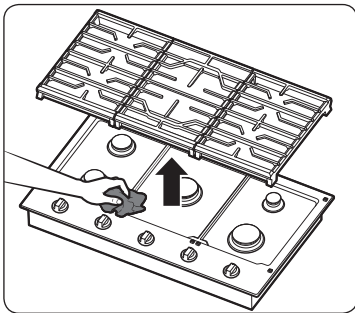
Care and cleaning of the cooktop

⚠ WARNING

Be sure unplug the power cord and all surfaces are cool before cleaning any part of the cooktop. If the power cord is inaccessible, turn off power to the cooktop at the breaker or fuse box.

Cooktop surface

We recommend that you remove food spills immediately after they take place.



1. Turn off all surface burners.
2. Wait until all burner grates cool down, and then remove them.
3. Clean the cooktop surface using a soft cloth. If food spills run into gaps of the burner components, remove the burner cap and the head, and wipe up the spills.
4. When you are done cleaning, reinsert the burner components, and then put the burner grates back into position.

Porcelain enamel surfaces (on some models)

The porcelain enamel finish is sturdy but breakable if misused. This finish is acid-resistant. However, any acidic foods with high sugar content (such as fruit, juices, tomatoes, or vinegar) should not be permitted to remain on the finish.

If an acidic food spills on the cooktop while it is hot, turn off all burners, and then use a dry paper towel or cloth to wipe the spill up right away. When the surface has cooled, wash it with an all-purpose cleaner and water. Rinse well. For other spills, such as fat splatterings, wash the cooktop with soap and water or an all-purpose cleaner after the surface has cooled. Rinse well. Polish with a dry cloth.

Stainless steel surfaces (on some models)

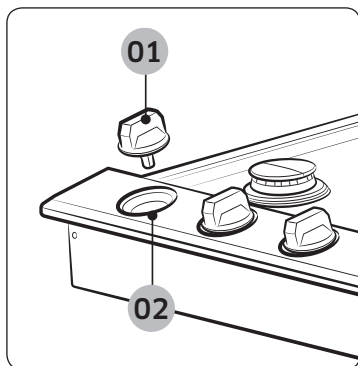
1. Remove any spills, spots, and grease stains using a soft, wet cloth.
2. Apply an approved stainless steel cleanser to a cloth or paper towel.
3. Clean one small area at a time, rubbing with the grain of the stainless steel if applicable.
4. When done, dry the surface using a soft, dry cloth.
5. Repeat steps 2 through 4 as many times as necessary.

⚠ CAUTION

- Do not use a steel-wool pad or abrasive cleaner, which can scratch or damage the surface.
- Do not remove the cooktop surface to clean it. The gas lines leading to the burner manifolds can be damaged, resulting in a fire or system failure.
- Do not pour water into the cooktop well while cleaning the cooktop. This could leak down into the cooktop gas and electrical systems creating a risk of electrical shock or high levels of Carbon Monoxide due to corrosion of the gas valves or ports.
- Do not spray any type of cleanser into the manifold holes. The ignition system is located in those holes and must be kept free of moisture.
- Do not clean the cooktop or stainless steel parts with:
 - Caustic lye (sodium hydroxide) or cleaners containing this chemical
 - Hard or steel wool pads
 - Abrasive materials or chemicals.

Control knobs

Make sure all surface burner knobs are in the **OFF** position.



- 01** Grasp each knob and pull straight up to remove.
- 02** Spill protector. Do not remove.

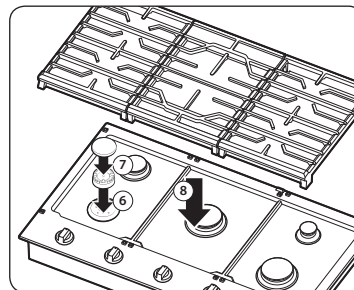
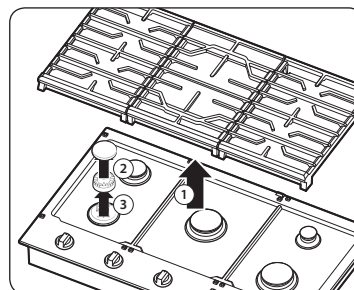
- 1.** Pull the knobs off the control valve stems.
- 2.** Clean the knobs in warm, soapy water. Then rinse and dry them thoroughly.
- 3.** Clean the stainless steel surfaces using stainless steel cleaner.
- 4.** Re-attach the knobs in the **OFF** position to the control valve stems.

⚠ CAUTION

- Do not clean the control knobs in a dish washer.
- Do not spray cleansers directly onto the control panel. Moisture entering the electric circuits may cause electric shock or product damage.

Burner grates and components

Turn off all surface burners and make sure they have all cooled down.



- 1.** Remove the burner grates.
- 2.** Remove the burner caps from the burner heads.
- 3.** Remove the burner heads from the valve manifolds to reveal the starter electrodes.
- 4.** Clean all removable grates and burner components in warm, soapy water. Do not use steel-wool pads or abrasive cleaners.
- 5.** Rinse and dry grates and burner components thoroughly.
- 6.** Return the burner heads to their positions on top of the manifold valves. Make sure a starter electrode is inserted through the hole in each burner head.

📖 NOTE

- See pages 18, 19, and 20 for detailed burner component re-assembly instructions.
- 7.** Return the burner caps to their positions on top of the burner heads. To ensure proper and safe operation, make sure the burner caps lie flat on top of the burner heads.
 - 8.** Re-install the burner grates in their respective positions.
 - 9.** Turn on each burner and check if it operates properly. After verifying that a burner operates normally, turn it off.

Care and cleaning of the cooktop

Burner caps and heads

NOTES

Before removing the burner caps and heads, remember their size and location. Replace them in the same location after cleaning.

Wash burner caps and burner heads in hot, soapy water and rinse with clean running water. You may scour with a plastic scouring pad to remove burned-on food particles.

Use a sewing needle or twist tie to unclog the small holes in the burner head, if required.

CAUTION

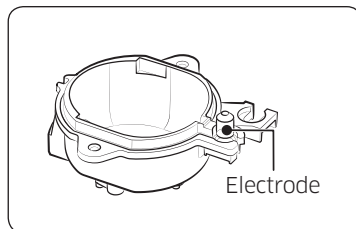
- Do not wash any burner parts in a dishwasher.
- Do not use steel wool or scouring powders to clean the burners.

Burner bases

CAUTION

The burner bases cannot be removed for cleaning.

Round burner base

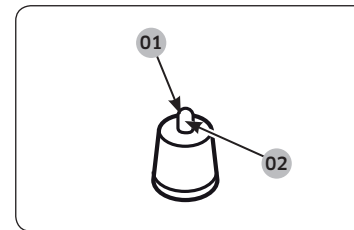


Make sure that no water gets into the burner bases and the brass gas orifices. Wipe clean with a damp cloth. Be careful not to scratch, deform, or damage the bases. Allow them to dry fully before using.

Electrodes

CAUTION

Do not attempt to remove the electrode from the cooktop or burner bases.



- 01** Clean this metal part
- 02** Do not clean this white ceramic part with an emery board

Be careful not to push in any cooktop controls while cleaning the cooktop. A slight electrical shock might result which could cause you to knock over hot cookware. Make sure that the white ceramic electrodes in the cooktop are clear of soil and dry. Clean the metal part of the electrode with a soft cloth. Do not use water to clean the igniters.

Before reassembling the surface burners, push down gently on each of the white ceramic electrodes to make sure they are pressed against the burner bases.

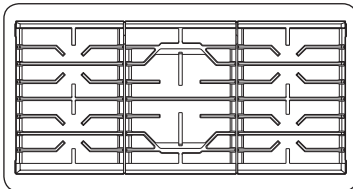
NOTE

Do not attempt to remove the electrode from the cooktop.

Grates

CAUTION

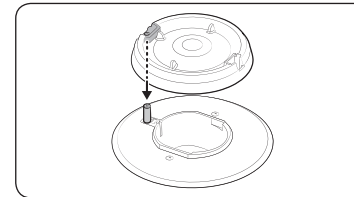
Do not clean the grates in a dishwasher. They will be damaged.



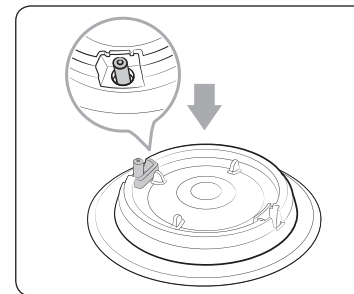
Lift grates out when cool. Grates should be washed regularly and after spillovers. Wash them in hot, soapy water and rinse with clean water. When replacing the grates, be sure they are positioned securely over the burners.

Burner head and cap replacement

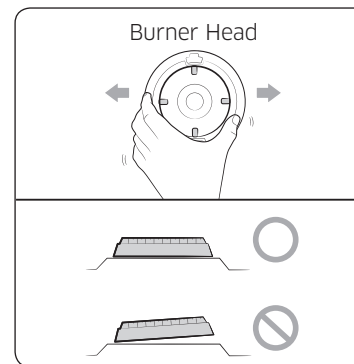
Round Burner head



1. Orient the burner head so that the opening for the electrode lines up with the electrode.



2. Install the burner head so that the electrode passes through the opening for the electrode. Make sure the burner head lies flat on the stove top.

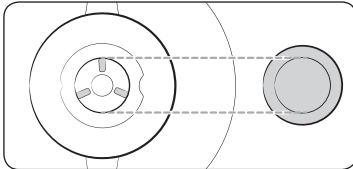


CAUTION

Make sure all burner components (heads and caps) are reinstalled properly. They will be stable and rest flat when correctly installed.

Care and cleaning of the cooktop

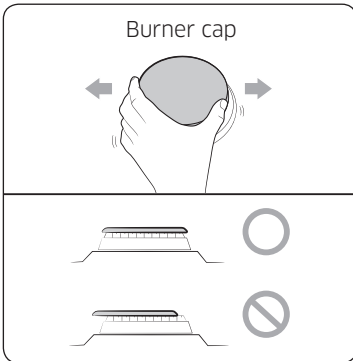
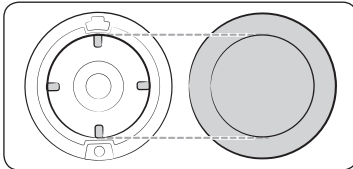
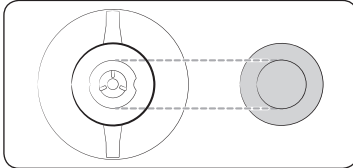
Burner cap



1. Match the burner caps to the burners by size, and then re-install the caps on the burner heads.

CAUTION

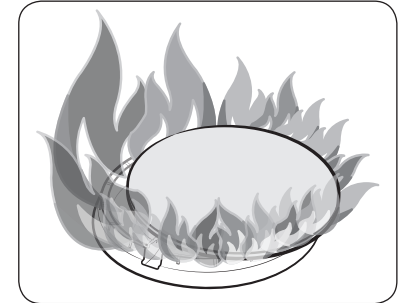
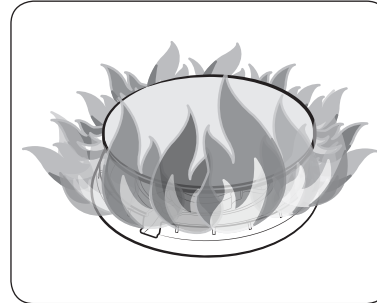
Make sure each cap is re-installed on the correct burner head, is centered on the burner head, and lies flat.



CAUTION

Make sure all burner components (heads and caps) are reinstalled properly. They will be stable and rest flat when correctly installed.

NOTE



After you have re-installed the surface burners, ignite each one to ensure each one is working correctly.

Incorrect placement of a burner head or cap will result in poor ignition or uneven flames (as shown in the pictures).

Troubleshooting

If you encounter a problem with the cooktop, check the tables starting below, and then try the suggested actions.

Checkpoints

Gas safety

Problem	Possible cause	Action
You smell gas.	The surface burner knob is not in the OFF position and the burner is not lit.	Turn the burner knob to OFF .
	There is a gas leak.	Clear the room, building, or area of all occupants. Immediately call your gas supplier from a neighbor's phone. Do not call from your phone. It is electrical and could cause a spark that could ignite the gas. Follow the gas supplier's instructions. If you cannot reach your gas supplier, call the fire department.

Surface burner

Problem	Cause	Action
All burners do not light.	The power cord is not plugged into the electrical outlet.	Make sure the electrical plug is plugged into a live, properly grounded outlet.
	A fuse in your home may be blown or the circuit breaker may have tripped.	Replace the fuse or reset the circuit breaker.
	The gas supply is not properly connected or turned on.	See the Installation Instructions that came with your cooktop.

Problem	Cause	Action
Surface burners do not light.	The control knob is not set properly.	Push in the control knob and turn it to the Lite position.
	The burner caps are not in place. The burner base is misaligned.	Clean the electrodes. Put the burner cap on the burner head. Align the burner base.
A surface burner clicks during operation.	The control knob has been left in the Lite position.	After the burner lights, turn the control knob to a desired setting. If the burner still clicks, contact a service technician.
The burners do not burn evenly.	Surface burner components and caps are not assembled correctly and level.	See pages 19, and 20.
	The surface burners are dirty.	Clean the surface burner components. (See pages 16, and 17.)
Very large or yellow surface burner flames.	The wrong burner orifice is installed.	Check the burner orifice size. Contact your installer if you have the wrong orifice (LP gas instead of natural gas or natural gas instead of LP gas).

Warranty (U.S.A)

PLEASE DO NOT DISCARD.

SAMSUNG GAS Cooktop

LIMITED WARRANTY TO ORIGINAL PURCHASER WITH PROOF OF PURCHASE

This SAMSUNG brand product, as supplied and distributed by SAMSUNG ELECTRONICS AMERICA INC. (SAMSUNG) and delivered new, in the original carton to the original consumer purchaser, is warranted by SAMSUNG against manufacturing defects in materials or workmanship for the limited warranty period, starting from the date of original purchase, of:

One (1) Year Parts and Labor

This limited warranty is valid only on products purchased and used in the United States that have been installed, operated, and maintained according to the instructions attached to or furnished with the product. To receive warranty service, the purchaser must contact SAMSUNG at the address or phone number provided below for problem determination and service procedures. Warranty service can only be performed by a SAMSUNG authorized service center. The original dated bill of sale must be presented upon request as proof of purchase to SAMSUNG or SAMSUNG's authorized service center to receive warranty service.

SAMSUNG will provide in-home service within the contiguous United States during the warranty period at no charge, subject to availability of SAMSUNG authorized servicers within the customer's geographic area. If in-home service is not available, SAMSUNG may elect, at its option, to provide transportation of the product to and from an authorized service center. If the product is located in an area where service by a SAMSUNG authorized servicer is not available, you may be responsible for a trip charge or required to bring the product to a SAMSUNG authorized service center for service.

To receive in-home service, product must be unobstructed and accessible to the service agent.

During the applicable warranty period, a product will be repaired, replaced, or the purchase price refunded, at the sole option of SAMSUNG. SAMSUNG may use new or reconditioned parts in repairing a product, or replace the product with a new or reconditioned product. Replacement parts and products are warranted for the remaining portion of the original product's warranty or ninety (90) days, whichever is longer. All replaced parts and products are the property of SAMSUNG and you must return them to SAMSUNG.

This limited warranty covers manufacturing defects in materials or workmanship encountered in normal household, noncommercial use of this product and shall not cover the following: damage that occurs in shipment, delivery, installation, and uses for which this product was not intended; damage caused by unauthorized modification or alteration of the product; product where the original factory serial numbers have been removed, defaced, changed in any way, or cannot be readily determined; cosmetic damage including scratches, dents, chips, and other damage to the product's finishes; damage caused by abuse, misuse, pest infestations, accident, fire, floods, or other acts of nature or God; damage caused by use of equipment, utilities, services, parts, supplies, accessories, applications, installations, repairs, external wiring or connectors not supplied or authorized by SAMSUNG; damage caused by incorrect electrical line current, voltage, fluctuations and surges; damage caused by failure to operate and maintain the product according to instructions; in-home instruction on how to use your product; and service to correct installation not in accordance with electrical or plumbing codes or correction of household electrical or plumbing (i.e., house wiring, fuses, or water inlet hoses). In addition, damage to the glass cooktop caused by (i) use of cleaners other than the recommended cleaners and pads or (ii) hardened spills of sugary materials or melted plastic that are not cleaned according to the directions in the use and care guide are not covered by this limited warranty.

The cost of repair or replacement under these excluded circumstances shall be the customer's responsibility.

Visits by an authorized servicer to explain product functions, maintenance or installation are not covered by this limited warranty. Please contact SAMSUNG at the number below for assistance with any of these issues.

EXCLUSION OF IMPLIED WARRANTIES

IMPLIED WARRANTIES, INCLUDING THE IMPLIED WARRANTIES OF MERCHANTABILITY OR FITNESS FOR A PARTICULAR PURPOSE, ARE LIMITED TO ONE YEAR OR THE SHORTEST PERIOD ALLOWED BY LAW. Some states do not allow limitations on how long an implied warranty lasts, so the above limitations or exclusions may not apply to you. This warranty gives you specific rights, and you may also have other rights, which vary from state to state.

LIMITATION OF REMEDIES

YOUR SOLE AND EXCLUSIVE REMEDY IS PRODUCT REPAIR, PRODUCT REPLACEMENT, OR REFUND OF THE PURCHASE PRICE AT SAMSUNG'S OPTION, AS PROVIDED IN THIS LIMITED WARRANTY. SAMSUNG SHALL NOT BE LIABLE FOR SPECIAL, INCIDENTAL OR CONSEQUENTIAL DAMAGES, INCLUDING BUT NOT LIMITED TO TIME WAY FROM WORK, HOTELS AND/OR RESTAURANT MEALS, REMODELING EXPENSES, LOSS OF REVENUE OR PROFITS, FAILURE TO REALIZE SAVINGS OR OTHER BENEFITS REGARDLESS OF THE LEGAL THEORY ON WHICH THE CLAIM IS BASED, AND EVEN IF SAMSUNG HAS BEEN ADVISED OF THE POSSIBILITY OF SUCH DAMAGES. Some states do not allow exclusion or limitation of incidental or consequential damages, so the above limitations or exclusions may not apply to you. This warranty gives you specific rights, and you may also have other rights, which vary from state to state.

SAMSUNG does not warrant uninterrupted or error-free operation of the product. No warranty or guarantee given by any other person, firm, or corporation with respect to this product shall be binding on SAMSUNG.

To obtain warranty service, please contact SAMSUNG at:

Samsung Electronics America, Inc.
85 Challenger Road
Ridgefield Park, NJ 07660
1-800-SAMSUNG (726-7864) and www.samsung.com/us/support

Registration

Please register your product online at www.samsung.com/register.

Questions

For questions about features, operation/performance, parts, accessories, or service, call 1-800-SAMSUNG (726-7864), or visit our Web site at www.samsung.com/us/support.

Model name & serial number

Both the model name and the serial number are marked right side of the cooktop base. For later use, write down the information onto the current page.

Model Name _____

Serial Number _____

Warranty (CANADA)

PLEASE DO NOT DISCARD.

SAMSUNG GAS Cooktop

LIMITED WARRANTY TO ORIGINAL PURCHASER

This SAMSUNG brand product, as supplied and distributed by SAMSUNG ELECTRONICS CANADA INC. (SAMSUNG) and delivered new, in the original carton to the original consumer purchaser, is warranted by SAMSUNG against manufacturing defects in materials and workmanship for a limited warranty period of:

One (1) Year Parts and Labor

This limited warranty begins on the original date of purchase, and is valid only on products purchased and used in the Canada. To receive warranty service, the purchaser must contact SAMSUNG for problem determination and service procedures. Warranty service can only be performed by a SAMSUNG-authorized service center, and any unauthorized service will void this warranty. The original dated bill of sale must be presented upon request as proof of purchase to SAMSUNG or SAMSUNG's authorized service center. Samsung will provide in-home service during the one (1) year warranty period at no charge subject to availability within the contiguous Canada. In-home service is not available in all areas. To receive in-home service, product must be unobstructed and accessible to the service agent. If service is not available, Samsung may elect to provide transportation of the product to and from an authorized service center.

SAMSUNG will repair or replace this product, at our option and at no charge as stipulated herein, with new or reconditioned parts or products if found to be defective during the limited warranty period specified above. All replaced parts and products become the property of SAMSUNG and must be returned to SAMSUNG. Replacement parts and products assume the remaining original warranty, or ninety (90) days, whichever is longer.

This limited warranty shall not cover cases of incorrect electric current, voltage or supply, light bulbs, house fuses, house wiring, cost of a service call for instructions, or fixing installation errors. Furthermore, damage to the cooktop caused by the use of cleaners other than the recommended cleaners and pads and damage to the cooktop caused by hardened spills of sugary materials or melted plastic that are not cleaned according to the directions in the use and care guide are not covered. SAMSUNG does not warrant uninterrupted or error-free operation of the product.

EXCEPT AS SET FORTH HEREIN, THERE ARE NO WARRANTIES OR CONDITIONS ON THIS PRODUCT EITHER EXPRESS OR IMPLIED AND SAMSUNG DISCLAIMS ALL WARRANTIES AND CONDITIONS INCLUDING, BUT NOT LIMITED TO, ANY IMPLIED WARRANTIES AND CONDITIONS OF MERCHANTABILITY, INFRINGEMENT, OR FITNESS FOR A PARTICULAR PURPOSE. NO WARRANTY OR GUARANTEE GIVEN BY ANY PERSON, FIRM, OR CORPORATION WITH RESPECT TO THIS PRODUCT SHALL BE BINDING ON SAMSUNG. SAMSUNG SHALL NOT BE LIABLE FOR LOSS OF REVENUE OR PROFITS, FAILURE TO REALIZE SAVINGS OR OTHER BENEFITS, OR ANY OTHER GENERAL, INDIRECT, SPECIAL, INCIDENTAL, OR CONSEQUENTIAL DAMAGES CAUSED BY THE USE, MISUSE, OR INABILITY TO USE THIS PRODUCT, REGARDLESS OF THE LEGAL THEORY ON WHICH THE CLAIM IS BASED, AND EVEN IF SAMSUNG HAS BEEN ADVISED OF THE POSSIBILITY OF SUCH DAMAGES. NOR SHALL RECOVERY OF ANY KIND AGAINST SAMSUNG BE GREATER IN AMOUNT THAN THE PURCHASE PRICE OF THE PRODUCT SOLD BY SAMSUNG AND CAUSING THE ALLEGED DAMAGE. WITHOUT LIMITING THE FOREGOING, PURCHASER ASSUMES ALL RISK AND LIABILITY FOR LOSS, DAMAGE, OR INJURY TO PURCHASER AND PURCHASER'S PROPERTY AND TO OTHERS AND THEIR PROPERTY ARISING OUT OF THE USE, MISUSE, OR INABILITY TO USE THIS PRODUCT. THIS LIMITED WARRANTY SHALL NOT EXTEND TO ANYONE OTHER THAN THE ORIGINAL PURCHASER OF THIS PRODUCT, IS NONTRANSFERABLE, AND STATES YOUR EXCLUSIVE REMEDY.

Some states or provinces do not allow limitations on how long an implied warranty lasts, or the exclusion or limitation of incidental or consequential damages, so the above limitations or exclusions may not apply to you.

This warranty gives you specific legal rights, and you may also have other rights which vary from state to state or province to province.

To obtain warranty service, please contact SAMSUNG at:

Samsung Electronics Canada Inc.
2050 Derry Road West, Mississauga, Ontario L5N 0B9 Canada
1-800-SAMSUNG (726-7864) and www.samsung.com/ca/support (English)
www.samsung.com/ca_fr/support (French)

Registration

Please register your product online at www.samsung.com/register.

Questions

For questions about features, operation/performance, parts, accessories, or service, call 1-800-SAMSUNG (726-7864), or visit our Web site at www.samsung.com/ca/support (English), or www.samsung.com/ca_fr/support (French).

Model name & serial number

Both the model name and the serial number are marked right side of the cooktop base. For later use, write down the information onto the current page.

Model Name _____

Serial Number _____

Memo

Memo



Scan the QR code* or visit www.samsung.com/spsn to view our helpful How-to Videos and Live Shows
*Requires reader to be installed on your smartphone

Scan this with your smartphone

Please be advised that the Samsung warranty does NOT cover service calls to explain product operation, correct improper installation, or perform normal cleaning or maintenance.

QUESTIONS OR COMMENTS?

COUNTRY	CALL	OR VISIT US ONLINE AT
U.S.A Consumer Electronics	1-800-SAMSUNG (726-7864)	www.samsung.com/us/support
CANADA	1-800-SAMSUNG(726-7864)	www.samsung.com/ca/support (English) www.samsung.com/ca_fr/support (French)



DG68-01132A-01

Cubierta de cocción a gas

Manual del usuario

NA30*5310F* / NA36*5310F*



SAMSUNG

ADVERTENCIA: Si no se sigue la información de este manual con exactitud, podrían producirse incendios o explosiones que causen daños a la propiedad, lesiones personales o la muerte.

- **NO** debe almacenarse ni utilizarse gasolina u otros líquidos y vapores inflamables cerca de este u otros electrodomésticos.
- **QUÉ HACER SI HAY OLOR A GAS:**
 - **NO** intente encender ningún electrodoméstico.
 - **NO** toque ningún interruptor eléctrico.
 - **NO** utilice ningún teléfono dentro del edificio.
 - Llame inmediatamente al proveedor de gas desde el teléfono de un vecino. Siga las instrucciones del proveedor de gas.
 - Si no puede comunicarse con el proveedor de gas, llame al departamento de bomberos.
- La instalación y el servicio técnico deben ser realizados por un instalador calificado, agencias de servicio técnico o el proveedor de gas.

Aviso sobre regulaciones

1. Aviso de la FCC

PRECAUCIÓN

PRECAUCIÓN DE LA FCC: Todos los cambios y las modificaciones que no cuenten con la aprobación expresa de la parte responsable del cumplimiento invalidará la autoridad del usuario para operar el equipo.

Este dispositivo cumple con la sección 15 de las normas de la FCC. El funcionamiento se encuentra sujeto a las siguientes dos condiciones:

- 1)** Este dispositivo no puede causar interferencia dañina, y
- 2)** Este dispositivo debe aceptar la recepción de cualquier interferencia, incluidas aquellas que puedan causar un funcionamiento indeseado.

Para los productos vendidos en los mercados de Estados Unidos/ Canadá, solo están disponibles los canales 1~11. No se pueden seleccionar otros canales.

DECLARACIÓN DE LA FCC:

Este equipo ha sido sometido a pruebas y se ha determinado que cumple con los límites para un dispositivo digital clase B, de acuerdo con la sección 15 de las normas de la FCC. Estos límites están diseñados para ofrecer una protección razonable contra las interferencias perjudiciales en una instalación residencial.

Este equipo genera, utiliza y puede irradiar energía de radiofrecuencia y, si no se lo instala y utiliza de acuerdo con las instrucciones, puede provocar interferencia perjudicial a las comunicaciones de radio. Sin embargo, no se garantiza que no habrá interferencia en alguna instalación determinada. Si este equipo causa interferencia perjudicial con la recepción de radio o televisión, lo cual puede determinarse apagando y encendiendo el equipo, se recomienda que el usuario intente corregir la interferencia a través de una de las siguientes maneras:

- Reorientar o reubicar la antena receptora.
- Aumentar la separación entre el equipo y el receptor.
- Conectar el equipo a una toma de un circuito distinto de aquel al que está conectada la radio o el televisor.
- Consultar al distribuidor o a un técnico de radio/TV experimentado para obtener ayuda.

DECLARACIÓN DE LA FCC SOBRE LA EXPOSICIÓN A LA RADIACIÓN:

Este equipo cumple con los límites de exposición a la radiación establecidos por la FCC para un entorno no controlado. Este equipo debe ser instalado y operado a una distancia mínima de 8 pulgadas (20 cm) entre su cuerpo y el radiador. Este dispositivo y su antena no deben ubicarse cerca ni utilizarse junto con ninguna otra antena o transmisor.

2. Aviso de IC

El término "IC" antes del número de certificación de radio indica que se cumplieron las especificaciones técnicas de Industry Canada. El funcionamiento se encuentra sujeto a las siguientes dos condiciones: (1) este dispositivo no puede causar interferencias, y (2) este dispositivo debe aceptar cualquier interferencia, incluidas aquellas que puedan provocar un funcionamiento no deseado. Este aparato digital Clase B cumple con la norma ICES-003 de Canadá.

Para los productos vendidos en los mercados de Estados Unidos/ Canadá, solo están disponibles los canales 1~11. No se pueden seleccionar otros canales.

Aviso sobre regulaciones

DECLARACIÓN DE IC SOBRE LA EXPOSICIÓN A LA RADIACIÓN:

Este equipo cumple con los límites de exposición a la radiación IC RSS-102 establecidos para un entorno no controlado. Este equipo debe ser instalado y operado a una distancia mínima de 8 pulgadas (20 cm) entre su cuerpo y el radiador. Este dispositivo y su antena no deben ubicarse cerca ni utilizarse junto con ninguna otra antena o transmisor.

Instrucciones de seguridad generales

Esta unidad ha sido sometida a pruebas y se ha determinado que cumple con los límites para un dispositivo digital clase B, de acuerdo con la sección 18 de las normas de la FCC. Estos límites están diseñados para ofrecer una protección razonable contra las interferencias perjudiciales en una instalación residencial. Esta unidad genera, utiliza y puede irradiar energía de radiofrecuencia y, si no se instala y utiliza de acuerdo con las instrucciones, puede provocar interferencias perjudiciales en las comunicaciones de radio.

Sin embargo, no se garantiza que no habrá interferencia en alguna instalación determinada. Si esta unidad causa interferencias perjudiciales en la recepción de radio o televisión, lo cual puede determinarse apagando y encendiendo la unidad, se recomienda que el usuario intente corregir la interferencia a través de una o más de las siguientes maneras:

- Reorientar o reubicar la antena receptora.
- Aumentar la distancia entre la unidad y el receptor.
- Conectar el equipo a una toma de un circuito distinto de aquel al que está conectada la radio o el televisor.

Contenido

Información importante de seguridad	6
<hr/>	
Descripción general	11
Esquema	11
Elementos incluidos	12
<hr/>	
Uso de los quemadores de la cubierta	13
Ignición	13
Utensilio de cocina	14
Instalación de las rejillas	15
<hr/>	
Cuidado y limpieza de la cubierta	16
Superficie de la cubierta	16
Superficies de porcelana esmaltada (en algunos modelos)	16
Superficies de acero inoxidable (en algunos modelos)	16
Perillas de control	17
Rejillas y componentes de los quemadores	17
Tapas y cabezales de los quemadores	18
Bases de los quemadores	18
Electrodos	18
Rejillas	19
Reemplazo del cabezal y la tapa de los quemadores	19
Tapa de los quemadores	20

Resolución de problemas	21
Puntos de verificación	21
<hr/>	
Garantía limitada (Estados Unidos)	22
<hr/>	
Garantía (CANADÁ)	24

Información importante de seguridad

Lea todas las instrucciones antes de usar este electrodoméstico

- Todos los equipos eléctricos y de gas con piezas móviles pueden ser peligrosos. Lea las instrucciones de seguridad importantes para este electrodoméstico que se incluyen en este manual. Se deben seguir las instrucciones a fin de minimizar el riesgo de lesión, muerte o daño a la propiedad.
- Guarde este manual. No lo deseche.

Símbolos usados en este manual

ADVERTENCIA

Prácticas peligrosas o inseguras que pueden provocar lesiones personales graves o la muerte.

PRECAUCIÓN

Prácticas peligrosas o inseguras que pueden provocar descargas eléctricas, lesiones personales o daños a la propiedad.

NOTA

Instrucciones y sugerencias útiles

Estos iconos y símbolos de advertencia se incluyen para evitar que usted u otras personas sufran lesiones. Sígalas explícitamente. Una vez que haya leído esta sección, consérvela en un lugar seguro para consultas futuras.

California Proposición 65 Advertencia

ADVERTENCIA

Cáncer y Daño Reproductivo - www.P65Warnings.ca.gov

Mancomunidad de Massachusetts

- Este producto debe ser instalado por un plomero con licencia o un gasista matriculado o con licencia del Estado de Massachusetts. Cuando se utilicen válvulas de bola para el cierre del gas, se debe usar una manija en forma de "T". No deben conectarse varios conductos flexibles de gas en serie.

Seguridad general

ADVERTENCIA

Para reducir el riesgo de incendio, descarga eléctrica, lesiones personales y/o muerte, respete las siguientes precauciones.

- **No toque** ninguna parte de la cubierta de cocción, incluyendo, entre otros, los quemadores durante la cocción o inmediatamente después de cocinar.
- **Debe conocer** la ubicación de la válvula de cierre del gas y cómo cerrarla si es necesario.
- **Asegúrese** de que los soportes de sujeción a presión estén instalados correctamente en la cubierta. Consulte las instrucciones de instalación para obtener más información.
- **No permita que los niños se acerquen** a la cubierta de cocción. No permita que los niños se suban a la cubierta. No permita que los niños jueguen con la cubierta ni con ninguna parte de la misma. Los niños no deben quedar sin vigilancia en el lugar donde se utiliza la cubierta.
- **Quite** todos los materiales de empaque de la cubierta de cocción antes de utilizarla para evitar que se prendan fuego. Mantenga todos los materiales de empaque fuera del alcance de los niños. Deseche adecuadamente los materiales de empaque luego de desembalar la cubierta.
- **No guarde** ningún objeto que resulte de interés para los niños sobre la cubierta o el protector posterior. Si los niños se trepan a la cubierta para alcanzar un objeto podrían morir o resultar seriamente lesionados.
- **No opere** la cubierta de cocción si esta o alguna de sus partes se encuentra dañada, no funciona correctamente o si falta alguna pieza.
- **No utilice** la cubierta de cocción como calefactor del ambiente. Utilice la cubierta solamente para cocinar.
- **Utilice** únicamente agarradores aislantes secos.
- **No utilice** la cubierta de cocción para calentar envases de alimentos que no hayan sido abiertos.
- **Desenchufe** o **desconecte** el cable de alimentación antes de realizar tareas de mantenimiento o reparación.
- Nunca almacene materiales combustibles (paños de cocina, productos de papel, etc.) o alimentos envasados o enlatados bajo la cubierta de manera tal que pudieran entrar en contacto con la parte inferior de la cubierta. El material combustible podría incendiarse y los alimentos envasados o enlatados podrían explotar.
- Asegúrese de que el conducto de gas no quede comprimido ni doblado bajo objetos pesados. De lo contrario, pueden producirse fugas de gas o una combustión incompleta.

- No se apoye sobre la cubierta. Podría girar accidentalmente las perillas de control .
- No se pare sobre el electrodoméstico ni coloque sobre él objetos (como ropa sucia, fundas para hornos, velas encendidas, cigarrillos encendidos, platos, productos químicos, objetos metálicos, etc.).
 - Se pueden producir descargas eléctricas, incendios, problemas con el producto o lesiones personales.

Seguridad contra incendios

ADVERTENCIA

Para reducir el riesgo de incendio, descarga eléctrica, lesiones personales y/o muerte, respete las siguientes precauciones.

- **No guarde, coloque ni use** materiales inflamables o combustibles como carbón, papel, plástico, agarradores aislantes, ropa de cama, cortinas, gasolina u otros vapores o líquidos inflamables cerca o en el interior de la estufa.
- **No lleve** prendas amplias o colgantes mientras utiliza la cubierta.
- Para evitar la acumulación de grasa, **limpie regularmente** las ventilaciones.
- **No permita** que agarradores aislantes u otros materiales inflamables entren en contacto con el elemento calentador. No utilice una toalla u otros objetos voluminosos hechos de tela como agarrador aislante.
- **No use** agua para apagar un fuego provocado por la grasa. Para extinguir el fuego de la materia grasa, apague la fuente de calor y sofoque el fuego con una tapa que ajuste bien o utilice un extinguidor de incendios de polvo químico seco o de espuma para usos diversos.
- **No caliente** envases de alimentos que no hayan sido abiertos. La acumulación de presión puede hacer que el recipiente explote y cause lesiones.
- Siempre revise si los quemadores realizan una combustión normal. El sobrecalentamiento puede provocar un incendio, y la combustión incompleta puede causar envenenamiento por monóxido de carbono.

Información importante de seguridad

Seguridad del gas

ADVERTENCIA

Para reducir el riesgo de incendio, descarga eléctrica, lesiones personales y/o muerte, respete las siguientes precauciones.

Comprobación de fugas de gas

- La prueba de fugas del artefacto debe ser realizada de acuerdo con las instrucciones del fabricante. **No utilice** una llama para verificar si hay fugas de gas. Utilice un cepillo para esparcir una mezcla de agua jabonosa alrededor del área que está verificando. Si hay una fuga de gas, verá pequeñas burbujas en la mezcla de agua jabonosa en el punto de la pérdida.

Si hay olor a gas:

- **Cierre la válvula** y no use la cubierta de cocción.
- **No encienda** cerillos, velas ni cigarrillos.
- **No encienda** ningún artefacto eléctrico o a gas.
- **No toque** ningún interruptor eléctrico ni enchufe el cable de alimentación en un tomacorriente.
- **No utilice** ningún teléfono dentro del edificio.
- **Evacue** a todos los ocupantes del ambiente, edificio o área.
- **Llame inmediatamente** al proveedor de gas desde el teléfono de un vecino. Siga las instrucciones del proveedor de gas.
- Si no puede comunicarse con el proveedor de gas, llame al departamento de bomberos.

Seguridad de la electricidad y la conexión a tierra

ADVERTENCIA

Para reducir el riesgo de incendio, descarga eléctrica, lesiones personales y/o muerte, respete las siguientes precauciones.

- Enchufe el cable de alimentación en un tomacorriente de 3 clavijas conectado a tierra.
- **No retire** la clavija de conexión a tierra.
- **No utilice** un adaptador ni un cable prolongador.
- **No utilice** un enchufe o un cable de alimentación dañado ni un tomacorriente flojo.
- **No modifique** el enchufe, el cable de alimentación ni el tomacorriente de ninguna manera.
- **No coloque** un fusible en el circuito neutral o de conexión a tierra.
- Utilice un circuito eléctrico exclusivo de CA, 120 voltios, 60 Hz, 20 A y equipado con fusibles para esta cubierta. Se recomienda un fusible de retardo o un disyuntor. No conecte más de un artefacto a este circuito.
- **No conecte** el cable a tierra a cañerías de plástico, tuberías de gas o tuberías de agua caliente.
- Esta cubierta **debe conectarse a tierra**. En el caso de fallas o averías, la conexión a tierra reducirá el riesgo de sufrir descargas eléctricas, ya que ofrece una ruta para la corriente eléctrica. Esta cubierta está equipada con un cable que dispone de un enchufe con conexión a tierra. El enchufe debe conectarse firmemente en un tomacorriente que esté bien instalado y que disponga de conexión a tierra, de acuerdo con los códigos y ordenanzas locales. Si no está seguro de si el tomacorriente está conectado correctamente a tierra, debe verificarlo un electricista matriculado.
- La cubierta está equipada con un enchufe de 3 clavijas con conexión a tierra. Este cable debe enchufarse a un tomacorriente adecuado de 3 clavijas con conexión a tierra, que cumpla con todos los códigos y las ordenanzas locales. Si los códigos permiten el uso de un conductor a tierra independiente, recomendamos que un electricista calificado determine la vía adecuada para este conductor a tierra.
- El servicio eléctrico que alimentará a la cubierta debe cumplir con los códigos locales. Además de los códigos locales, debe cumplir con la versión más reciente de ANSI/NFPA Nro. 70 (para EE.UU.) o con la versión más reciente del Código eléctrico de Canadá CSA C22.1.
- Es responsabilidad personal del propietario de la cubierta proporcionar el servicio eléctrico correcto para este equipo.

Seguridad de la instalación

ADVERTENCIA

Para reducir el riesgo de incendio, descarga eléctrica, lesiones personales y/o muerte, respete las siguientes precauciones.

- Un **instalador calificado** debería realizar la instalación y la conexión a tierra, de acuerdo con las instrucciones de instalación. Cualquier ajuste o servicio técnico solo debe ser realizado por instaladores de cubiertas de cocción a gas o técnicos de servicio calificados.
- **No intente** realizar el servicio, modificar ni reemplazar ninguna pieza de la cubierta a menos que se recomiende específicamente en este manual. Todas las demás tareas de servicio técnico deben ser encomendadas a un técnico calificado.
- Utilice siempre conectores flexibles nuevos cuando instale un artefacto a gas. **No utilice** conectores flexibles viejos.
- **Asegúrese** de que los soportes de sujeción a presión estén instalados correctamente en la cubierta. Consulte las instrucciones de instalación para obtener más información.
- **Retire** toda la cinta y el material de empaque.
- **Retire** todos los accesorios de la cubierta. Las rejillas y los comales son pesados. Tenga cuidado al manipularlos.
- **Asegúrese** de que no se hayan aflojado piezas durante el transporte.
- **Asegúrese** de que un técnico de servicio o instalador calificado instale y ajuste correctamente la cubierta según el tipo de gas (natural o LP) que utilizará. Para utilizar gas LP en la cubierta, el instalador debe reemplazar los 5 orificios de los quemadores superiores con el juego de orificios para LP y también debe invertir el adaptador GPR. Estos ajustes deben ser realizados por un técnico de servicio calificado de acuerdo con las instrucciones del fabricante y con todos los códigos y requisitos de la autoridad pertinente. La agencia calificada que realice este trabajo asume toda la responsabilidad de la conversión del gas.
- La instalación de esta cubierta debe cumplir con los códigos locales o, a falta de ellos, con la versión más reciente del Código nacional de gas combustible, ANSI Z223.1/NFPA.54. En Canadá, el Código de instalación para gas natural y propano, CSA B149.1. El diseño de esta cubierta ha sido certificado por ETL según la versión más reciente de ANSI Z21.1, y por Canadian Gas Association (Asociación de Gas de Canadá) según la versión más reciente de CAN/CGA-1.1.

- Asegúrese de que la válvula del medio tenga capacidad suficiente y no esté obstruida.
- La cubierta debe ser instalada por un técnico calificado. De lo contrario, pueden producirse fugas de gas, un incendio o un encendido defectuoso.

Seguridad de la ubicación

ADVERTENCIA

Para reducir el riesgo de incendio, descarga eléctrica, lesiones personales y/o muerte, respete las siguientes precauciones.

- Esta cubierta ha sido diseñada para uso doméstico en interiores solamente. **No instale** la cubierta en áreas expuestas a las condiciones climáticas o el agua.
- **No instale** la cubierta en un lugar expuesto a una corriente de aire fuerte.
- Seleccione una ubicación en la que haya un fácil acceso a un tomacorriente de 3 clavijas con conexión a tierra.
- Si se coloca la cubierta cerca de una ventana, **no cuelgue** cortinas largas ni persianas de papel en esa ventana.
- Para que la cubierta se ventile correctamente, debe haber suficiente espacio libre en la parte superior, posterior, a los lados y por debajo de la cubierta. Las ventilaciones permiten la salida de aire necesaria para que la cubierta funcione adecuadamente con la combustión correcta.
- **Asegúrese** de que los revestimientos de las paredes que rodean la cubierta puedan soportar un calor de hasta 194 °F (90 °C).
- Se debe evitar colocar gabinetes de almacenamiento por encima de la superficie de la cubierta. Si es necesario colocar gabinetes sobre la cubierta, debe dejarse un espacio libre de 30 pulgadas (76.2 cm) entre la superficie de cocción y la parte inferior de los gabinetes.

Información importante de seguridad

Seguridad de la cubierta

ADVERTENCIA

Para reducir el riesgo de incendio, descarga eléctrica, lesiones personales y/o muerte, respete las siguientes precauciones.

- Seleccione recipientes de cocina diseñados para la cocción encima de la estufa. Seleccione recipientes lo suficientemente grandes como para cubrir las rejillas de los quemadores. Ajuste las llamas de los quemadores de modo que no se extiendan más allá de la base de los recipientes.
- **Asegúrese** de que todos los quemadores estén apagados cuando no estén en uso.
- **No utilice** papel de aluminio para cubrir las rejillas ni ninguna parte de la cubierta.
- **No deje** los quemadores sin vigilancia en configuraciones de calor medio o alto.
- Antes de encender los quemadores, **asegúrese** de que todas las tapas estén correctamente instaladas en su lugar y que todos los quemadores estén nivelados.
- **Siempre use** la posición LITE (ENCENDER) al encender los quemadores y asegúrese de que todos enciendan. Si falla el encendido, gire la perilla en OFF (APAGADO) y espere hasta que se disipe el gas.
- Cuando coloque un quemador a fuego lento, **no gire** la perilla rápidamente. Asegúrese de que la llama permanezca encendida.
- **No coloque** objetos sobre la cubierta que no sean recipientes y utensilios de cocina.
- Esta cubierta está diseñada para cocinar con un wok o con el accesorio del aro para wok. Si se flambean alimentos, solo debe hacerse debajo de una campana de ventilación encendida.
- Antes de retirar o cambiar recipientes de cocina, apague los quemadores.
- Retire los alimentos y los recipientes de inmediato después de la cocción.
- Antes de retirar alguna pieza del quemador para realizar la limpieza, asegúrese de que la cubierta esté apagada y completamente fría.
- Después de limpiar el distribuidor del quemador, **asegúrese** de que esté completamente seco antes de volver a ensamblarlo.
- Para evitar el envenenamiento por monóxido de carbono, **no vierta** agua sobre el hueco de la cubierta durante la limpieza.
- Para evitar que los recipientes se decoloren, se deformen o que se produzca un envenenamiento por monóxido de carbono, **no utilice** recipientes que superen considerablemente el tamaño de la rejilla.
- **Asegúrese** de que las manijas de los recipientes queden orientadas hacia un lado o hacia la parte posterior de la cubierta, y nunca sobre los demás quemadores superiores.
- Aléjese de la cubierta durante la cocción mediante fritura.

- Caliente siempre el aceite para freír en forma lenta y vigílelo a medida que se calienta. Si se frien alimentos a alta temperatura, vigile cuidadosamente el proceso de cocción. Si se utilizará una combinación de grasa y aceite durante la fritura, debe mezclarlos antes de calentarlos.
- Utilice un termómetro para freidoras de inmersión cuando sea posible. Esto evita el recalentamiento de la freidora más allá del punto de generación de humo.
- Utilice una cantidad mínima de aceite durante las frituras de inmersión. Evite cocinar alimentos no descongelados o con excesiva cantidad de hielo.
- Antes de transportar recipientes llenos de grasa o aceite, asegúrese de que se hayan enfriado por completo.
- Para evitar el retraso en el punto de ebullición, siempre deje reposar los líquidos calentados durante al menos 20 segundos después de apagar el quemador, para que la temperatura del líquido pueda estabilizarse. En caso de escaldaduras, siga estas instrucciones de primeros auxilios:
 1. Sumerja el área escaldada en agua fría o tibia durante al menos 10 minutos.
 2. No se aplique cremas, aceites ni lociones.
 3. Cubra el área con un vendaje limpio y seco.
- Si se produce un corte de energía o el encendido eléctrico no funciona, no utilice fósforos o encendedores para encender los quemadores. Esto puede provocar un incendio o quemaduras físicas.
- No coloque ni utilice dispositivos de cocción eléctricos, tales como ollas arroceras de inducción o calentadores de sobremesa, en la parte superior de la cubierta. Las fuerzas electromagnéticas de estos artefactos pueden provocar que la cubierta funcione mal.

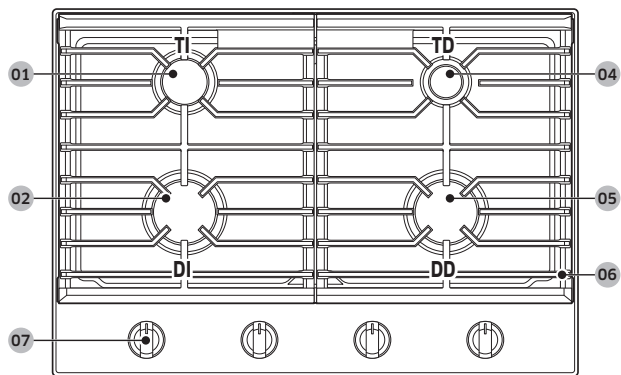
PRECAUCIÓN

Si la cubierta está instalada encima de un horno, no la utilice cuando éste ejecute la función de auto-limpieza.

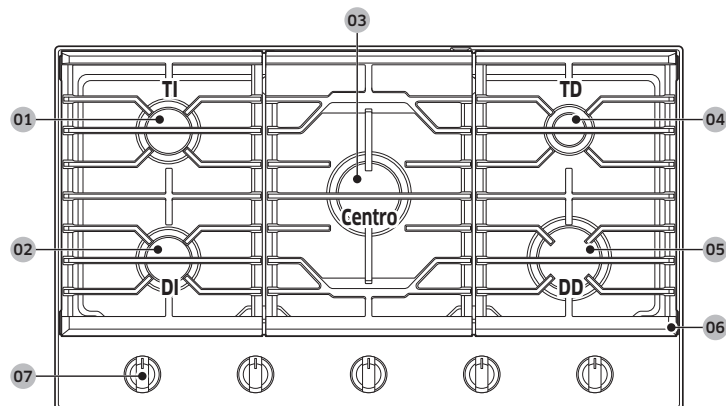
Descripción general

Esquema

Modelo de 30": NA30*5310F*



Modelo de 36": NA36*5310F*



- | | |
|--|--|
| <p>01 Trasero izquierdo
Quemador semi rápido 10,000 BTU</p> <p>03 Central (NA36*5310F*)
Quemador rápido 17,000 BTU</p> <p>05 Delantero derecho
Quemador rápido
NA30*5310F* : 17,000 BTU
NA36*5310F* : 13,000 BTU</p> <p>07 Perillas de los quemadores superiores
NA30*5310F* : 4 uds.
NA36*5310F* : 5 uds.</p> | <p>02 Delantero izquierdo
NA30*5310F* : Quemador rápido 13,000 BTU
NA36*5310F* : Quemador semi rápido 10,000 BTU</p> <p>04 Trasero derecho
Quemador a fuego lento 5,000 BTU</p> <p>06 Rejilla
NA30*5310F* : 2
NA36*5310F* : 3</p> |
|--|--|

Descripción general

Cada quemador tiene una perilla correspondiente que le permite ajustar el nivel de la llama de LO (BAJO) a HI (ALTO). Además, cada perilla tiene un ajuste Lite (Encender). Al girar la perilla hacia la posición Lite (Encender), se enciende el quemador correspondiente. Los indicadores de los quemadores están situados sobre cada perilla y muestran qué quemador controla dicha perilla. Cada quemador está diseñado para un propósito de cocción específico. Consulte la tabla a continuación.

Modelo de 30": NA30*5310F*

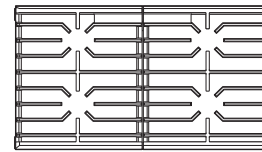
Quemador	Propósito	Tipo de alimento	Características
Semi rápido (TI)	Calentamiento general / Cocción a fuego lento bajo	Alimentos en general, guisos	Cocción general
Hervor a fuego lento (TD)	Cocción a fuego lento baja	Chocolate, guisos, salsas	Alimentos delicados que requieren fuego lento durante un tiempo prolongado
Rápido (DI, DD)	Calentamiento rápido	General	Cocción general

Modelo de 36": NA36*5310F*

Quemador	Propósito	Tipo de alimento	Características
Semi rápido (DI, TI)	Calentamiento general / Cocción a fuego lento bajo	Alimentos en general, guisos	Cocción general
Hervor a fuego lento (TD)	Cocción a fuego lento baja	Chocolate, guisos, salsas	Alimentos delicados que requieren fuego lento durante un tiempo prolongado
Rápido (Central, DD)	Calentamiento rápido	General	Cocción general

Elementos incluidos

Modelo de 30": NA30*5310F*

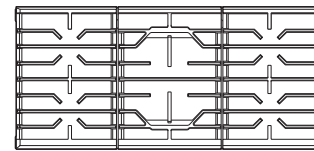


Rejillas de los quemadores superiores (2)*



Quemadores superiores y tapas (4)*

Modelo de 36": NA36*5310F*



Rejillas de los quemadores superiores (3)*



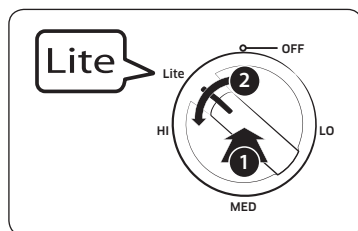
Quemadores superiores y tapas (5)*

NOTA

Si necesita una pieza identificada con un asterisco (*), puede adquirirla en el Centro de contacto de Samsung (1-800-SAMSUNG (726-7864)).

Uso de los quemadores de la cubierta

Ignición



Asegúrese de que todos los quemadores de la cubierta estén correctamente instalados. Para encender un quemador:

1. Empuje la perilla de control y gírela a la posición Lite (Encender). Oirá un "clic" que indica que el sistema de ignición electrónico funciona correctamente.
2. Una vez encendido el quemador de la cubierta, gire la perilla de control para salir de la posición Lite (Encender) y apagar el sistema de ignición electrónico.
3. Gire la perilla de control para ajustar el nivel de la llama.

Encendido manual

Si hay un corte de energía, puede encender el quemador manualmente. Tenga cuidado cuando lo haga.

1. Acerque un encendedor de parrilla de gas largo al quemador superior que desea encender.
2. Empuje la perilla de control del quemador y gírela a la posición Lite (Encender). Encienda el quemador con el encendedor de parrilla.
3. Una vez encendido el quemador, gire la perilla de control para ajustar el nivel de la llama.

Nivel de la llama

Las llamas de los quemadores siempre deben permanecer debajo de los recipientes de cocción y no deben extenderse más allá del fondo del utensilio en ningún momento.

⚠ ADVERTENCIA

- Si las llamas son mayores que el fondo del recipiente, pueden provocar un incendio o lesiones físicas.
- Cuando coloque un quemador a fuego lento, no gire la perilla del quemador rápidamente. Mire la llama para asegurarse de que se mantenga encendida.
- Después de encender un quemador superior, asegúrese de que el quemador esté encendido. Ajuste el nivel de la llama girando la perilla del quemador.
- Siempre apague los quemadores superiores antes de retirar los recipientes de cocción. Los controles de todos los quemadores superiores deben estar en la posición OFF (APAGADO) cuando no esté cocinando.
- Siempre apague los quemadores antes de ir a dormir o salir.
- Si siente olor a gas, corte el suministro de gas de la cubierta y llame a un técnico de servicio calificado. NUNCA utilice una llama para localizar la fuga.
- Si gira la perilla, pero el quemador superior no se enciende, apague la perilla de control de inmediato.
- No haga funcionar el quemador por un período prolongado sin utensilios de cocina sobre la rejilla. El acabado de la rejilla puede descascararse sin utensilios de cocina para absorber el calor.
- Asegúrese de que las rejillas y los quemadores estén fríos antes de colocar su mano, un agarrador aislante, trapos de limpieza u otros materiales sobre ellos.

Uso de los quemadores de la cubierta

Utensilio de cocina

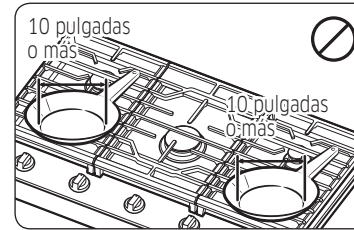
Requisitos

- Fondo plano y lados verticales
- Tapa bien ajustada
- Bien equilibrado con manijas que pesen menos que el cuerpo principal de la olla o sartén.

Características de los materiales

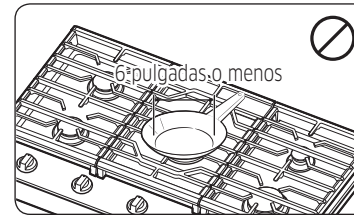
- **Aluminio:** Excelente conductor de calor. Algunos tipos de alimentos pueden causar el oscurecimiento del aluminio. Sin embargo, los recipientes de aluminio anodizado son resistentes a las manchas y a las picaduras.
- **Cobre:** Excelente conductor de calor pero su color se altera con facilidad.
- **Acero inoxidable:** Conductor de calor lento con resultados de cocción irregulares, pero es duradero, fácil de limpiar y resistente a las manchas.
- **Hierro fundido:** Mal conductor pero retiene muy bien el calor.
- **Utensilios esmaltados:** Las características de conducción de calor dependen del material de base.
- **Vidrio:** Conductor de calor lento. Utilice solo recipientes de vidrio con la especificación de que son aptos para usar sobre cubiertas de cocción o en el horno.
- **Vitro-cerámico resistente al calor:** Se puede utilizar para cocinar sobre la cubierta o en el horno. Conduce el calor muy lentamente y se enfría con mucha lentitud. Consulte las instrucciones del fabricante de los utensilios para asegurarse de que se pueden utilizar en una cubierta de cocción a gas.

Limitaciones de tamaño



⚠ PRECAUCIÓN

- No coloque una olla o sartén con un diámetro de fondo de alrededor de 10 pulgadas o más en el quemador DD o DI.



⚠ PRECAUCIÓN

- No coloque una olla o sartén con un diámetro de fondo de alrededor de 6 pulgadas o menos en la rejilla central. Este utensilio podría volcarse. Utilice los quemadores traseros para estos utensilios de tamaño pequeño.
- Asegúrese siempre de que las manijas de los recipientes queden orientadas hacia un lado o hacia la parte posterior de la cubierta, y no sobre los demás quemadores superiores. Esto minimizará las posibilidades de que se produzcan quemaduras, derrames y que se enciendan los materiales inflamables al golpear accidentalmente ollas o sartenes.
- Al utilizar recipientes de vidrio, asegúrese de que estén diseñados para la cocción sobre cubiertas.
- No deje elementos plásticos sobre la cubierta. Pueden derretirse o incendiarse. Calentar un recipiente de plástico sellado puede causar una acumulación de presión peligrosa que puede hacer que el recipiente explote.
- Asegúrese de sujetar la manija de un wok o una olla pequeña de una sola asa mientras cocina.

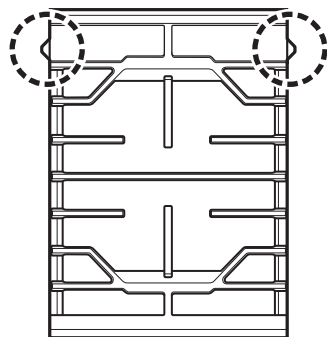
Instalación de las rejillas

NOTA

Instale las rejillas como se indica a continuación para una mayor duración. Cuando están bien instaladas, las aberturas de las rejillas están centradas sobre los quemadores. Las tres rejillas de la cubierta están diseñadas para ajustarse en posiciones específicas sobre la cubierta. Para conseguir la máxima estabilidad, estas rejillas solo deben utilizarse en sus posiciones correctas.

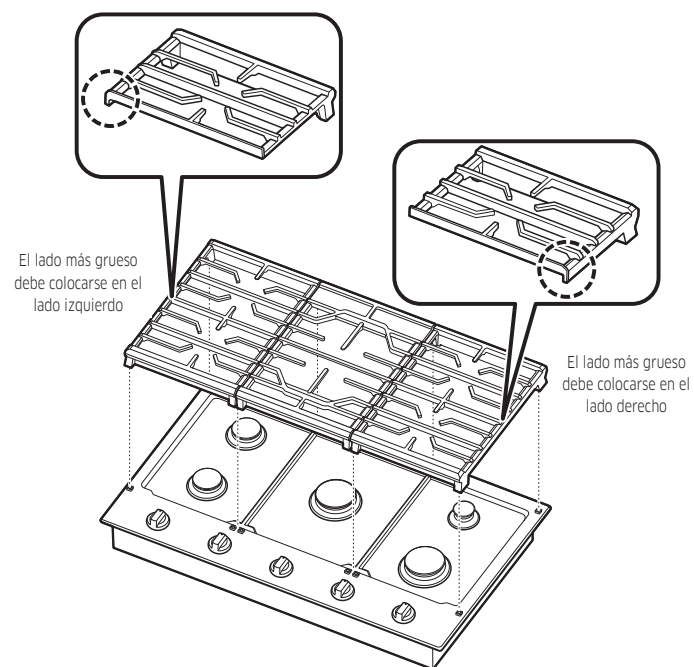
- Coloque las rejillas izquierda y derecha de modo que el lado más grueso de la rejilla derecha quede alineado con el lado derecho de la cubierta y el lado más grueso de la rejilla izquierda quede alineado con el lado izquierdo de la cubierta.
- La rejilla central debe instalarse con la parte identificada con la palabra 'BACK (ATRÁS)', hacia la parte trasera de la cubierta.

La rejilla central tiene dos sobresalientes para ayudarle a orientar correctamente los lados de la rejilla. Si instala los lados de la rejilla en la dirección o el lado equivocados, los sobresalientes estarán en contacto con los lados. Observe la ilustración que aparece a continuación.



Para colocar las rejillas correctamente, siga estos pasos:

1. Oriente la rejilla central tal como lo indican las instrucciones de la izquierda.
2. Baje suavemente las patas de la rejilla central de modo que sus patas queden colocadas en las hendiduras de la rejilla central en la cubierta.
3. Oriente las rejillas izquierda y derecha de modo que el lado más grueso de la rejilla derecha quede alineado con el lado derecho de la cubierta y el lado más grueso de la rejilla izquierda quede alineado con el lado izquierdo de la cubierta.
4. Con cuidado baje las patas de la rejilla derecha dentro de las hendiduras correspondientes de la cubierta. Repita los pasos para la rejilla izquierda. Cuando las rejillas se instalan correctamente, no estarán en contacto con los sobresalientes de la rejilla central.



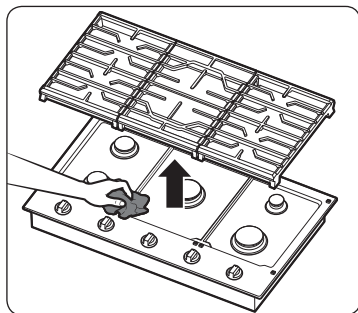
Cuidado y limpieza de la cubierta

⚠ ADVERTENCIA

Asegúrese de que el cable de alimentación y todas las superficies estén frías antes de limpiar cualquier parte de la cubierta. Si no puede acceder al cable de alimentación, apague la electricidad de la cubierta desde el disyuntor o caja de fusibles.

Superficie de la cubierta

Recomendamos retirar los alimentos derramados inmediatamente después de que se hayan derramado.



1. Apague todos los quemadores superiores.
2. Espere hasta que se enfríen las rejillas de los quemadores y retírelas.
3. Limpie la superficie de la cubierta con un paño suave. Si se derraman alimentos en los huecos de los componentes del quemador, retire la tapa del quemador y el cabezal y limpie los derrames.
4. Una vez finalizada la limpieza, vuelva a insertar los componentes del quemador y, luego, coloque las rejillas de los quemadores en su posición.

Superficies de porcelana esmaltada (en algunos modelos)

El acabado de porcelana esmaltada es resistente, pero puede romperse con un mal uso. Este acabado es resistente a los ácidos. Sin embargo, no se debe permitir que algunos alimentos ácidos con alto contenido de azúcar (tales como frutas, jugos, tomates o vinagre) permanezcan mucho tiempo sobre el acabado.

Si un alimento ácido se derrama sobre la cubierta mientras está caliente, apague todos los quemadores y, luego, use una toalla de papel o un paño seco para limpiar el derrame de inmediato. Cuando la superficie se haya enfriado, lávela con un limpiador multiuso y agua. Enjuague bien. Para otros derrames, tales como salpicaduras de grasa, lave la cubierta con agua y jabón o con un limpiador multiuso después de que la superficie se haya enfriado. Enjuague bien. Lustre con un paño seco.

Superficies de acero inoxidable (en algunos modelos)

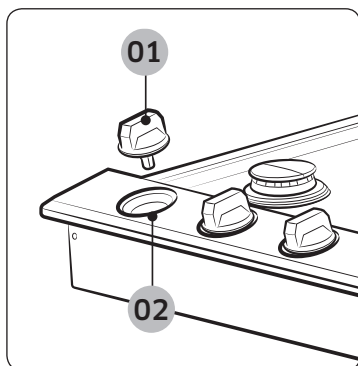
1. Elimine derrames, manchas y grasa con un paño suave humedecido.
2. Aplique un limpiador de acero inoxidable aprobado a un paño o una toalla de papel.
3. Limpie un área pequeña por vez, frotando en la dirección del grano del acero inoxidable, si corresponde.
4. Cuando finalice, seque la superficie con un paño suave seco.
5. Repita los pasos 2 a 4 tantas veces como sea necesario.

⚠ PRECAUCIÓN

- No use una esponja de lana de acero ni limpiadores abrasivos ya que pueden rayar o dañar la superficie.
- No retire la superficie de la cubierta para limpiarla. Las tuberías de gas que van a los distribuidores de los quemadores se pueden dañar y provocar un incendio o una falla del sistema.
- No vierta agua en el hueco de la cubierta mientras la limpia. Esta podría filtrarse en los sistemas eléctricos y de gas de la cubierta creando así un riesgo de descarga eléctrica o niveles elevados de monóxido de carbono debido a la corrosión de las válvulas o los puertos del gas.
- No rocíe ningún tipo de limpiador en los orificios de distribución. El sistema de ignición se encuentra en esos orificios y debe mantenerse libre de humedad.
- No limpie la cubierta o las piezas de acero inoxidable con:
 - Lejía cáustica (hidróxido de sodio) o limpiadores que contengan esta sustancia
 - Esponjas duras o de lana de acero
 - Productos químicos o materiales abrasivos.

Perillas de control

Asegúrese de que todas las perillas de los quemadores superiores estén en la posición **OFF (APAGADO)**.



- 01 Sujete cada perilla y jale hacia arriba para retirarla.
- 02 Protector contra derrames. No lo retire.

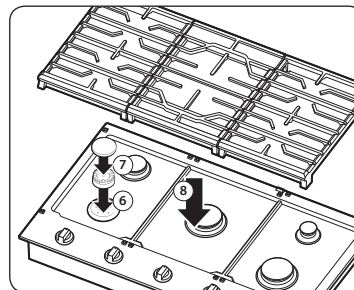
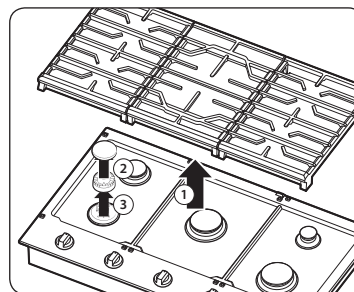
1. Extraiga las perillas de los vástagos de la válvula de control.
2. Limpie las perillas de control en agua jabonosa tibia. Luego enjuáguelas y séquelas completamente.
3. Limpie las superficies de acero inoxidable con un limpiador para acero inoxidable.
4. Vuelva a colocar las perillas en la posición **OFF (APAGADO)** en los vástagos de la válvula de control.

⚠ PRECAUCIÓN

- No limpie las perillas de control en una lavavajillas.
- No rocíe limpiadores directamente sobre el panel de control. Si ingresa humedad en los circuitos eléctricos puede provocar descargas eléctricas o daños en el producto.

Rejillas y componentes de los quemadores

Apague todos los quemadores superiores y asegúrese de que se hayan enfriado.



1. Retire las rejillas de los quemadores.
2. Retire las tapas de los cabezales de los quemadores.
3. Retire los cabezales de los quemadores de las válvulas de distribución para revelar los electrodos de encendido.
4. Limpie todos los componentes desmontables de las rejillas y los quemadores en agua jabonosa tibia. No use esponjas de lana de acero ni limpiadores abrasivos.
5. Enjuague y seque bien las rejillas y los componentes de los quemadores.
6. Vuelva a colocar los cabezales de los quemadores en sus posiciones arriba de las válvulas de distribución. Asegúrese de que haya un electrodo de encendido insertado a través del orificio en cada cabezal de los quemadores.

📖 NOTA

Consulte las páginas 18, 19, y 20 para obtener instrucciones detalladas para el re-ensamblaje de los componentes de los quemadores.

7. Vuelva a colocar las tapas de los quemadores en sus posiciones arriba de los cabezales. Para garantizar un funcionamiento correcto y seguro, asegúrese de que las tapas de los quemadores queden planas arriba de los cabezales.
8. Vuelva a instalar las rejillas de los quemadores en sus respectivas posiciones.
9. Encienda cada uno de los quemadores y verifique si funcionan correctamente. Después de verificar que un quemador funciona con normalidad, apáguelo.

Cuidado y limpieza de la cubierta

Tapas y cabezales de los quemadores

NOTAS

Antes de retirar las tapas y los cabezales de los quemadores, recuerde su tamaño y ubicación. Vuelva a colocarlos en la misma ubicación después de realizar la limpieza.

Lave las tapas y los cabezales de los quemadores en agua jabonosa caliente y enjuague con agua corriente limpia. Puede fregar con una esponja plástica para eliminar las partículas de alimentos quemados.

Utilice una aguja de coser o una tira de alambre para destapar los orificios pequeños del cabezal del quemador, si es necesario.

PRECAUCIÓN

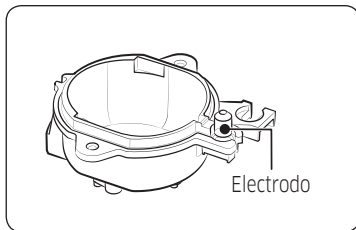
- No limpie ninguna de las piezas de los quemadores en una lavavajillas.
- No use lana de acero o polvos abrasivos para limpiar los quemadores.

Bases de los quemadores

PRECAUCIÓN

Las bases de los quemadores no pueden retirarse para la limpieza.

Base del quemador redondo



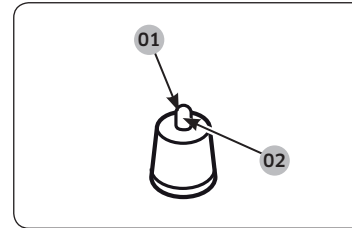
Asegúrese de que no ingrese agua en las bases ni en los orificios de gas de latón.

Limpie con un paño húmedo. Tenga cuidado de no rayar, deformar o dañar las bases. Deje que se sequen completamente antes de usar.

Electrodos

PRECAUCIÓN

No intente retirar el electrodo de la cubierta o las bases de los quemadores.



- 01 Limpie esta pieza de metal
- 02 No limpie esta pieza de cerámica blanca con una lima de cartón

Tenga cuidado de no presionar ninguno de los controles de la cubierta mientras la limpia. Podría provocarse una ligera descarga eléctrica que haría que se tire encima las ollas calientes.

Asegúrese de que los electrodos de cerámica blanca en la cubierta estén libres de suciedad y secos.

Limpie la parte metálica del electrodo con un paño suave. No utilice agua para limpiar los dispositivos de ignición.

Antes de volver a montar los quemadores, empuje suavemente hacia abajo cada uno de los electrodos de cerámica blanca para asegurarse de que queden presionados contra las bases de los quemadores.

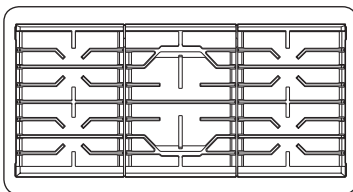
NOTA

No intente retirar el electrodo de la cubierta.

Rejillas

PRECAUCIÓN

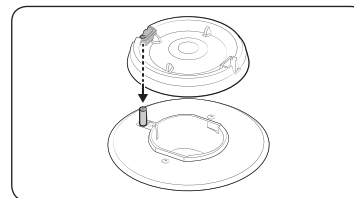
No limpie las rejillas en una lavavajillas. Se dañarán.



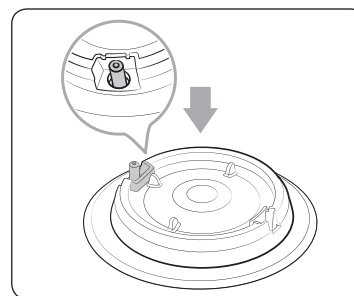
Levante y retire las rejillas cuando estén frías. Las rejillas deben limpiarse regularmente y después de que se produzcan derrames. Lávelas con agua caliente y jabón, y enjuague con agua limpia. Cuando vuelva a colocar las rejillas, asegúrese de que estén bien posicionadas sobre los quemadores.

Reemplazo del cabezal y la tapa de los quemadores

Cabezal del quemador redondo



1. Oriente el cabezal del quemador de modo que la abertura para el electrodo y el electrodo queden alineados.



2. Instale el cabezal del quemador de modo que el electrodo pase por la abertura. Asegúrese de que el cabezal del quemador quede plano en la parte superior de la estufa.



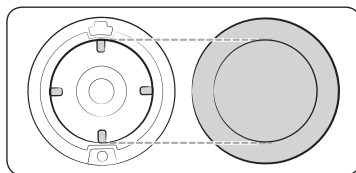
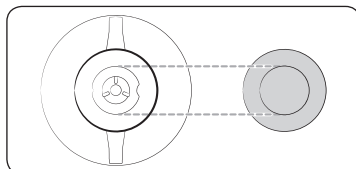
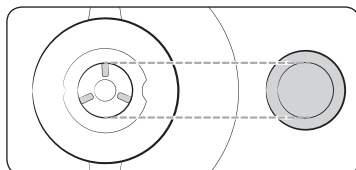
Cabezal de los quemadores

PRECAUCIÓN

Asegúrese de que todos los componentes de los quemadores (cabezales y tapas) se vuelvan a instalar correctamente. Si la instalación es correcta, quedarán estables y planos.

Cuidado y limpieza de la cubierta

Tapa de los quemadores



1. Vuelva a instalar las tapas de los quemadores haciendo coincidir su tamaño con el de los quemadores.

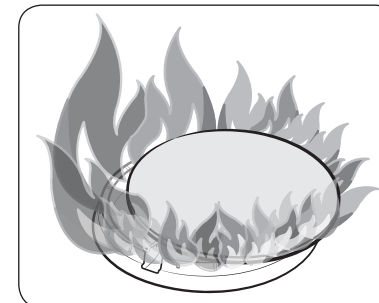
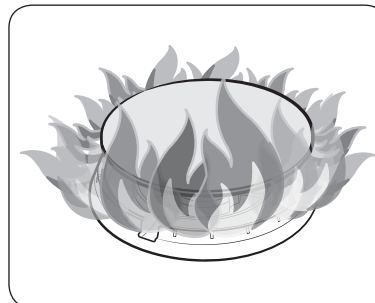
⚠ PRECAUCIÓN

Asegúrese de que cada tapa se vuelva a instalar en el cabezal correcto y que quede centrada y plana sobre el cabezal del quemador.

⚠ PRECAUCIÓN

Asegúrese de que todos los componentes de los quemadores (cabezales y tapas) se vuelvan a instalar correctamente. Si la instalación es correcta, quedarán estables y planos.

📖 NOTA



Luego de volver a instalar los quemadores superiores, enciende cada uno para garantizar que funcionen correctamente.

La instalación incorrecta del cabezal o la tapa del quemador causará una ignición deficiente o una irregularidad de las llamas (como se muestra en las imágenes).

Resolución de problemas

Si encuentra algún problema con la cubierta, verifique primero las siguientes tablas e intente poner en práctica las acciones sugeridas.

Puntos de verificación

Seguridad del gas

Problema	Causa posible	Acción
Hay olor a gas.	La perilla del quemador superior no está en posición OFF (APAGADO) y el quemador no está encendido.	Gire la perilla del quemador a OFF (APAGADO) .
	Hay una fuga de gas.	Haga salir a todos los ocupantes de la habitación, el edificio o el área. Llame inmediatamente al proveedor de gas desde el teléfono de un vecino. No llame desde su teléfono. El teléfono es eléctrico y podría causar una chispa que podría prender fuego el gas. Siga las instrucciones del proveedor de gas. Si no puede comunicarse con el proveedor de gas, llame al departamento de bomberos.

Quemadores superiores

Problema	Causa	Acción
No se enciende ningún quemador.	El cable de alimentación no está enchufado al tomacorriente.	Asegúrese de que el enchufe se encuentre insertado en un tomacorriente alimentado con corriente y bien conectado a tierra.
	Puede haberse quemado un fusible en su casa o haberse disparado el disyuntor.	Reemplace el fusible o reinicie el disyuntor.
	El suministro de gas no está correctamente conectado o encendido.	Consulte las instrucciones de instalación que vinieron con su cubierta.

Problema	Causa	Acción
Los quemadores superiores no se encienden.	La perilla de control no se reguló correctamente.	Empuje la perilla de control y gírela hasta la posición Lite (Encender).
	Las tapas de los quemadores no están en su lugar. La base del quemador está mal alineada.	Limpie los electrodos. Coloque la tapa del quemador sobre el cabezal. Alinee la base del quemador.
Un quemador superior hace un clic durante el funcionamiento.	La perilla de control se dejó en la posición Lite (Encender).	Una vez encendido el quemador, gire la perilla de control hasta la posición deseada. Si el quemador sigue haciendo clic, llame a un técnico de servicio.
Los quemadores no arden en forma pareja.	Los componentes y las tapas de los quemadores superiores no están colocados correctamente y a nivel.	Consulte las páginas 19, y 20.
	Los quemadores superiores están sucios.	Limpie los componentes de los quemadores superiores. (Consulte las páginas 16, y 17).
Las llamas de los quemadores superiores son muy grandes o amarillas.	Se instaló un orificio de tamaño incorrecto.	Verifique el tamaño del orificio del quemador. Comuníquese con su instalador si tiene el orificio incorrecto (gas LP en lugar de gas natural o viceversa).

Garantía limitada (Estados Unidos)

NO LA DESECHE.

Cubierta A GAS SAMSUNG

GARANTÍA LIMITADA AL COMPRADOR CONSUMIDOR ORIGINAL CON PRUEBA DE COMPRA

El presente producto de la marca SAMSUNG, tal como lo provee y distribuye SAMSUNG ELECTRONICS AMERICA, INC. (SAMSUNG) y lo entrega como nuevo, en su caja de cartón original al comprador consumidor original, está garantizado por SAMSUNG contra defectos de fabricación de los materiales o la mano de obra durante el período limitado de la garantía, a partir de la fecha original de compra, de:

Un (1) año para piezas y mano de obra

La presente garantía limitada es válida únicamente para productos comprados y usados en Estados Unidos que fueron instalados, operados y mantenidos de acuerdo con las instrucciones adjuntas o provistas con el producto. Para recibir el servicio técnico en garantía, el comprador debe comunicarse con SAMSUNG en la dirección o el teléfono que figuran más abajo con el fin de que se determine el problema y los procedimientos del servicio. El servicio técnico de la garantía solo puede ser prestado por un centro de servicio técnico autorizado de SAMSUNG. Para recibir el servicio técnico en garantía debe presentarse la factura original de compra fechada cuando así lo solicite SAMSUNG o el Centro de Servicio autorizado Samsung como prueba de compra.

Samsung brindará servicio técnico a domicilio dentro del territorio contiguo de Estados Unidos durante el período de garantía sin cargo, sujeto a la disponibilidad de los centros de servicio autorizados por SAMSUNG dentro de la zona geográfica del cliente. Si el servicio técnico a domicilio no está disponible, SAMSUNG puede, a su elección, optar por transportar el producto hasta y desde un centro de servicio técnico autorizado. Si el producto está ubicado en una zona en la que no se encuentra disponible ningún centro de servicio autorizado por SAMSUNG, usted podrá ser responsable del cargo por transporte o se le podrá requerir que transporte el producto a un centro de servicio autorizado por SAMSUNG para recibir asistencia técnica.

Para recibir el servicio técnico a domicilio, el producto no debe presentar obstrucciones y debe ser accesible para el agente del servicio técnico.

Durante el periodo de garantía aplicable, el producto se reparará o se reemplazará, o se devolverá el importe de compra, a la entera discreción de SAMSUNG. SAMSUNG podrá usar piezas nuevas o reacondicionadas para la reparación del producto, o reemplazar el producto por un producto nuevo o reacondicionado. La vigencia de la garantía de las piezas y los productos reemplazados será por el período restante de la garantía original del producto o por un período de noventa (90) días, el que sea el más largo. Todas las piezas y los productos reemplazados son propiedad de SAMSUNG y deben ser devueltos a SAMSUNG.

La presente garantía limitada cubre defectos de fabricación de los materiales o la mano de obra que ocurran durante el uso normal y doméstico de este producto y no cubrirá lo siguiente: daños que ocurran durante el envío, entrega e instalación y usos para los cuales el presente producto no fue destinado; daños causados por modificación o alteración no autorizada del producto; producto cuyos números de serie originales de fábrica fueron eliminados, desfigurados, alterados en algún modo o que no se puedan determinar fácilmente; daños cosméticos incluyendo rayones, hendiduras, abolladuras y otros daños al acabado del producto; daño causado por abuso o mal uso, plagas, accidente, incendio, inundación u otros casos fortuitos o de fuerza mayor; daño causado por el uso de equipo, utilidades, servicios, piezas, suministros, accesorios, aplicaciones, instalaciones, reparaciones, cableado externo o conectores no provistos ni autorizados por SAMSUNG; daño causado por línea eléctrica o voltaje incorrecto, fluctuaciones y sobretensión; daño causado por no operar y mantener el producto de acuerdo con las instrucciones; instrucción a domicilio acerca de cómo usar el producto; y servicio técnico para corregir una instalación que no cumpla con los códigos eléctricos o de plomería o corrección de cableado eléctrico o tuberías (es decir, cableado doméstico, fusibles o mangueras de entrada de agua). Esta garantía limitada tampoco cubre los daños a la cubierta de vidrio causados por (i) el uso de productos de limpieza distintos de los productos y almohadillas recomendadas o (ii) derrames endurecidos de sustancias azucaradas o plásticos fundidos que no se hubiesen limpiado de acuerdo con las instrucciones incluidas en la guía de uso y cuidados.

El costo de reparación o reemplazo bajo estas circunstancias excluidas será responsabilidad del cliente.

Las visitas de un proveedor de servicio técnico autorizado para explicar funciones, mantenimiento o instalación del producto no se cubren bajo esta garantía limitada. Comuníquese con Samsung al número que figura abajo para obtener ayuda con cualquiera de estos problemas.

EXCLUSIÓN DE GARANTÍAS IMPLÍCITAS

LAS GARANTÍAS IMPLÍCITAS, INCLUYENDO GARANTÍAS IMPLÍCITAS DE COMERCIABILIDAD O APTITUD PARA UN PROPÓSITO EN PARTICULAR, ESTÁN LIMITADAS A UN AÑO O AL PERIODO MÁS CORTO PERMITIDO POR LA LEY. Algunos estados no permiten limitaciones en cuanto al periodo de vigencia de una garantía implícita, de tal forma que las limitaciones o exclusiones mencionadas tal vez no se apliquen a usted en particular. Esta garantía le otorga derechos específicos, e incluso usted también puede tener otros derechos que varían de un estado a otro.

LIMITACIÓN DE RECURSOS

EL ÚNICO Y EXCLUSIVO RECURSO ES LA REPARACIÓN DEL PRODUCTO, EL REEMPLAZO DEL PRODUCTO O LA DEVOLUCIÓN DEL IMPORTE DE COMPRA, A DISCRECIÓN DE SAMSUNG, CONFORME A ESTA GARANTÍA LIMITADA. SAMSUNG NO SERÁ RESPONSABLE POR DAÑOS ESPECIALES, IMPREVISTOS O DERIVADOS, INCLUYENDO ENTRE OTROS, TIEMPO FUERA DEL TRABAJO, HOTELES Y/O COMIDAS EN RESTAURANTES, GASTOS DE REMODELACIÓN, PÉRDIDAS DE INGRESOS O GANANCIAS, INCAPACIDAD DE GENERAR AHORROS U OTROS BENEFICIOS INDEPENDIEMENTE DE LA TEORÍA LEGAL EN LA QUE SE BASE EL RECLAMO, E INCLUSO SI SAMSUNG HA SIDO ADVERTIDA DE LA POSIBILIDAD DE DICHOS DAÑOS. Algunos estados no permiten la exclusión o la limitación de daños imprevistos o derivados, por lo que las limitaciones o exclusiones mencionadas tal vez no se apliquen a usted en particular. Esta garantía le otorga derechos específicos, e incluso usted también puede tener otros derechos que varían de un estado a otro.

SAMSUNG no garantiza el funcionamiento ininterrumpido o sin errores del producto. Ningún aval o garantía otorgados por otra persona, compañía o corporación con respecto al presente producto revestirá carácter vinculante para SAMSUNG.

Para obtener el servicio de garantía, comuníquese con SAMSUNG en:

Samsung Electronics America, Inc.
85 Challenger Road
Ridgefield Park, NJ 07660
1-800-SAMSUNG (726-7864) www.samsung.com/us/support

Registro

Registre su producto en línea en www.samsung.com/register.

Preguntas

Si tiene preguntas sobre funciones, operación/rendimiento, piezas, accesorios o servicio, llame al 1-800-SAMSUNG (726-7864) o visite nuestro sitio Web en www.samsung.com/us/support.

Nombre de modelo y número de serie

El nombre del modelo y el número de serie aparecen en el lado derecho de la base de la cubierta. Para un posterior uso, escriba la información en esta página.

Nombre de modelo _____

Número de serie _____

Garantía (CANADÁ)

NO LA DESECHE.

Cubierta A GAS SAMSUNG

GARANTÍA LIMITADA PARA EL COMPRADOR ORIGINAL

El presente producto de la marca SAMSUNG, tal como lo provee y distribuye SAMSUNG ELECTRONICS CANADA INC. (SAMSUNG) y lo entrega como nuevo, en su empaque de cartón original al comprador o consumidor original, está garantizado por SAMSUNG contra defectos de fabricación de los materiales y la mano de obra durante el período limitado de la garantía de:

Un (1) año para piezas y mano de obra

La presente garantía limitada comienza en la fecha original de compra y es válida únicamente para productos comprados y usados en Canadá. Para recibir el servicio técnico de la garantía, el comprador debe comunicarse con SAMSUNG a fin de que se determine el problema y los procedimientos del servicio. El servicio técnico de la garantía solo puede ser prestado por un centro de servicio técnico autorizado de SAMSUNG y cualquier servicio no autorizado anulará esta garantía. Se debe presentar la factura de compra original como prueba de compra a SAMSUNG o al centro de servicio técnico autorizado de SAMSUNG. Samsung brindará servicio técnico a domicilio sin cargo durante el período de garantía de un (1) año, sujeto a disponibilidad, dentro del territorio contiguo de Canadá. El servicio a domicilio no está disponible en todas las zonas. Como condición para que se preste este servicio a domicilio, el producto debe encontrarse libre de obstrucciones y accesible para el agente de servicio. Si el servicio no está disponible, Samsung podrá optar por brindar el servicio de transporte del producto de ida y vuelta al centro de servicio.

SAMSUNG reparará o reemplazará el producto a nuestra discreción y sin cargo tal como se establece en la presente garantía, con piezas o productos nuevos o reacondicionados si se comprueba que es defectuoso durante el período limitado de la garantía especificado anteriormente. Todas las piezas y los productos reemplazados pasan a ser propiedad de SAMSUNG y deben ser devueltos a SAMSUNG. Las piezas y los productos reemplazados asumen la garantía original que resta, o noventa (90) días, el período que sea el más prolongado.

Esta garantía limitada no cubre casos de corriente, voltaje o alimentación eléctrica incorrectos, bombillas de luz, fusibles y cableado en la casa, el costo de las llamadas al servicio técnico para solicitar instrucciones, ni la corrección de errores de instalación. Tampoco están cubiertos los daños a la cubierta causados por el uso de productos y elementos de limpieza distintos de los productos y esponjas recomendadas, y daños a la cubierta causados por derrames endurecidos de sustancias azucaradas o plásticos fundidos que no hubiesen sido limpiados de acuerdo con las instrucciones incluidas en la guía de uso y cuidados. SAMSUNG no garantiza el funcionamiento ininterrumpido o sin errores del producto.

SALVO LO ESTABLECIDO EN ESTE DOCUMENTO, NO EXISTEN GARANTÍAS NI CONDICIONES RESPECTO DE ESTE PRODUCTO NI EXPRESAS NI TÁCTAS Y SAMSUNG DESCONOCE Y RECHAZA TODA GARANTÍA Y CONDICIÓN INCLUIDA, AUNQUE NO TAXATIVAMENTE ENUMERADA, TODA GARANTÍA Y CONDICIÓN TÁCTA DE COMERCIABILIDAD, INFRACCIÓN O APTITUD PARA UN PROPÓSITO ESPECIAL. NINGUNA OTRA GARANTÍA OTORGADA POR PERSONA, COMPAÑÍA O CORPORACIÓN ALGUNA CON RESPECTO AL PRESENTE PRODUCTO REVESTIRÁ CARÁCTER VINCULANTE PARA SAMSUNG. SAMSUNG NO SERÁ RESPONSABLE POR PÉRDIDA DE INGRESOS O LUCRO CESANTE, IMPOSIBILIDAD DE GENERAR AHORROS U OBTENER OTROS BENEFICIOS, O CUALQUIER DAÑO DERIVADO DE CIRCUNSTANCIAS GENERALES, INDIRECTAS, ESPECIALES, DAÑO IMPREVISTO O DERIVADO CAUSADO POR EL USO, USO INCORRECTO, O INCAPACIDAD PARA USAR EL PRESENTE PRODUCTO, INDEPENDIEMENTE DE LA TEORÍA LEGAL EN QUE SE FUNDE EL RECLAMO Y AUN CUANDO SE LE HAYA NOTIFICADO A SAMSUNG DE LA POSIBILIDAD DE TALES DAÑOS. NINGÚN RESARCIMIENTO DE NINGUNA ÍNDOLE CONTRA SAMSUNG SUPERARÁ EL MONTO DEL PRECIO DE COMPRA DEL PRODUCTO VENDIDO POR SAMSUNG Y CAUSANTE DEL PRESUNTO DAÑO. SIN LIMITAR LO PRECEDENTE, EL COMPRADOR ASUME TODO EL RIESGO Y LA RESPONSABILIDAD POR PÉRDIDA, DAÑO O LESIÓN AL COMPRADOR Y A LOS BIENES DEL COMPRADOR Y A TERCEROS Y A SUS BIENES DERIVADOS DEL USO, USO INCORRECTO O INCAPACIDAD PARA USAR EL PRESENTE PRODUCTO. LA PRESENTE GARANTÍA LIMITADA NO SE EXTENDERÁ A NINGUNA PERSONA DISTINTA DEL COMPRADOR ORIGINAL DEL PRESENTE PRODUCTO, ES INTRANSFERIBLE Y ESTABLECE SU EXCLUSIVA REPARACIÓN.

Algunos estados o provincias no permiten limitaciones en cuanto al plazo de una garantía implícita, o la exclusión o limitación de daños imprevistos o derivados, por lo tanto las limitaciones o exclusiones antedichas pueden no aplicarse en su caso.

Esta garantía le otorga derechos legales específicos, y además puede tener otros derechos que varían según el estado o la provincia en el que se encuentre.

Para recibir un servicio técnico de garantía, comuníquese con SAMSUNG a:

Samsung Electronics Canada Inc.
2050 Derry Road West, Mississauga, Ontario L5N 0B9 Canada
1-800-SAMSUNG (726-7864) y www.samsung.com/ca/support (English)
www.samsung.com/ca_fr/support (French)

Registro

Registre su producto en línea en www.samsung.com/register.

Preguntas

Si tiene preguntas sobre funciones, operación/rendimiento, piezas, accesorios o servicios, llame al 1-800-SAMSUNG (726-7864) o visite nuestro sitio Web en www.samsung.com/ca/support (English) o www.samsung.com/ca_fr/support (French).

Nombre de modelo y número de serie

El nombre del modelo y el número de serie aparecen en el lado derecho de la base de la cubierta. Para un posterior uso, escriba la información en esta página.

Nombre de modelo _____

Número de serie _____

Notas

Notas



Escanee el código QR* o visite www.samsung.com/spsn para ver nuestros útiles videos instructivos y programas en vivo

*Requiere un lector instalado en su teléfono inteligente

Scan this with your smartphone

Tenga en cuenta que la garantía de Samsung NO cubre las llamadas de servicio para explicar el funcionamiento del producto, corregir una instalación inadecuada o realizar tareas de limpieza o mantenimiento.

¿TIENE PREGUNTAS O COMENTARIOS?

PAÍS	LLAME AL	O VISÍTENOS EN LÍNEA EN
U.S.A Consumer Electronics	1-800-SAMSUNG (726-7864)	www.samsung.com/us/support
CANADA	1-800-SAMSUNG(726-7864)	www.samsung.com/ca/support (English) www.samsung.com/ca_fr/support (French)



DG68-01132A-01

Table de cuisson au gaz

Manuel d'utilisation

NA30*5310F* / NA36*5310F*



SAMSUNG

AVERTISSEMENT : Si vous ne respectez pas scrupuleusement les informations contenues dans ce manuel, vous risquez de provoquer un incendie ou un choc électrique et, par conséquent, des dégâts matériels, blessures ou accidents mortels.

- **N'ENTREPOSEZ et N'UTILISEZ PAS** d'essence ou d'autres vapeurs et liquides inflammables à proximité de cet appareil ou de tout autre.
- **DANS LE CAS OÙ VOUS SENTEZ UNE ODEUR DE GAZ :**
 - **N'ESSAYEZ PAS** d'allumer un appareil quel qu'il soit.
 - **NE TOUCHEZ** aucun commutateur électrique.
 - **N'UTILISEZ PAS** de téléphone dans votre immeuble.
 - Appelez immédiatement votre fournisseur de gaz à partir du téléphone d'un voisin. Suivez les instructions de votre fournisseur de gaz.
 - Si vous ne parvenez pas à joindre votre fournisseur de gaz, appelez les pompiers.
- L'installation et l'entretien doivent être effectués par un installateur qualifié, une agence de maintenance ou votre fournisseur de gaz.

Informations relatives à la réglementation

1. Avis de la FCC

ATTENTION

MISE EN GARDE DE LA FCC : Tout changement ou modification sans accord express de la partie responsable de la conformité peut rendre caduque l'autorisation accordée à l'utilisateur d'utiliser l'appareil.

Cet appareil est conforme au paragraphe 15 de la réglementation FCC. Son fonctionnement est soumis aux deux conditions suivantes :

- 1)** Cet appareil ne doit pas provoquer d'interférences néfastes, et
- 2)** Cet appareil doit accepter toute interférence reçue, y compris les interférences entraînant un fonctionnement indésirable.

Concernant les produits vendus sur les marchés américain et canadien, seules les chaînes 1 à 11 sont disponibles. Vous ne pouvez pas sélectionner aucune autre chaîne.

DÉCLARATION DE LA FCC :

Cet appareil a été testé ; il est conforme aux limitations applicables aux appareils numériques de classe B, selon le paragraphe 15 de la réglementation FCC. Ces limites sont destinées à assurer une protection suffisante contre les interférences néfastes dans une zone résidentielle.

Cet appareil génère, utilise et peut émettre de l'énergie radioélectrique. S'il n'est pas installé et utilisé selon les instructions, il peut entraîner des interférences néfastes pour les communications radio. Il n'est toutefois pas garanti qu'aucune interférence ne se produise dans le cadre d'une installation en particulier. S'il s'avère que cet appareil produit des interférences avec votre radio ou votre télévision (pour le vérifier, éteignez puis rallumez l'appareil), essayez de les éliminer à l'aide d'une ou de plusieurs des mesures suivantes :

- Réorientation de l'antenne de réception ou son déplacement
- Augmentation de la distance entre l'appareil et le récepteur
- Connexion de l'appareil à une sortie se trouvant sur un circuit différent de la radio ou de la télévision.
- Demande d'aide au revendeur ou à un technicien radio/TV expérimenté.

DÉCLARATION DE LA FCC RELATIVE À L'EXPOSITION AUX RADIATIONS :

Cet appareil est conforme aux limites d'exposition aux radiations de la FCC, définies pour un environnement contrôlé. Cet appareil doit être installé et utilisé en laissant une distance d'au moins 8 pouces (20 cm) entre le radiateur et votre corps. Cet appareil ainsi que son ou ses antennes ne doivent pas être situés au même endroit et être utilisés conjointement avec toute autre antenne ou transmetteur.

2. Avis IC

Le terme « IC » placé avant le numéro de certification pour les radiofréquences signifie seulement que les spécifications techniques d'Industry Canada ont été respectées. Son fonctionnement est soumis aux deux conditions suivantes : (1) cet appareil ne doit pas provoquer d'interférences, et (2) cet appareil doit accepter toute interférence, y compris les interférences susceptibles d'entraîner un fonctionnement indésirable de l'appareil.

Cet appareil numérique de la classe B est conforme à la norme ICES-003 du Canada.

Concernant les produits vendus sur les marchés américain et canadien, seules les chaînes 1 à 11 sont disponibles. Vous ne pouvez pas sélectionner aucune autre chaîne.

Informations relatives à la réglementation

DÉCLARATION D'IC RELATIVE À L'EXPOSITION AUX RADIATIONS :

Cet appareil est conforme aux limites d'exposition aux radiations de la norme RSS-102 d'IC, définies pour un environnement contrôlé. Cet appareil doit être installé et utilisé en laissant une distance d'au moins 8 pouces (20 cm) entre le radiateur et votre corps. Cet appareil ainsi que son ou ses antennes ne doivent pas être situés au même endroit et être utilisés conjointement avec toute autre antenne ou transmetteur.

Consignes générales de sécurité

Cet appareil a été testé et certifié conforme aux limitations applicables aux appareils numériques de classe B, selon le paragraphe 18 de la réglementation FCC. Ces limites sont destinées à assurer une protection suffisante contre les interférences néfastes dans une zone résidentielle. Cet appareil génère, exploite et peut émettre des ondes radioélectriques. S'il n'est pas installé et utilisé selon les instructions, il peut entraîner des interférences nuisibles aux communications radio.

Il n'est toutefois pas garanti qu'aucune interférence ne se produise dans le cadre d'une installation en particulier. S'il s'avère que cet appareil produit des interférences avec votre radio ou votre télévision (pour le vérifier, éteignez puis rallumez l'appareil), essayez de les éliminer à l'aide d'une ou de plusieurs des mesures suivantes :

- Réorientation de l'antenne de réception ou son déplacement
- Augmentation de la distance entre l'appareil et le récepteur
- Connexion de l'appareil à une sortie se trouvant sur un circuit différent de la radio ou de la télévision.

Table des matières

Informations importantes relatives à la sécurité	6
Présentation	11
Disposition	11
Accessoires fournis	12
Utilisation des brûleurs de la table de cuisson	13
Allumage	13
Récipient	14
Installation des grilles	15
Entretien et nettoyage de la table de cuisson	16
Surface de la table de cuisson	16
Surfaces en émail vitrifié (sur certains modèles)	16
Surfaces en acier inoxydable (sur certains modèles)	16
Boutons de commande	17
Grilles et composants des brûleurs	17
Chapeaux et têtes des brûleurs	18
Bases des brûleurs	18
Électrodes	18
Grilles	19
Remplacement des chapeaux et têtes des brûleurs	19
Chapeau du brûleur	20

Dépannage	21
Points à contrôler	21
Garantie (États-Unis)	22
Garantie (CANADA)	24

Informations importantes relatives à la sécurité

Lisez toutes les consignes de sécurité avant d'utiliser l'appareil.

- Tous les appareils électriques et au gaz comportant des pièces mobiles présentent un danger. Veuillez lire les consignes de sécurité importantes pour cet appareil dans ce manuel. Ces instructions doivent être respectées afin de minimiser les risques de blessures graves, voire mortelles ou de dégâts matériels.
- Conservez ce manuel. Veuillez ne pas le jeter.

Symboles utilisés dans ce manuel

AVERTISSEMENT

Risques ou manipulations dangereuses susceptibles d'entraîner des blessures graves, voire mortelles.

ATTENTION

Risques ou manipulations dangereuses susceptibles d'entraîner un choc électrique, des blessures physiques ou des dégâts matériels.

REMARQUE

Conseils et consignes utiles

Les icônes et symboles d'avertissement sont là pour minimiser les risques de blessure ; veillez à bien les respecter. Après lecture de cette rubrique, conservez le manuel dans un endroit sûr afin de pouvoir le consulter ultérieurement.

California Proposition 65 Avertissement

AVERTISSEMENT

Cancer et Troubles de l'appareil reproducteur - www.P65Warnings.ca.gov

Commonwealth du Massachusetts

- Cet appareil doit être installé par un plombier certifié ou un monteur d'installations au gaz qualifié ou certifié par l'État du Massachusetts. Lorsque des vannes à bille sont utilisées pour la fermeture du gaz, elles doivent être munies d'une poignée en T. Il ne faut pas connecter plusieurs canalisations de gaz flexibles en série.

Sécurité générale

AVERTISSEMENT

Pour réduire le risque d'incendie, de choc électrique, de blessures et/ou de mort, respectez les précautions suivantes.

- **Ne touchez** à aucune pièce de la table de cuisson, y compris mais sans pour autant s'y limiter, aux brûleurs de la table de cuisson pendant ou immédiatement après la cuisson.
- **Repérez** la vanne de coupure de gaz et la façon de la fermer.
- **Assurez-vous que** les supports de maintien sont correctement installés sur la table de cuisson. Reportez-vous aux consignes d'installation pour plus d'informations.
- **Gardez les enfants éloignés** de la table de cuisson. Ne laissez pas les enfants monter sur la table de cuisson. Ne laissez pas les enfants jouer avec la table de cuisson ni aucune de ses parties. Ne laissez jamais les enfants sans surveillance dans la pièce où est installée la table de cuisson.
- **Retirez** tout élément d'emballage de votre table de cuisson avant de l'utiliser afin d'éviter qu'ils ne prennent feu. Gardez tous les éléments d'emballage hors de la portée des enfants. Jetez correctement les matériaux d'emballage une fois la table de cuisson déballée.
- **N'entrez pas** d'objets susceptibles d'éveiller l'intérêt des enfants sur la table de cuisson ou sur le dossier de cette dernière. Les enfants risquent, en grimpant sur la table de cuisson, de se blesser gravement, voire mortellement.
- **Ne faites pas fonctionner** la table de cuisson si une partie est endommagée, en cas de dysfonctionnement ou si des pièces manquent.
- **N'utilisez pas** la table de cuisson comme moyen de chauffage. Utilisez la table de cuisson uniquement pour la cuisson.
- **Utilisez** uniquement des maniques sèches.
- **N'utilisez pas** la table de cuisson pour chauffer des aliments contenus dans des récipients fermés.
- **Débranchez** la table de cuisson ou **débranchez** le cordon d'alimentation avant de procéder à la réparation.
- Ne stockez jamais des matériaux combustibles (torchons, produits en papier, etc.) ou des aliments emballés ou en boîte en dessous de la table de cuisson et de telle façon qu'ils puissent entrer en contact avec le dessous de la table de cuisson. Ces matériaux combustibles pourraient prendre feu et les aliments emballés ou en boîte pourraient exploser.
- Assurez-vous que le tuyau de gaz n'est pas comprimé ou courbé par des objets lourds. Si cela venait à être le cas, des fuites de gaz ou une combustion incomplète risqueraient de se produire.

- Ne vous appuyez pas sur la table de cuisson. Vous risqueriez d'actionner accidentellement les boutons de commande.
- Ne montez pas sur l'appareil et ne placez pas d'objets (ex. : linge, couvercle de four, bougies allumées, cigarettes allumées, plats, produits chimiques, objets métalliques, etc.) dessus.
 - Cela pourrait entraîner un risque d'électrocution, d'incendie, de défaillance de l'appareil ou de blessures.

Sécurité incendie

AVERTISSEMENT

Pour réduire le risque d'incendie, de choc électrique, de blessures et/ou de mort, respectez les précautions suivantes.

- **N'entrez pas, ne placez ni n'utilisez jamais** des matériaux inflammables ou combustibles tels que du charbon, du papier, du plastique, des maniques, des tissus, des rideaux, de l'essence ou d'autres vapeurs ou liquides inflammables à proximité de la cuisinière.
- **Ne portez jamais** de vêtements amples et des accessoires pendants lorsque vous utilisez la table de cuisson.
- Pour éviter l'accumulation de la graisse, **nettoyez régulièrement** les orifices de ventilation.
- **Ne laissez pas** de maniques ou autres matériaux inflammables toucher un élément chauffant. N'utilisez pas de serviette ou tout autre article volumineux en tissu comme manique.
- **N'utilisez pas** d'eau pour éteindre les flammes de friture. Pour éteindre les flammes de friture, éteignez la source de chaleur et étouffez les flammes à l'aide d'un couvercle hermétique ou en utilisant un extincteur multifonction à poudre ou à mousse.
- **Ne faites pas chauffer** des aliments contenus dans des récipients fermés. L'accumulation de pression pourrait faire exploser le contenant et provoquer des blessures.
- Vérifiez toujours si les brûleurs présentent une combustion normale. Une surchauffe peut provoquer un incendie et une combustion incomplète peut entraîner un empoisonnement au monoxyde de carbone.

Informations importantes relatives à la sécurité

Sécurité liée au gaz

AVERTISSEMENT

Pour réduire le risque d'incendie, de choc électrique, de blessures et/ou de mort, respectez les précautions suivantes.

Vérification des fuites de gaz

- Un test de fuite de l'appareil doit être effectué selon les instructions du fabricant. **N'utilisez pas** de flamme pour vérifier s'il y a des fuites de gaz. Utilisez plutôt un pinceau pour étaler de l'eau savonneuse autour de l'endroit à vérifier. En cas de fuite de gaz, vous verrez au niveau de la fuite de petites bulles dans l'eau savonneuse.

Si vous sentez une odeur de gaz :

- **Fermez la vanne** et n'utilisez pas la table de cuisson.
- **N'allumez pas** d'allumette, de bougie ou de cigarette.
- **N'allumez aucun** appareil au gaz ou électrique.
- **Ne touchez aucun** commutateur électrique et ne branchez pas de cordon d'alimentation sur une prise.
- **N'utilisez pas** de téléphone dans votre immeuble.
- **Évacuez** la pièce, l'immeuble ou le quartier de tous les occupants.
- **Appelez immédiatement** votre fournisseur de gaz avec le téléphone d'un voisin. Suivez les instructions de votre fournisseur de gaz.
- Si vous ne parvenez pas à joindre votre fournisseur de gaz, appelez les pompiers.

Sécurité électrique et mise à la terre

AVERTISSEMENT

Pour réduire le risque d'incendie, de choc électrique, de blessures et/ou de mort, respectez les précautions suivantes.

- Branchez le cordon d'alimentation sur une prise tripolaire reliée à la terre.
- **Ne retirez pas** la broche de mise à la terre.
- **N'utilisez pas** d'adaptateur ni de rallonge.
- **N'utilisez pas** une fiche ou un cordon d'alimentation endommagé(e) ou une prise d'alimentation mal fixée.
- **Ne modifiez** d'aucune manière la fiche, le cordon d'alimentation ou la prise murale.
- **Ne mettez pas** de fusible dans un circuit neutre ou de terre.
- Utilisez un circuit électrique dédié de 120 V, 60 Hz, 20 A (CA) avec fusible pour cette table de cuisson. Il est recommandé d'utiliser un fusible à retardement ou un disjoncteur. Ne branchez pas plusieurs appareils sur ce circuit.
- **Ne branchez pas** le câble de mise à la terre sur des canalisations en plastique ou des conduites de gaz ou d'eau chaude.
- Cette table de cuisson **doit être correctement reliée à la terre**. La mise à la terre réduit le risque de choc électrique, car elle fournit au courant un chemin de sortie en cas de dysfonctionnement ou de panne. Cette table de cuisson est équipée d'un cordon disposant d'une prise de mise à la terre. La fiche doit être branchée sur une prise secteur posée et mise à la terre conformément à la législation en vigueur. Si vous n'êtes pas sûr que la prise soit correctement mise à la terre, consultez un électricien qualifié afin qu'il vérifie.
- Cette table de cuisson est fournie avec une prise tripolaire reliée à la terre. Ce cordon doit être branché dans une prise murale tripolaire mise à la terre et conforme aux normes électriques en vigueur. Si les normes permettent l'utilisation d'un câble de mise à la terre séparé, nous vous recommandons de faire appel à un électricien qualifié afin qu'il détermine le chemin approprié pour ce câble.
- L'installation électrique de la table de cuisson doit être conforme aux codes locaux. En dehors des codes locaux, l'installation électrique doit être conforme à la dernière norme ANSI/NFPA N° 70 - dernière édition (pour les États-Unis) ou au code électrique canadien CSA C22.1 - dernière édition.
- Il relève de la responsabilité du propriétaire de la table de cuisson de fournir une installation électrique conforme.

Sécurité liée à l'installation

⚠ AVERTISSEMENT

Pour réduire le risque d'incendie, de choc électrique, de blessures et/ou de mort, respectez les précautions suivantes.

- Assurez-vous que votre table de cuisson est correctement installée et mise à la terre par un **installateur qualifié**, conformément aux instructions d'installation. L'installation et l'entretien doivent être effectués par des installateurs de tables de cuisson au gaz ou des techniciens de maintenance qualifiés.
- **Ne tentez pas** de réparer, de modifier ni ne remplacer les pièces de la table de cuisson vous-même, sauf si le présent manuel vous y autorise. Toute autre réparation devra être effectuée par un technicien qualifié.
- Utilisez toujours des connecteurs de flexibles neufs lorsque vous installez un appareil à gaz. **N'utilisez pas** d'anciens connecteurs de flexibles.
- **Assurez-vous que** les supports de maintien sont correctement installés sur la table de cuisson. Reportez-vous aux consignes d'installation pour plus d'informations.
- **Retirez** toutes les bandes et les matériaux d'emballage.
- **Retirez** tous les accessoires de la table de cuisson ; les grilles et les grils sont lourds. Soyez prudent lorsque vous les manipulez.
- **Assurez-vous** qu'aucune pièce ne se soit desserrée durant l'expédition.
- **Assurez-vous que** votre table de cuisson est correctement installée et réglée pour le type de gaz que vous allez utiliser (naturel ou GPL) par un installateur qualifié ou un technicien qualifié. Pour que votre table de cuisson puisse fonctionner au GPL, l'installateur doit remplacer les 5 orifices des brûleurs de surface par le kit d'orifices GPL fourni et inverser l'adaptateur du potentiel de mise à la terre (GPR). Ces réglages doivent être effectués par un technicien de maintenance qualifié conformément aux consignes du fabricant ainsi qu'à tous les codes et exigences requises par l'autorité compétente. L'agence qualifiée effectuant ces travaux assume la responsabilité de la conversion de gaz.
- L'installation de cette table de cuisson doit être conforme aux codes locaux ou, en absence de codes locaux, au National Fuel Gas Code (Code national de gaz combustible), ANSI Z223.1/NFPA-54, dernière édition. Au Canada, ce doit être conforme au Natural Gas and Propane Installation Code (Code relatif aux installations de gaz naturel et propane), CSA B149.1. Cette table de cuisson a été certifiée par ETL selon ANSI Z21.1, dernière édition, et par la Canadian Gas Association (l'Association canadienne du gaz) selon CAN/CGA-1.1, dernière édition.

- Assurez-vous que la vanne centrale dispose d'une capacité adéquate et qu'elle n'est pas obstruée.
- Cette table de cuisson doit être installée par un technicien qualifié. En cas de non-respect de ces instructions, des fuites de gaz, un incendie ou un allumage défectueux peuvent survenir.

Sécurité de l'emplacement

⚠ AVERTISSEMENT

Pour réduire le risque d'incendie, de choc électrique, de blessures et/ou de mort, respectez les précautions suivantes.

- Cette table de cuisson est destinée à une utilisation domestique uniquement à l'intérieur. **N'installez pas** la table de cuisson dans des zones exposées aux intempéries et/ou à l'eau.
- **N'installez pas** la table de cuisson à un endroit où elle sera exposée à de forts courants d'air.
- Sélectionnez un emplacement où une prise murale à 3 broches reliée à la terre est facilement accessible.
- Si la table de cuisson est placée à proximité d'une fenêtre, **n'accrochez pas** de longs rideaux ou de stores en papier sur cette fenêtre.
- Pour que la table de cuisson puisse ventiler correctement, le dégagement en haut, à l'arrière, sur les côtés et en dessous de la table de cuisson doit être suffisant. Les orifices de ventilation permettent l'échappement nécessaire à un fonctionnement et à une combustion corrects.
- **Assurez-vous que** les revêtements muraux situés à proximité de la table de cuisson peuvent résister à une chaleur pouvant aller jusqu'à 194 °F (90 °C).
- Un placard de rangement est à éviter au-dessus de la surface de la table de cuisson. Si un placard de rangement est nécessaire au-dessus de la table de cuisson : respectez un dégagement minimum de 30 pouces (76,2 cm) entre la surface de cuisson et le bas des placards.

Informations importantes relatives à la sécurité

Sécurité liée à la table de cuisson

AVERTISSEMENT

Pour réduire le risque d'incendie, de choc électrique, de blessures et/ou de mort, respectez les précautions suivantes.

- Sélectionnez des ustensiles qui sont conçus pour la cuisson en surface de la cuisinière. Utilisez des ustensiles suffisamment grands pour couvrir la grille du brûleur. Ajustez les flammes du brûleur de sorte qu'elles ne s'étendent pas au-delà du fond de l'ustensile.
- **Assurez-vous que** tous les brûleurs sont éteints lorsqu'ils ne sont pas utilisés.
- **N'utilisez pas** de feuille d'aluminium pour revêtir les grilles ou toute autre partie de la table de cuisson.
- **Ne laissez pas** les brûleurs sans surveillance lors de réglages moyen ou élevé.
- Préalablement à l'allumage, **assurez-vous que** tous les chapeaux de brûleurs sont correctement en place et que tous les brûleurs sont de niveau.
- **Utilisez toujours** la position LITE (ALLUMAGE) pour allumer les brûleurs et assurez-vous qu'ils sont allumés. Si l'allumage échoue, tournez le bouton sur OFF (ARRÊT) et attendez que le gaz se dissipe.
- Lorsque vous réglez un brûleur sur mijotage, **ne tournez pas** le bouton rapidement. Assurez-vous que la flamme reste allumée.
- **Ne placez** aucun objet autre qu'un ustensile de cuisine sur la surface de cuisson.
- Cette surface de cuisson est conçue pour cuisiner avec un wok ou un anneau wok. Si vous faites flamber des aliments, faites-le sous une hotte de ventilation allumée.
- Avant de retirer ou de changer d'ustensile de cuisson, éteignez les brûleurs.
- Retirez les aliments et les ustensiles de cuisson immédiatement après la cuisson.
- Avant de retirer des parties du brûleur pour le nettoyage, assurez-vous que la table de cuisson est éteinte et complètement froide.
- Après nettoyage du diffuseur du brûleur, **assurez-vous** qu'il est complètement sec avant de le réassembler.
- Pour éviter l'empoisonnement par monoxyde de carbone, **ne versez pas** d'eau sur la table de cuisson lors du nettoyage.
- Pour éviter la décoloration des ustensiles, leur déformation et/ou l'empoisonnement par monoxyde de carbone, **n'utilisez pas** d'ustensiles beaucoup plus grands que la grille.
- **Assurez-vous** que les manches d'ustensiles sont dirigées vers les côtés ou l'arrière de la table de cuisson, et non au-dessus des brûleurs de surface.
- Tenez-vous éloigné de la table de cuisson lorsque vous faites de la friture.

- Chauffez toujours lentement les huiles de friture et observez-les lorsqu'elles chauffent. Si vous faites frire des aliments à température élevée, observez attentivement le processus de cuisson. Si vous devez utiliser un mélange de graisses ou d'huiles pour frire, mélangez-les avant de les chauffer.
- Utilisez un thermomètre à friture si possible. Cela évite que l'huile ou la graisse soit chauffée au-delà du point de fumée.
- Employez une quantité minimale d'huile dans une poêle peu profonde ou une friteuse. Évitez de faire cuire les aliments décongelés ou avec des quantités excessives de glace.
- Avant de déplacer les ustensiles pleins de graisse ou d'huile, assurez-vous qu'ils sont complètement refroidis.
- Pour éviter une ébullition à retardement des liquides, laissez-les toujours reposer au moins une vingtaine de secondes une fois le brûleur éteint, ceci afin de permettre à la température de se stabiliser. En cas d'accident, effectuez les gestes de premiers secours suivants :
 1. Immergez la zone brûlée dans de l'eau froide ou tiède pendant au moins 10 minutes ;
 2. N'appliquez aucune crème, huile ou lotion ;
 3. Recouvrez-la d'un tissu propre et sec.
- Si une coupure de courant survient ou si l'allumage électrique ne fonctionne pas, n'utilisez pas d'allumettes ou de briquets pour allumer les brûleurs. Vous risqueriez de provoquer un incendie ou des brûlures physiques.
- Ne placez pas et n'utilisez pas de dispositifs de cuisson électriques (tels que des cuiseurs de riz IH ou des systèmes de chauffe pour cuisson de bureau) par-dessus votre table de cuisson. Les forces électromagnétiques générées par ces appareils peuvent entraîner le dysfonctionnement de la table de cuisson.

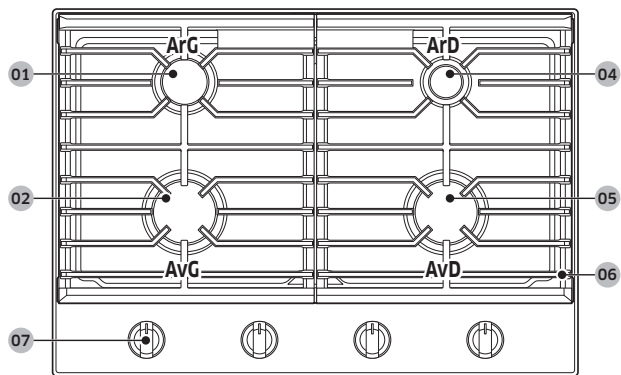
ATTENTION

Si la table de cuisson est installée au-dessus d'un four, n'utilisez pas la table de cuisson lorsque la fonction d'auto-nettoyage du four est activée.

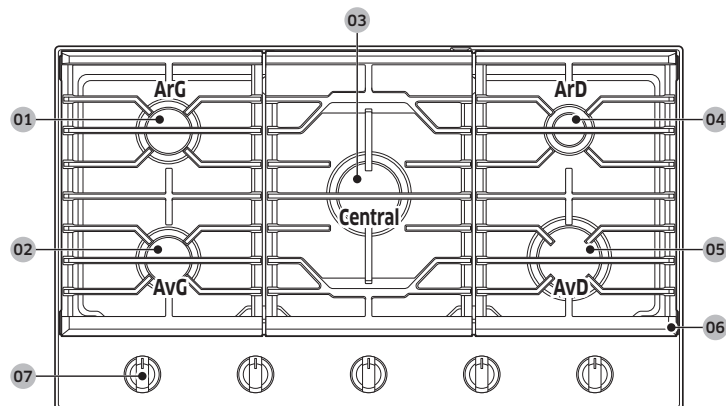
Présentation

Disposition

Modèle 30" : NA30*5310F*



Modèle 36" : NA36*5310F*



- 01** Brûleurs semi-rapides arrière gauche 10000 BTU
- 02** Avant gauche
NA30*5310F* : Brûleur rapide 13000 BTU
NA36*5310F* : Brûleur semi-rapide 10000 BTU
- 03** Brûleur rapide central (NA36*5310F*) 17000 BTU
- 04** Brûleur de mijotage arrière droit 5000 BTU
- 05** Brûleur rapide avant droit
NA30*5310F* : 17000 BTU
NA36*5310F* : 13000 BTU
- 06** Grille
NA30*5310F* : 2
NA36*5310F* : 3
- 07** Boutons des brûleurs de surface
NA30*5310F* : 4 boutons
NA36*5310F* : 5 boutons

Présentation

À chaque brûleur correspond un bouton qui vous permet de régler le niveau de la flamme de LO (FAIBLE) à HI (FORT). De plus, chaque bouton de brûleur possède un réglage Lite (Allumage). Si vous tournez un bouton sur la position Lite (Allumage), le brûleur correspondant s'allume. Les indicateurs de brûleur sont situés au-dessus de chaque bouton et indiquent le brûleur commandé par le bouton. Chaque brûleur est destiné à un usage de cuisson spécifique. Voir le tableau ci-dessous.

Modèle 30" : NA30*5310F*

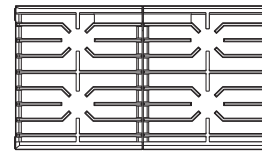
Brûleur	Fonction	Type d'aliment	Caractéristiques
Semi-rapide (ArG)	Chauffage général / Mijotage lent	Aliments en général, plats mijotés	Cuisson en général
Mijotage (ArD)	Mijotage à basse température	Chocolat, casseroles, sauces	Aliments délicats qui nécessitent une faible température pendant une longue durée.
Rapide (AvG, AvD)	Cuisson rapide	Général	Cuisson en général

Modèle 36" : NA36*5310F*

Brûleur	Fonction	Type d'aliment	Caractéristiques
Semi-rapide (AvG, ArG)	Chauffage général / Mijotage lent	Aliments en général, plats mijotés	Cuisson en général
Mijotage (ArD)	Mijotage à basse température	Chocolat, casseroles, sauces	Aliments délicats qui nécessitent une faible température pendant une longue durée.
Rapide (Central, AvD)	Cuisson rapide	Général	Cuisson en général

Accessoires fournis

Modèle 30" : NA30*5310F*

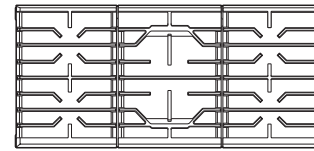


Grilles du brûleur de surface (2) *



Brûleurs de surface et chapeaux de brûleurs (4) *

Modèle 36" : NA36*5310F*



Grilles du brûleur de surface (3) *



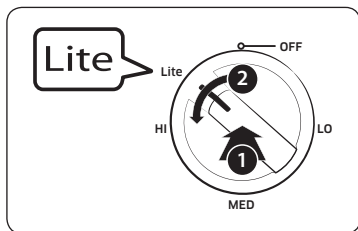
Brûleurs de surface et chapeaux de brûleurs (5) *

REMARQUE

Si vous souhaitez acheter un accessoire repéré par un astérisque (*), vous pouvez le commander auprès du Centre d'assistance Samsung (1-800-SAMSUNG (726-7864)).

Utilisation des brûleurs de la table de cuisson

Allumage



Assurez-vous que tous les brûleurs de la table de cuisson sont correctement installés. Pour allumer un brûleur :

1. Enfoncez et tournez le bouton de commande sur la position Lite (Allumage). Le système d'allumage électronique fonctionne correctement si vous entendez un « clic ».
2. Une fois le brûleur de la table de cuisson allumé, tournez le bouton de commande pour le dégager de la position Lite (Allumage) ce qui coupera le système d'allumage électronique.
3. Tournez le bouton de commande pour ajuster le niveau de la flamme.

Allumage manuel

En cas de panne de courant, vous pouvez allumer le brûleur manuellement. Dans ce cas, soyez prudent.

1. Approchez un allume-gaz du brûleur de la table de cuisson que vous souhaitez allumer.
2. Enfoncez et tournez le bouton de commande correspondant à ce brûleur sur la position Lite (Allumage). Approchez un allume-gaz du brûleur pour l'allumer.
3. Lorsque le brûleur est allumé, tournez le bouton de commande pour ajuster le niveau de la flamme.

Niveau de flamme

Les flammes des brûleurs doivent toujours rester sous l'ustensile et ne doivent jamais s'étendre en dehors du fond de l'ustensile.

⚠ AVERTISSEMENT

- Des flammes dépassant le fond de l'ustensile peuvent provoquer un incendie ou une blessure.
- Lorsque vous réglez un brûleur sur mijotage, ne tournez pas le bouton rapidement. Observez la flamme pour vérifier qu'elle reste allumée.
- Après avoir allumé un brûleur de surface, vérifiez qu'il s'enflamme. Ajustez le niveau de la flamme en tournant le bouton du brûleur.
- Éteignez toujours les commandes des brûleurs de surface avant de retirer la casserole. Toutes les commandes de brûleurs de surface doivent être désactivées si vous ne cuisinez pas.
- Éteignez toujours les brûleurs avant de vous coucher ou de quitter la maison.
- Si vous sentez une odeur de gaz, éteignez le gaz de la table de cuisson et appelez un technicien de maintenance qualifié. N'utilisez JAMAIS de flamme nue pour localiser une fuite de gaz.
- Si vous tournez le bouton mais que le brûleur de surface ne s'allume pas, éteignez immédiatement le bouton de commande.
- N'utilisez pas le brûleur pendant une période prolongée sans placer de récipient sur la grille. La finition de la grille peut s'effriter si vous ne placez pas de récipient pour absorber la chaleur.
- Assurez-vous que les brûleurs et les grilles sont froids avant de placer vos mains, une manique, des chiffons ou d'autres éléments dessus.

Utilisation des brûleurs de la table de cuisson

Récipient

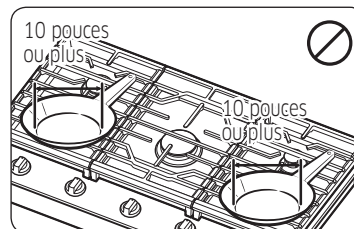
Exigences

- Fond plat et bords droits
- Couvercle hermétique
- Bien équilibré avec la poignée plus légère que la partie principale de la casserole ou de la poêle.

Caractéristiques du matériau

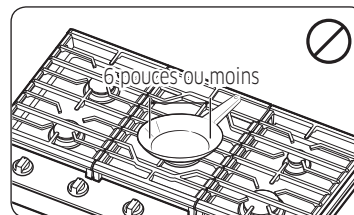
- **Aluminium** : un excellent conducteur thermique. Certains types d'aliments font noircir l'aluminium. Toutefois, les ustensiles en aluminium anodisé résistent aux taches et aux piqûres.
- **Cuivre** : un excellent conducteur thermique mais se décolore facilement.
- **Acier inoxydable** : un conducteur thermique lent entraînant une cuisson inégale mais il est durable, facile à nettoyer et résistant aux taches.
- **Fonte** : un mauvais conducteur, mais conserve très bien la chaleur.
- **Émail** : les caractéristiques de chauffage varient en fonction du matériau de base.
- **Verre** : un conducteur thermique lent. Utilisez uniquement des ustensiles en verre qui sont spécifiés pour une cuisson sur table de cuisson ou pour une utilisation dans un four.
- **Vitrocéramique thermorésistante** : À utiliser pour une cuisson sur une surface ou dans le four. Elle conduit la chaleur très lentement et refroidit très lentement également. Consultez les consignes du fabricant des ustensiles pour vous assurer qu'ils peuvent être utilisés sur une table de cuisson au gaz.

Limitations de taille



⚠ ATTENTION

- Ne placez pas de casserole ou de plat avec un fond d'un diamètre d'environ 10 pouces ou plus sur le brûleur avant droit ou avant gauche.



⚠ ATTENTION

- Ne placez pas de casserole ou de plat avec un fond d'un diamètre d'environ 6 pouces ou moins sur la grille centrale. Cet ustensile peut basculer. Utilisez les brûleurs arrière pour les ustensiles de petite taille.
- Vérifiez toujours que les manches d'ustensiles sont dirigés vers les côtés ou l'arrière de la table de cuisson, et non au-dessus des brûleurs de surface. Cela minimisera le risque de brûlure, d'éclaboussures et d'inflammation de matières inflammables qui peuvent survenir si des casseroles et des pots sont renversés par accident.
- Si vous utilisez des ustensiles en verre, assurez-vous qu'ils sont conçus pour la cuisson avec une table de cuisson.
- Ne posez jamais d'objets en plastique sur la table de cuisson. Ils peuvent fondre ou prendre feu. Faire chauffer un récipient en plastique hermétique peut entraîner l'accumulation de pression dangereuse, pouvant provoquer l'explosion du récipient.
- Lors de la cuisson, veillez à tenir la poignée d'un wok ou l'anse d'un petit récipient.

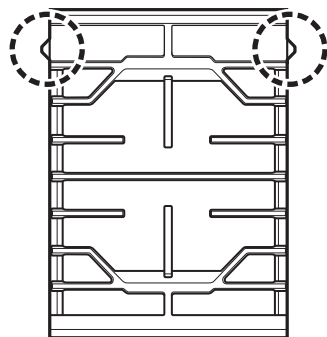
Installation des grilles

REMARQUE

Installez les grilles comme indiqué ci-dessous pour optimiser leur durée de vie. Lorsqu'elles sont installées correctement, les ouvertures sur les grilles sont centrées par-dessus les brûleurs. Les trois grilles de la table de cuisson sont conçues pour s'insérer à des emplacements spécifiques sur la table de cuisson. Pour une stabilité optimale, ces grilles doivent être utilisées uniquement à leurs emplacements appropriés.

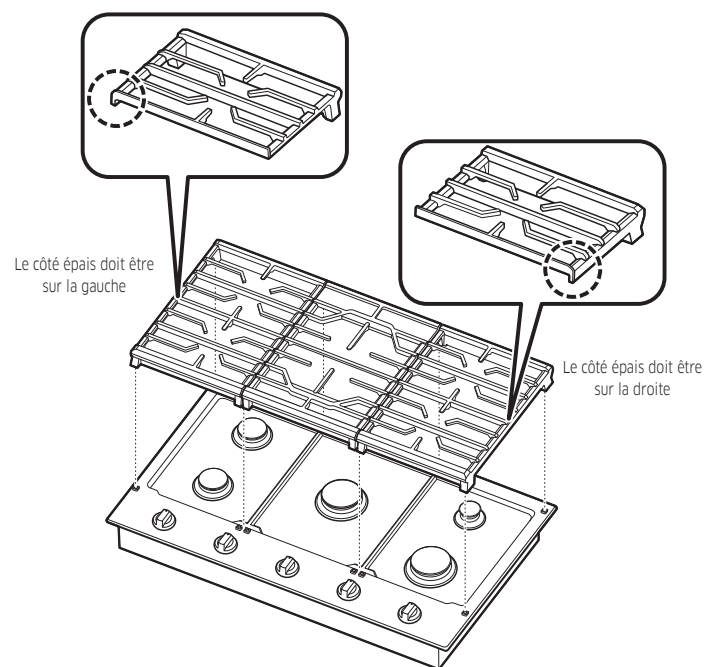
- Placez les grilles gauche et droite de manière à ce que le côté épais de la grille droite soit aligné avec le côté droit de la table de cuisson et que le côté épais de la grille gauche soit aligné avec le côté gauche de la table de cuisson.
- La grille centrale doit être installée avec la partie pleine, portant la mention « BACK (ARRIÈRE) », orientée vers l'arrière de la table de cuisson.

La grille centrale dispose de deux débords pour vous aider à bien distinguer les grilles latérales. Les débords heurtent les grilles latérales si vous installez ces dernières dans le mauvais sens ou du mauvais côté. Reportez-vous à l'illustration ci-dessous.



Pour remplacer correctement les grilles, procédez comme suit :

1. Orientez la grille centrale comme indiqué dans les instructions de gauche.
2. Abaissez délicatement les pieds de la grille centrale de sorte qu'ils se placent dans les orifices de la grille centrale sur la table de cuisson.
3. Orientez les grilles gauche et droite de manière à ce que le côté épais de la grille droite soit aligné avec le côté droit de la table de cuisson et que le côté épais de la grille gauche soit aligné avec le côté gauche de la table de cuisson.
4. Abaissez doucement les pieds de la grille droite dans les orifices correspondants sur la table de cuisson. Recommencez la procédure avec la grille gauche. Une fois les grilles installées correctement, aucune d'entre elles ne doit être en contact avec les débords sur la grille centrale.



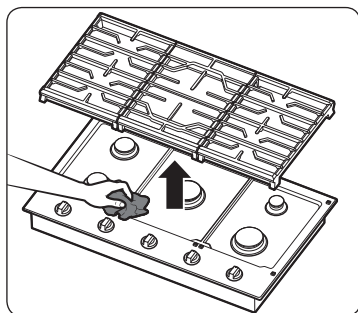
Entretien et nettoyage de la table de cuisson

⚠ AVERTISSEMENT

Avant de nettoyer une quelconque partie de la table de cuisson, assurez-vous que le cordon d'alimentation est débranché et que toutes les surfaces sont froides. Si le cordon d'alimentation est inaccessible, coupez l'alimentation de la table de cuisson sur le disjoncteur ou la boîte à fusibles.

Surface de la table de cuisson

Nous vous recommandons de retirer immédiatement les aliments renversés.



1. Éteignez tous les brûleurs de surface.
2. Patientez jusqu'à ce que toutes les grilles des brûleurs soient refroidies avant de les retirer.
3. Nettoyez la surface de la table de cuisson à l'aide d'un chiffon doux. Si des aliments renversés s'écoulent dans les fentes des composants d'un brûleur, retirez le chapeau et la tête du brûleur puis essuyez les salissures.
4. Lorsque le nettoyage est terminé, réinsérez les composants des brûleurs, puis repositionnez les grilles des brûleurs.

Surfaces en émail vitrifié (sur certains modèles)

La finition en émail vitrifié est solide mais cassable si la surface est mal utilisée. Cette finition est résistante à l'acide. Cependant, tous les aliments acides avec une forte teneur en sucre (tels que les fruits, les jus, les tomates ou le vinaigre) ne doivent pas rester posés sur la finition.

Si des aliments acides sont renversés sur la table de cuisson alors qu'elle est chaude, éteignez tous les brûleurs puis utilisez une serviette en papier sèche ou un chiffon sec pour essuyer immédiatement les aliments renversés. Lorsque la surface a refroidi, nettoyez-la avec un nettoyant toutes surfaces et de l'eau. Rincez abondamment. Pour les autres déversements tels que les éclaboussures de graisses, nettoyez la table de cuisson avec du savon et de l'eau, ou avec un nettoyant toutes surfaces après avoir laissé refroidir la surface. Rincez abondamment. Lustrez avec un chiffon sec.

Surfaces en acier inoxydable (sur certains modèles)

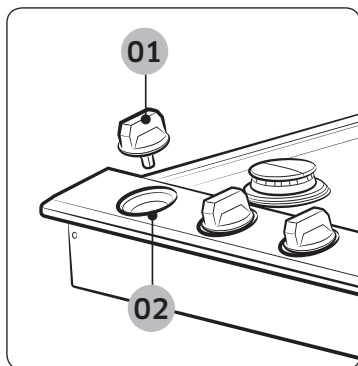
1. Retirez toutes les traces de projections, les taches et la graisse à l'aide d'un chiffon doux humide.
2. Appliquez un nettoyant adapté à l'acier inoxydable sur un chiffon ou une serviette en papier.
3. Nettoyez une petite zone à la fois, en frottant si possible l'inox dans le sens du grain.
4. Une fois terminé, séchez la surface à l'aide d'un chiffon doux et sec.
5. Répétez les étapes 2 à 4 autant de fois que nécessaire.

⚠ ATTENTION

- N'utilisez pas un tampon à récurer métallique ni un nettoyant abrasif susceptible de rayer ou d'endommager la surface.
- Ne retirez pas la surface de la table de cuisson pour la nettoyer. Les conduits de gaz alimentant les coupelles de brûleurs peuvent être endommagés entraînant un incendie ou une défaillance du système.
- Lors du nettoyage de la table de cuisson, ne versez pas d'eau sur celle-ci. L'eau pourrait couler dans les systèmes d'alimentation en gaz et dans les circuits électriques de la table de cuisson entraînant un risque d'électrocution ou un niveau élevé de monoxyde de carbone dû à la corrosion des vannes et orifices de gaz.
- Ne vaporisez aucun type d'agent nettoyant dans les orifices de la coupelle. Le système d'allumage est situé dans ces orifices et doit rester hors humidité.
- Ne nettoyez pas la table de cuisson et les parties en acier inoxydable avec :
 - Une solution d'alcali caustique (hydroxyde de sodium) ou des produits de nettoyage contenant ce produit chimique ;
 - Des tampons à récurer métalliques ou durs ;
 - Des matériaux ou des produits chimiques abrasifs.

Boutons de commande

Assurez-vous que tous les boutons des brûleurs de surface soient sur la position **OFF (ARRÊT)**.



- 01 Saisissez chaque bouton et tirez-le vers le haut bien à la verticale pour le retirer.
- 02 Versez du produit de protection. Ne l'enlevez pas.

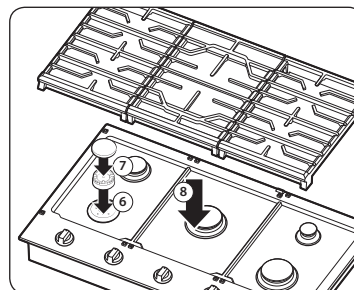
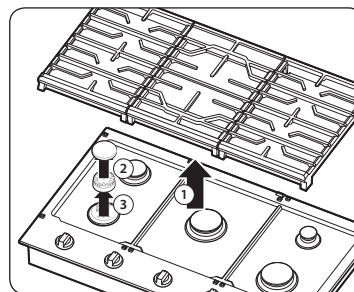
1. Retirez les boutons sur les tiges des vannes de commande.
2. Nettoyez les boutons à l'eau chaude savonneuse. Puis rincez-les et séchez-les complètement.
3. Nettoyez les surfaces en acier inoxydable à l'aide d'un agent nettoyant pour acier inoxydable.
4. Réinstallez les boutons sur les tiges des vannes de commande en position **OFF (ARRÊT)**.

⚠ ATTENTION

- Ne lavez pas les boutons de commande dans un lave-vaisselle.
- Ne vaporisez pas de produits de nettoyage directement sur le tableau de commande. L'humidité pénétrant dans les circuits électriques peut provoquer un choc électrique ou endommager l'appareil.

Grilles et composants des brûleurs

Éteignez tous les brûleurs de surface et assurez-vous qu'ils ont tous refroidi.



1. Retirez les grilles des brûleurs.
2. Retirez les chapeaux des brûleurs des têtes de brûleurs.
3. Retirez les têtes de brûleurs des coupelles pour dégager les électrodes de démarrage.
4. Nettoyez toutes les grilles amovibles et les composants du brûleur à l'eau chaude savonneuse. N'utilisez pas de tampons à récurer métalliques ni de nettoyants abrasifs.
5. Rincez et séchez complètement les grilles et les composants des brûleurs.
6. Repositionnez les têtes des brûleurs sur les coupelles. Assurez-vous que l'électrode de démarrage est insérée dans l'orifice de chaque tête de brûleur.

REMARQUE

Reportez-vous aux pages 18, 19 et 20 pour connaître les instructions détaillées de réassemblage des composants des brûleurs.

7. Repositionnez les chapeaux des brûleurs au-dessus des têtes des brûleurs. Pour garantir un fonctionnement correct et en toute sécurité, assurez-vous que les chapeaux des brûleurs portent à plat au-dessus des têtes de brûleurs.
8. Réinstallez les grilles des brûleurs sur leur emplacement respectif.
9. Allumez chaque brûleur et vérifiez qu'il fonctionne correctement. Après avoir vérifié qu'un brûleur fonctionne normalement, éteignez-le.

Entretien et nettoyage de la table de cuisson

Chapeaux et têtes des brûleurs

REMARQUES

Avant de retirer les chapeaux et les têtes des brûleurs, mémorisez leur taille et leur emplacement. Réinstallez-les au même endroit qu'avant le nettoyage.

Nettoyez les chapeaux et les têtes des brûleurs à l'eau chaude savonneuse, puis rincez-les à l'eau courante propre. Vous pouvez les frotter avec un tampon à récupérer en plastique pour éliminer les particules d'aliments brûlés.

Utilisez une aiguille à coudre ou vrillez une ficelle pour déboucher les petits trous dans la tête du brûleur, si nécessaire.

ATTENTION

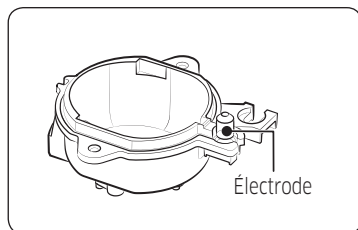
- Ne nettoyez aucune partie des brûleurs au lave-vaisselle.
- N'utilisez pas de paille de fer ou de poudres à récurer pour nettoyer les brûleurs.

Bases des brûleurs

ATTENTION

Les bases des brûleurs ne peuvent pas être retirées pour le nettoyage.

Base du brûleur circulaire



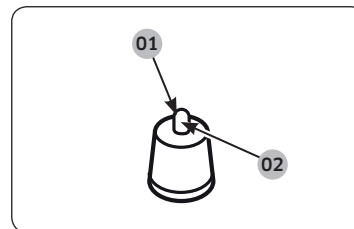
Assurez-vous de ne pas laisser d'eau pénétrer dans les bases des brûleurs et dans les orifices de gaz en laiton.

Essuyez et nettoyez-les à l'aide d'un chiffon humide. Faites attention à ne pas rayer, déformer ou endommager les bases. Laissez-les sécher complètement avant de les utiliser.

Électrodes

ATTENTION

N'essayez pas de retirer l'électrode de la table de cuisson ou des bases des brûleurs.



- 01 Nettoyez cette partie métallique.
- 02 Ne nettoyez pas cette partie en céramique blanche avec une plaque d'aiguillage.

Veillez à ne pas presser l'une des commandes de la table de cuisson pendant son nettoyage. Un léger choc électrique peut résulter et pourrait vous faire tomber sur un ustensile chaud.

Assurez-vous que les électrodes en céramique blanche sur la table de cuisson sont propres et sèches. Nettoyez la partie métallique de l'électrode avec un chiffon doux. N'utilisez pas d'eau pour nettoyer les igniteurs.

Avant de réassembler les brûleurs de surface, appuyez doucement sur chaque électrode en céramique blanche pour vous assurer qu'elles sont poussées contre les bases des brûleurs.

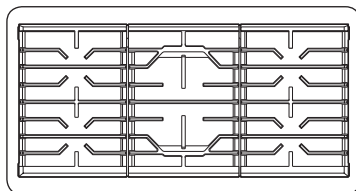
REMARQUE

N'essayez pas de retirer l'électrode de la table de cuisson.

Grilles

ATTENTION

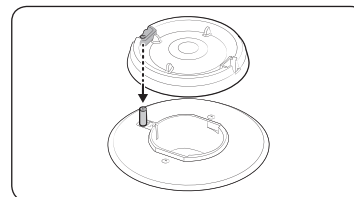
Ne nettoyez pas les grilles au lave-vaisselle. Cela les endommagerait.



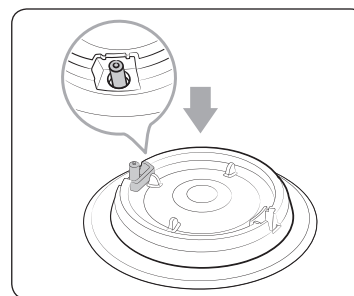
Une fois qu'elles ont refroidi, soulevez les grilles pour les sortir. Les grilles doivent être nettoyées régulièrement et après tout déversement. Nettoyez-les à l'eau chaude savonneuse et rincez-les avec de l'eau propre. Lorsque vous réinstallez les grilles, assurez-vous qu'elles sont solidement positionnées par-dessus les brûleurs.

Remplacement des chapeaux et têtes des brûleurs

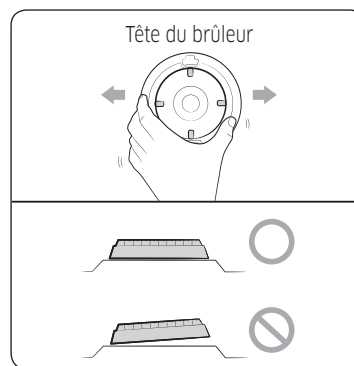
Tête des brûleurs circulaires



1. Orientez la tête du brûleur afin que l'ouverture pour l'électrode soit alignée avec l'électrode.



2. Installez la tête du brûleur afin que l'électrode passe à travers l'ouverture destinée à l'électrode. Assurez-vous que la tête du brûleur porte bien à plat sur le dessus de la cuisinière.

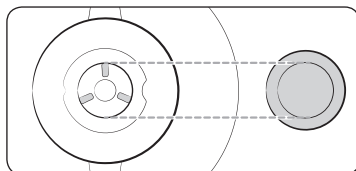


ATTENTION

Assurez-vous que tous les composants des brûleurs (têtes et chapeaux) sont correctement réinstallés. Ils seront stables et reposeront à plat lorsqu'ils seront correctement positionnés.

Entretien et nettoyage de la table de cuisson

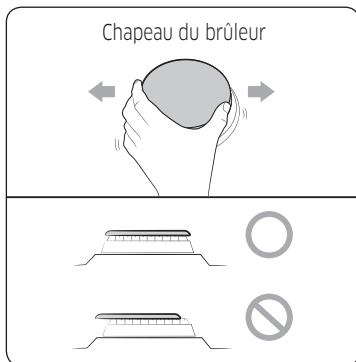
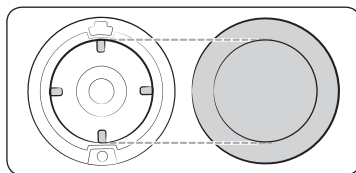
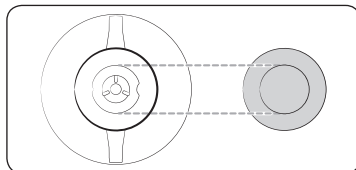
Chapeau du brûleur



1. Faites correspondre les chapeaux des brûleurs avec les brûleurs par taille, puis réinstallez les chapeaux sur les têtes des brûleurs.

⚠ ATTENTION

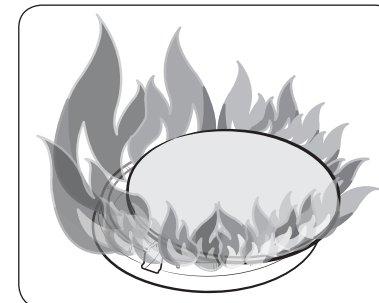
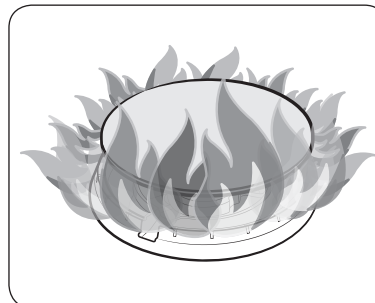
Assurez-vous que chaque chapeau est réinstallé sur la bonne tête de brûleur, qu'il est centré sur la tête du brûleur et qu'il porte bien à plat.



⚠ ATTENTION

Assurez-vous que tous les composants des brûleurs (têtes et chapeaux) sont correctement réinstallés. Ils seront stables et reposeront à plat lorsqu'ils seront correctement positionnés.

REMARQUE



Après avoir réinstallé les brûleurs de surface, allumez chacun d'entre eux pour vérifier qu'ils fonctionnent tous correctement.

Un mauvais placement de la tête ou du chapeau d'un brûleur entraînera un allumage défaillant ou des flammes inégales (comme indiqué sur les illustrations).

Dépannage

Si vous rencontrez un problème avec la table de cuisson, consultez les tableaux commençant ci-dessous puis essayez les actions suggérées.

Points à contrôler

Sécurité liée au gaz

Problème	Cause possible	Action
Vous sentez une odeur de gaz.	Le bouton du brûleur de surface n'est pas sur la position OFF (ARRÊT) et le brûleur n'est pas allumé.	Tournez le bouton du brûleur sur la position OFF (ARRÊT) .
	Il y a une fuite de gaz.	Évacuez la pièce, l'immeuble ou le quartier de tous les occupants. Appelez immédiatement votre fournisseur de gaz à partir du téléphone d'un voisin. N'appellez pas de votre ligne fixe. Elle est électrique et pourrait provoquer une étincelle qui risque d'enflammer le gaz. Suivez les instructions de votre fournisseur de gaz. Si vous ne parvenez pas à joindre votre fournisseur de gaz, appelez les pompiers.

Brûleur de surface

Problème	Cause	Action
Tous les brûleurs ne s'allument pas.	Le cordon d'alimentation n'est pas correctement branché sur la prise murale.	Assurez-vous que la fiche électrique est branchée sur une prise en état de marche et correctement mise à la terre.
	Un fusible de votre habitation est peut-être grillé ou le disjoncteur peut être déclenché.	Remplacez le fusible concerné ou réenclenchez le disjoncteur.
	Le tuyau d'arrivée de gaz n'est pas correctement branché ou ouvert.	Reportez-vous aux instructions d'installation fournies avec votre table de cuisson.

Problème	Cause	Action
Les brûleurs de surface ne s'allument pas.	Le bouton de commande n'est pas correctement réglé.	Enfoncez et tournez le bouton de commande sur la position Lite (Allumage).
	Les chapeaux des brûleurs ne sont pas correctement positionnés. La base des brûleurs n'est pas correctement alignée.	Nettoyez les électrodes. Placez le chapeau de brûleur sur la tête du brûleur. Alignez la base des brûleurs.
Un brûleur émet un clic pendant le fonctionnement.	Le bouton de commande a été laissé sur la position Lite (Allumage).	Lorsque le brûleur s'allume, tournez le bouton de commande sur le réglage souhaité. Si le brûleur continue à émettre un clic, contactez un technicien de maintenance.
Les brûleurs ne brûlent pas de façon homogène.	Les composants et les caches des brûleurs de surface n'ont pas été correctement assemblés et mis à niveau.	Reportez-vous aux pages 19 et 20.
	Les brûleurs de surface sont sales.	Nettoyez les composants des brûleurs de surface. (Reportez-vous aux pages 16 et 17.)
Les flammes du brûleur de surface sont très larges ou jaunes.	Le mauvais orifice de brûleur est installé.	Vérifiez la taille de l'orifice du brûleur. Contactez votre installateur si vous n'avez pas le bon orifice (GPL au lieu de gaz naturel ou gaz naturel au lieu de GPL).

Garantie (États-Unis)

VEUILLEZ NE PAS JETER.

Table de cuisson AU GAZ SAMSUNG

GARANTIE LIMITÉE POUR L'ACHETEUR INITIAL AVEC PREUVE D'ACHAT

Ce produit de la marque SAMSUNG, fourni et distribué par SAMSUNG ELECTRONICS AMERICA INC. (SAMSUNG) et livré neuf, dans son carton d'origine à l'acheteur et consommateur initial, s'accompagne d'une garantie de SAMSUNG contre tout vice de fabrication au niveau des pièces et de la main d'oeuvre pendant une période limitée, commençant à la date d'achat initial, de :

Un (1) an (pièces et main d'oeuvre)

La présente garantie limitée ne s'applique qu'aux produits achetés et utilisés au sein des États-Unis et ayant été installés, utilisés et entretenus conformément aux instructions jointes ou fournies avec le produit. Pour se prévaloir du service de garantie, l'acheteur doit contacter SAMSUNG à l'adresse ou au numéro de téléphone fournis ci-dessous afin d'établir les procédures relatives au diagnostic et à l'intervention nécessaire. Le service de garantie ne peut être assuré que par un service technique agréé SAMSUNG. La facture datée et originale doit être présentée sur demande comme preuve d'achat à SAMSUNG ou au service technique agréé SAMSUNG pour pouvoir bénéficier du service de garantie.

SAMSUNG vous assure un service de réparation à domicile au sein des États-Unis contigus pendant la période de garantie et ce gratuitement, sous réserve de disponibilité des agents agréés du service technique SAMSUNG dans la zone géographique du client. Si le service de réparation à domicile n'est pas disponible, SAMSUNG peut organiser, à sa seule discrétion, le transport du produit vers ou depuis un centre technique agréé. Si le produit se trouve dans une zone où la réparation par un agent agréé du service technique SAMSUNG n'est pas disponible, il se peut que vous deviez vous acquitter de frais de transport ou apporter le produit dans un service technique agréé SAMSUNG pour faire la réparation.

Pour bénéficier du service de réparation à domicile, vous devez veiller à ce que le produit soit dépourvu d'obstacle accessible à l'agent de maintenance.

Pendant la période de garantie applicable, le produit sera réparé, remplacé ou remboursé à la valeur de son prix d'achat, à la seule discrétion de SAMSUNG. SAMSUNG peut être amenée à utiliser des pièces neuves ou reconditionnées lors de la réparation du produit, ou à remplacer le produit par un produit neuf ou reconditionné. Les pièces et produits de rechange sont garantis pendant la partie restante de la garantie initiale du produit ou alors pendant quatre-vingt-dix (90) jours, selon la période qui est la plus longue. Toute pièce ou tout produit remplacé devient la propriété de SAMSUNG et vous devez les restituer à SAMSUNG.

La présente garantie limitée couvre les défauts de fabrication au niveau des pièces et de la main-d'oeuvre survenant dans le cadre d'un usage domestique normal, non commercial de ce produit et ne couvre pas les situations suivantes : dommages survenant au cours de l'expédition, la livraison, l'installation et l'utilisation de l'appareil qui serait contraire au but auquel il était destiné ; dommages causés par une modification ou altération non autorisée du produit ; produits dont le numéro de série initial apposé en usine a été effacé, déformé, modifié d'une quelconque façon ou est illisible ; dommages de nature esthétique notamment les rayures, piqûres, éclats et autres dommages sur la finition du produit ; dommages causés par un abus, un usage inapproprié, des infestations d'insectes, un accident, un incendie, des inondations, ou d'autres catastrophes naturelles ; dommages causés par l'utilisation de matériel, utilitaires, services, pièces, fournitures, accessoires, applications, installations, réparations, câblage externe ou connecteurs non fournis ou non autorisés par SAMSUNG ; dommages causés par un courant de phase ou une tension électrique incorrect(e), des fluctuations et surtensions ; dommages causés par le non-respect des instructions d'utilisation et de maintenance du produit ; instructions à domicile sur la bonne utilisation de votre produit ; et interventions visant à corriger une installation qui n'est pas conforme aux normes d'électricité et de plomberie ou à corriger les raccordements électriques ou de plomberie du domicile (c.-à-d. câblage du domicile, fusibles, ou tuyaux d'arrivée d'eau). En outre, la présente garantie limitée ne prend pas en charge les dommages de la table de cuisson vitrée causés par (i) l'utilisation de produits et de tampons nettoyants non recommandés ou (ii) les éclaboussures durcies de sucre ou de plastique fondu qui n'auraient pas été nettoyées selon les instructions fournies dans le manuel d'entretien et d'utilisation.

Le coût des réparations ou du remplacement dans de telles circonstances exclues sera à la charge au client.

Les interventions par un réparateur agréé visant à expliquer les fonctions de l'appareil ou les procédures de maintenance ou d'installation ne sont pas couvertes par la présente garantie limitée. Veuillez communiquer avec SAMSUNG au numéro indiqué ci-dessous pour obtenir de l'aide sur l'un de ces problèmes.

EXCLUSION DE GARANTIES IMPLICITES

LES GARANTIES IMPLICITES, Y COMPRIS LES GARANTIES IMPLICITES DE QUALITÉ MARCHANDE OU D'APTITUDE À UN USAGE PARTICULIER, SONT LIMITÉES À UN AN OU À LA PLUS COURTE PÉRIODE AUTORISÉE PAR LA LOI. Certains États et certaines juridictions n'autorisent pas de limitations quant à la durée des garanties implicites ; il se peut par conséquent que les limitations et exclusions énoncées ci-dessus ne s'appliquent pas à votre cas. Cette garantie vous confère des droits spécifiques ; il est donc possible que vous bénéficiiez d'autres droits qui varieront d'une juridiction à une autre.

LIMITATION DE RECOURS

VOTRE SEUL ET EXCLUSIF RECOURS EST LA RÉPARATION DU PRODUIT, LE REMPLACEMENT DU PRODUIT, OU LE REMBOURSEMENT DE SON PRIX D'ACHAT À LA SEULE DISCRÉTION DE SAMSUNG, COMME PROPOSÉ DANS LA PRÉSENTE GARANTIE LIMITÉE. SAMSUNG NE SAURA ÊTRE TENU RESPONSABLE EN CAS DE DOMMAGES ACCESSOIRES, INDIRECTS OU SPÉCIAUX, NOTAMMENT MAIS SANS POUR AUTANT S'Y LIMITER LE TEMPS PRIS SUR LE TRAVAIL, LES FRAIS D'HÔTELS ET/OU REPAS EN RESTAURANT, LES DÉPENSES DE RÉNOVATION, LA PERTE DE BÉNÉFICES, DE REVENUS OU DE FONDS COMMERCIAL OU L'IMPOSSIBILITÉ DE RÉALISER LES ÉCONOMIES ESCOMPTÉES, QUELLE QUE SOIT LA BASE JURIDIQUE INVOQUÉE POUR JUSTIFIER L'ASSERTION, ET MÊME SI SAMSUNG A ÉTÉ AVISÉ DE LA POSSIBILITÉ DE TELS DOMMAGES. Certains États et certaines juridictions n'autorisent pas l'exclusion ou les limitations pour dommages accessoires ou indirects. Il est donc possible que les limitations ou exclusions cidessus ne s'appliquent pas à votre cas. Cette garantie vous confère des droits spécifiques ; il est donc possible que vous bénéficiiez d'autres droits qui varieront d'une juridiction à une autre.

SAMSUNG ne garantit pas un fonctionnement continu ou sans erreur de ce produit. Samsung ne sera tenu d'honorer aucune autre garantie donnée par toute autre personne, firme ou société en regard de ce produit.

Pour bénéficier du service de garantie, contactez SAMSUNG à l'adresse suivante :

Samsung Electronics America, Inc.
85 Challenger Road
Ridgefield Park, NJ 07660
1-800-SAMSUNG (726-7864) et www.samsung.com/us/support

Enregistrement

Veillez enregistrer votre produit sur www.samsung.com/register.

Questions

Pour les questions sur les fonctions, le fonctionnement/les performances, les pièces, les accessoires ou l'entretien, appelez le 1-800-SAMSUNG (726-7864), ou consultez notre site Web à l'adresse www.samsung.com/us/support.

Nom du modèle et numéro de série

Le nom de modèle ainsi que le numéro de série figurent sur le côté droit de la base de la table de cuisson. Pour pouvoir vous y reporter ultérieurement, prenez note des informations sur la page actuelle.

Nom du modèle _____

Numéro de série _____

Garantie (CANADA)

VEUILLEZ NE PAS JETER.

Table de cuisson AU GAZ SAMSUNG

GARANTIE LIMITÉE À L'ACHETEUR INITIAL

Ce produit de la marque SAMSUNG, fourni et distribué par SAMSUNG ELECTRONICS CANADA INC. (SAMSUNG) et livré neuf, s'accompagne d'une garantie de SAMSUNG contre tout vice de fabrication au niveau des pièces et de la main d'œuvre pendant une période limitée de :

Un (1) an (pièces et main d'œuvre)

La présente garantie limitée s'applique à compter de la date d'achat initial et couvre uniquement les produits achetés et utilisés au Canada. Pour se prévaloir du service de garantie, l'acheteur doit contacter SAMSUNG afin d'établir les procédures relatives au diagnostic et à l'intervention nécessaire. Le service de garantie ne peut être effectué que par un centre de service SAMSUNG agréé, et tout autre service non autorisé annule cette garantie. Lors de la remise d'un produit défectueux à SAMSUNG ou à un centre de service SAMSUNG agréé, l'acquéreur est tenu de présenter le coupon d'achat d'origine à la demande des intéressés à titre de preuve d'achat. Samsung vous assure un service à domicile pendant la période de garantie d'un (1) an sans frais supplémentaires en fonction des disponibilités sur le territoire du Canada contigu. Le service à domicile n'est pas disponible pour toutes les zones. Pour en bénéficier, vous devez veiller à ce que l'appareil soit dépourvu d'obstacle et accessible à l'agent de maintenance. En cas d'indisponibilité de ce service, Samsung pourra choisir le moyen de transport adéquat pour acheminer ou renvoyer l'appareil vers et depuis un centre de service agréé.

La société SAMSUNG prendra en charge, à sa convenance, la réparation ou le remplacement du produit à ses frais tel que stipulé dans les présentes conditions et procédera au remplacement ou au changement des pièces ou des produits si ces derniers s'avèrent défectueux dans la limite de la période de garantie mentionnée précédemment. Toute pièce ou tout produit remplacé devient la propriété de SAMSUNG et doit lui être restitué. Les pièces et produits de rechange sont protégés pour le reste de la période de garantie initiale ou pour quatre-vingt-dix (90) jours, selon l'éventualité la plus éloignée.

La présente garantie limitée ne peut s'étendre aux cas d'alimentation ou de tension électrique incorrectes, d'ampoules inappropriées, d'installations électriques défectueuses, aux cas de demandes d'assistance pour information ou de résolutions d'erreurs d'installation. En outre, elle ne prend pas en charge l'endommagement de la table de cuisson qui résulterait de l'utilisation de produits et de tampons nettoyants non recommandés, l'endommagement de la table de cuisson provoqué par des éclaboussures durcies de sucre ou de plastique fondu qui n'auraient pas été nettoyées selon les instructions fournies dans le manuel d'entretien et d'utilisation. SAMSUNG ne garantit pas un fonctionnement continu ou sans erreur de l'appareil.

À L'EXCEPTION DE CELLES EXPOSÉES PAR LA PRÉSENTE, IL N'EXISTE AUCUNE AUTRE GARANTIE SUR CE PRODUIT, QU'ELLE SOIT EXPRESSE OU IMPLICITE, ET SAMSUNG REJETTE TOUTE AUTRE GARANTIE Y COMPRIS, MAIS SANS S'Y LIMITER, TOUTE GARANTIE IMPLICITE RELATIVE À LA QUALITÉ MARCHANDE, À L'ABSENCE DE CONTREFAÇON OU À L'ADAPTATION À UN USAGE PARTICULIER. SAMSUNG NE SERA TENU D'HONORER AUCUNE AUTRE GARANTIE DONNÉE PAR UNE PERSONNE, UNE FIRME OU UNE SOCIÉTÉ QUELCONQUE EN REGARD DE CE PRODUIT. SAMSUNG N'ENDOSSE AUCUNE RESPONSABILITÉ EN CAS DE PERTE DE REVENU, DE MANQUE À GAGNER, D'INCAPACITÉ À RÉALISER DES ÉCONOMIES OU TOUT AUTRE AVANTAGE FINANCIER, OU EN CAS DE DOMMAGES EN GÉNÉRAL, INDIRECTS, SPÉCIAUX, ACCIDENTELS OU INDUITS RÉSULTANT DE L'UTILISATION OU D'UNE MAUVAISE UTILISATION DE CET APPAREIL OU D'UNE INCAPACITÉ À UTILISER CET APPAREIL, QUELLE QUE SOIT LA BASE LÉGALE SUR LAQUELLE REPOSE LA PLAINTÉ, ET MÊME SI SAMSUNG A ÉTÉ AVERTIE DE L'ÉVENTUALITÉ DE TELS DOMMAGES. TOUT TYPE DE COMPENSATION EXIGÉE AUPRÈS DE SAMSUNG NE SAURA EN AUCUN CAS EXCÉDER LE PRIX D'ACHAT DU PRODUIT VENDU PAR SAMSUNG ET À L'ORIGINE DES DOMMAGES ALLÉGUÉS. SANS LIMITATION AUX DISPOSITIONS PRÉCÉDENTES, L'ACHETEUR ASSUME TOUS LES RISQUES ET TOUTES LES RESPONSABILITÉS EN CAS DE PERTE, DE DOMMAGES OU DE BLESSURES ÉVENTUELLES LIÉS À L'ACHETEUR ET À LA PROPRIÉTÉ DE L'ACHETEUR OU À AUTRUI ET À SES PROPRIÉTÉS DÉCOULANT DE L'USAGE, DE L'USAGE ABUSIF OU DE L'INCAPACITÉ D'UTILISER CE PRODUIT. CETTE GARANTIE LIMITÉE N'EST VALABLE POUR PERSONNE D'AUTRE QUE L'ACHETEUR INITIAL DU PRODUIT, N'EST PAS TRANSFÉRABLE ET ÉNONCE VOTRE RECOURS EXCLUSIF.

Certains États ou provinces n'autorisent pas de limitations quant à la durée des garanties implicites ni l'exclusion ou la limitation de dommages accessoires ou indirects ; il se peut par conséquent que les limitations et exclusions énoncées ci-dessus ne s'appliquent pas à votre cas.

Cette garantie vous confère des droits légaux spécifiques. Vous pouvez également avoir d'autres droits qui varient d'un Etat à l'autre et d'une province à l'autre.

Pour bénéficier du service de garantie, contactez SAMSUNG à l'adresse suivante :

Samsung Electronics Canada Inc.
2050 Derry Road West, Mississauga, Ontario L5N 0B9 Canada
1-800-SAMSUNG (726-7864) et www.samsung.com/ca/support (English)
www.samsung.com/ca_fr/support (French)

Enregistrement

Veillez enregistrer votre produit sur www.samsung.com/register.

Questions

Pour les questions sur les fonctions, le fonctionnement/les performances, les pièces, les accessoires ou l'entretien, appelez le 1-800-SAMSUNG (726-7864) ou consultez notre site Web à l'adresse www.samsung.com/ca/support (English) ou www.samsung.com/ca_fr/support (French).

Nom du modèle et numéro de série

Le nom de modèle ainsi que le numéro de série figurent sur le côté droit de la base de la table de cuisson. Pour pouvoir vous y reporter ultérieurement, prenez note des informations sur la page actuelle.

Nom du modèle _____

Numéro de série _____

Notes

Notes



Scan this with your smartphone

Scannez le code QR* ou rendez-vous sur le site www.samsung.com/spsn pour voir nos vidéos et démonstrations en direct d'utilisation.

*Requiert l'installation d'un lecteur sur votre smartphone

Veuillez noter que la garantie Samsung n'inclut pas les déplacements du service après-vente pour expliquer le fonctionnement de l'appareil, corriger une installation non correcte ou exécuter des travaux de nettoyage ou d'entretien réguliers.

UNE QUESTION ? UN COMMENTAIRE ?

PAYS	N° DE TÉLÉPHONE	SITE INTERNET
U.S.A Consumer Electronics	1-800-SAMSUNG (726-7864)	www.samsung.com/us/support
CANADA	1-800-SAMSUNG(726-7864)	www.samsung.com/ca/support (English) www.samsung.com/ca_fr/support (French)



DG68-01132A-01