



CATALOG OF REPLACEMENT PARTS

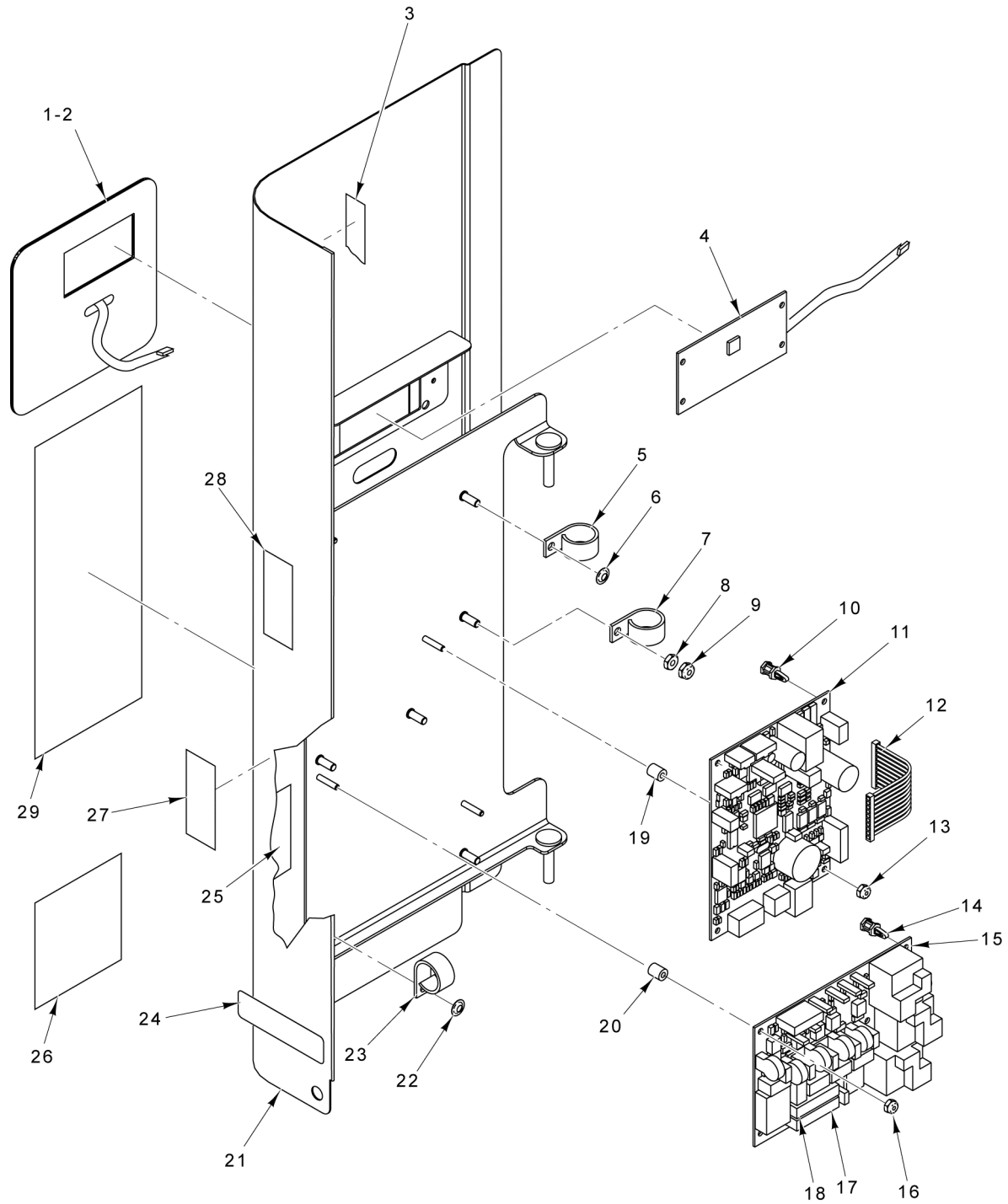


SD3 DISHWASHER

ML-130232 SD3
SD3T

Table of Contents

5 CONTROLS
7 CONTROL CABLES
9 CONTROL BOX
11 MOTOR AND PUMP
13 UPPER WASH ARM
15 LOWER WASH ARM
17 RINSE PIPING (WITHOUT BOOSTER)
19 RINSE PIPING (WITH BOOSTER)
21 BOOSTER PIPING
23 ELECTRIC BOOSTER TANK
25 LOW WATER PROTECTION AND ELECTRIC HEAT
27 DRAIN UNIT
29 DRAIN WATER TEMPERING (OPTIONAL ACCESSORY)
31 DOOR ASSEMBLY (STANDARD)
33 DOOR ASSEMBLY (TALL)
35 PANELS AND RACK SUPPORT



PL-60512

CONTROLS

CONTROLS

ILLUS.	PART NO.	NAME OF PART	AMT.
PL-60512			
1	00-949576	Switch - Membrane Keypad.....	1
2	0P-428301	Trim - Keypad.....	1
3	0P-578212	Foam Tape.....	AR
4	0P-428217	Display Module.....	1
5	0A-108045	Clamp - Wire (3/4 I.D.).....	1
6	0P-678336	Lock Nut 3/16 Washer Type (SST).....	1
7	0A-108045	Clamp - Wire (3/4 I.D.).....	1
8	0P-678137	Nut 10-24 Hex (SST).....	1
9	0P-678335	Stop Nut 10-24 Hex Elastic (SST).....	1
10	0P-428218	Standoff.....	2
11	0P-429306	Control Board Assy.....	1
12	0P-458219	Ribbon Cable Assy.....	1
13	0P-678141	Stop Nut 6-32 Hex (SST).....	2
14	0P-428218	Standoff.....	2
15	0P-429220	Board - Relay Assy.....	1
16	0P-678141	Stop Nut 6-32 Hex (SST).....	2
17	0P-528313	Fuse (250 V.) (1 Amp.).....	1
18	0P-528315	Fuse (250 V., 0.1 Amp.).....	1
19	0P-428185	Standoff - Reed Board (3/8) (Control Board).....	2
20	0P-428185	Standoff - Reed Board (3/8) (Relay Board).....	2
21	0P-428300	Corner - Display.....	1
22	0P-678336	Lock Nut 3/16 Washer Type (SST).....	4
23	0A-108045	Clamp - Wire (3/4 I.D.).....	4
24	0P-698261	Plate (Patent Numbers).....	1
25	0A-698310	Label - Warning (Fuse) (Electric Heat) Label - Warning.....	1
26	0A-698303	Plate - Machine Data.....	1
27	0P-698207	Label - Warning (Electric Heat W/Booster) Label - Warning.....	1
28	0A-698311	Label (Error Code).....	1
29	0P-698208	Label - Instruction.....	1

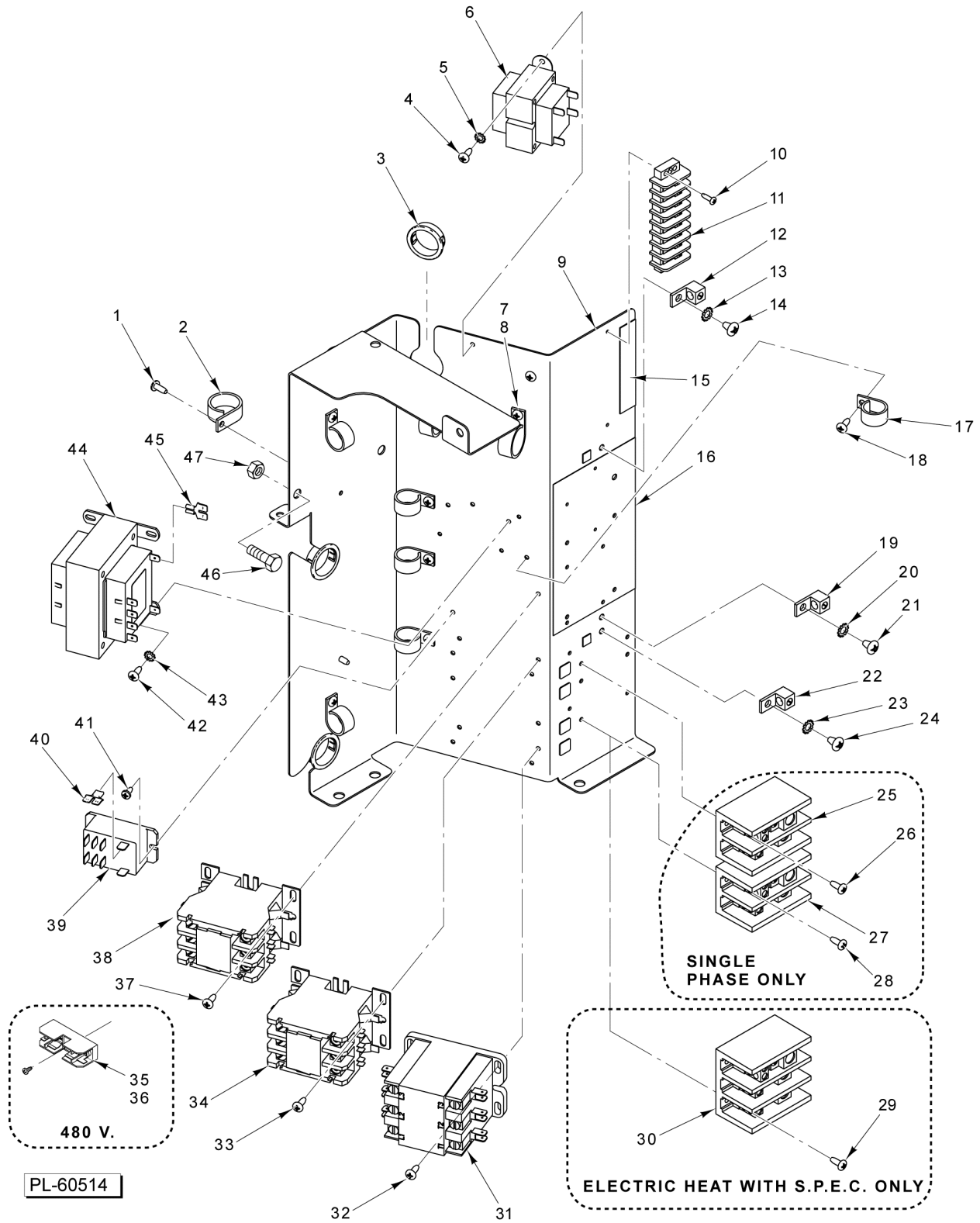
Item Number	Description
1	Ribbon Cable Assy
2	Harness - Sensor Assy.
3	Harness - Relay Board Assy.
4	Cable - Rinse Thermistor
5	Cable - Rinse Valve (WO/Electric Booster) (Incls. DIN Connector)
6	Cable - Rinse Valve (W/Electric Booster) (Incls. DIN Connector)

PL-60513

CONTROL CABLES

CONTROL CABLES

ILLUS.	PART NO.	NAME OF PART	AMT.
PL-60513			
1	0P-458219	Ribbon Cable Assy.....	1
2	0P-458259	Harness - Sensor Assy.....	1
3	0P-458260	Harness - Relay Board Assy.....	1
4	0P-458254	Cable - Rinse Thermistor.....	1
5	0P-458255	Cable - Rinse Valve (WO/Electric Booster) (Incls. DIN Connector).....	1
6	0P-458256	Cable - Rinse Valve (W/Electric Booster) (Incls. DIN Connector).....	1



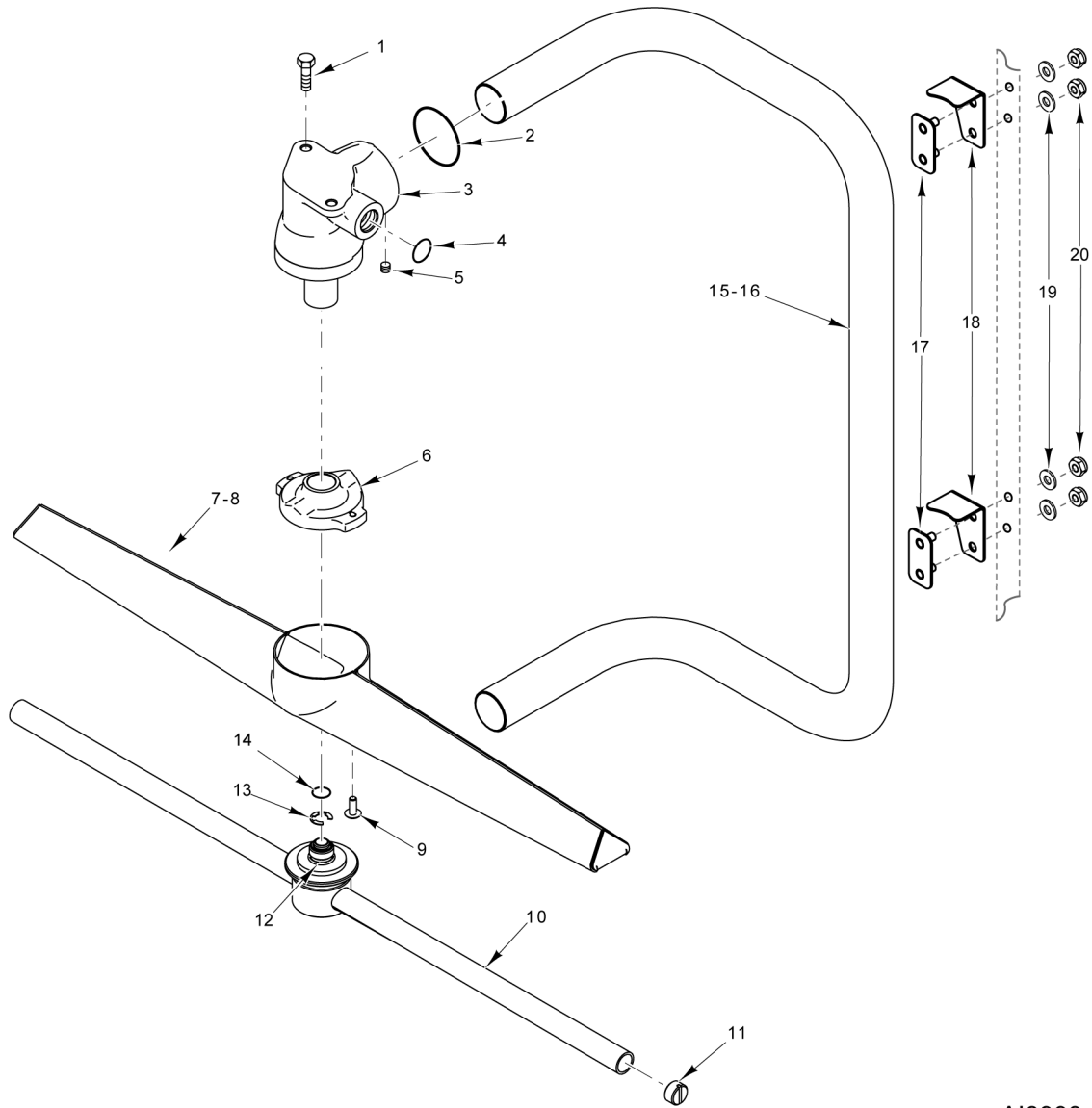
CONTROL BOX

CONTROL BOX

ILLUS.	PART NO.	NAME OF PART	AMT.
PL-60514			
1	0P-678161	Self-Tapping Screw 10-16 x 1/2 Phil. Pan Hd., Type B.....	3
2	0A-108203	Clamp - Wire (1 I.D.).....	3
3	0P-668314	Bushing - Electrical Snap.....	3
4	0P-678161	Self-Tapping Screw 10-16 x 1/2 Phil. Pan Hd., Type B.....	2
5	0P-678352	Lockwasher #10 External Shakeproof (SST).....	2
6	0P-538200	Transformer (T2) (30 VA, 50/60 Hz.).....	1
7	0P-678161	Self-Tapping Screw 10-16 x 1/2 Phil. Pan Hd., Type B.....	2
8	0A-108203	Clamp - Wire (1 I.D.).....	2
9	0A-108262	Box - Control.....	1
10	0P-678347	Self-Tapping Screw 6-20 x 1/2 Phil. Pan Hd., Type B.....	2
11	0P-528240	Block - Terminal (Double Row).....	1
12	0P-528186	Lug - Grounding.....	1
13	0P-678351	Lockwasher 1/4 External Shakeproof.....	1
14	0P-678348	Self-Tapping Screw 1/4-20 x 3/8 Phil. Pan Hd., Type TT.....	1
15	0A-698309	Label - Terminal Block.....	1
16	0A-698312	Label - Electric Ampacity.....	1
17	0A-108045	Clamp - Wire (3/4 I.D.).....	6
18	0P-678161	Self-Tapping Screw 10-16 x 1/2 Phil. Pan Hd., Type B.....	6
19	0P-528186	Lug - Grounding (Electric Booster).....	1
20	0P-678351	Lockwasher 1/4 External Shakeproof (Electric Booster).....	1
21	0P-678348	Self-Tapping Screw 1/4-20 x 3/8 Phil. Pan Hd., Type TT (Electric Booster).....	1
22	0P-528186	Lug - Grounding.....	1
23	0P-678351	Lockwasher 1/4 External Shakeproof.....	1
24	0P-678348	Self-Tapping Screw 1/4-20 x 3/8 Phil. Pan Hd., Type TT.....	1
25	0P-528198	Block - Terminal (Electric Booster) (1 Ph.).....	1
26	0P-678161	Self-Tapping Screw 10-16 x 1/2 Phil. Pan Hd., Type B (1 Ph.).....	2
27	0P-528198	Block - Terminal (Electric Booster) (1 Ph.).....	1
28	0P-678161	Self-Tapping Screw 10-16 x 1/2 Phil. Pan Hd., Type B.....	2
29	0P-678161	Self-Tapping Screw 10-16 x 1/2 Phil. Pan Hd., Type B.....	4
30	0P-528188	Block - Terminal.....	1
31	0P-478267	Contactator (40 Amp., 3-Pole).....	1
32	0P-678161	Self-Tapping Screw 10-16 x 1/2 Phil. Pan Hd., Type B.....	2
33	0P-678161	Self-Tapping Screw 10-16 x 1/2 Phil. Pan Hd., Type B.....	2
34	0P-478181	Contactator (25 Amp., 3-Pole).....	1
35	0P-528199	Block - Fuse (Gas Heat).....	1
36	0P-688133	Fuse (5.0 Amp., 250 V.).....	1
37	0P-678161	Self-Tapping Screw 10-16 x 1/2 Phil. Pan Hd., Type B.....	2
38	0P-478181	Contactator (25 Amp., 3-Pole).....	1
39	0P-478182	Relay (2-Pole) (30 Amp.).....	1
40	0P-688134	Adapter - Electrical.....	1
41	0P-678160	Self-Tapping Screw 8-18 x 3/8 Phil. Bndg. Hd., Type B.....	2
42	0P-678161	Self-Tapping Screw 10-16 x 1/2 Phil. Pan Hd., Type B.....	4
43	0P-678352	Lockwasher #10 External Shakeproof (SST).....	4
44	0P-538201	Transformer (100 VA.) (50/60 Hz.) Transformer (T1) (208/240/480 V., 50/60 Hz.).....	1
45	0P-688134	Adapter - Electrical.....	1
46	0P-678341	Cap Screw 5/16-18 x 1-1/8 Hex Hd. (SST).....	4
47	0P-678142	Stop Nut 5/16-18 Hex (SST).....	4

MOTOR AND PUMP

ILLUS.	PART NO.	NAME OF PART	AMT.
PL-60515			
1	0P-678341	Cap Screw 5/16-18 x 1-1/8 Hex Hd. (SST).....	2
2	0P-578248	Gasket - Adapter.....	1
3	0A-108285	Adapter (Pump-to-Manifold).....	1
4	0P-678169	Washer (SST).....	2
5	0P-678142	Stop Nut 5/16-18 Hex (SST).....	2
6	0A-108239	Screen - Pump.....	1
7	0P-678165	Lockwasher 5/16 Helical (SST).....	4
8	0P-678139	Nut 5/16-18 Hex (SST).....	4
9	0A-108211	Clamp - Hose.....	2
10	0P-688297	Hose - Pump Intake.....	1
11	0P-678294	Mach. Screw 6mm x 18mm (SST).....	11
12	0B-108293	Pump Shell (Outer).....	1
13	0B-108289	Impeller (60 Hz.).....	1
14	0P-578288	Shaft - Seal.....	1
15	0P-578292	Seal.....	1
16	0P-678295	Lock Nut 6mm (SST).....	11
17	0A-108279	Bracket - Motor Mounting.....	1
18	0P-418286	Motor (208-240/480/60/3).....	1
19	0P-418287	Motor (208-240/60/1).....	1
20	0P-418296	Fan - Cooling 60 Hz.....	1
21	0C-418283	Pump & Motor Assembly 208-240/480/60/3.....	1
22	0C-418284	Pump & Motor Assembly 208-240/60/1.....	1
23	0A-108213	Clamp - Hose.....	2
24	0P-688225	Hose - Discharge.....	1
25	0P-678290	Lockwasher 10mm (SST).....	1
26	0P-678291	Jam Nut 10mm (SST).....	1

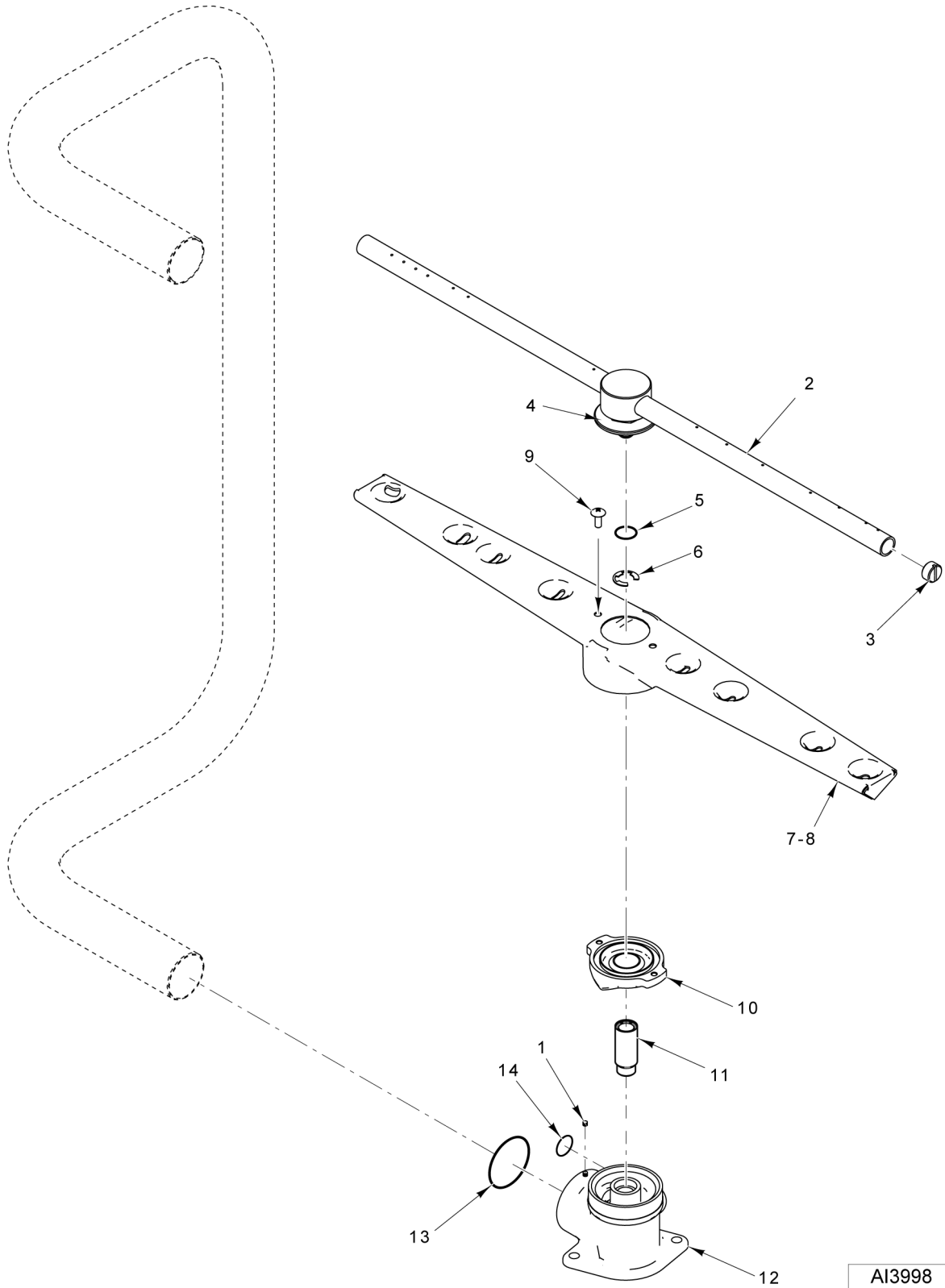


AI3993

UPPER WASH ARM

UPPER WASH ARM

ILLUS.	PART NO.	NAME OF PART	AMT.
PL-AI3993			
1	0P-678346	Cap Screw 5/16-18 x 3/8 Hex Hd.....	2
2	0P-578176	O-Ring.....	1
3	0B-109308	Kit - Wash Manifold Assy. (Incls. Shaft, 2 Hubs, & O-Rings).....	1
4	0P-578179	O-Ring.....	1
5	0P-678343	Set Screw 10-24 x 1/4 Hex Hdls., Cup Pt. (SST).....	2
6	0B-108298	Hub - Wash Arm.....	1
7	0A-108221	Arm - Wash.....	1
8	0A-108222	Wash Arm Assy. Wash Arm Assy. (Incls. Items 8, 9, & 11).....	1
9	0P-678344	Mach. Screw 10-24 x 1/2 Phil. Truss Hd. (SST).....	2
10	0A-108245	Arm - Rinse (Incls. Items 13 & 14).....	1
11	0A-108246	Plug - Rinse Arm.....	2
12	0P-668243	Bearing.....	1
13	0P-678338	Retaining Ring.....	1
14	0P-578178	O-Ring.....	1
15	0A-108227	Tube - Wash (SD3).....	1
16	0A-108630	Tube - Wash (SD3T).....	1
17	0A-108581	Assy, Mount, Door Stop.....	2
18	0P-678170	Washer (SST).....	4
19	0A-108580	Bracket & Retainer for wash tube.....	2
20	NS-047-82	Stop Nut 1/4-20 Hex (SST).....	4

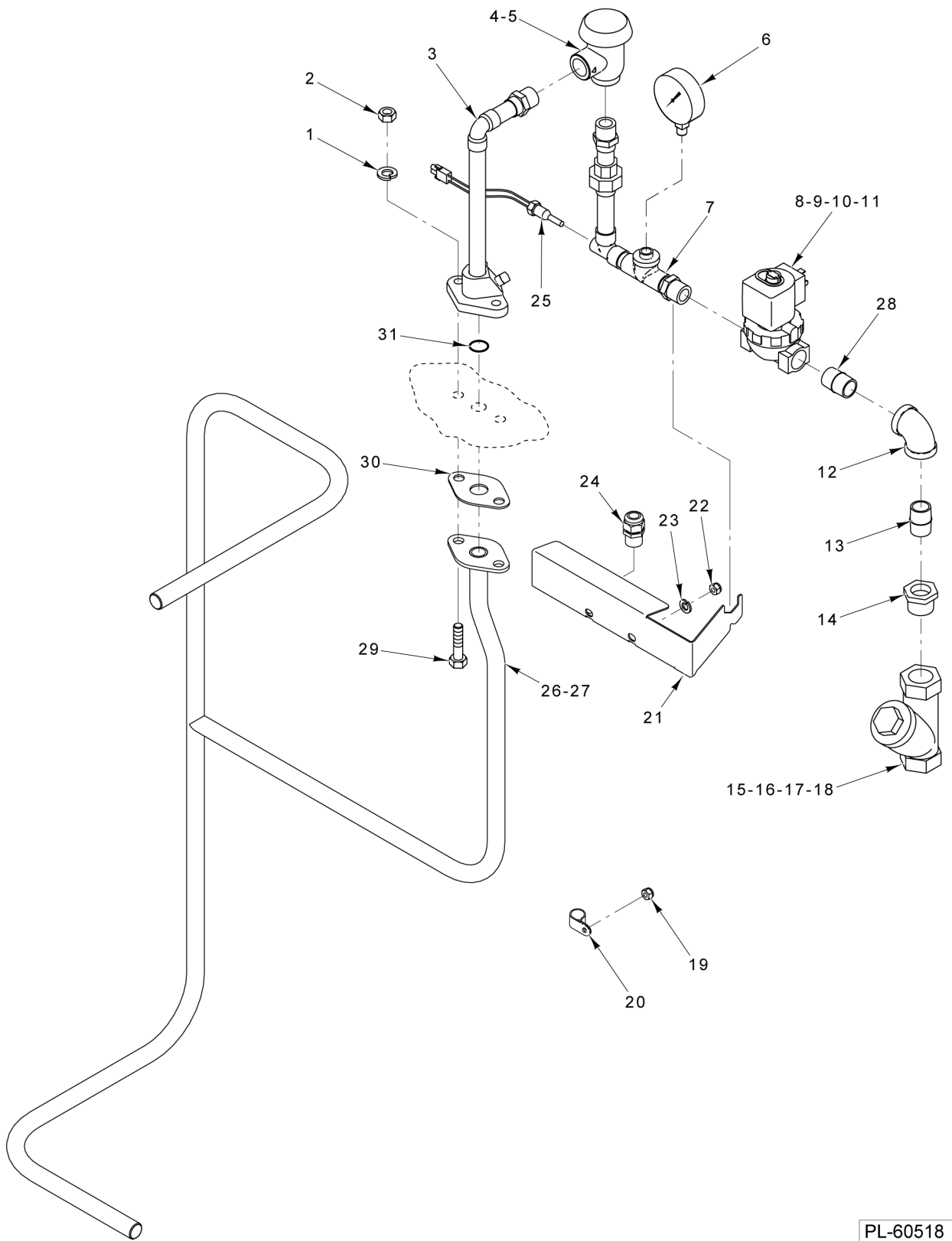


AI3998

LOWER WASH ARM

LOWER WASH ARM

ILLUS.	PART NO.	NAME OF PART	AMT.
PL-AI3998			
1	0P-678343	Set Screw 10-24 x 1/4 Hex Hdls., Cup Pt. (SST).....	2
2	0A-108245	Arm - Rinse (Incls. Items 3 & 4).....	1
3	0A-108246	Plug - Rinse Arm.....	2
4	0P-668243	Bearing.....	1
5	0P-578178	O-Ring.....	1
6	0P-678338	Retaining Ring.....	1
7	0A-108222	Wash Arm Assy. Wash Arm Assy. (Incls. Items 8, 9, & 10).....	1
8	0A-108221	Arm - Wash.....	1
9	0P-678344	Mach. Screw 10-24 x 1/2 Phil. Truss Hd. (SST).....	2
10	0B-108298	Hub - Wash Arm.....	1
11	0A-108234	Shaft - Rinse Arm Shaft - Rinse Arm.....	1
12	0B-108226	Manifold - Wash (Lower).....	1
13	0P-578176	O-Ring.....	1
14	0P-578179	O-Ring.....	1



PL-60518

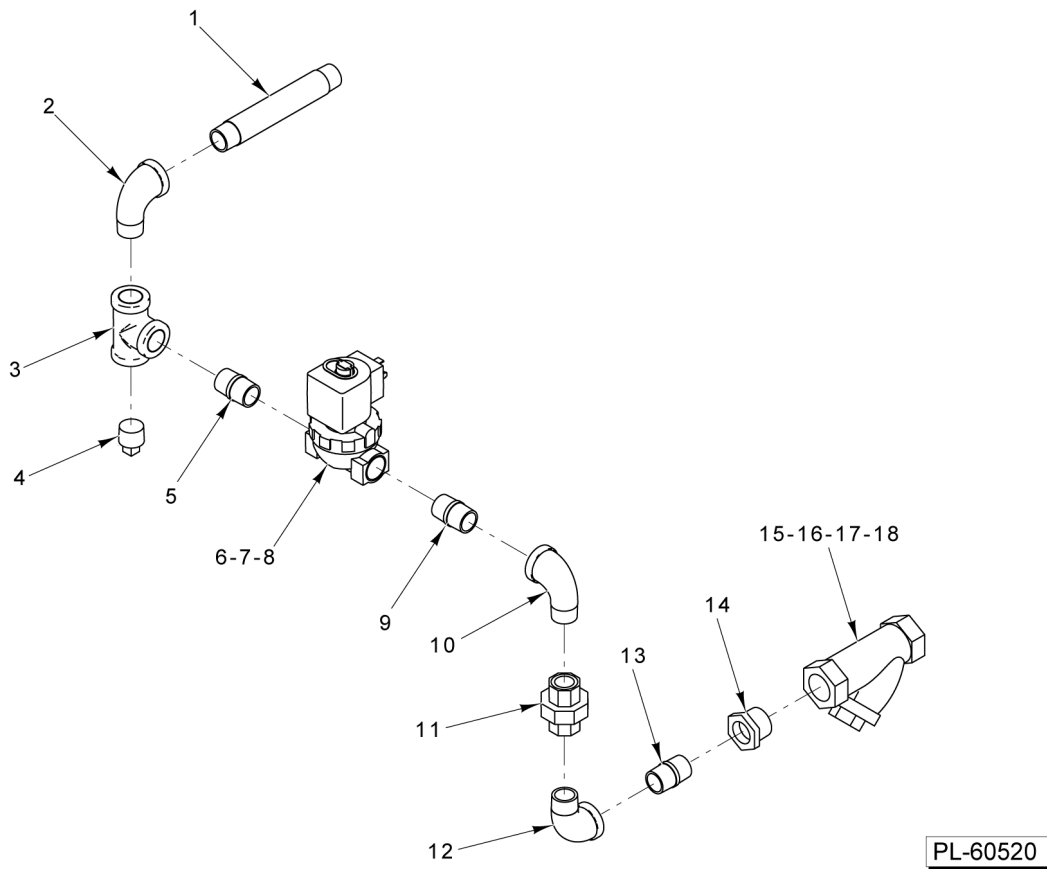
**RINSE PIPING
(WITHOUT BOOSTER)**

**RINSE PIPING
(WITHOUT BOOSTER)**

ILLUS.	PART NO.	NAME OF PART	AMT.
PL-60518			
1	0P-678165	Lockwasher 5/16 Helical (SST).....	2
2	0P-678142	Stop Nut 5/16-18 Hex (SST).....	2
3	0B-108236	Piping - Fill.....	1
4	0P-628041	Vacuum Breaker (1/2 In.).....	1
5	00-292910	Service Kit - Vacuum Breaker.....	1
6	0P-658268	Gauge - Water Pressure Gauge - Water Pressure.....	1
7	0B-108237	Fill Piping Assy.....	1
8	0P-548093	Solenoid Valve (1/2) (120 V.).....	1
9	0P-548085	Coil - Solenoid Valve (120 V.).....	1
10	0P-548094	Service Kit - 1/2 Solenoid Valve.....	1
11	0P-458210	Connector - D.I.N.....	1
12	0P-688317	Elbow - Pipe 1/2 x 90 Deg. (Brass).....	1
14	0P-688320	Bushing - Pipe 3/4 to 1/2 (Brass).....	1
13	0P-688326	Pipe 1/2 x 2 TBE (Brass).....	1
15	0P-638036	Strainer - Line (3/4 In.) (Brass) (Incls. Items 16, 17, & 18).....	1
16	0P-688037	Plug - Branch.....	1
17	0P-688039	Screen - Line Strainer.....	1
18	0P-578038	Gasket.....	1
19	0P-678336	Lock Nut 3/16 Washer Type (SST).....	1
20	0A-108203	Clamp - Wire (1 I.D.).....	1
21	0A-108235	Bracket - Fill Piping.....	1
22	0P-678139	Nut 5/16-18 Hex (SST).....	2
23	0P-678165	Lockwasher 5/16 Helical (SST).....	2
24	0P-528129	Connector - Strain Relief.....	2
25	0P-658206	Probe Assy. - Rinse.....	1
26	0A-108228	Inside Rinse Piping Assy. (SD3).....	1
27	0A-108629	Inside Rinse Piping Assy. (SD3T).....	1
28	0P-688324	Pipe 1/2 x 1-3/8 TBE (Brass).....	1
29	0P-678150	0P-678150.....	2
30	0P-578196	Gasket - Rinse Pipe.....	1
31	0P-578172	O-Ring.....	1

**RINSE PIPING
(WITH BOOSTER)**

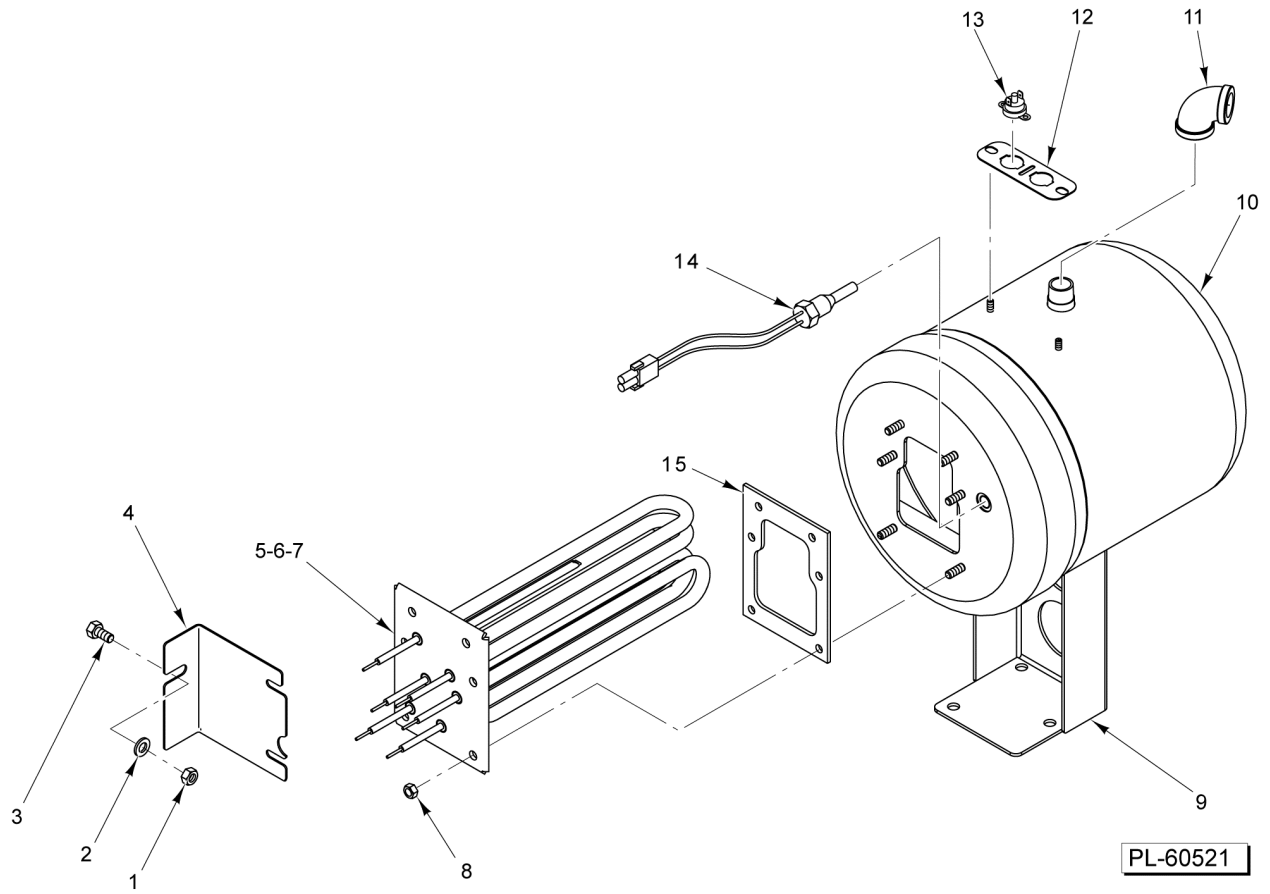
ILLUS. PL-60519	PART NO.	NAME OF PART	AMT.
1	0P-678165	Lockwasher 5/16 Helical (SST).....	2
2	0P-678142	Stop Nut 5/16-18 Hex (SST).....	2
3	0B-108236	Piping - Fill.....	1
4	0P-628041	Vacuum Breaker (1/2 In.).....	1
5	0P-628042	Repair Kit - Vacuum Breaker.....	1
6	0P-658206	Probe Assy. - Rinse.....	1
7	0P-658268	Gauge - Water Pressure Gauge - Water Pressure.....	1
8	0B-108238	Fill Piping Assy.....	1
9	0P-688317	Elbow - Pipe 1/2 x 90 Deg. (Brass).....	1
10	0P-688258	Hose - Water (Braided) (84 In.) (SST).....	1
11	0P-678139	Nut 5/16-18 Hex (SST).....	2
12	0P-678165	Lockwasher 5/16 Helical (SST).....	2
13	0P-528129	Connector - Strain Relief.....	1
14	0A-108235	Bracket - Fill Piping.....	1
15	0A-108228	Inside Rinse Piping Assy. (SD3).....	1
16	0A-108629	Inside Rinse Piping Assy. (SD3T).....	1
17	0P-578172	O-Ring.....	1
18	0P-678150	0P-678150.....	2
19	0P-578196	Gasket - Rinse Pipe.....	1



BOOSTER PIPING

BOOSTER PIPING

ILLUS.	PART NO.	NAME OF PART	AMT.
PL-60520			
1	0P-688325	Pipe 1/2 x 7 TBE (Brass).....	1
2	0P-688317	Elbow - Pipe 1/2 x 90 Deg. (Brass).....	1
3	0P-688318	Tee - Pipe 1/2 x 1/2 x 1/2 (Brass).....	1
4	0P-688322	Pipe Plug 1/2 Sq. Hd. (Brass).....	1
5	0P-688323	Pipe 1/2 x 1-1/4 TBE (Brass).....	1
6	0P-548093	Solenoid Valve (1/2) (120 V.).....	1
7	0P-548094	Service Kit - 1/2 Solenoid Valve.....	AR
8	0P-548085	Coil - Solenoid Valve (120 V.).....	1
9	0P-688323	Pipe 1/2 x 1-1/4 TBE (Brass).....	1
10	0P-688317	Elbow - Pipe 1/2 x 90 Deg. (Brass).....	1
11	0P-688319	Union - Pipe (Brass).....	1
12	0P-688317	Elbow - Pipe 1/2 x 90 Deg. (Brass).....	1
13	0P-688323	Pipe 1/2 x 1-1/4 TBE (Brass).....	1
14	0P-688320	Bushing - Pipe 3/4 to 1/2 (Brass).....	1
15	0P-638036	Strainer - Line (3/4 In.) (Brass) (Incls. Items 16, 17, & 18).....	1
16	0P-688037	Plug - Branch.....	1
17	0P-688039	Screen - Line Strainer.....	1
18	0P-578038	Gasket.....	1



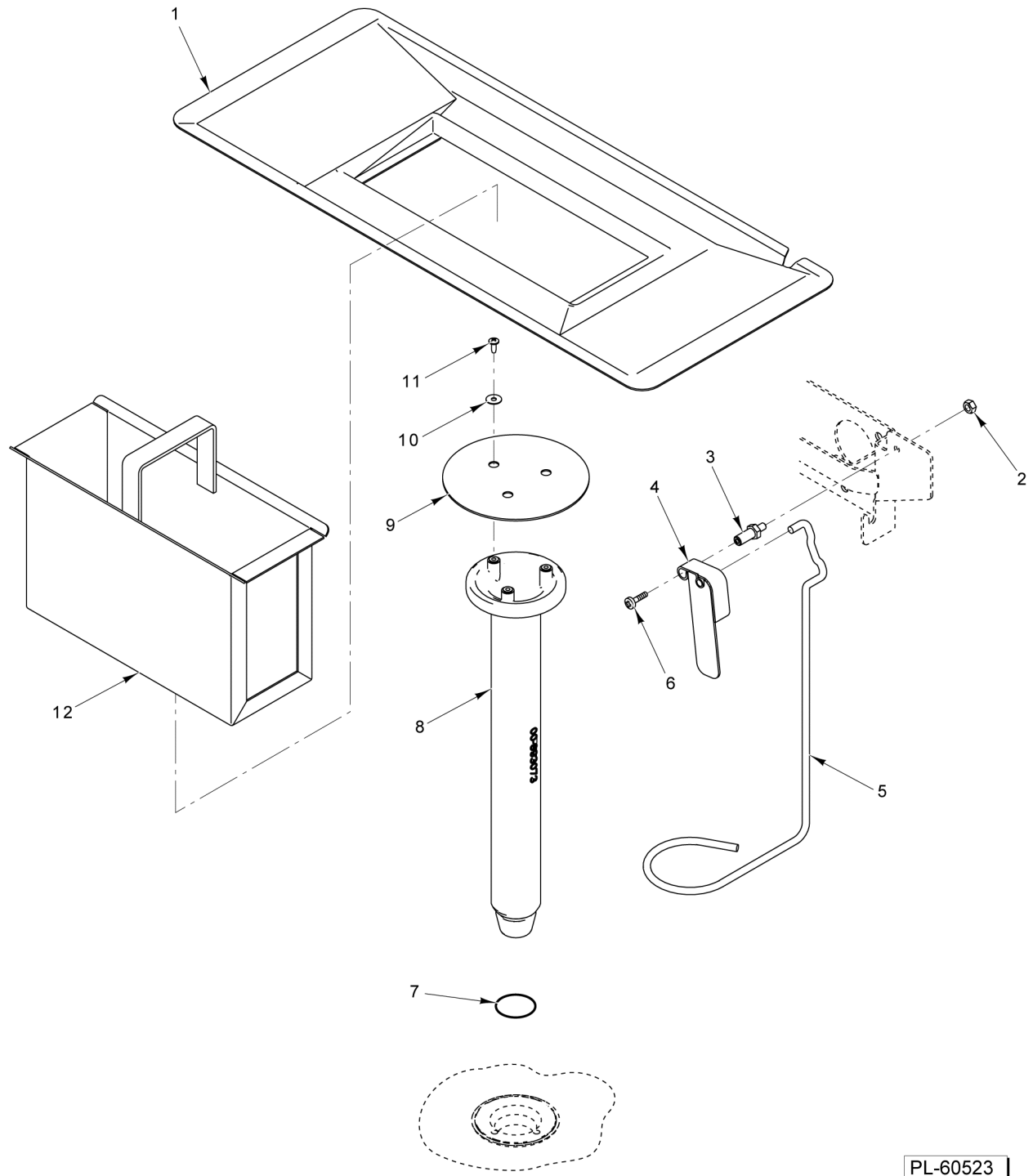
ELECTRIC BOOSTER TANK

ELECTRIC BOOSTER TANK

ILLUS.	PART NO.	NAME OF PART	AMT.
PL-60521			
1	0P-678142	Stop Nut 5/16-18 Hex (SST).....	1
2	0P-678169	Washer (SST).....	1
3	0P-678340	Cap Screw 5/16-18 x 3/4 Hex Hd. (SST).....	1
4	0A-108281	Bracket - Booster Support.....	1
5	0P-558276	Heater (240 V., 8.5 kW).....	1
6	0P-558275	Heater (208V., 8.5 kW).....	1
7	0P-558277	Heater (480 V., 8.5 kW).....	1
8	0P-678332	Nut 1/4-20 Hex (Brass).....	6
9	0A-108282	Bracket - Booster Mounting.....	1
10	0B-108269	Tank - Booster Weldment.....	1
11	0P-688317	Elbow - Pipe 1/2 x 90 Deg. (Brass).....	1
12	0A-108280	Bracket - High Limit.....	1
13	0P-658205	Protector - High Limit Protector - High Limit.....	2
14	0P-658206	Probe Assy. - Rinse.....	1
15	0P-578215	Gasket (13 kW) (Electric Heater).....	1

LOW WATER PROTECTION AND ELECTRIC HEAT

ILLUS. PL-60522	PART NO.	NAME OF PART	AMT.
1	0P-678333	Nut 3/8-16 (Brass) (Supplied With Heater).....	1
2	0P-678350	Lockwasher 3/8 Helical (SST).....	1
3	0B-108216	Plate - Electric Heat.....	1
4	0P-578174	O-Ring.....	1
5	0P-558251	Element - Heater Wash Tank (6 kW) (200 V) Element - Heater (6.2 kW) (208 V.).....	AR
6	0P-558249	Element - Heater (5 kW) (200-240 V., 50/60 Hz., 1 & 3 Ph.) Element - Heater (5 kW) (200-240 V., 60 Hz., 1 & 3 Ph.).....	1
7	0P-558250	Element - Heater (480 V.) Element - Heater (5 kW) (480 V., 60 Hz., 3 Ph.).....	1
8	0P-678337	Retaining Ring.....	1
9	0A-108184	Retainer - Float.....	1
10	0C-108278	Switch & Probe Assy. (4-Wire) (Short) (Incls. Items 9 & 11).....	1
11	0C-108192	Float Assy.....	1
12	0P-578175	O-Ring.....	1
13	0B-108190	Cap & Stud Assy.....	1
14	0P-678354	Washer - Thrust.....	1
15	0P-678353	Lockwasher 1/2 External Shakeproof (SST).....	1
16	0P-678334	Jam Nut 1/2-20 Hex (SST).....	1
17	0P-578173	O-Ring.....	1
18	0A-108191	Retainer - Cap.....	1
19	0P-678164	Lockwasher 1/4 Helical (SST).....	1
20	0P-678138	Nut 1/4-20 Hex (SST).....	1
21	0P-658202	Control - Temperature.....	1
22	0A-108209	Bracket - High Limit.....	1
23	0P-678335	Stop Nut 10-24 Hex Elastic (SST).....	2

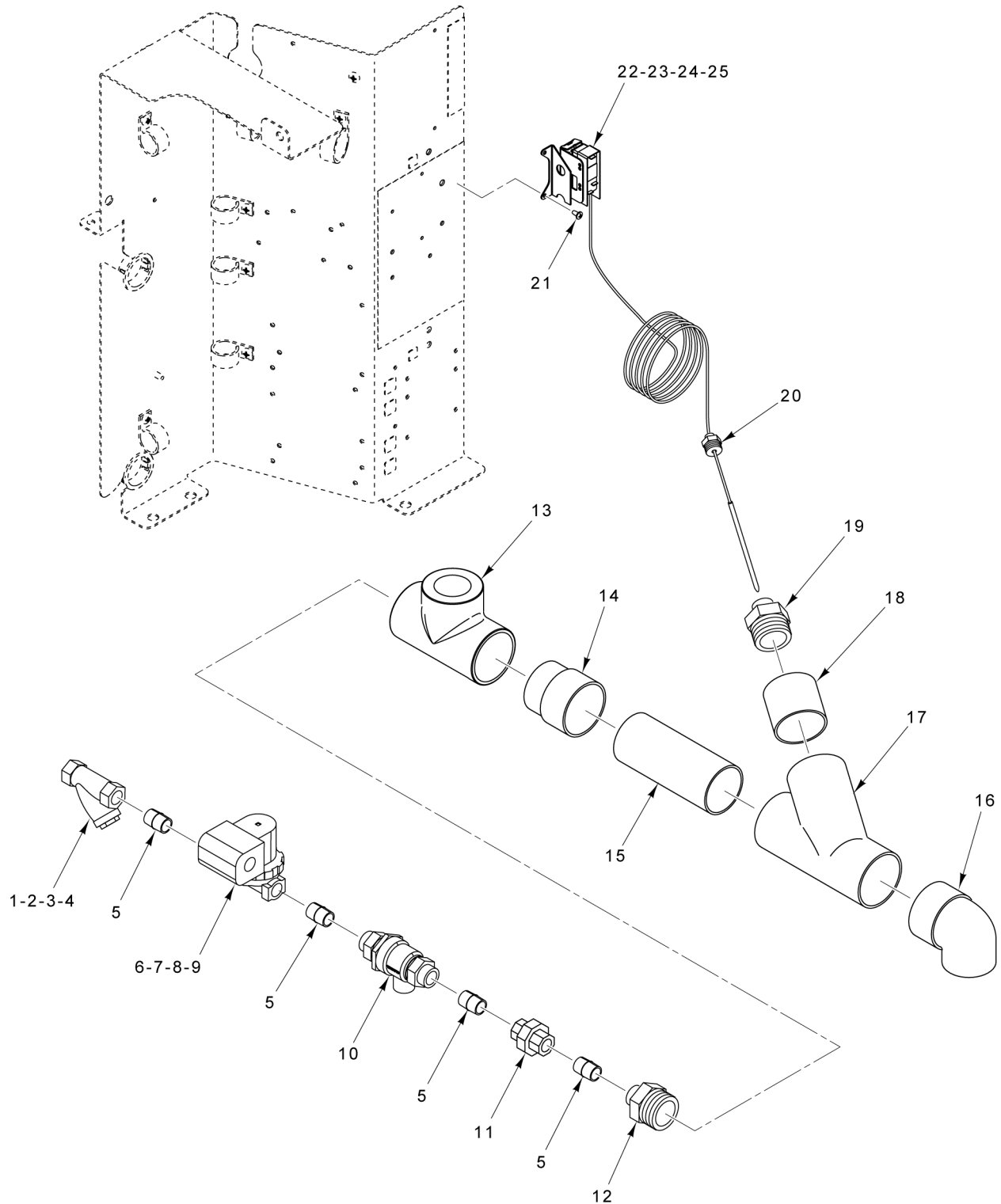


PL-60523

DRAIN UNIT

DRAIN UNIT

ILLUS.	PART NO.	NAME OF PART	AMT.
PL-60523			
1	0A-108232	Strainer Pan.....	1
2	0P-678143	Stop Nut 1/4-20 Hex (SST).....	1
3	0A-108189	Axle - Drain Lever.....	1
4	0A-108244	Drain Lever Assy.....	1
5	0A-108247	Drain - Lift.....	1
6	0P-678344	Mach. Screw 10-24 x 1/2 Phil. Truss Hd. (SST).....	1
7	0P-578177	O-Ring.....	1
8	0A-108241	Drain Tube Assy.....	1
9	0A-108242	Cover - Standpipe.....	1
10	0P-678355	Washer.....	3
11	0P-678349	Self-Tapping Screw 10-24 x 1/2 Phil. Truss Hd., Type F (SST).....	3
12	0A-108187	Strainer Basket Assy.....	1

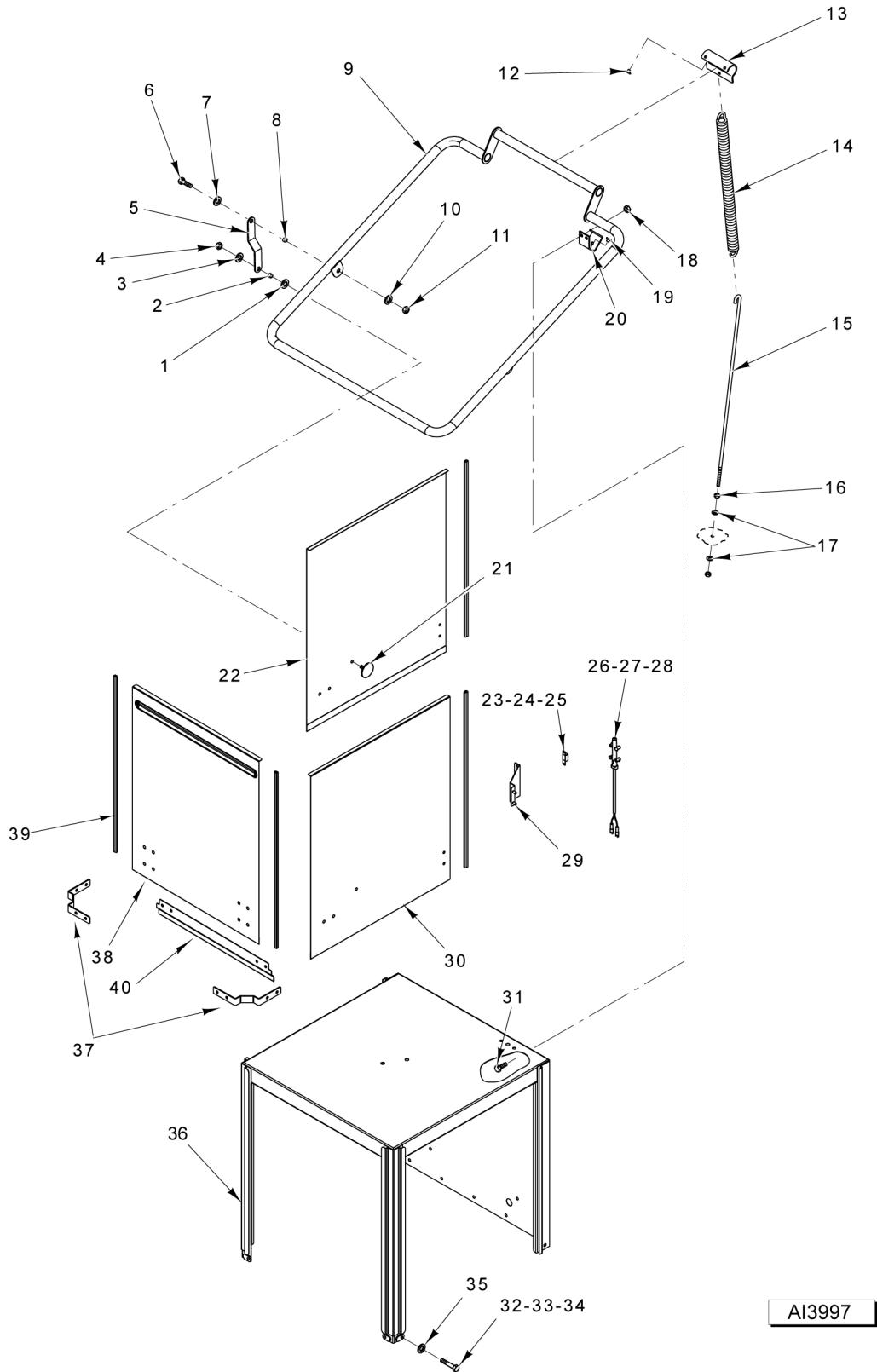


PL-60524

**DRAIN WATER TEMPERING
(OPTIONAL ACCESSORY)**

**DRAIN WATER TEMPERING
(OPTIONAL ACCESSORY)**

ILLUS.	PART NO.	NAME OF PART	AMT.
PL-60524			
1	0P-638193	Strainer - Line (1/2) (Brass) (Incls. Items 2, 3, & 4).....	1
2	0A-108194	Plug - Branch.....	1
3	0P-638194	Screen - Strainer (1/2 In.).....	1
4	0P-578195	Gasket.....	1
5	0P-688135	Pipe 1/2 x 1-1/8 TBE (Brass).....	4
6	0P-548270	Valve - Solenoid (1/2) (120 V.).....	1
7	0P-548093	Solenoid Valve (1/2) (120 V.) (Incls. Item 8).....	1
8	0P-548085	Coil - Solenoid Valve (120 V.).....	1
9	0P-548094	Service Kit - 1/2 Solenoid Valve.....	1
10	0P-628093	Backflow Preventer.....	1
11	0P-688319	Union - Pipe (Brass).....	1
12	0P-688321	Adapter 1-1/2 Brass to 1/2 FPT.....	1
13	0P-688328	Tee 1-1/2 x 1-1/2 x 1-1/2 (CPVC).....	1
14	0P-688265	Adapter - Male 1-1/2 (CPVC).....	1
15	0P-688272	Pipe 1-1/2 x 2-1/2 (CPVC).....	1
16	0P-688330	Elbow 1-1/2 x 90 Deg. (CPVC).....	1
17	0P-688331	Y-Fitting 1-1/2 (CPVC).....	1
18	0P-688271	Pipe 1-1/2 x 6 (CPVC).....	1
19	0P-688329	Adapter 1-1/2 CPVC to 1 FPT.....	1
20	0P-688327	Bushing - Pipe 1 to 3/8.....	1
21	0P-678160	Self-Tapping Screw 8-18 x 3/8 Phil. Bndg. Hd., Type B.....	2
22	0P-658204	Thermostat (120 Deg.).....	1
23	0P-458273	Cable Assy.....	1
24	0P-458274	Wire (Transformer to Thermostat).....	1
25	0P-458180	Wire Tie.....	AR

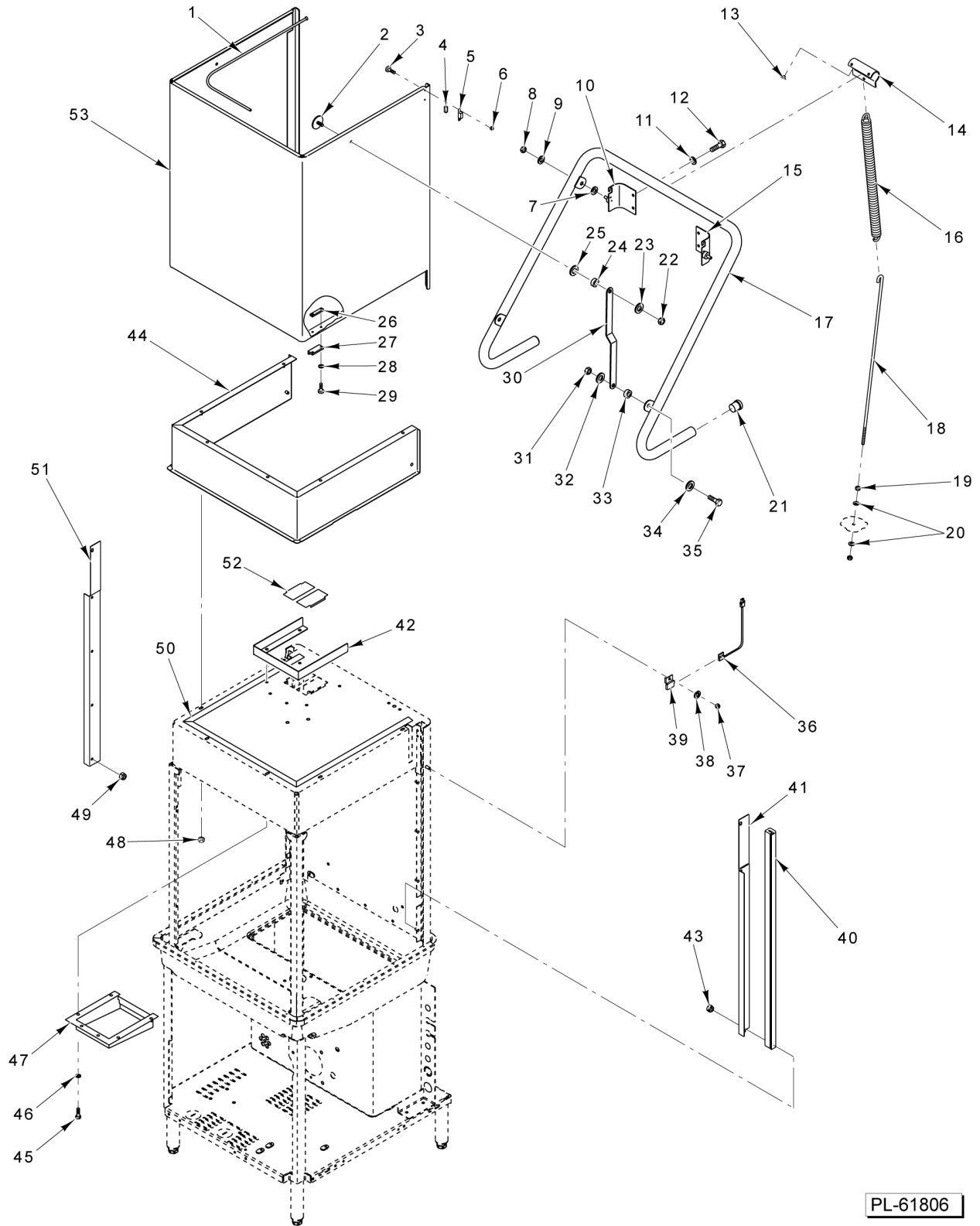


AI3997

DOOR ASSEMBLY (STANDARD)

DOOR ASSEMBLY (STANDARD)

ILLUS.	PART NO.	NAME OF PART	AMT.
PL-AI3997			
1	0P-678169	Washer (SST).....	2
2	0A-108091	Spacer - Door Link (Lower).....	2
3	0P-678169	Washer (SST).....	2
4	0P-678142	Stop Nut 5/16-18 Hex (SST).....	2
5	0A-108097	Link - Door Handle.....	2
6	0P-678150	0P-678150.....	2
7	0P-678169	Washer (SST).....	2
8	0A-108090	Spacer Door Link (Upper).....	2
9	0B-108233	Handle - Weldment.....	1
10	0P-678169	Washer (SST).....	2
11	0P-678142	Stop Nut 5/16-18 Hex (SST).....	2
12	0P-668017	Button - Bearing.....	4
13	0A-108087	Hanger - Counterbalance (Spring).....	1
14	0P-608088	Spring - Extension (Door).....	1
15	0A-108089	Hook - Spring.....	1
16	0P-678139	Nut 5/16-18 Hex (SST).....	3
17	0P-678169	Washer (SST).....	2
18	0P-678142	Stop Nut 5/16-18 Hex (SST).....	4
19	0P-668017	Button - Bearing.....	4
20	0A-108096	Support - Handle.....	2
21	0A-108257	Stiffener - Door Plate.....	2
22	0C-108115	Door Assy. (LH).....	1
23	0A-108013	Magnet.....	1
24	0P-678141	Stop Nut 6-32 Hex (SST).....	2
25	0A-108095	Magnet - Mount.....	1
26	0B-108113	Switch - Reed (Interlock).....	1
27	0P-678141	Stop Nut 6-32 Hex (SST).....	4
28	0P-528129	Connector - Strain Relief.....	1
29	0A-108083	Bracket - Magnet.....	1
30	0C-108114	Door Assy. (RH).....	1
31	0P-678339	Cap Screw 5/16-18 x 1/2 Hex Hd. (SST).....	4
32	0P-678152	Cap Screw 5/16-18 x 1-1/4 Hex Hd. (SST).....	AR
33	0P-678155	Mach. Screw 5/16-18 x 3/4 Truss Hd. (SST).....	AR
34	0P-678139	Nut 5/16-18 Hex (SST).....	AR
35	0P-678165	Lockwasher 5/16 Helical (SST).....	AR
36	0A-108302	Chamber - Weldment (Upper).....	1
37	0A-108305	Bracket.....	2
38	0A-108304	Door Assy. (Front).....	1
39	0P-578183	Guide - Door.....	4
40	0A-108578	Deflector, Splash Out, Door.....	1

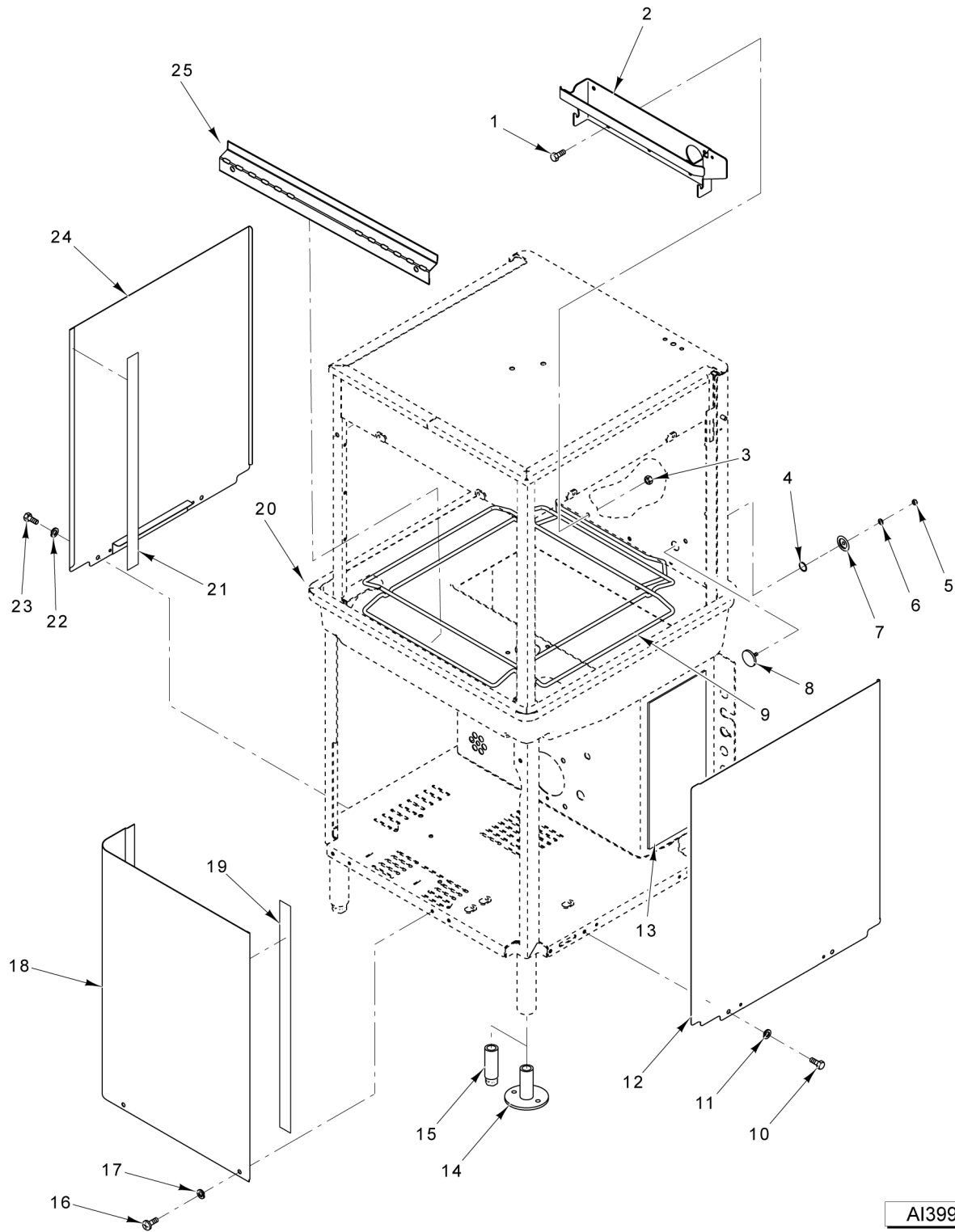


PL-61806

DOOR ASSEMBLY (TALL)

DOOR ASSEMBLY (TALL)

ILLUS.	PART NO.	NAME OF PART	AMT.
PL-61806			
1	0P-578605	Seal - Top Cover (Tall).....	3
2	0A-108257	Stiffener - Door Plate.....	2
3	SC-066-01	Mach. Screw 6-32 x 1/4 Phil. Truss Hd. (SST).....	4
4	0A-108606	Magnet.....	1
5	0A-108607	Mount - Magnet.....	1
6	NS-031-50	Stop Nut 6-32 Hex (SST).....	2
7	WS-017-01	Washer 0.328 x 0.875 x 0.062 (SST).....	2
8	NS-036-19	Stop Nut 5/16-18 Hex Special (SST).....	2
9	WS-017-01	Washer 0.328 x 0.875 x 0.062 (SST).....	2
10	0A-108608	Bracket - Handle (LH).....	1
11	WL-006-23	Lockwasher 5/16 Helical (SST).....	4
12	SC-041-09	Cap Screw 5/16-18 x 1/2 Hex Hd. (SST).....	4
13	0P-668017	Button - Bearing.....	4
14	0A-108609	Hanger - Counterbalance (Spring).....	1
15	0A-108610	Bracket - Handle (RH).....	1
16	0P-608611	Spring - Extension (Door).....	1
17	0B-108612	Handle - Weldment.....	1
18	0A-608632	Hook - Spring.....	1
19	NS-015-11	Nut 5/16-18 Hex (SST).....	3
20	WS-017-01	Washer 0.328 x 0.875 x 0.062 (SST).....	2
21	0P-688633	Plug - Lift Arm.....	2
22	NS-036-19	Stop Nut 5/16-18 Hex Special (SST).....	2
23	WS-017-01	Washer 0.328 x 0.875 x 0.062 (SST).....	2
24	0A-108090	Spacer Door Link (Upper).....	2
25	WS-017-01	Washer 0.328 x 0.875 x 0.062 (SST).....	2
26	0A-108634	Mount - Door Guide.....	2
27	0A-108616	Spacer - Door Guide.....	2
28	WS-023-01	Washer (SST).....	4
29	SC-066-02	Mach. Screw 6-32 x 3/8 Phil. Truss Hd. (SST).....	4
30	0A-108617	Link - Door Handle.....	2
31	NS-036-19	Stop Nut 5/16-18 Hex Special (SST).....	2
32	WS-017-01	Washer 0.328 x 0.875 x 0.062 (SST).....	2
33	0A-108618	Spacer - Door Link.....	2
34	WS-017-01	Washer 0.328 x 0.875 x 0.062 (SST).....	2
35	SC-041-12	Cap Screw 5/16-18 x 7/8 Hex Hd. (SST).....	2
36	0B-108619	Switch Assy. - Door.....	1
37	NS-015-11	Nut 5/16-18 Hex (SST).....	1
38	WL-006-23	Lockwasher 5/16 Helical (SST).....	1
39	0A-108620	Bracket - Reed Switch Mounting.....	1
40	0P-578621	Guide - Door (Tall).....	2
41	0A-108622	Cover - Door Guide (RH).....	1
42	0A-108623	Vent - Deflector.....	1
43	NS-047-82	Stop Nut 1/4-20 Hex (SST).....	5
44	0B-108624	Cover Assy. - Top Chamber.....	1
45	SC-041-09	Cap Screw 5/16-18 x 1/2 Hex Hd. (SST).....	6
46	WL-006-23	Lockwasher 5/16 Helical (SST).....	6
47	0A-108625	Vent Assy. - Inside Deflector.....	1
48	NS-047-82	Stop Nut 1/4-20 Hex (SST).....	6
49	NS-047-82	Stop Nut 1/4-20 Hex (SST).....	5
50	0P-578626	Tape - Foam.....	AR
51	0A-108627	Cover - Door Guide (LH).....	1
52	0A-108628	Cap - Vent.....	2
53	01-555121	Door Wrap.....	1



PANELS AND RACK SUPPORT

PANELS AND RACK SUPPORT

ILLUS.	PART NO.	NAME OF PART	AMT.
PL-AI3996			
1	0P-678149	Cap Screw 5/16-18 x 5/8 Hex Hd. (SST).....	5
2	0A-108264	Rack - Stop Assy.....	1
3	0P-678142	Stop Nut 5/16-18 Hex (SST).....	5
4	0P-578173	O-Ring.....	1
5	0P-678138	Nut 1/4-20 Hex (SST).....	1
6	0P-678164	Lockwasher 1/4 Helical (SST).....	1
7	0A-108191	Retainer - Cap.....	1
8	0B-108190	Cap & Stud Assy.....	1
9	0P-458263	Wireform Assy.....	1
10	0P-678342	Cap Screw 1/4-20 x 1/2 Hex Hd. (SST).....	2
11	0P-678164	Lockwasher 1/4 Helical (SST).....	2
12	0A-108230	Panel - Cover (Right Side).....	1
13	0P-578266	Kit - Foam Installation.....	AR
14	0A-108252	Foot - Flanged (With Holes).....	4
15	0A-108253	Foot - Standard.....	4
16	0P-678345	Mach. Screw 1/4-20 x 1/2 Phil. Truss Hd.....	2
17	0P-678164	Lockwasher 1/4 Helical (SST).....	2
18	0A-108229	Panel - Cover (Front).....	1
19	0P-578212	Foam Tape.....	AR
20	0P-578224	Seal - Extrusion.....	AR
21	0P-578212	Foam Tape.....	AR
22	0P-678164	Lockwasher 1/4 Helical (SST).....	2
23	0P-678342	Cap Screw 1/4-20 x 1/2 Hex Hd. (SST).....	2
24	0A-108223	Panel - Cover (Left Side).....	1
25	0A-108631	Deflector - Splash Out, Tank.....	1

