



CDR-1100

**Front Operated Dough Roller
OPERATIONS MANUAL**



SOMERSET INDUSTRIES

137 PHOENIX AVE • LOWELL, MA 01852 • USA •
+1-978-667-3355

Email: somerset@smrset.com

Web: www.smrset.com

NOTICE !! READ CAREFULLY ALL INSTRUCTIONS BEFORE YOU START!!

UNCRATING AND SETUP

Cut off the Fastener wrapped around the machine and the base. Lift the machine straight up of the wooden base. Install the machine in its final position or temporarily secure it to a solid surface. Wipe off any dirt that may have accumulated during shipping. (Use a soft cloth) Check the nameplate for correct voltage and frequency. Plug the machine to the proper power source that matches the nameplate requirements. Press the power switch "ON" and check for proper operation of the machine.

!! WARNING !!

- **NEVER OPERATE THE MACHINE WITHOUT GUARDS IN PLACE**
- **KEEP YOUR HANDS AWAY FROM CHUTE**
- **DO NOT CLEAN THE MACHINE WHILE CONNECTED TO ELECTRICAL SUPPLY**
- **WATCH YOUR HANDS AND FINGERS**

MACHINE PREPARATION

The thickness of the final dough is determined by the gap between the rollers. Machines leaving the factory are adjusted as follows:

- **The top dial is aligned with the number 4.**
- **The bottom dial is aligned with the number 2.**



If these numbers are not correct or your product requires other adjustments, please make adjustments as follows:

- **Loosen the bottom clamping knob**
- **Move the handle such that the dial points close to line 2**
- **Tighten the clamping knob**

You may adjust both handles in any direction to produce the final product you require. Please note that the dial numbers are for reference only. Make sure the safety cover is closed and secured by the two thumbscrews.

!! Machine will not operate when safety cover is open or not secure !!

Dust the chute, front tray and discharge tray with flour before using the machine.

DOUGH PREPARATION

For best results, the dough to be rolled should be at room temperature.

The size and shape of the dough ball affects the size and shape of the finished crust. For round crusts, take a round piece of dough and flatten it slightly.

Dust the dough pieces with flour before putting them in the machine.

OPERATING PROCEDURE

The dough comes through the first pair of rollers, oblong in shape, and from the second set of rollers round in shape.

The rollers are easily adjustable to any thickness of pizza dough or crust you may need

With very little practice, the rollers can be adjusted so that a perfectly round piece of pizza dough or pie crust can be made with no waste.

For example. If making a 10" diameter of dough, set the top roller adjustment so that the dough comes out 10" long, and set the bottom roller adjustment so that it stretches to 10" in the other direction.

If dough does not slide easily on the discharge trays, dust the trays with flour.

If the dough tears or the machine make a thumping sound, this indicates that the dough is too thick to go through that particular setting of the rollers, which means your roller adjustment has to be opened more, or the dough is too cold and stiff and may require a longer rest period before use.

OPERATION



LOAD THE DOUGH INTO THE CHUTE.

!! WARNING !!

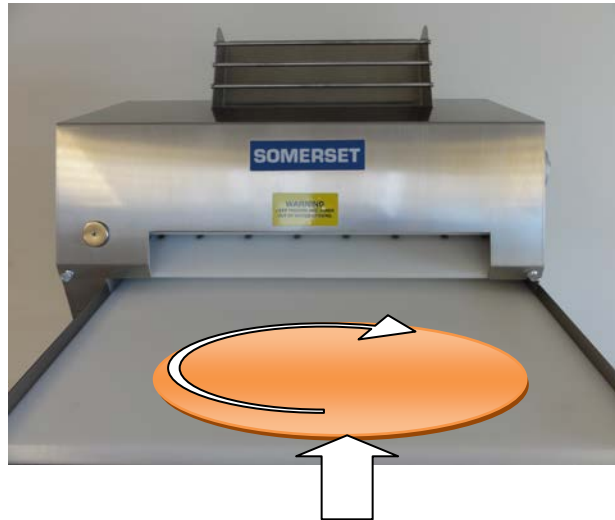
IF THE DOUGH GETS STUCK, TURN THE POWER OFF, OPEN THE SAFETY COVER AND REMOVE THE DOUGH.

!! WARNING !!

IF THE DOUGH GETS STUCK, TURN THE POWER OFF, OPEN THE SAFETY COVER AND REMOVE THE DOUGH.

NEVER ATTEMPT TO MOVE THE DOUGH BY HAND WHILE THE MACHINE IS RUNNING.

The dough is rolled through the first set of rollers.



Turn the elongated piece of dough $\frac{1}{4}$ of a turn, and at the same time push it back towards the second set of rollers.



The rounded piece of dough comes out on the discharge tray.

CLEANING

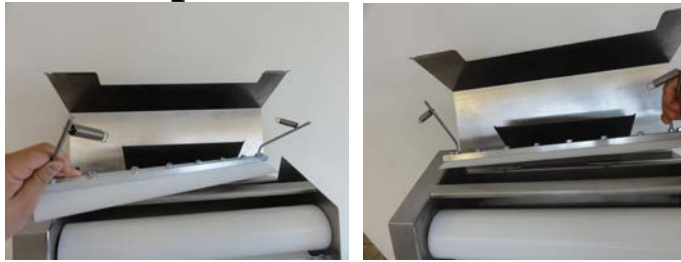
!! CAUTION !!
DISCONNECT THE POWER CORD OF THE MACHINE BEFORE
CLEANING!!

Open the safety cover by loosening the two thumb screws.



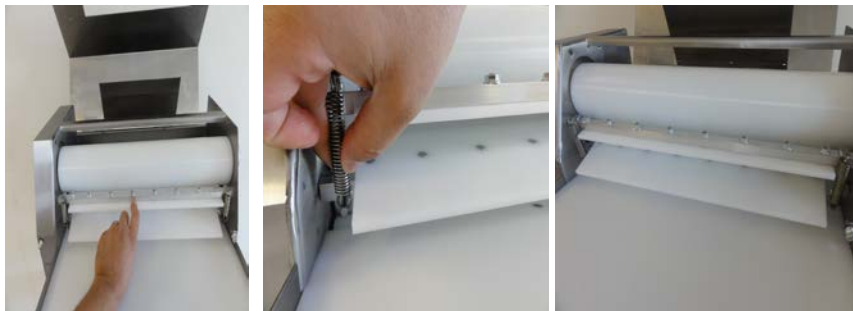
All scrapers are readily removable.

Scraper # 1



#1 is located behind the rollers in the back of the machine.
This scraper should sit on top of the scraper pins and point between the middle and bottom rolls.
When springs are latched, the beveled side of the scraper will push up against the middle roll.

Scraper # 2 & 3



#2 & #3 attach to one another. The #2 scraper lays on top of the scraper pins and the beveled edge pushes towards the top roll.
The springs from the #2 scraper attach to the #3 Scraper forcing the slots in the shaft to go inside the scraper pins. The #3 beveled edge pushes against the middle roll and acts as a guard also

Scraper # 4



#4 is located under the discharge tray and presses up against the bottom roll.
The slots on the scraper rest on top of the scraper pins pushing the plastic blade against the bottom roll. The springs latch onto the slotted pins under the scraper pins.

Quick Tips

Never use the emergency stop as an on and off switch. The emergency stop is to be used only in emergency situations.

Clean the rolls with a dry cloth. (NEVER USE WATER)

Install the scrapers in the opposite order of their removal.

Close the safety cover and secure it with the 2 thumb screws.

Turn the power ON, and the machine is ready to use.

If rolls ever start to squeal due to dryness, remove and clean the scraper blades thoroughly and rub the beveled edge with a cooking oil, like vegetable or canola. This technique will remove the squealing sound you get from friction between the roller and the dry scraper.

!! CAUTION !!

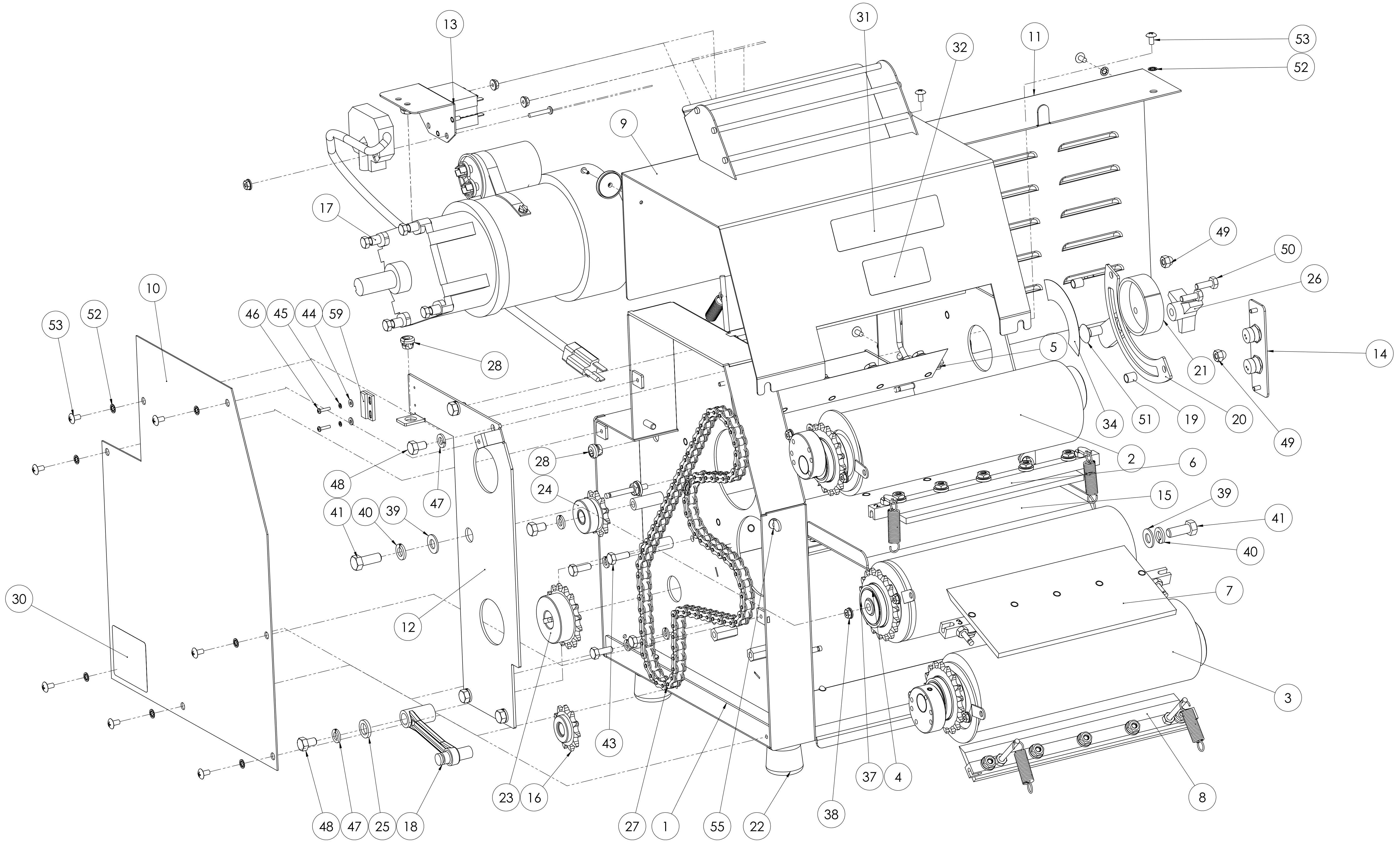
THIS MACHINE IS MAINTENANCE FREE.

NEVER USE OIL OR GREASE ON ANY OF THE MECHANICAL PARTS OF THE MACHINE.

ALL MECHANICAL PARTS ARE PERMANENT SELF LUBRICATED.



REVISIONS			
REV.	DESCRIPTION	DATE	APPROVED



UNLESS OTHERWISE SPECIFIED: **SOMERSET** **SOMERSET INDUSTRIES, INC.**
 LOWELL, MA, 01852

TITLE: 1100 EXPLODED

PROPRIETARY AND CONFIDENTIAL
 THE INFORMATION CONTAINED IN THIS DRAWING AND ASSOCIATED CAD DATA FILES IS THE SOLE PROPERTY OF SOMERSET INDUSTRIES. IT MAY NOT BE REPRODUCED IN PART, OR AS A WHOLE, OR SENT TO ANY OTHER VENDOR, WITHOUT THE EXPRESS WRITTEN CONSENT OF SOMERSET INDUSTRIES.

INTERPRET DRAWING PER:	DRAWN:	NAME:	DATE:
AND 114.9M-1982	G. HURLEY		12/17/2012
MATERIAL:	CHECKED:		
SEE NOTES	ENG APPR.:		
FNISH	MFG APPR.:		
DATABASE:SOLIDWORKS	Q.A.:		

SIZE DWG. NO. REV
D 1100-PART C
 SCALE: 1:2 WEIGHT N/A SHEET 1 OF 2

D 1100-PART NEW - C

ITEM NO.	PART NUMBER	DESCRIPTION	QTY.
1	1100-010	FRAME, CDR-1100 MAIN	1
	1100-011	BASE, RIGHT SIDE	1
	3010-219	PEM, FHS-0616-16ZI	4
	3010-206	PEM, FHS 420-12	4
	3010-203	PEM, FHS-207-8	4
	3010-201	PEM, YC3-16144	2
	2000-015	LOCATOR PLATE	1
	1100-013	PARTITION	1
	3010-206	PEM, FHS 420-12	1
	1100-017	CHANNEL, TOP	1
	1100-022	CHANNEL, INTAKE	1
	1100-012	SIDE, LEFT	1
	0500-015	LOCATOR HSG #10	3
	3010-204	PEM, FHS-0518-8	5
	3010-205	PEM, FHS-832-6	6
	3010-206	PEM, FHS 420-12	1
	3010-203	PEM, FHS-207-8	4
	3010-201	PEM, YC3-16144	2
	4000-233	SPACER, HEX 0.5 X 1.0	4
	3010-153	STUD, SCRAPER 2"	1
	3000-303	NUT, FLANGE 1/4-20	6
	0100-034	FOOT, 1.0 TALL X 1.125 DIA	4
	1100-035	BOARD, DISCHARGE	1
	1100-034	BOARD, DISCHARGE	1
	3010-202	PEM, FHS-0420-16	4
	2000-431	SHAFT, ALIGNMENT, IDLER SUPPORT	2
	3000-406	SCREW, 5/16-18 X 3/4 HEXHD GR8	1
	3000-102	WASHER, LOCK SPLIT 5/16	1
2	1100-400	ROLL, ASM UPPER	1
	1100-407	SHAFT, UPPER AND LOWER	1
	1100-457	ROLL SYNTHETIC/PIPE	1
	1100-451	ROLL ETF 00039TIVAR 11.125"	1
	1100-403	PIPE, ROLL 12.110	1
	4000-100	BEARING, R12RS ROLL	2
	3000-225	WASHER, NYLATRON 1.50	2
	2000-411	ECCENTRIC, UNIVERSAL	2
	2000-318	DISC, TOP COMPLETE	1
	2000-320	DISC, TOP	1
	2000-023	BRACKET, DISC	2
	2000-412	SPROCKET 41B18H ROLL	1
	3010-302	PIN, 21S 187-125	3
3	1100-401	ROLL, ASM LOWER	1
	1100-407	SHAFT, UPPER AND LOWER	1
	1100-457	ROLL SYNTHETIC/PIPE	1
	1100-451	ROLL ETF 00039TIVAR 11.125"	1
	1100-403	PIPE, ROLL 12.110	1
	4000-100	BEARING, R12RS ROLL	2
	3000-225	WASHER, NYLATRON 1.50	2
	2000-411	ECCENTRIC, UNIVERSAL	2
	2000-317	DISC LOWER COMPLETE	1
	2000-321	DISC, LOWER	1
	2000-023	BRACKET, DISC	2
	2000-412	SPROCKET 41B18H ROLL	1
	3010-302	PIN, 21S 187-125	3
4	1100-402	ROLL, ASM MIDDLE	1
	1100-408	SHAFT, MIDDLE	1
	1100-457	ROLL SYNTHETIC/PIPE	1
	1100-451	ROLL ETF 00039TIVAR 11.125"	1
	1100-403	PIPE, ROLL 12.110	1
	4000-100	BEARING, R12RS ROLL	2
	2000-412	SPROCKET 41B18H ROLL	1
	3010-302	PIN, 21S 187-125	1
	2000-316	DISC MIDDLE COMPLETE	1
	2000-319	DISC, MIDDLE	1
	2000-023	BRACKET, DISK	2
5	1100-500	SCRAPER, COMPLETE #1	1
	1100-520	SHAFT, SCRAPER #1 1100	1

ITEM NO.	PART NUMBER	DESCRIPTION	QTY.
	1100-510	SCRAPER #1	1
	3010-202	PEM, FHS-0420-16	5
	3000-303	NUT, FLANGE 1/4-20	5
	3000-306	NUT, HEX 1/4-20	2
	3010-150	STUD, SCRAPER 6 1/4" BENT	2
	4000-251	SPRING, SCRAPER	2
6	1100-501	SCRAPER, COMPLETE #2	1
	1100-521	SHAFT, SCRAPER #2	1
	1100-511	SCRAPER #2	1
	3010-202	PEM, FHS-0420-16	5
	3000-303	NUT, FLANGE 1/4-20	5
	3000-306	NUT, HEX 1/4-20	2
	3010-100	STUD, SCRAPER 21/32 BENT	2
	4000-251	SPRING, SCRAPER	2
7	1100-502	SCRAPER, COMPLETE #3	1
	1100-522	SHAFT, SCRAPER #3	1
	1100-512	SCRAPER #3	1
	3010-202	PEM, FHS-0420-16	5
	3000-303	NUT, FLANGE 1/4-20	5
	3000-306	NUT, HEX 1/4-20	2
	3010-151	STUD, SCRAPER 1 3/8"	2
8	1100-503	SCRAPER, COMPLETE #4	1
	1100-523	SHAFT, SCRAPER #4	1
	1100-513	SCRAPER #4	1
	3010-202	PEM, FHS-0420-16	5
	3000-303	NUT, FLANGE 1/4-20	5
	3000-306	NUT, HEX 1/4-20	2
	3010-152	STUD, SCRAPER 2 1/2"	2
	4000-251	SPRING, SCRAPER	2
9	1100-120	COVER, SAFETY COMPLETE	1
	1100-121	COVER, SAFETY	1
	1100-122	HOPPER, SAFETY	1
	1100-124	BAR, SAFETY 1/4	3
	4000-150	MAGNET, SAFETY COVER	1
	3010-500	RIVET, 1/8 X .375	1
10	1100-302	COVER, HOUSING	1
11	1100-301	PANEL, LOUVERED	1
12	1100-231	PLATE, ECCENTRIC COMPLETE	1
13	1100-632	HARNES/RELAY ASSY 120V	1
	2000-632	RELAY 110 VAC	1
	2000-328	BRACKET, RELAY	1
	3010-205	PEM, FHS-832-6	3
	3010-206	PEM, FHS 420-12	1
	5000-230	HARNES, POWER MOLDED	1
	5000-150	RELAY, 120 VAC	1
	3000-416	SCREW, 8-32 X 1 PAN HD PH	1
	3000-300	NUT, FLANGE 8-32	3
14	2000-629	SWITCH PLATE ASSY	1
	2000-330	PLATE, P.B. SWITCH	1
	3010-205	PEM, FHS-832-6	2
	5000-202	SWITCH POWER RED	1
	5000-203	SWITCH POWER GREEN	1
15	1100-600	TRAY, INTAKE COMPLETE	1
	1100-300	TRAY, INTAKE	1
	3010-206	PEM, FHS 420-12	4
	1100-304	BOARD, INTAKE 3/8X11	1
	1100-303	BOARD, INTAKE 3/8X11	1
	3010-206	PEM, FHS 420-12	2
	3000-401	SCREW, 6 X 3/8 HEX WSH SLOTTED SELFTAP	5
	3000-306	NUT, HEX 1/4-20	2
16	2000-630	SPROCKET 41B11H IDLER W/BUSHING	1
	2000-430	SPROCKET 41B11H IDLER	1
	4000-550	BUSHING, GARLOCK	1
17	5000-117	GEAR MOTOR, 1/4 HP BISON (CDR-1100 REPLACEMENT)	1
	2000-418	SPACER TUBING	4
	3000-419	SCREW, 1/4-28 X 1.25 HEXHD	4

ITEM NO.	PART NUMBER	DESCRIPTION	QTY.
	5000-116	GEAR MOTOR, 1/4 HP BISON (CDR-100 REPLACEMENT)	1
18	2100-428	ARM, IDLER	1
19	2000-418	SPACER TUBING	4
20	2000-417	PLATE, ADJUST	2
21	2000-423	HANDLE, ROLL ADJUST	2
22	4000-300	LEG TIP RUBBER	4
23	4000-502	SPROCKET 41B16H X 3/4 W/ KEY	1
24	4000-521	SPROCKET 41B11H TAKEUP	1
	4000-501	SPROCKET 41B11H TAKEUP	1
	4000-551	BUSHING 08DU14 GARLOCK	1
25	4000-011	SPACER .50ID X .78OD X .123 PL	1
26	4000-400	KNOB, LOCKING	2
27	4000-354	CHAIN 41 RIV 88 (2000-1550)	1
28	5000-274	BUSHING, STR REL MICRO	2
29	5000-276	BUSHING, 90 STR REL HEYCO1320	1
30	5000-311	LABEL, ETL	1
31	5000-312	LABEL, "SOMERSET" 3"	1
32	5000-313	LABEL, "KEEP FINGERS..."	1
33	5000-314	LABEL, "DO NOT OPERATE..."	1
34	5000-315	LABEL, CW INDICATOR GRADUATED	1
35	5000-316	LABEL, CCW INDICATOR GRADUATED	1
36	5000-317	LABEL, NSF	1
37	3000-225	WASHER, NYLATRON 1.50	3
38	3000-300	NUT, FLANGE 8-32	8
39	3000-201	WASHER, FLAT 3/8	2
40	3000-103	WASHER, LOCK SPLIT 3/8	2
41	3000-409	SCREW, 3/8-16X1 HEXHD SS	2
42	3000-106	WASHER, LOCK SPLIT 1/4	4
43	3000-404	SCREW, 1/4-20 X 3/4 HEXHD	4
44	3000-204	WASHER, FLAT #4	2
45	3000-104	WASHER, LOCK SPLIT #4	2
46	3000-400	SCREW, 4-40 X 1/2 PAN HD PH	2
47	3000-102	WASHER, LOCK SPLIT 5/16	6
48	3000-405	SCREW, 5/16-18 X 1/2 HEXHD	6
49	3000-302	NUT, ACORN 1/4-20	4
50	3000-417	SCREW, 1/4-28 X 3/4 HEXHD	4
51	3000-408	SCREW, 3/8-16 X 3/4 CARRIAGE BOLT	2
52	3000-101	WASHER LOCK #10 INT TOOTH	13
53	3000-402	SCREW, 10-32 X 3/8 TRUSS PH SS	13
54	3000-303	NUT, FLANGE 1/4-20	5
55	3000-403	SCREW, 1/4-20 X 1/2 THUMB W/SHOULDER	2
56	2000-424	STOP, HANDLE ADJ POSITION	4
57	3000-340	SCREW, 10-32 X 1/4 SET HEX	4
58	4000-420	WRENCH, ALLEN 3/32	1
59	5000-225	SWITCH, ELECTRONIC	1
60	5000-272	CABLE TIE, 3M	5
61	5000-261	ORANGE WIRE NUT	5

UNLESS OTHERWISE SPECIFIED: **SOMERSET** SOMERSET INDUSTRIES, INC.

THE INFORMATION CONTAINED IN THIS DRAWING AND ASSOCIATED CAD DATA FILES IS THE SOLE PROPERTY OF SOMERSET INDUSTRIES. IT MAY NOT BE REPRODUCED IN PART, OR AS A WHOLE, OR SENT TO ANY OTHER VENDOR, WITHOUT THE EXPRESS WRITTEN CONSENT OF SOMERSET INDUSTRIES.

INTERPRET DRAWING PER: AND/14-SM-1982

MATERIAL: SEE NOTES

FINISH: N/A

DATABASE: SOLIDWORKS

DATE: 12/17/2012

NAME: G. HURLEY

DATE: 12/17/2012

SIZE: DWG. NO. **D 1100-PART**

SCALE: 1:2 WEIGHT N/A SHEET 2 OF 2

REV: **C**

TITLE: 1100 EXPLODED