



# Hot & Crisp Fry Station

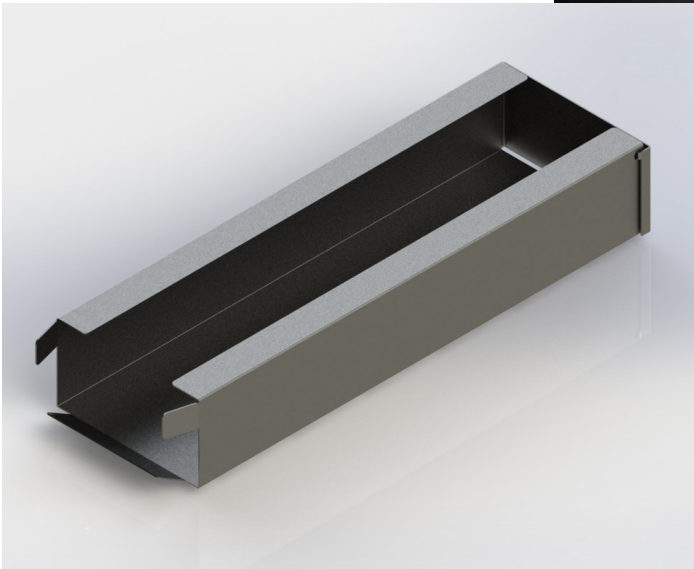
MG3 Model FD014100



## Replacement Parts Catalog



**PRODUCT DETAILS**



**Function**

- **Holds Large Size Fry Cartons**

**Features**

- **Easy to use keyhole style mounting system**
- **Easy load swing open top**

**FD018126-L**

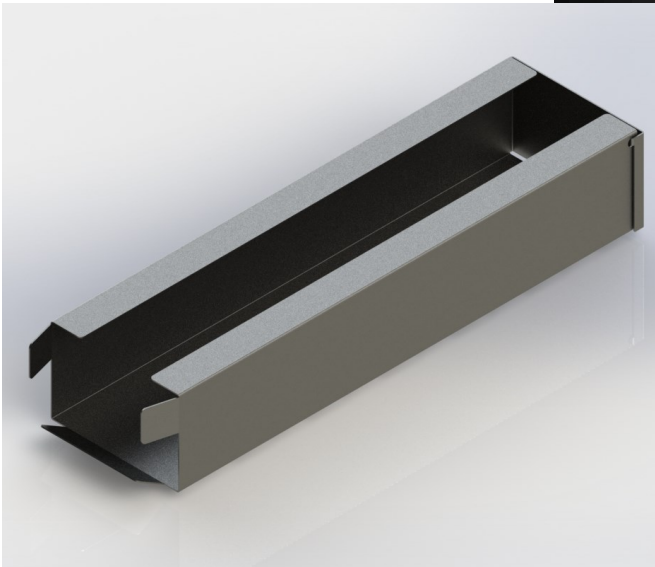
**Dimensions: 16" H x 4.93" W x 2.5" D**

**Weight: 1.7lbs**

***FD018126-L Fry Carton Dispenser***



**PRODUCT DETAILS**



**Function**

- Holds Medium Size Fry Cartons

**Features**

- Easy to use keyhole style mounting system
- Easy load swing open top

**FD018126-M**

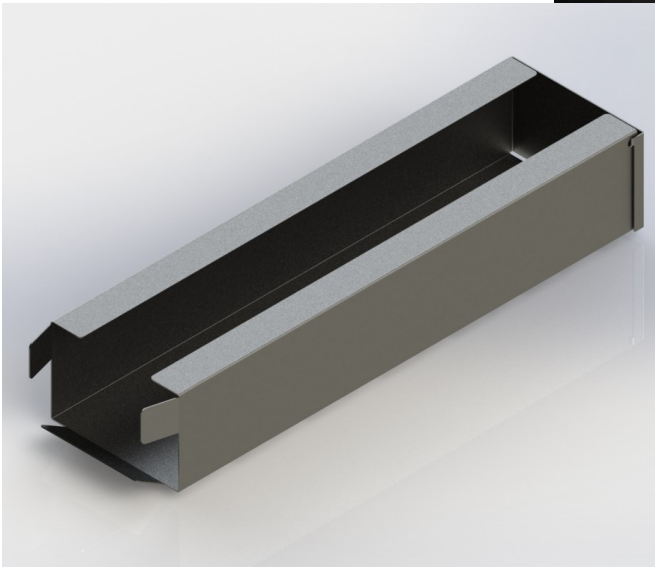
**Dimensions: 16" H x 4.18" W x 2.75" D**

**Weight: 1.7lbs**

***FD018126-M Fry Carton Dispenser***



**PRODUCT DETAILS**



**Function**

- Holds Small Size Fry Cartons

**Features**

- Easy to use keyhole style mounting system
- Easy load swing open top

**FD018126-S**

**Dimensions: 16" H x 4.18" W x 2.75" D**

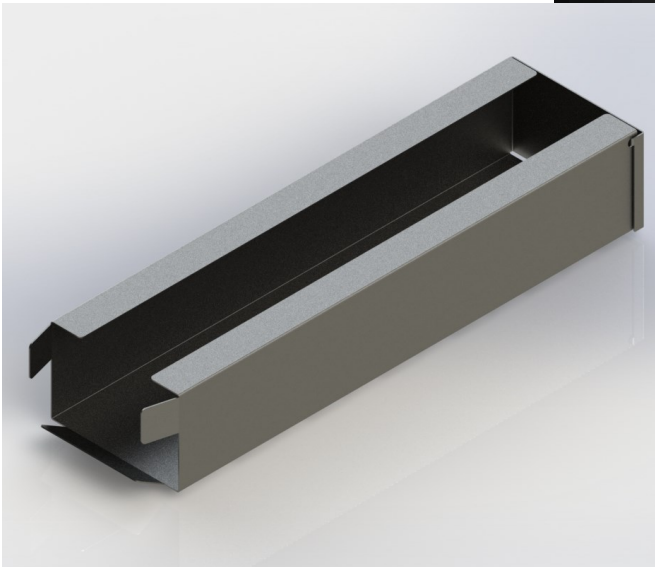
**Weight: 1.7lbs**

***FD018126-S Fry Carton Dispenser***

**FD018126-V**



**PRODUCT DETAILS**



**Function**

- Holds Value Size Fry Cartons

**Features**

- Easy to use keyhole style mounting system
- Easy load swing open top

**FD018126-V**

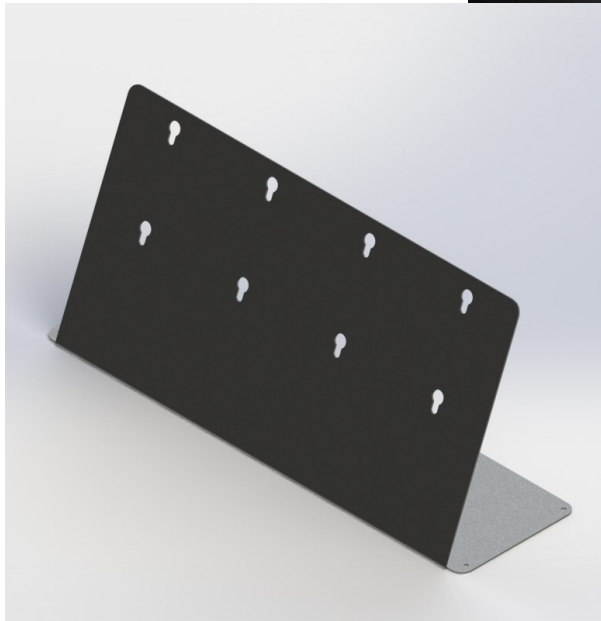
**Dimensions: 16" H x 4.18" W x 2.75" D**

**Weight: 1.7lbs**

**FD018126-V Fry Carton Dispenser**



**PRODUCT DETAILS**



**Function**

- **Mounting Bracket For Fry Carton Dispensers**

**Features**

- **Easy to use keyhole style mounting system**
- **Fits large, medium, small, and value dispensers**

**FD018125**

**Dimensions: 9.62" H x 21.5" W x 6.12" D**

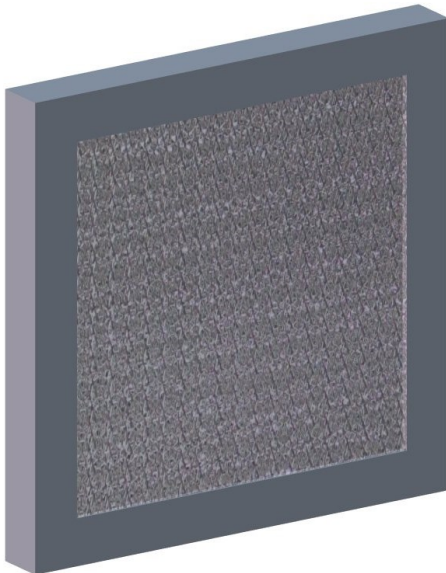
**Weight: 7lbs**

***FD018125 Fry Carton Bracket***

**7000732-8**



## **PRODUCT DETAILS**



### **Function**

- **8"x8" Air Filter**

### **Features**

- **Wire mesh design for easy cleaning**

**7000732-8**

**Dimensions: 8" H x 8" W x .5" D**

**Weight: .546lbs**

**7000732-8 8x8 Air Filter**

**FD018131**



**PRODUCT DETAILS**



**Function**

- **Fry Station Double Salt Shelf**

**Features**

- **Holds two salt shakers**
- **Easy to use keyhole mounting style**

**FD018131**

**Dimensions: 2.5" H x 9" W x 5" D**

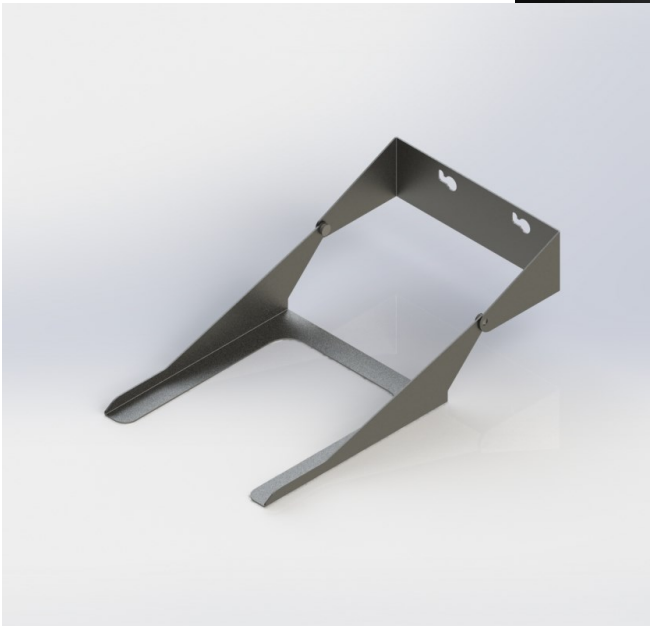
**Weight: 1.4lbs**

**FD018131 Double Salt Shelf**

**FD018132**



**PRODUCT DETAILS**



**Function**

- Holds Ready Chicken Nuggets

**Features**

- Easy to use keyhole style mounting system

**FD018132**

**Dimensions: 3" H x 8" W x 15.12" D**

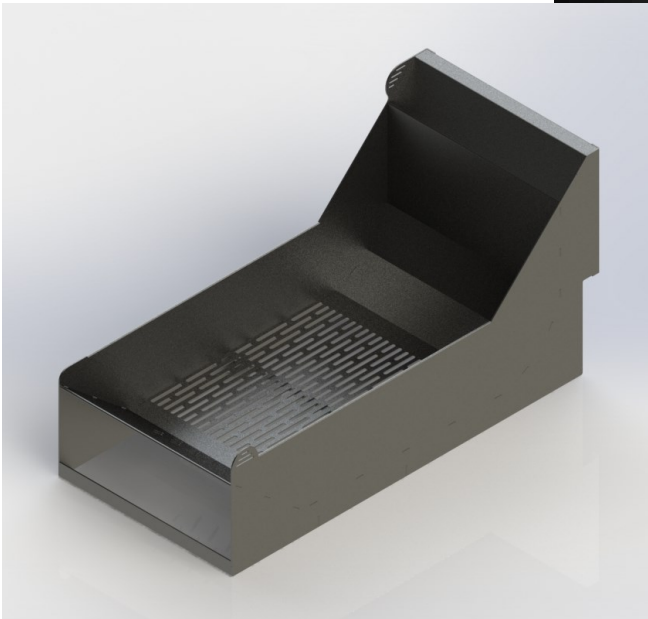
**Weight: 1.3lbs**

***FD018132 Nugget Holding Pan  
Bracket***

**FD018122**



**PRODUCT DETAILS**



**Function**

- Holds Cooked Fries

**Features**

- Separates fries for consistency
- Holds one basket of fries

**FD018122**

**Dimensions: 10.62" H x 10" W x 21.06" D**

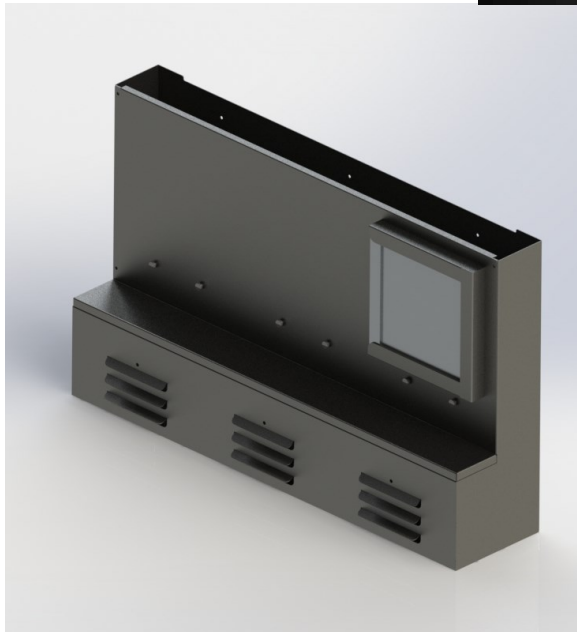
**Weight: 9lbs**

***FD018122 Fry Dump Pan***

**FD014123**



**PRODUCT DETAILS**



**Function**

- **Holding Box For Fry Lane Heater Inserts**

**Features**

- **Easy to remove filter**
- **Heats all three fry lanes**

**FD014123**

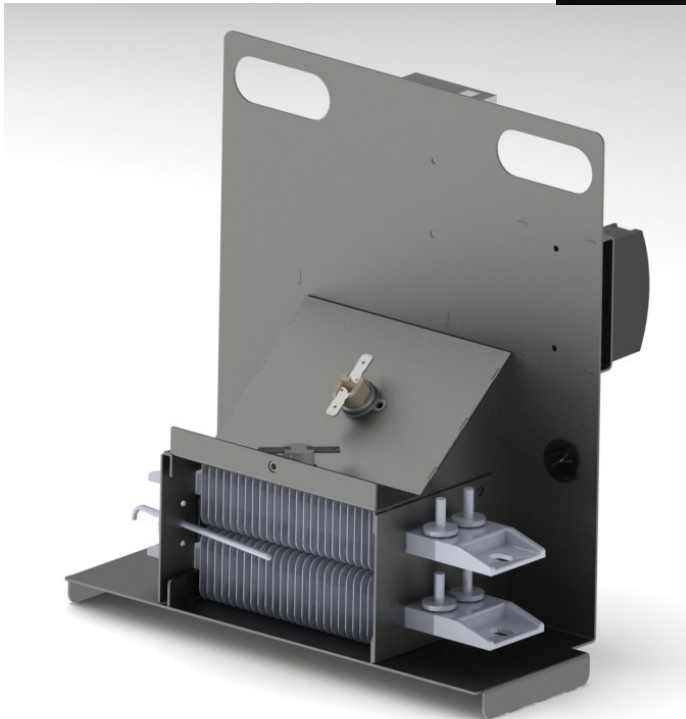
**Dimensions: 18.31" H x 30.06" W x 6.81" D**

**Weight: 22lbs**

***FD014123 Fry Lane Heater Box***



**PRODUCT DETAILS**



**FD018124**

**Dimensions: 10.06" H x 9.7" W x 5.95" D**

**Weight: 6lbs**

**Operating Voltage**

- **120 Volts, 10.5 Amp, 1250 Watt operation**

**Function**

- **Single lane forced air fry heating system**

**Features**

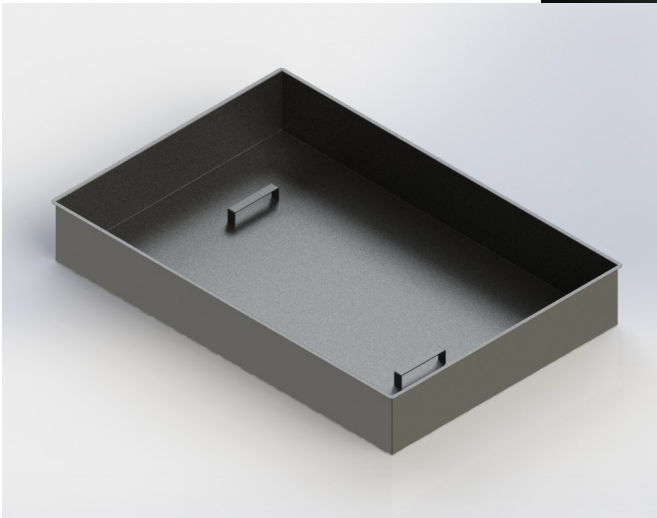
- **1250 watts of heating power**
- **Dual safety limits**
- **Programmable thermostat**

***FD018124 Fry Lane  
Heating Insert***

**FD018121**



**PRODUCT DETAILS**



**Function**

- Holds (3) Fry Dump Pans

**Features**

- Easy lift handles for cleaning

**FD018121**

**Dimensions: 4.62" H x 20.75" W x 30.62" D**

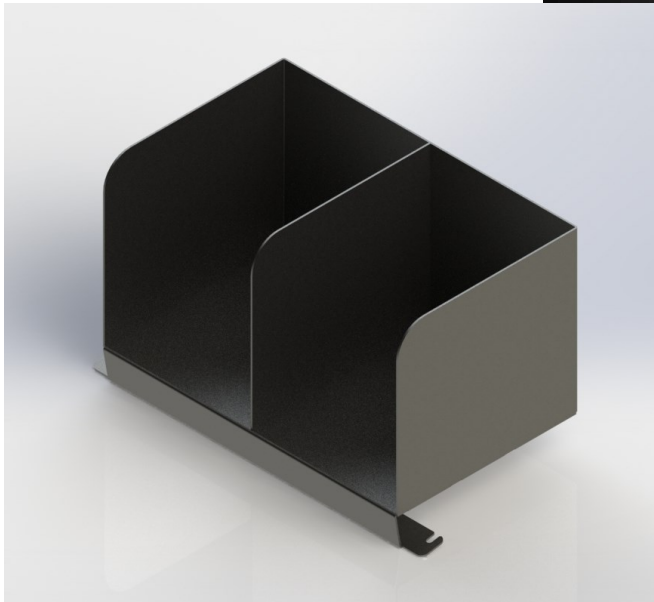
**Weight: 15lbs**

***FD018121 Fry Lane Holding Pan***

**FD018127**



**PRODUCT DETAILS**



**Function**

- **Chili Cheese Fry Tray And Lid Holder**

**Features**

- **Holds both trays and lids for chili cheese fries**

**FD018127**

**Dimensions: 7.18" H x 12.37" W x 6.75" D**

**Weight: 5lbs**

***FD018127 Chili Cheese Fry  
Tray & Lid Holder***

**FD018128**



**PRODUCT DETAILS**



**Function**

- Heated Fry Staging Ribbon

**Features**

- Heated fry holding
- 3 rows hold several ready orders of any size

**FD018128**

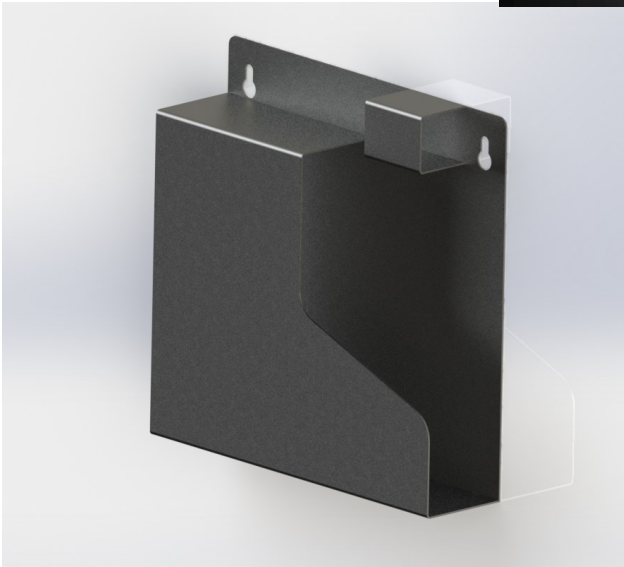
**Dimensions: 2.31" H x 6.93" W x 9.18" D**

**Weight: 2.3lbs**

***FD018128 3 Row Fry Staging Ribbon***



**PRODUCT DETAILS**



**Function**

- **Holding Box For Fry Lane Heater Inserts**

**Features**

- **Easy to remove filter**
- **Heats all three fry lanes**

**FD018169-SCOOP**

**Dimensions: 9.87" H x 10" W x 2.5" D**

**Weight: 5lbs**

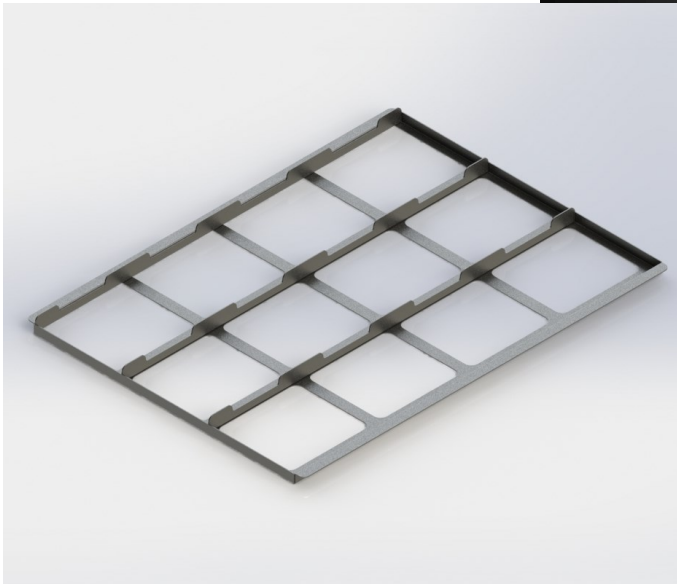
**FD018169-SCOOP**

**Tong and Scoop Holder**

**FD018142**



## **PRODUCT DETAILS**



### **Function**

- **Insert For Fry Station Portioning Pan**

### **Features**

- **Holds (12) 1/6th size pans for fry portioning**
- **Easy removal for cleaning**

**FD018142**

**Dimensions: 1.25" H x 21.25" W x 28" D**

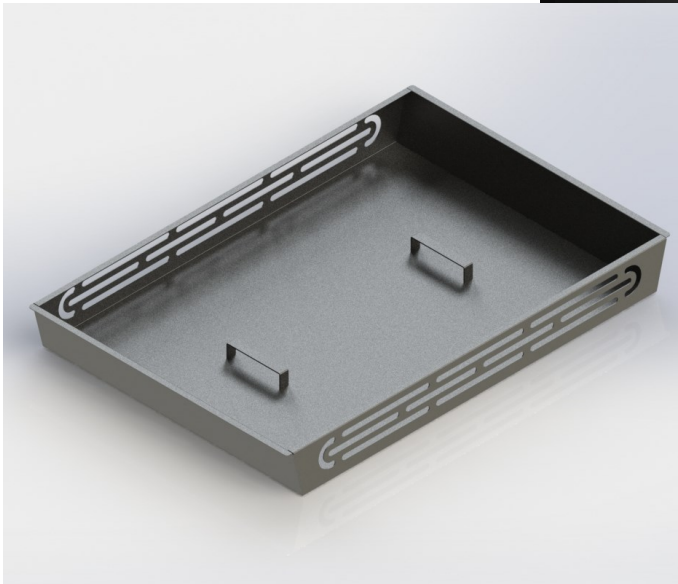
**Weight: 6lbs**

***FD018142 Pan Insert***

**FD018146**



## **PRODUCT DETAILS**



### **Function**

- **Fry Portioning Pan**

### **Features**

- **Holds (12) 1/6th size pans**
- **Handles for easy removal and cleaning**

**FD018146**

**Dimensions: 3.12" H x 19.5" W x 28.56" D**

**Weight: 11lbs**

***FD018146 Fry Portioning Pan***



**PRODUCT DETAILS**



**Function**

- **Front For Drawer Assembly**

**Features**

- **Insulated Drawer Front**
- **Magnetic Gasket**

**FD018146**

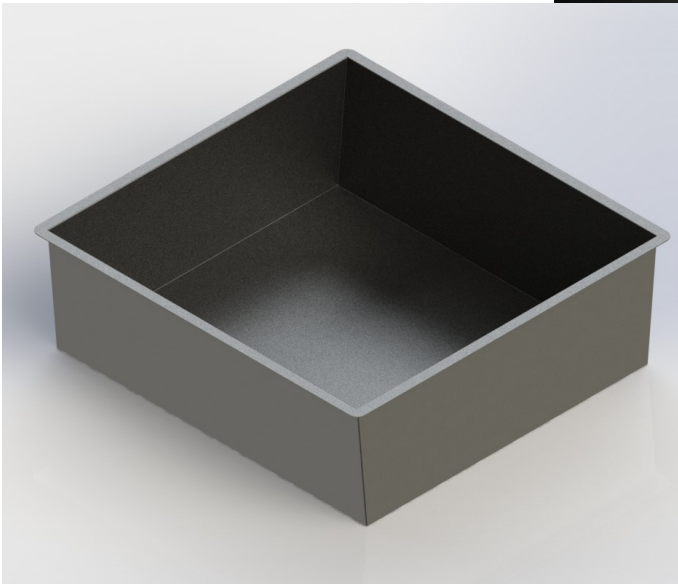
**Dimensions: 10.75" H x 24" W x 1.875" D**  
**Weight: 10lbs**

***FD018141-DF Drawer Front***

**FD018144**



**PRODUCT DETAILS**



**Function**

- **Bottom Drawer Bulk Storage Pan**

**Features**

- **Convenient bulk fry storage**

**FD018144**

**Dimensions: 6.875" H x 20.75" W x 20.06" D**

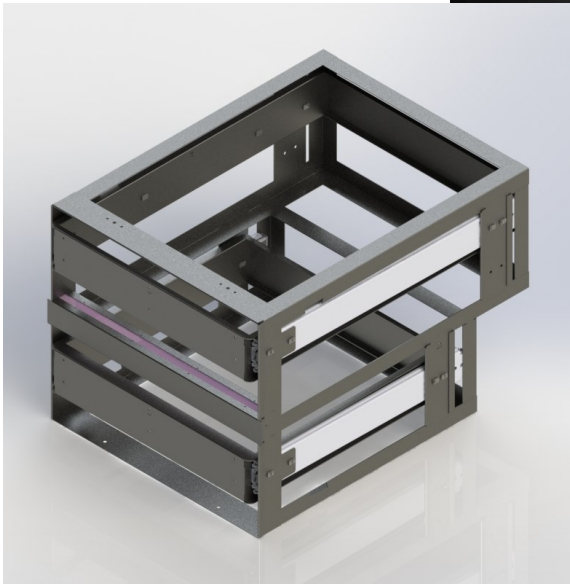
**Weight: 12lbs**

***FD018144 Bulk Storage Pan***

**FD018141**



**PRODUCT DETAILS**



**Function**

- **Drawer Insert**

**Features**

- **(2) drawers for fry storage**
- **Large top drawer for portioning pans**
- **Heavy duty drawer slides**

**FD018141**

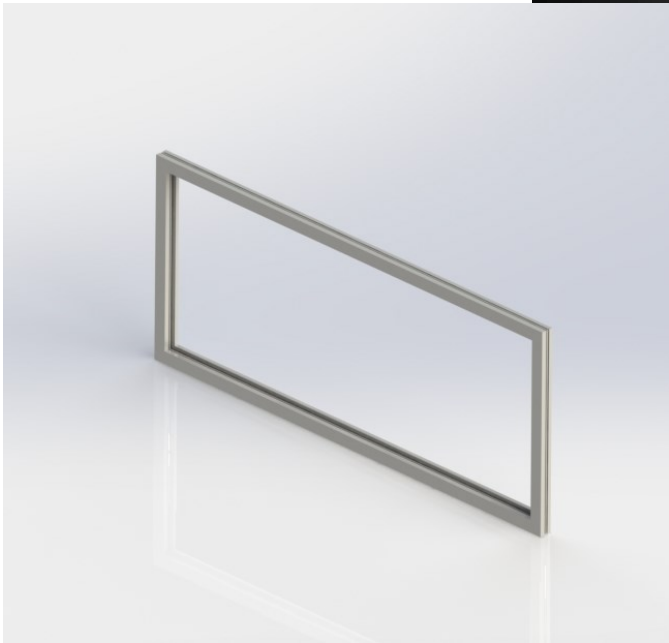
**Dimensions: 19.62" H x 21.81" W x 29.25" D**

**Weight: 68lbs**

***FD018141 Drawer Assembly  
Insert***



**PRODUCT DETAILS**



**Function**

- **Drawer Gasket**

**Features**

- **Magnetic**

**7000272-14**

**Dimensions: 10.18" H x 23.75" W x .5" D**

**Weight: 1lb**

**7000272-14 Drawer Gasket**

7000486-03320022



## PRODUCT DETAILS



### Function

- 22" Heavy Duty Drawer Slide

### Features

- 500lb capacity

**7000486-03320022**

**Dimensions: 3.16" H x .75" W x 22.18" D**

**Weight: 6lbs**

**7000486-03320022 Heavy Duty  
Drawer Slide**

7000486-03320028



## PRODUCT DETAILS



### Function

- 28" Heavy Duty Drawer Slide

### Features

- 500lb capacity

**7000486-03320028**

**Dimensions: 3.18" H x .75" W x 28.18" D**

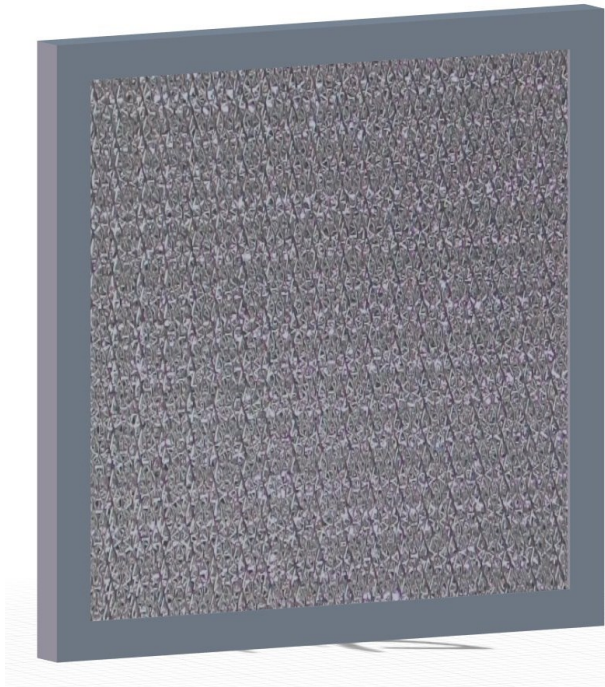
**Weight: 7lbs**

**7000486-03320028 Heavy Duty  
Drawer Slide**

**7000732-13**



## **PRODUCT DETAILS**



**7000732-13**

**Dimensions: 13" H x 13" W x .5" D**

**Weight: .62lbs**

### **Function**

- **13"x13" Air Filter**

### **Features**

- **Wire mesh design for easy cleaning**

**7000732-13 13x13 Air Filter**

7000015



## PRODUCT DETAILS



7000015

### Operating Voltage

- 120 volts, .1 amps

### Function

- Refrigeration Temperature Control

### Features

- Digital display
- Dual temperature probes

**MR4PMUHV-12 Johnson Controls  
Temperature Control**

7000009



## PRODUCT DETAILS



7000009

### Function

- High Pressure Switch

### Features

- SPDT type switch
- 100 PSIG to 400 PSIG Range
- 40 PSI to 150 PSI differential

**016-108 Ranco**  
**High Pressure Control**

7000025



## PRODUCT DETAILS



### Operating Voltage

- 115 Volts, 5.3 Amps, 60 Hertz

### Function

- 1/10 HP Compressor / Condensing Unit

7000025

**ASE12C4E-IAA-103 Copeland  
Condensing Unit**

7000011



## PRODUCT DETAILS



### Function

- 1/4 ODF, 3/4 ODF Expansion Valve

7000011

# ***ACP1 Emerson Expansion Valve***



## PRODUCT DETAILS



### Operating Voltage

- 120 volts, 3.5 amps

### Function

- Evaporator coil

**7000048-NOBRACKET**

***BBL10AG Heatcraft  
Evaporator Coil***

901692



## PRODUCT DETAILS



### Function

- Evaporator Drain Pan

**901692**

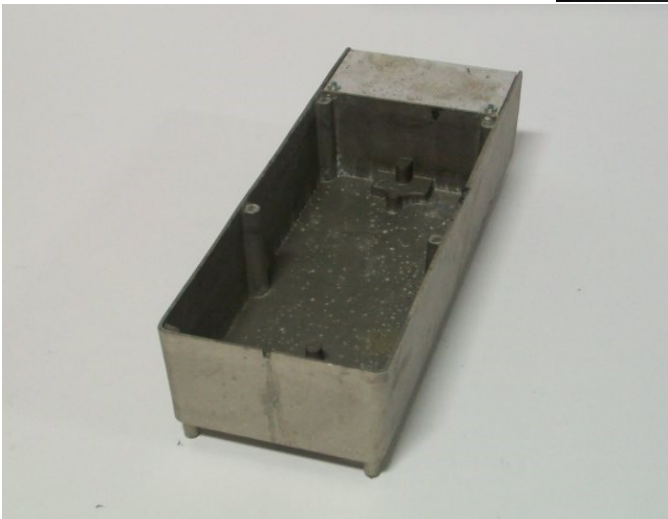
**Dimensions: 4.43" H x 4.59" W x 16.64" D**

**901692 Evaporator Drain Pan**

7000023-72



**PRODUCT DETAILS**



**7000023-72**

**Operating Voltage**

- **120 Volts, 2.5 Amps**

**Function**

- **Condensate Evaporator Pan**

**Pan and Power Cord can be purchased individually**

***T12-5000 Component Hardware  
Condensate Evaporator Pan***

7000733-180



## PRODUCT DETAILS



### Operating Voltage

- 120 Volts, .1 Amps

### Function

- Drain Heating Wire

7000733-180

**7000733-180 Drain Heater**

7000737-330



**PRODUCT DETAILS**



**Function**

- Safety Limit

**Features**

- 330° f setpoint
- Automatic reset

7000737-330

**US-622**  
**330° Snap Disc**

7000737-400



**PRODUCT DETAILS**

**Function**

- Safety Limit



**Features**

- 400° f set-point
- Push to reset

7000737-400

**1NT08L-3663 Klixon  
400° Snap Disc**

7000291-OYL



**PRODUCT DETAILS**



**7000291-OYL**

**Operating Voltage**

**115 Volts, .1 Amp Operation**

**Function**

- **Axial Fan**

**4600Z EBM-Papst  
Axial Fan**

7000738



## PRODUCT DETAILS



7000738

### Function

- Solid State Relay

### Features

- Green LED indicator
- Protective touch safe cover
- Built in MOV protection

***RM1A23D25 Carlos Gavazzi  
Solid State Relay***



**PRODUCT DETAILS**



**7000781-TEMPCO**

**Operating Voltage**

- 120 Volts, 5.2 Amp, 625 Watt Operation

**Function**

- Heating Element For FD018124 Fry Lane Heating Insert

**Features**

- Finned casing for more efficiency
- 625 Watts of heating power

**CSF00747 Tempco  
Heating Element**

7000786



## PRODUCT DETAILS



7000786

### Operating Voltage

- 100-240 Volts, 3 Watts

### Function

- Temperature Control Unit

### Features

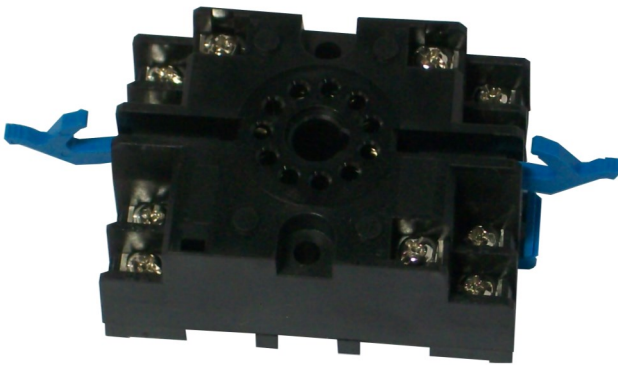
- PID control
- Digital display screen
- 100ms High speed sampling
- Built in MOV protection

# ***TC4SP-14R Autonics Temperature Controller***

7000787



## PRODUCT DETAILS



### Function

- Socket For Temperature Controller

### Features

- Din rail mounting system

7000787

***PS-11 Autonics  
Temperature Control Socket***

7000796



**PRODUCT DETAILS**



**Function**

- Portioning Pan

**7000796**

**Dimensions: 6" H x 6.87" W x 6.56" D**

**Weight: .94lbs**

**7000796 1/6th Size Pan**

7000834



## PRODUCT DETAILS



### Function

- Temperature Probe

### Features

- K type thermocouple

7000834

***K Type Thermocouple***



**PRODUCT DETAILS**

**Operating Voltage**

- **12 Volts DC, .13 Amps**



**Function**

- **(3) Lane Fry Timer**

**Features**

- **Breakfast, Lunch, and Dual Serve modes**
- **8 minute hold times**

**FD018188**

***TLT-3 Henny Penny  
Timer***

**7000748-12**



**PRODUCT DETAILS**

**Operating Voltage**

**12 DC Volts, .2 Amps, 4 Watt Operation**



**Function**

- **LED Light Strip**

**7000748-12**

**WLF-WW30SMD**  
**LED Light Strip**