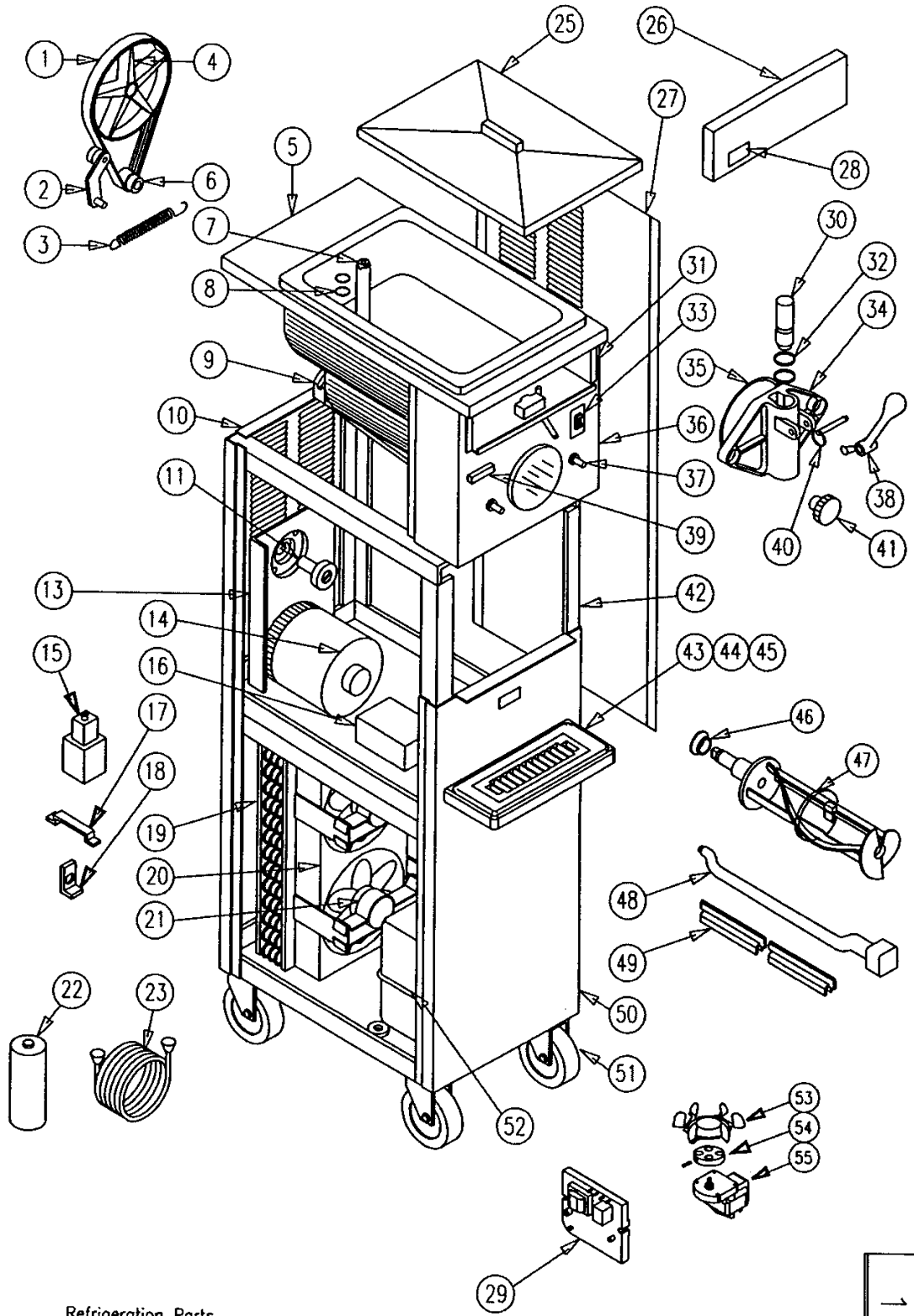


Saniserv.Net

Parts List
 (208-230V, 1PH & 3PH, 60 HZ)
 Model 414

1. Bell 58880
2. Belt Idler 103249
3. Idler Spring 64504
4. Driven Pulley 10207
5. Mix Pan and Top Cover Assy. 105453
6. Drive Pulley 10208
7. Carburetor Tube 105692-01
 Carb Tube Insert 105979
8. Carb Tube O-Ring (2) 58947
9. Drip Chute 105360
10. Hanger 105369
11. A/C Back Panel 108019
 W/C Back Panel 106179
12. Bearing & Shaft 2858
13. Evaporator Support 106171
14. Dasher Motor 1HP 1PH 75256
 Dasher Motor 1HP 3PH 75641
15. Water Valve 1593
 Mounting Bracket 105873
16. High Pressure Switch 71090
17. W/C Condenser Clamp 105451
18. Water Inlet 2941
19. A/C Condenser Assy. 105234
 A/C Condenser 75405
20. Shroud Assembly 105236
 Mounting Brackets (2) 7199
21. Fan Motors (2) 75138
 Fan Blades (2) 75312
22. Receiver 75115
23. W/C Condenser 75045
24. Lower Frame Assy. 108201
 A/C Base Plate 108612
 W/C Base Plate 108613
25. Mix Pan Lid 107794
26. Wiring Box Cover 105346-02
27. Side Panel (2) 106177
28. Logo 16039
29. Liquid Level Control Board 70598
30. Spigot Plunger 105503
31. Wire Box Assy (See Below)
32. Spigot O-Ring (2) 58923
33. Auto/Cleanout Switch 70023
 Switch Decal 9510
34. Front Plate 65631
35. Front Plate O-Ring 58911
36. Upper Front Panel 105341
37. Front Plate Studs (2) 7107
38. Spigot Handle 65632-01
39. Mix Out Light 70423
40. Faspin 64255
41. Knobs (2) 64065
42. Upper Frame Assy. 105326
43. Drip Tray Support 108968
44. Drip Tray 108865
45. Drip Tray Insert 108866
46. Rear Seal 108541
47. Dasher 3113-01
48. Stator Rod 65633
49. Scraper Blades (2) 104984
50. Lower Front Panel 107996
51. Castor 188124
52. Compressor 2HP 1PH 75736
 Compressor 2HP 3PH 75742
 Start Capacitor 75738
 Run Capacitor 75739
 Relay 75737
53. Top Agitator 108919
54. Magnetic Drive 108928
55. Motor 75816



- Refrigeration Parts
- Capillary Tube 108714
 - EPR Valve 71082
 - Expansion Valve 71042
 - Filter/Drier 71010

ORIGINAL

180965

| | | | |
|---------------------------|---------------------------------------|--|--------------|
| SaniServ Exploded View | Model 414 | BOM 41410NO, 41411NO, 41430NO, 41431NO | |
| | Description 208-230V, 1PH & 3PH, 60Hz | File 180965F.DWG | |
| | Wiring Box 1PH 15673, 3PH 15682 | ECN 1387 | Date 3/26/01 |
| | Wiring Dia. 1PH 81317, 3PH 81316 | Sheet 1 of 1 | |