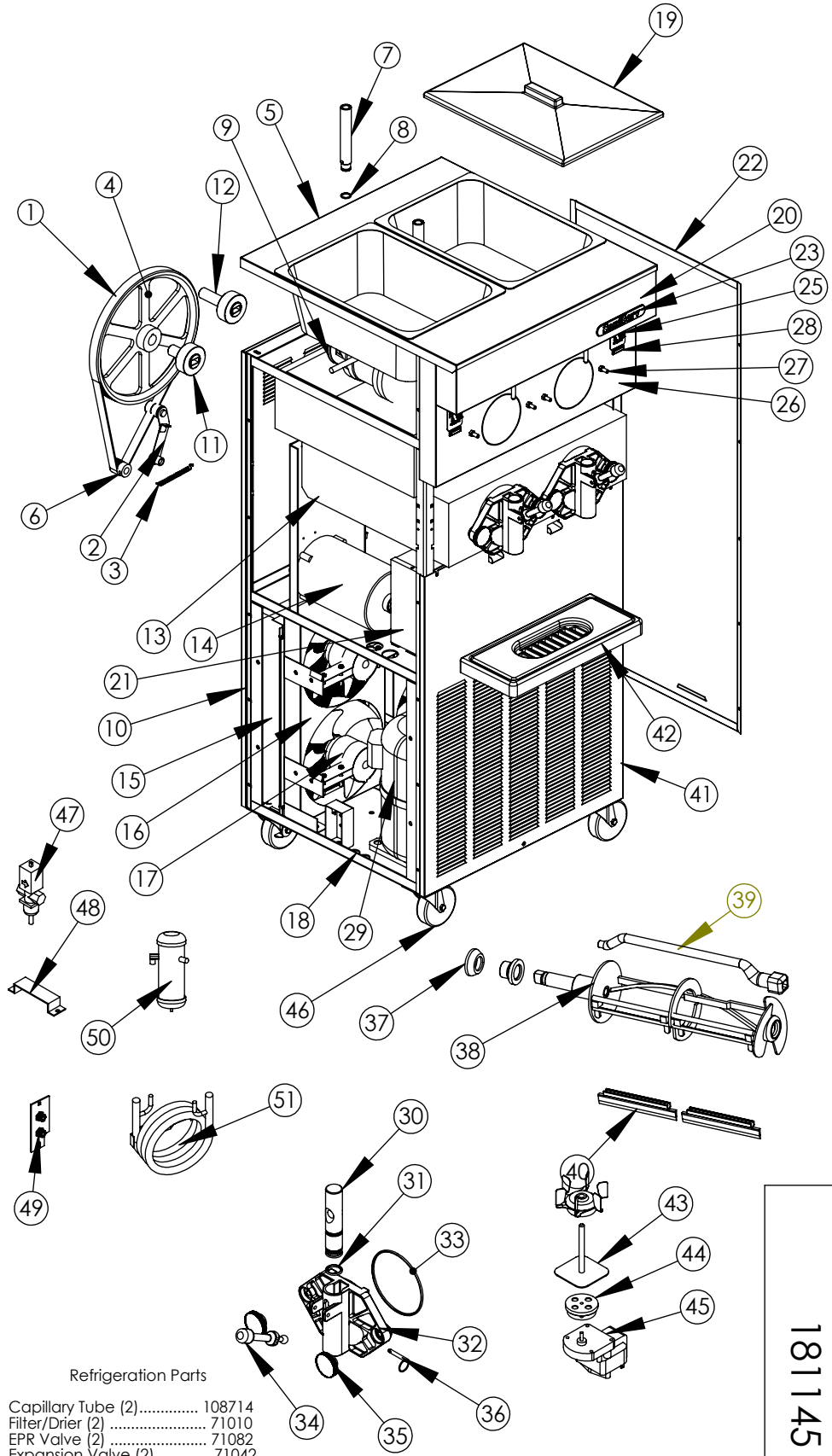


Parts List
(208-230v, 1PH & 3PH, 60 Hz)
(Model 424N)

1. Belt (2)..... 58880
2. Belt Idler (2)..... 103249
3. Idler Spring (2)..... 64504
4. Driven Pulley (2)..... 10207
5. Mix Pan and Top Cover Assembly 110529
6. Drive Pulley (2) 10208
7. Carburetor Tube (2) 110039
8. O-Ring (2) 58947
9. Drip Chute (2) 105360
10. A/C Back Panel 105651
11. W/C Back Panel 107424
12. L.H. Bearing & Shaft..... 2858
13. R.H. Bearing & Shaft..... 105792
14. L.H. Evaporator Support..... 110102
15. R.H. Evaporator Support..... 110103
16. Dasher Motor 1HP, 1PH (2)..... 75256
17. Dasher Motor 1HP, 3PH (2)..... 75641
18. A/C Condensor Assy (2) 105234
19. A/C Condensor (2) 75405
20. Condensor Support (2) 105648
21. Shroud Assembly (2) 105236
22. Fan Motor (4) 75138
23. Fan Blade (4) 75312
24. Fan Bracket (4) 7199
25. Frame 108143
26. Upper Base Insert 1PH 110106
27. Upper Base Insert 3PH 110105
28. Lower Base Insert A/C 108614
29. Lower Base insert W/C 106229
30. Mix Pan Lid (2)..... 65994
31. Upper Wiring Box Cover 110531
32. Upper Wire Box Assy (See Below)
33. Lower Wiring Box Cover (2) 105819
34. Lower Wire Box Assy (2) (See Below)
35. Side Panel (2) 105653
36. Logo 16064
37. Auto/Cleanout Switch (2) 70023
38. Switch Decal (2) 9510
39. Upper Front Panel 105649
40. Front Plate Stud (4) 7107
41. Mixout Light (2) 70423
42. Compressor 2HP, 1PH (2) 75890
43. Compressor 2HP, 3PH (2) 75742
44. Compressor Power Plug (2) 75891
45. Run Capacitor (2) 75892
46. Spigot Plunger (2) 105503
47. Spigot Plunger O-Rings (4) 58923
48. Front Plate (2) 65631
49. Front Plate O-Ring (2) 58911
50. Spigot Handle (2) 65632-01
51. Front Plate Knob (4) 64065
52. Faspin (2) 64255
53. Rear Seal (2) 108541
54. Dasher (2) 3113-01
55. Stator Rod (2) 65633
56. Scraper Blade (4) 104984
57. Lower Front Panel 105769
58. Drip Tray 108865
59. Drip Tray Insert 108866
60. Drip Tray Support 108968
61. Top Agitator (2) 110338
62. Agitator Support (2) 110335
63. Magnetic Drive (2) 108928
64. Motor (2) 75886
65. Caster (4) 188124
66. Water Valve (2) 1593
67. Water Bracket (2) 105873
68. Clamp (2) 105451
69. Water Inlet 107420
70. Receiver (2) 75115
71. W/C Condensor (2) 75045
72. Capacitor Box (2) 110524
73. Capacitor Box Cover (2) 110525



Refrigeration Parts

74. Capillary Tube (2)..... 108714
75. Filter/Drier (2) 71010
76. EPR Valve (2) 71082
77. Expansion Valve (2) 71042
78. High Pressure Switch (2) 71090

181145

SaniServ	Model 424N	BOM 42410N1, 42411N1, 42430N1, 42431N1	
	Description 208-230V, 1PH & 3PH, 60Hz	File 1811145A.SLDDRW	
Exploded View	Wiring Box 1PH 15868, 3PH 15865 & 15867	ECN 2080	Date 1/28/2015
	Wiring Dia. 1PH 81455, 3PH 81403	Sheet 1 of 1	

A