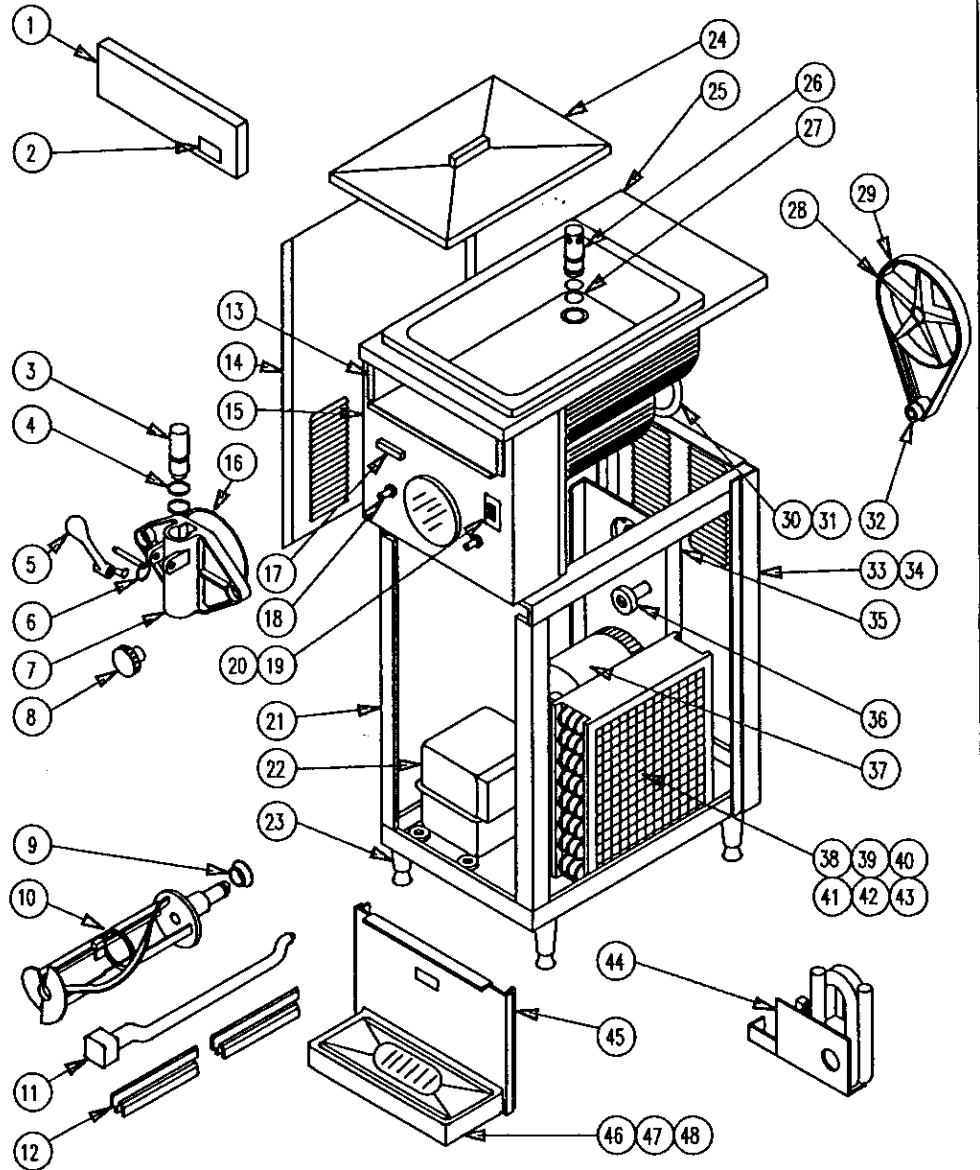


Saniserv.Net

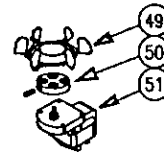
Part List (115V, 1PH, 60 HZ) Model 608J

1. Wiring Box Cover 105346-02
2. Logo 16039
3. Spigot Plunger 105503
4. Plunger O-Ring (2) 58923
5. Spigot Handle 65632-01
6. Faspin 64255
7. Front Plate 65631-01
8. Front Plate Knob (2) 64065
9. Rear Seal 108541
10. Dasher 3113-01
11. Stator Rod 65633
12. Scraper Blade (2) 104984
13. Wire Box Assy (See Below)
14. Side Panel (2) 106173
15. Upper Front Panel 105341
16. Front Plate O-Ring 58911
17. Mix Out Light 70423
18. Front Plate Stud (2) 7107
19. Switch 70023
20. Switch Decal 9510
21. Frame Assy. 105326
22. Compressor 3/4HP, 1PH. 75839
23. Leg (4) 64135
24. Mix Pan Lid 107794
25. Mix Pan and Evaporator
Top Cover Assy. 105453
26. Carb Tube 108350
27. Carb Tube O-Ring (2) 58947
28. Driven Pulley 10653
29. Bell 58856
30. Drip Chute 105360
31. Drip Chute Hanger 105369
32. Drive Pulley 10654
33. A/C Back Panel 106172
34. W/C Back Panel 106175
35. Evaporator Support 110008
36. Bearing & Shaft 2858
37. Dasher Motor 1/4HP
Motor Gasket. 102427
38. A/C Condenser 75128
39. Motor Bracket 75444
40. Fan Motor 75443
41. Fan Blade 75438
42. A/C Base Plate 106214
43. W/C Base Plate 106227
44. W/C Condenser
Water Valve. 1593
45. Lower Front Panel 106174
46. Drip Tray Support 108968
47. Drip Tray Insert 108866
48. Drip Tray 108865
49. Top Agitator 108919
50. Magnetic Drive 108928
51. Gear Motor 75817



Refrigeration Parts

- Access Valve 71021
- Cap Tube 109865
- Check Valve 71148
- Clamp 64089
- Drier 71003
- EPR Valve 71082
- Expansion Valve 71035
- High Pressure Switch 71090
- Solenoid Coil 71078
- Solenoid Valve 71072
- Accumulator 71081



ORIGINAL

181045

C

SaniServ

Model 608J

BOM 6080060

Description 115V, 1PH, 60Hz

File 181045C.DWG

Exploded View

Wiring Box 15850

ECN 1495

Date 7-20-05

Wiring Dia. 81392

Sheet 1 of 1