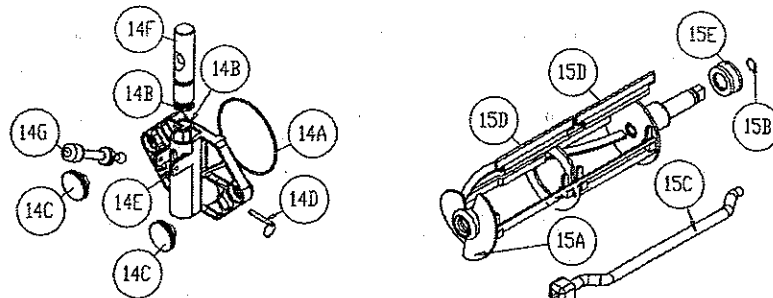
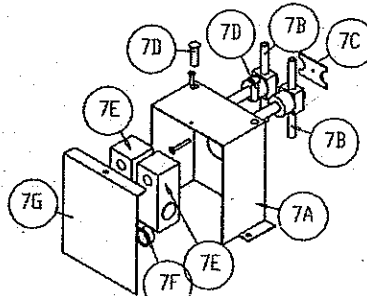
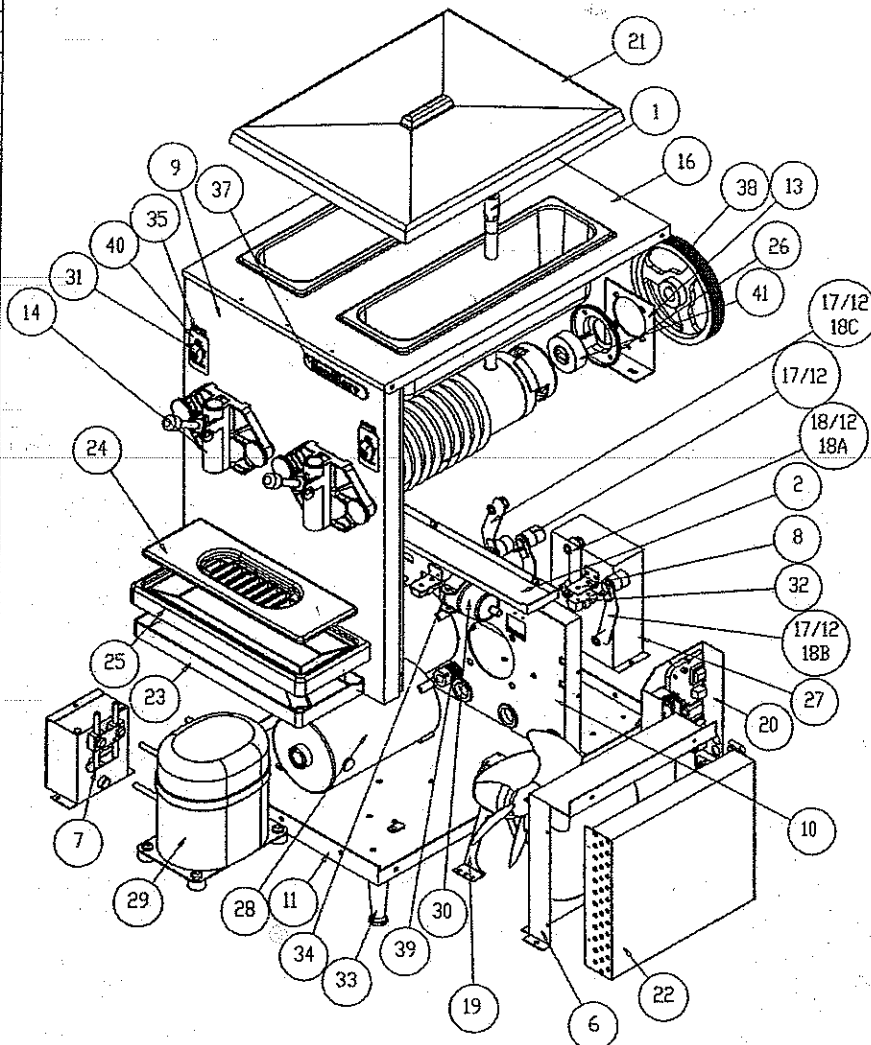


ITEM NO.	QTY.	PART NO.	DESCRIPTION
1	2	109709	TUBE, RESTRICTOR
2	1	109638	CHUTE, DRIP
3	1	109636	PANEL, SIDE LEFT
4	1	109635	PANEL, SIDE RIGHT (NOT SHOWN)
5	1	109634	PANEL, REAR
6	1	109623	SHROUD, FAN
7	1	109622	ASSEMBLY, SOLENIOD AND BRACKET
7A	1	109620	BRACKET, SOLENIOD
7B	2	71072	BODY, VALVE 1/4
7C	1	109621	SUPPORT, SOLENIOD
7D	2	61394	LIGHT, 115 VOLT GREEN
7E	2	71034	SOLENIOD, 115/60/1
7F	1	61132	BUSHING, .875 DIA HEYCO
7G	1	109637	COVER
8	2	109617	BRACKET, MICRO SWITCH
9	1	109447	PANEL, FRONT
10	1	109446	EVAPORATOR SUPPORT, LOWER
11	1	109445	PAN, BASE
12	4	109295	BEARING, IDLER TUBE
13	2	109238	SUPPORT, TOP EVAPORATOR
14	2		FACE PLATE ASSEMBLY
14A	1	58911	GRIND, 5430-6
14B	2	58923	GRIND, 2-212
14C	2	64065	KNOB, BLACK PLASTIC
14D	1	64255	FAS PIN, .250IA
14E	1	65631	PLATE, FRONT
14F	1	105503	PLUNGER, SPIGOT
14G	1	65632-01	HANDLE, SPIGOT
15	2		DASHER ASSEMBLY
15A	1	3113-01	DASHER
15B	1	58917	GRIND, 5427-13
15C	1	65633	ROD, STATOR PLASTIC
15D	2	104984	BLADE, SCRAPER
15E	1	108541	ASSEMBLY, REAR SEAL
16	1	109632	ASSEMBLY, TOP COVER AND EVAP.
17	3	103249	IDLER ARM
	4	64040-02	SPRING, TORQUE BLUE
18	1	109654	IDLER ARM
18A	1	109710	WIRE, TORQUE RIGHT
18B	1	109711	WIRE, IDLER RIGHT
18C	1	109712	WIRE, TORQUE LEFT
19	1	109044	ASSEMBLY, FAN AND BRACKET
	1	109041	FAN BLADE
	1	109042	FAN MOTOR
	1	109043	FAN BRACKET
20	1	15833	ASSEMBLY, WIRE BOX
20A	1	109838	WIRE BOX
20B	2	61073	TERMINAL BOARD
20C	2	61132	BUSHING, .875 DIA HEYCO
20D	2	70599	LIQUID LEVEL, CONTROL BOARD
20E	1	69995	CONTACTOR
21	1	109026	LID, MIX PAN
22	1	109016	CONDENSER
23	1	108968	KIT, DRIP TRAY LONG
24	1	108866	INSERT, DRIP TRAY LONG
25	1	108865	DRIP TRAY, LONG BLACK
26	2	104975	CAP, BEARING
27	1	76936	KIT, START
28	2	75819	MOTOR, 1/4 HP 115/60/1 1175 RPM
29	1	75794	COMPRESSOR, TEC 115/60/1 1/2 HP
30	1	71003	DRIER
31	2	70023	SWITCH, V/ BEZEL
32	2	70008	SWITCH, MICRO
33	1	64135	LEGS (4)
34	1	64094	CLAMP, #5
35	2	61395	LIGHT, MIXOUT
36	4	58418	GROMMET, RUBBER 1.875 DIA
37	1	16039	LIDG, SANISERV LARGE
38	2	109077	PULLEY, 8.0 DIA, 10J, 1.0 BORE
39	2	10200	PULLEY, 1.5 DIA, 10J, .625 BORE
40	2	9510	DECAL, AUTO/CLEANDUT
41	2	2858	BEARING AND SHAFT
42	1	71882	EPR VALVE
43	2	109080	THERMOSTATIC EXPANSION VALVE
44	1	71090	HIGH PRESSURE SWITCH
45	2	70533	CYCLE TIMER, 1.5 SECOND
46	2	109076	BELT, 4 GROOVE KEVLAR

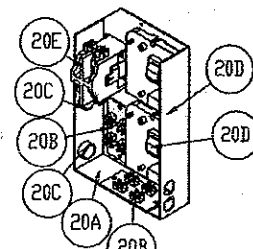


FACE PLATE ASSEMBLY
(NOT TO SCALE)

DASHER ASSEMBLY
(NOT TO SCALE)



SOLENIOD AND BRACKET ASSEMBLY
(NOT TO SCALE)



WIRE BOX ASSEMBLY
(NOT TO SCALE)

ORIGINAL
Saniserv.Net

SaniServ
Exploded View

Model 798 E
Description 115V, 1PH, 60Hz
Wiring Box 15833
Wiring Dia. 81378

BOM 7980010

File 181013E.DWG

ECN 1217

Date 11/29/01

Sheet 1 of 1

181013