

Figure 5-1 Wiring Diagram Mechanical Controls, Model ST-12

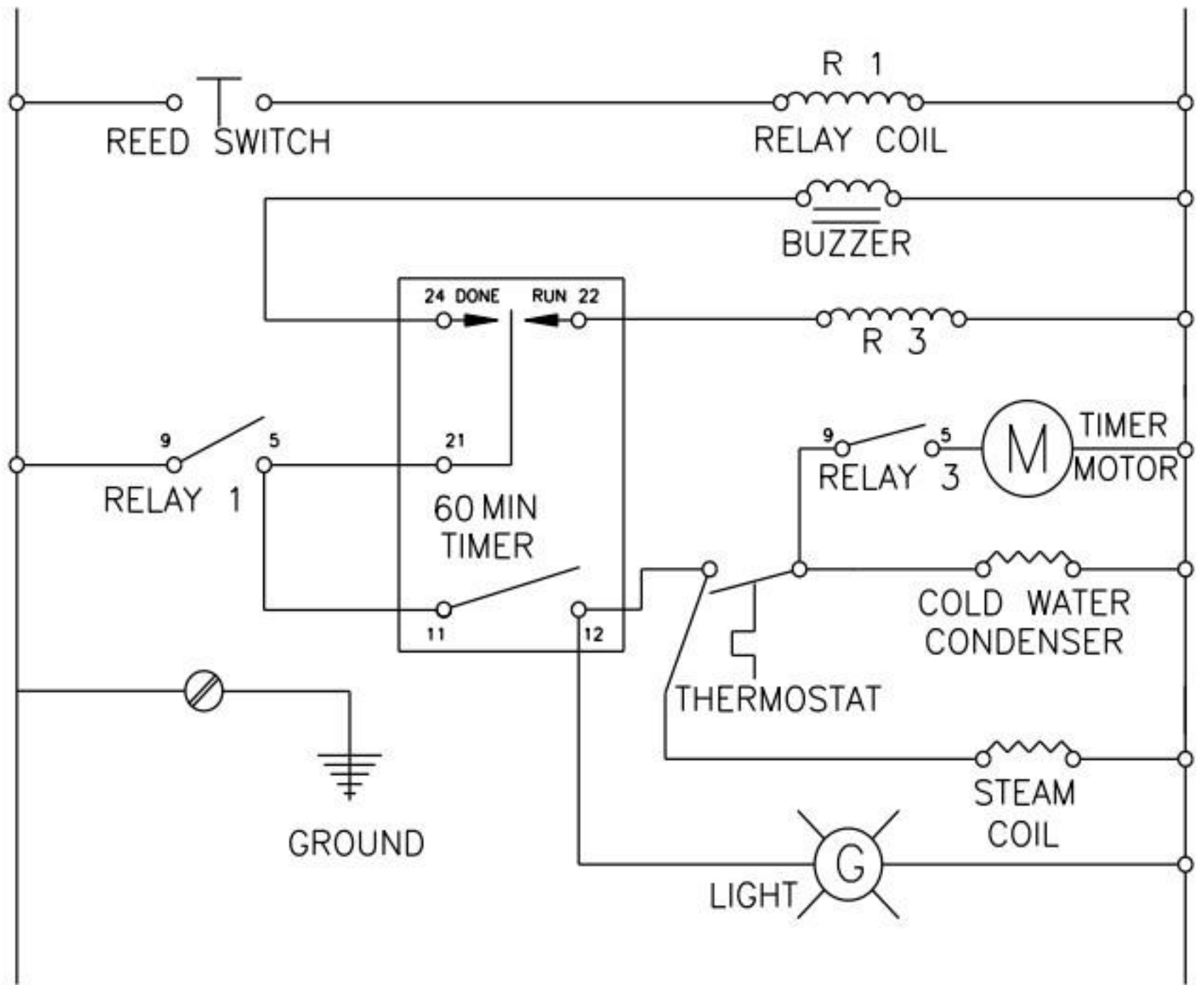


Figure 5-3 Ladder Diagram, Plus 12 (1) Compartment