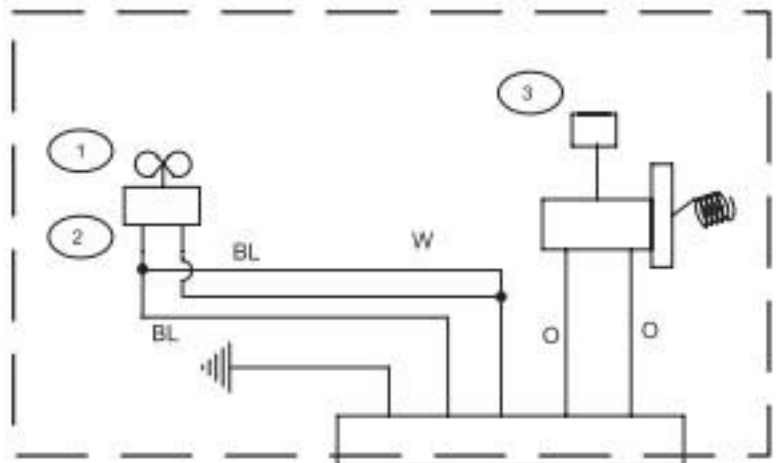
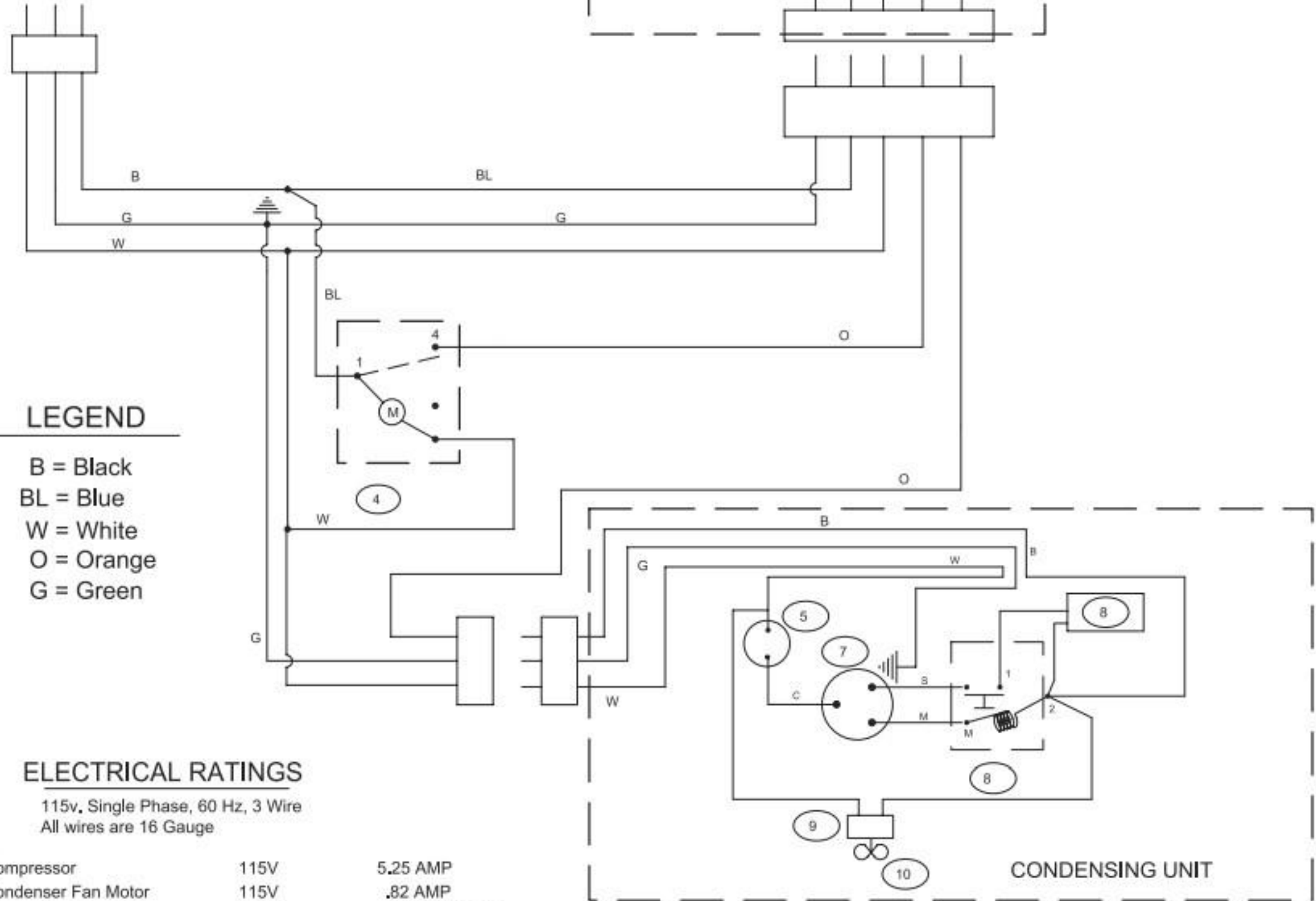


Evaporator Assembly



115 VOLT
15 AMP SERVICE
RECOMMENDED



LEGEND

- B = Black
- BL = Blue
- W = White
- O = Orange
- G = Green

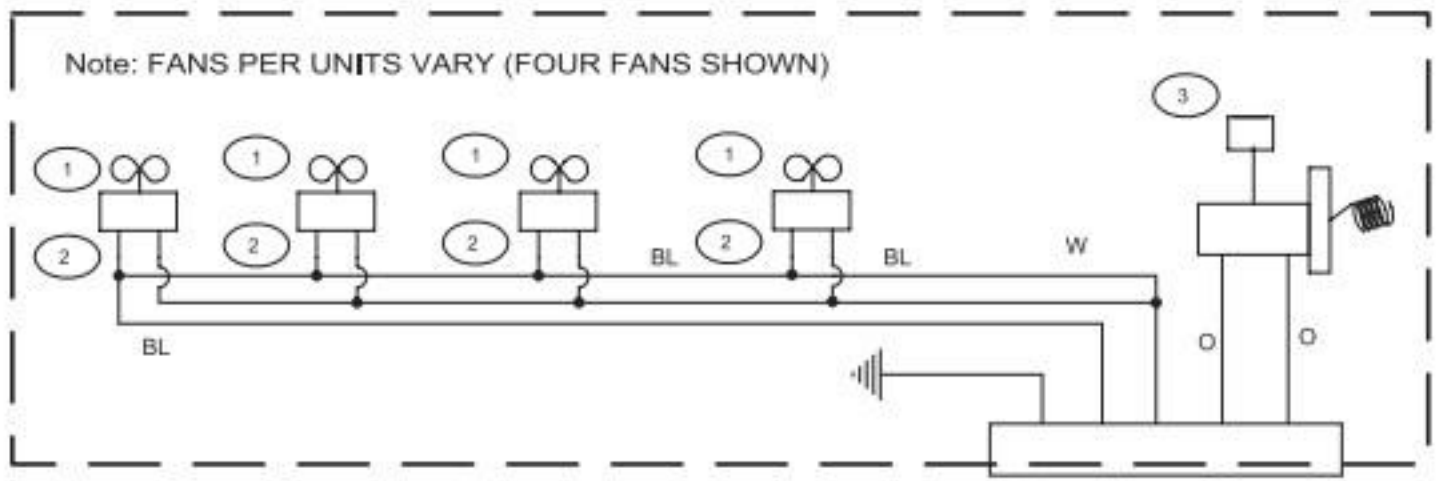
ELECTRICAL RATINGS

115v, Single Phase, 60 Hz, 3 Wire
All wires are 16 Gauge

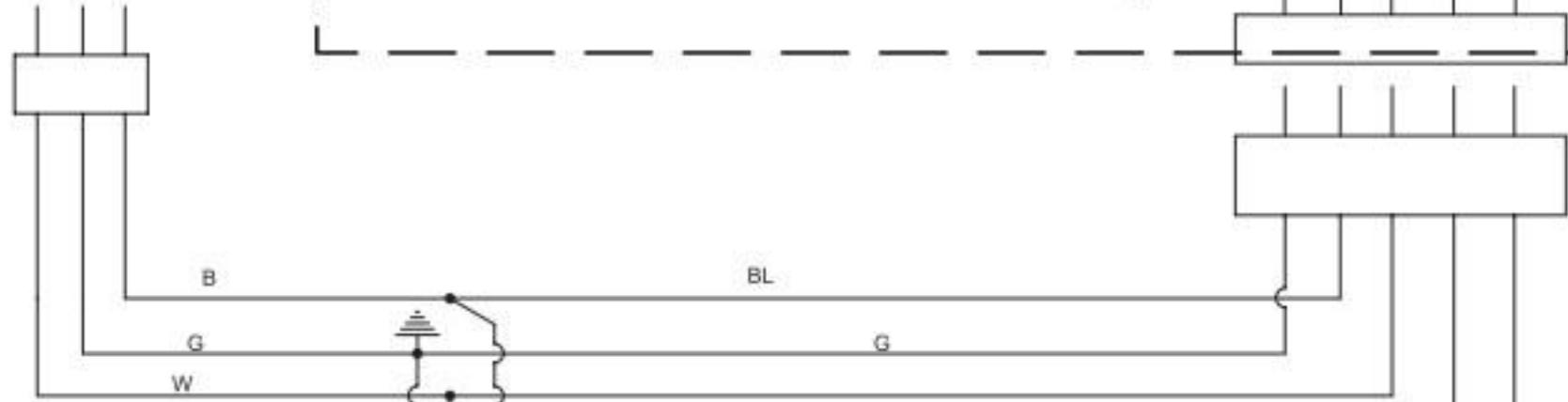
Compressor	115V	5.25 AMP
Condenser Fan Motor	115V	.82 AMP
Evaporator Fan Motor	115V	.28 AMP(Each)
Total Amps		6.35

CONDENSING UNIT

Evaporator Assembly



115 VOLT
15 AMP SERVICE
RECOMMENDED



LEGEND

- B = Black
- BL = Blue
- W = White
- O = Orange
- G = Green

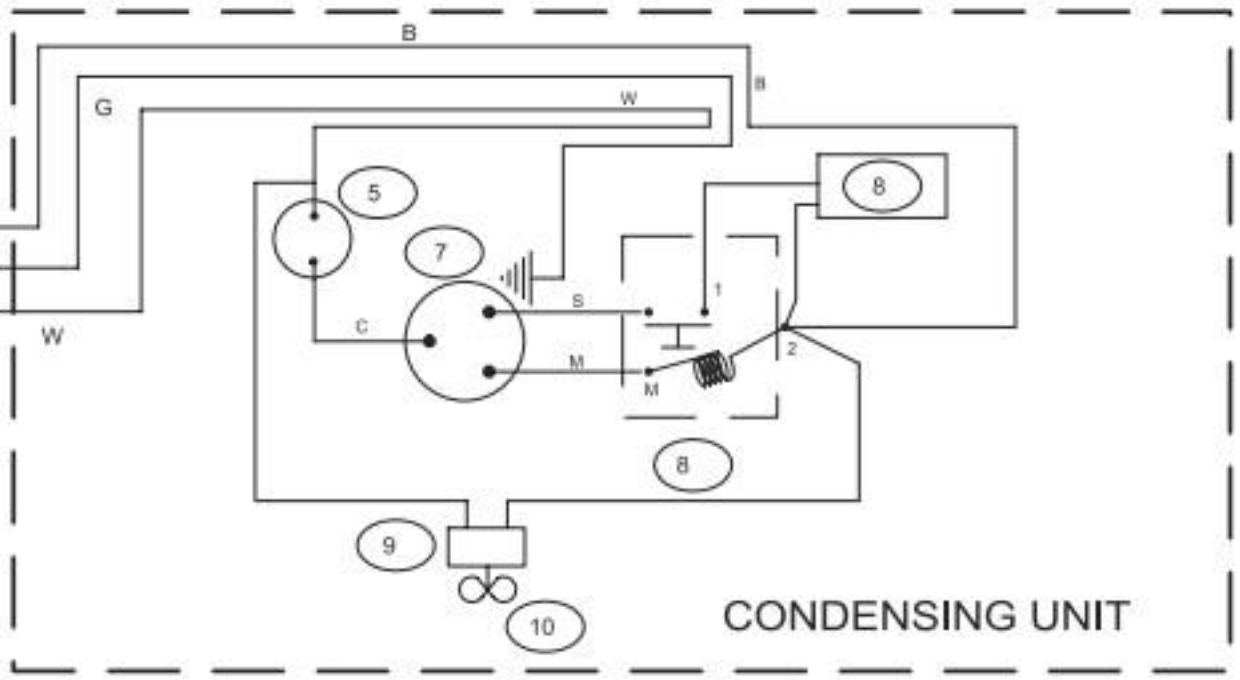
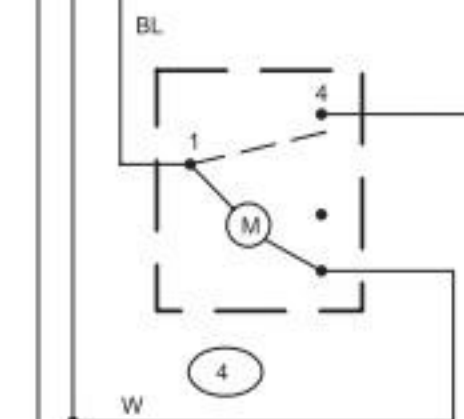
DIAGRAM APPLIES TO MODELS:
 ST48 (TWO FANS)
 ST72 (THREE FANS)
 ST96 (FOUR FANS)
 ST60 (TWO FANS)

ELECTRICAL RATINGS

115v. Single Phase, 60 Hz, 3 Wire
All wires are 16 Gauge

Compressor	115V	7.05 AMP
Condenser Fan Motor	115V	.80 AMP
Evaporator Fan Motor	115V	.28 AMP(Each)

Total Amps (Model ST96) 9.01



CONDENSING UNIT