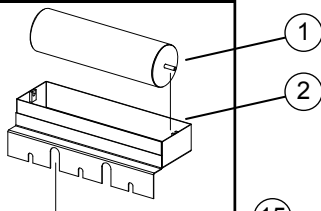
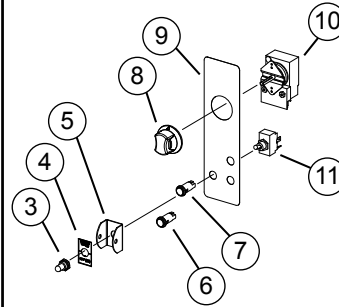


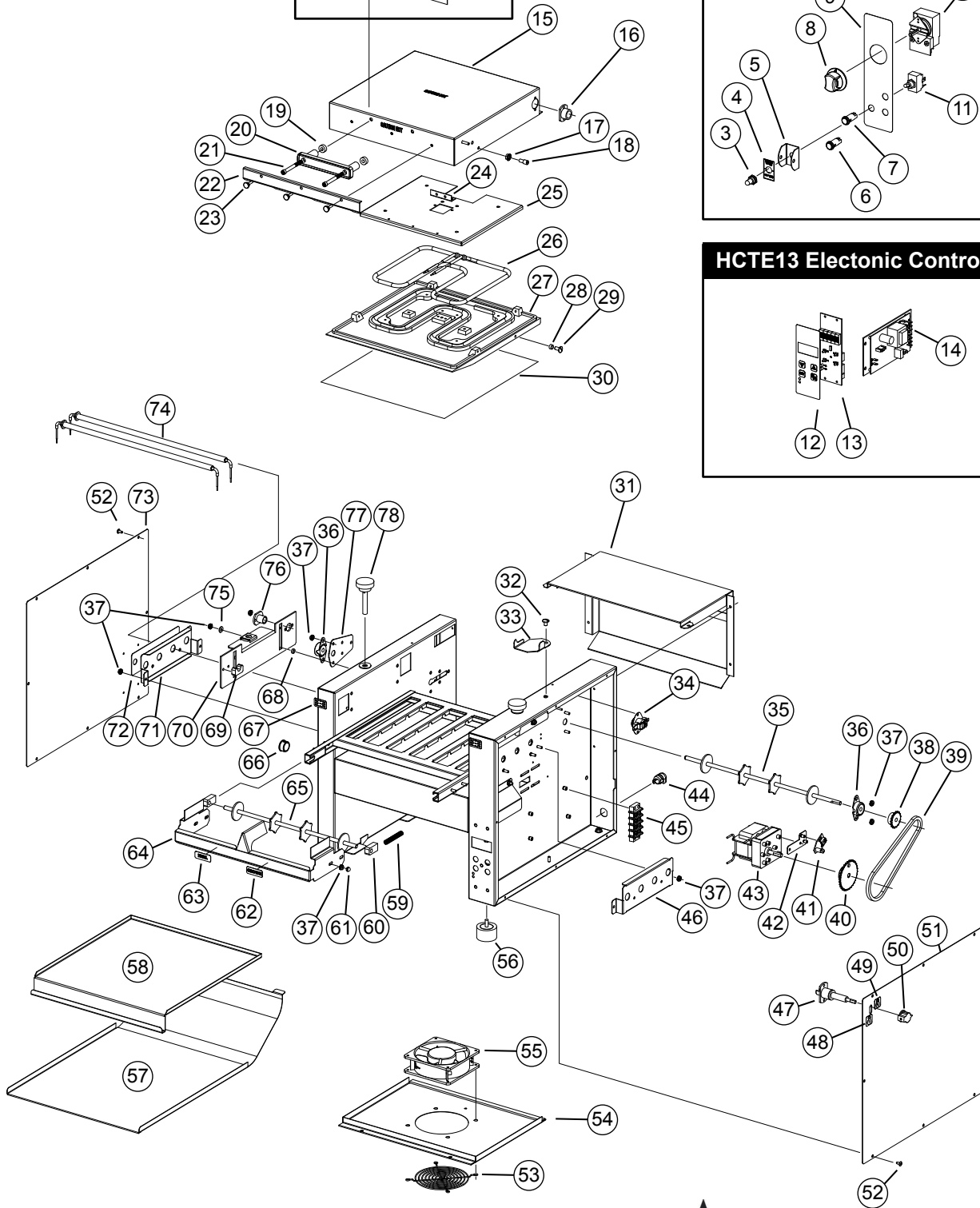
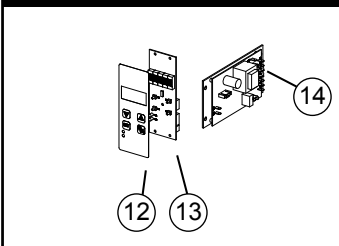
Optional Accessory



HCT13 Manual Control



HCTE13 Electronic Control



**Model: HCTE & HCT Contact Toasters
w/electronic & manual controls**



2M-Z19028; Holman Contact Toaster

PARTS LIST

October 13, 2015, Rev. E

Model: HCTE13 & HCT13 Contact Toaster				
Fig No	Part No	Quantity	Description	Application
1	HC-CT0018	Optional	Butter Wheel Weldment	
2	HC-CT0017	Optional	Butter Wheel Base Weldment	
3	2I-05-07-0013	1	BOOT SWITCH	HCT13
4	2M-Z18461	1	LABEL, POWER, ON & OFF	HCT13
5	Z1-70-07-0343	1	SWITCH GUARD	HCT13
6	2J-31157	1	LIGHT SIGNAL RED, MAIN POWER	HCT13
7	2J-31157	1	LIGHT SIGNAL RED, ELEMENT PWR	HCT13
8	2R-Z18145	1	KNOB, SG 1.75 X .25 SHAFT	HCT13
9	2M-Z19266	1	LABEL, HCT	HCT13
10	2T-Z18396	1	THERMOSTAT, 150-550°F	HCT13
11	2E-30330	1	SWITCH ON OFF TOGGLE 20A	HCT13
12	2M-Z18207	1	LABEL, HCTE	HCTE13
13	2J-Z17717	1	ELECTRONIC CONTROL SPEC	HCTE13
14	2U-200592	1	QCSE PWRBRD, W/RIBBONCABLE	HCTE13
15	HC-CT0005	1	PLATEN COVER ASY	
16	2K-Z17714	2	BUSHING, OUTER	
17	2C-6517	6	NUT 1/4-20 HEX STL NP	
18	2A-Z17716	2	SUPPORT, 1/4-20 X 11/32	
19	2A-Z17727	2	SPACER, 5/8"OD X 0.266"ID	
20	2R-Y2830	1	HANDLE HARRY DAVIES 4560	
21	2C-Z18503	2	SCREW, SOCKET CAP 1/4-20	
22	HC-Z17713	1	RETAINER, PTFE SHEET	
23	2A-Z17712	3	THUMBSCREW 8-32 X .375	
24	HC-Z17724	1	THERMOPROBE BRKT	HCTE13
25	HC-Z17711	1	ELEMENT COVER	
26	2N-Z17710	1	ELEMENT, METAL 2300W 240V	240V, 230V
	2N-Z17749		ELEMENT, METAL 2300W 208V	208V
27	2F-Z17708	1	13" TOP CASTING	
28	2A-Z18504	1	SPACER, 3/8IN X 1/4IN	
29	2C-Y7595	1	BOLT 1/4-20X1/2 THS STL	
30	2H-Z18588	1	PTFE SHEET, 0.003 TK	
31	HC-CT0006	1	BACK PANEL ASY	
32	2C-Z10075	1	SCREW-1/4-20X3/8 SS THS	
33	HC-Z17737	1	PLATEN SUPPORT BRKT	
34	2E-200566	1	SWTCH,RSET,0796-190F TRPS	
35	2A-CT0015	1	BELT DRIVE SHAFT ASSEMBLY	HCTE13M
	2A-CT0015SB			HCTE13S
36	HA-112261	2	BEARING ASSY PTFE/BRONZE	
37	2C-Z6929	34	NUT, 10-24 KEPS SS	
38	2P-200646	1	SPROCKET, 25B20 X 5/16	

2M-Z19028; Holman Contact Toaster

PARTS LIST

October 13, 2015, Rev. E

Model: HCTE13 & HCT13 Contact Toaster				
Fig No	Part No	Quantity	Description	Application
39	2P-150013	1	DRIVE CHAIN #25 ROLLER	
40	2P-200648	1	SPROCKET, 25B32 X 5/16	
41	2E-Z17514	1	SENSOR, SPEED	HCTE13
42	HC-CT0008	1	SPEED CONTROL BRKT ASY	HCTE13
43	2U-Z9657	1	MOTOR, 11RPM-CW, NEW STYLE	
44	2K-Y3240	1	BUSHING HEYCO SR 17-2	
45	2E-Z10406	1	TERMINAL BLOCK 4 POS	HCTE13M
	2E-Z14254		TERMINAL BLOCK 6-POLE	HCT13
46	HC-CT0013	1	RIGHT ADJUSTMENT BRKT ASY	
47	HC-CT0014	1	PLATEN LATCH ASY	
48	2M-Z18513	1	LABEL, UNLOCK SYMBOL	
49	2M-Z18512	1	LABEL, LOCK SYMBOL	
50	2R-Z17729	1	KNOB, 1-1/4 X 5/8 X 1/2	
51	HC-Z17742	1	PANEL, RIGHT COVER	
52	2C-6349	24	SCREW #8X3/8 B THP STL NP	
53	2R-200562	1	FAN GUARD	
54	HC-Z17740	1	MOTOR HOUSING COVER	
55	2U-200561	1	MOTOR, FAN 240V 23BTM	
56	2R-Z18201	4	FOOT 1.69X1 SIL 1/4 20	
57	HC-Z17723	1	TOAST SLIDE	
58	HC-Z17736	1	CRUMB TRAY	
59	2P-Z18587	2	BEARING SPRING 2IN	
60	2P-200700	2	BRG SPRING LOADED	
61	2C-2559	4	NUT 10-24 ACHD BR NP	
62	2M-Z17750	1	LABEL, CROWN	
63	2M-Z17735	1	LABEL, HEEL	
64	HC-CT0009	1	BELT GUARD ASM	
65	2A-CT0016	1	BELT IDLER SHAFT ASSEMBLY	HCTE13M
	2A-CT0016SB			HCTE13S
66	2K-200464	2	BUSHING, WIRE RING 7/8"	
67	2M-Z18258	2	LABEL, SCALE	
68	2A-Z17720	8	SPACER-.375"OD X .192"ID	
69	2V-Z17744	1	PLATEN SUPPORT	
70	HC-CT0012	1	LEFT ADJUSTMENT BRKT ASY	
71	HC-CT0007	2	ELEMENT SUPPORT ASY	
72	HC-Z17731	1	ELEMENT RETAINER	
73	HC-Z17741	1	PANEL, LEFT COVER	

2M-Z19028; Holman Contact Toaster

PARTS LIST

October 13, 2015, Rev. E

Model: HCTE13 & HCT13 Contact Toaster				
Fig No	Part No	Quantity	Description	Application
74	2N-Z17718	1	ELEMENT, METAL 350W 240V	HCTE13S
	2N-Z17718	2	ELEMENT, METAL 350W 240V	HCTE13M
75	2C-1810	16	WASHER 3/16 BURR STL NP	
76	2K-Z17715	2	BUSHING, INNER	
77	HC-Z16924	1	SHAFT ACCESS COVER PLATE	
78	2A-CT0011	2	ADJUSTMENT KNOB ASY	
NI	2E-Z17719	1	TYPE K PROBE	HCTE13
NI	2B-Z17743	1	CONVEYOR BELT CG10 X.062	
NI	PS-CT0034	1	SILICONE BELT, 13" X 41.04	
NI	HA-120244	1	CORDSET ASSY QCS1-230C	230V
NI	HA-120245	1	CORDSET ASSY NEMA 6-20P	208,240V