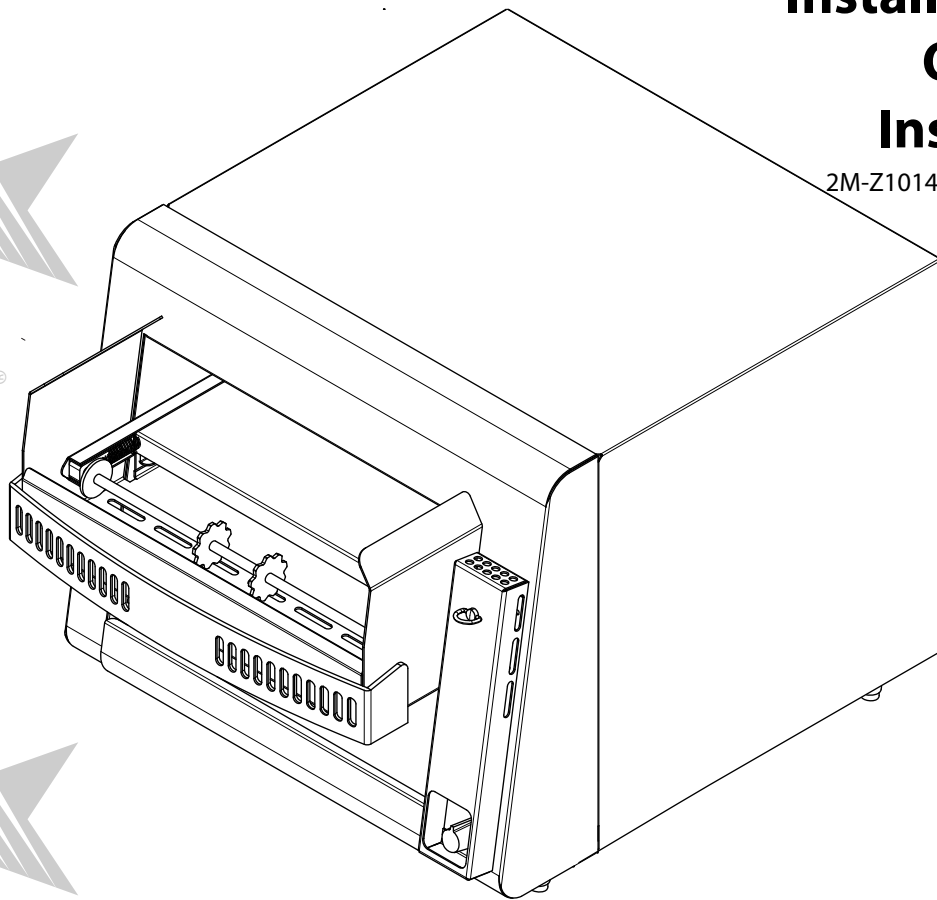


Holman[®] **CONVEYOR TOASTER**

MODEL
Q3-95ARB

Installation and Operation Instructions

2M-Z10141 Rev. G 10/13/2014



9H-Q3-95ARB



SAFETY SYMBOL



These symbols are intended to alert the user to the presence of important operating and maintenance instructions in the manual accompanying the appliance.

RETAIN THIS MANUAL FOR FUTURE REFERENCE NOTICE

Using any part other than genuine Star factory supplied parts relieves the manufacturer of all liability.

Star reserves the right to change specifications and product design without notice. Such revisions do not entitle the buyer to corresponding changes, improvements, additions or replacements for previously purchased equipment.

Due to periodic changes in designs, methods, procedures, policies and regulations, the specifications contained in this sheet are subject to change without notice. While Star International Holdings Inc., Company exercises good faith efforts to provide information that is accurate, we are not responsible for errors or omissions in information provided or conclusions reached as a result of using the specifications. By using the information provided, the user assumes all risks in connection with such use.

MAINTENANCE AND REPAIRS

Contact your local authorized service agent for service or required maintenance.

Please record the model number, serial number, voltage and purchase date in the area below and have it ready when you call to ensure a faster service.

Model No. _____
Serial No. _____
Voltage _____
Purchase Date _____

Authorized Service Agent Listing

Reference the listing provided with the unit

or

for an updated listing go to:

Website: www.star-mfg.com
E-mail Service@star-mfg.com

Service Help Desk

Business Hours: 8:00 am to 4:30 p.m. Central Standard Time

Telephone: (314) 678-6303

Fax: (314) 781-2714

E-mail Parts@star-mfg.com
Service@star-mfg.com
Warranty@star-mfg.com

Website: www.star-mfg.com

Mailing Address: Star International Holdings Inc., Company
10 Sunnen Drive
St. Louis, MO 63143
U.S.A

SPECIFICATIONS

Q3-95ARB-V02

Rating/Connection: 4200 Watts (700W elements), 20.5 Amps at 208V
NEMA 6-30P plus with six foot oil-resistant cord

Electrical Supply: 208VAC, single phase

Approximate Weight: Installed - 60 Lbs (27.22 kg)
Shipping - 68 Lbs (30.84 kg)

Dimensions: Width: 18.5" (47.0 cm)
Depth: 22.4 (56.8 cm)
Height: 15.7" (39.7 cm)

Q3-95ARB-V04

Rating/Connection: 4200 Watts (700W elements), 17.5 Amps at 240V
NEMA 6-30P plus with six foot oil-resistant cord

Electrical Supply: 240VAC, single phase

Approximate Weight: Installed - 60 Lbs (27.22 kg)
Shipping - 68 Lbs (30.84 kg)

Dimensions: Width: 18.5" (47.0 cm)
Depth: 22.4 (56.8 cm)
Height: 15.7" (39.7 cm)

The below models were released in May 2008, nearly identical to the previous units listed above. All changes are internal and both units operate and work the same.

Q3-95ARB-208V

Rating/Connection: 4200 Watts (700W elements), 20.5 Amps at 208V
NEMA 6-30P plus with six foot oil-resistant cord

Electrical Supply: 208VAC, single phase

Approximate Weight: Installed - 60 Lbs (27.22 kg)
Shipping - 68 Lbs (30.84 kg)

Dimensions: Width: 18.5" (47.0 cm)
Depth: 22.4 (56.8 cm)
Height: 15.7" (39.7 cm)

Q3-95ARB-240V

Rating/Connection: 4200 Watts (700W elements), 17.5 Amps at 240V
NEMA 6-30P plus with six foot oil-resistant cord

Electrical Supply: 240VAC, single phase

Approximate Weight: Installed - 60 Lbs (27.22 kg)
Shipping - 68 Lbs (30.84 kg)

Dimensions: Width: 18.5" (47.0 cm)
Depth: 22.4 (56.8 cm)
Height: 15.7" (39.7 cm)



General Information

This equipment is designed and sold for commercial use only by personnel trained and experienced in its operation and is not sold for consumer use in and around the home nor for use directly by the general public in food service locations.

Before using your new equipment, read and understand all the instructions & labels associated with the unit prior to putting it into operation. Make sure all people associated with its use understand the units operation & safety before they use the unit.

INSPECTION

UN-CRATING AND INSPECTING

Unpack the unit and components from the shipping container. Remove all visible packing material and those from inside the cooking chamber. If damage is discovered, file a claim immediately with the carrier that handled the shipment. Do not operate the unit if it was damaged during shipping. All shipping containers should be checked for freight damage both visible and concealed. This unit has been tested and carefully packaged to insure delivery of your unit in perfect condition. If equipment is received in damaged condition, either apparent or concealed, a claim must be made with the delivering carrier.

Concealed damage or loss - if damage or loss is not apparent until after equipment is unpacked, a request for inspection of concealed damage must be made with carrier within 15 days. Be certain to retain all contents plus external and internal packaging materials for inspection. The carrier will make an inspection and will supply necessary claim forms.

ELECTRICAL CONNECTION

Disconnect the unit from the power source before installing or removing any parts.

Be absolutely sure that the ground connection for the receptacle is properly wired. Do not connect equipment to power without proper ground connections. Improper grounding may result in personal injury or death.



CAUTION

Allow enough space around the toaster for adequate ventilation. Do not operate the unit without the crumb tray properly positioned. Overheating and poor toasting may occur. Read all labels on the unit and follow their instructions.



WARNING

Before making any electrical connection to this unit, check that the power supply is adequate for the voltage, amperage and requirements stated on the rating plate. A wiring diagram is included.



WARNING

DO NOT CUT OR REMOVE THIS PLUG OR THE GROUNDING PRONG FROM THE PLUG. FAILURE TO COMPLY MAY RESULT IN DEATH OR SERIOUS INJURY.



WARNING

CONNECT/PLUG UNIT INTO DEDICATED A. C. LINE ONLY SPECIFIED ON THE DATA PLATE OF THE UNIT.



CAUTION

SOME SURFACES ARE EXTREMELY HOT DURING OPERATION AND CARE SHOULD BE TAKEN WHILE USING THIS UNIT.

ASSEMBLY AND INSTALLATION

The unit was shipped fully assembled and ready to plug into a standard outlet specified for its voltage and amp draw. If improper electrical supply is determined, contact a qualified electrician prior to using the unit. Removal and replacement of the power cord and plug voids the warranty. For assistance, contact your local authorized service agent for service or required maintenance.

Level unit using the adjustable feet under the unit (approximately 1/2" adjustment).

Wipe down the exterior with a damp cloth.

NOTE

The security cover prevents accidental movement of the speed control knob during routine operations.

TOASTER SETTINGS

Before using the unit for the first time, test the pass time of the conveyor belt.

The pass time through the toaster should be between 30 and 40 seconds.

1. Turn the conveyor speed knob to the 12 o'clock position.
2. Set both heat controls to HIGH and allow to 5 to 10 minutes to reach operating temperature.
3. Place a bun on the conveyor belt.
4. Start timer, when the bun begins enters the cooking chamber
5. Stop timer when bun exits the toaster.

IF TO DARK: Increase conveyor speed knob.

IF TO LIGHT: Decrease conveyor speed knob.

6. When the bun meets all specifications, mark the control panel face with a marking tool where the control knob was set.
7. Place the security device over the control knobs and secure.
8. If the bun takes longer than 40 seconds, then contact Arby's Corporation to be certain you understand the specifications. If the unit still does not toast the bun in 40 seconds, or less then contact Star Manufacturing.

DAILY OPERATION

Rotary Power Saver Switch

Turn Power Saver Switch clockwise or counterclockwise for the following settings.

Full Power

When in this position your equipment is at full power and ready to use.

Off Rotary

Two off positions are provided, a single rotation in either direction will shut the unit off.

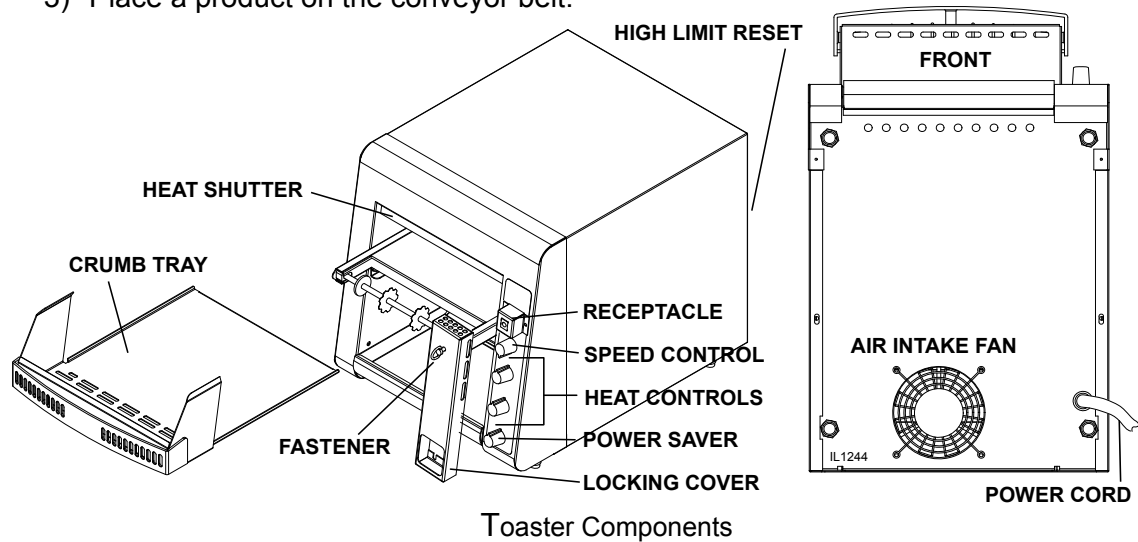
Standby

The standby position reduces the power consumption by 75%. Using this position during the quiet times will save electricity, and keep the toaster warm. When needed, turn the switch to FULL POWER. Recovery time is about 30 seconds.

Toasting Procedures

This toaster is equipped with a swinging heat shutter at the toaster entrance. This shutter will move out of the way as the product passes under it.

- 1) Turn the power saver to FULL POWER.
- 2) Allow warm up time of 5 to 10 minutes.
- 3) Place a product on the conveyor belt.



OPERATING HINTS AND SAFETY

Disconnect power to the unit with the switch at the end of each day of operation.

Do not leave the unit in operation without an attendant.

Turn Power Saver Switch to Standby during idle periods. It will take only a few minutes to regain operating temperature.

Do not leave the unit at high temperature when not in use or during idle periods. This will cause food particles and grease film to carbonize.

CLEANING

Preventive maintenance for your Holman toaster consists of the following recommended cleaning procedures. To keep your toaster in top operating condition, these steps should be performed daily or weekly as indicated.

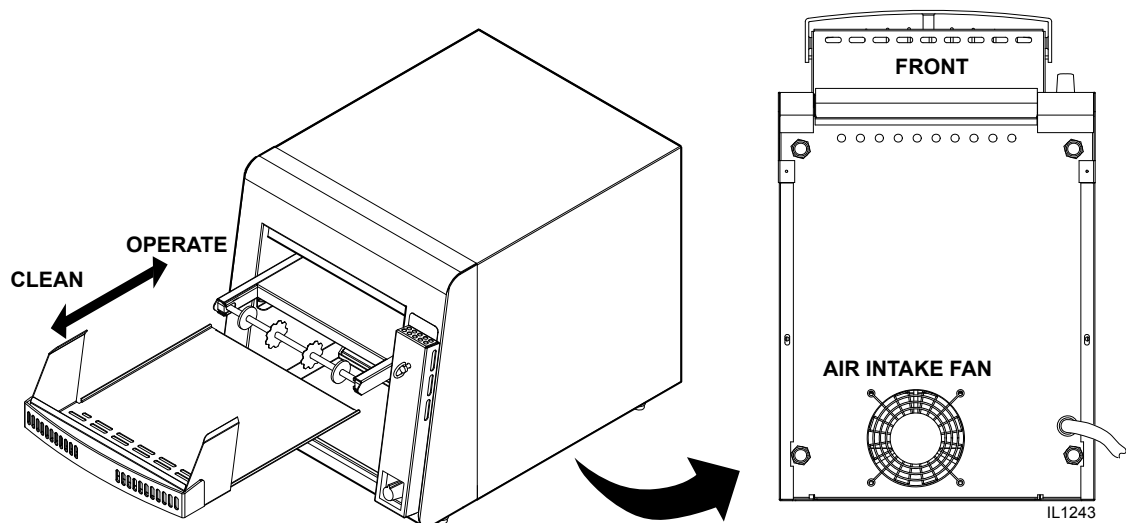
1. Wipe exterior surface of unit, using mild detergent and water.
2. For lightly soiled conveyor belts, turn conveyor speed control to highest setting and wipe with a damp cloth.
3. For heavily soiled conveyors, turn conveyor speed control to highest setting and wipe with a light abrasive pad (as needed).
4. Turn main power saver switch to the OFF position.
5. Disconnect unit from power source.
6. After the unit cools, remove interior crumb tray (as shown below) and clean. Slide crumb tray back into position. Never operate unit without Crumb Tray properly installed.
7. Clean air intake on bottom of unit on a weekly basis.



WARNING

DO NOT IMMERSE OR LET THE UNIT STAND IN WATER. DO NOT HOSE DOWN THE UNIT OR THE TABLE/COUNTER IF THE UNIT IS ON THE TABLE/COUNTER.

KEEP AWAY FROM RUNNING WATER.



Crumb Tray & Air Intake Cleaning

Troubleshooting Guide

A. Unit Will Not Heat, Conveyor Belt Will Not Move.

- 1) Be sure the main circuit breaker is switched to the ON position.
- 2) Check to see if the toaster is plugged in and all controls are turned to the ON position.

B. Unit Has Heat Only On One Side, Conveyor Belt Turns Freely.

- 1) Call the Star Service Help Desk at 1-800-807-9054, as heating element may need replacing.

C. Conveyor Will Not Turn, Unit Heats Properly.

To check for mechanical binding:

- 1) **DISCONNECT UNIT FROM POWER SOURCE.**
- 2) Remove 2 screws holding enclosure to the bottom of the unit.
- 3) Set unit on the legs and remove 4 screws on the back of the toaster.
- 4) Slide the enclosure off the unit and remove the back panel.
- 5) Loosen the four screws that hold the drive motor in place.
- 6) Slide the motor up allowing the drive chain to be removed from the sprockets.
- 7) Move the conveyor belt by hand to check for mechanical binding. If conveyor moves freely, call the Star Service Help Desk at 1-800-807-9054, as the drive motor and/or speed control may need replacing.
- 8) Replace the enclosure by sliding it forward towards the front of the unit.
The front edge of the enclosure will slide beneath the toaster front.

D. Heat Limit Switch (Reset)

Your Holman conveyor toaster is equipped with an automatically activated heat limit switch that interrupts the heater tube connections if the ambient temperature in the control box exceeds 190°F (88°C). This switch can be reset manually by pushing the red button located on the back of the unit as shown in the Toaster Components Illustration on Page 6.

- 1) **DISCONNECT UNIT FROM POWER SOURCE.**
- 2) Check to see if air intake area in the bottom center of the control box cover is free of dust, grease or other obstructions.
- 3) Check if crumb tray is in place. **OPERATING THE UNIT WITHOUT THE CRUMB TRAY IN PLACE WILL CAUSE OVERHEATING IN THE CONTROL BOX.**
- 4) If no obstructions to the airflow can be found and if the crumb tray is in place, call the Star Service Help Desk at 1-800-807-9054 for assistance.

E. Conveyor Turns At One Speed Regardless Of Speed Control Setting.

- 1) Call the Star Service Help Desk at 1-800-807-9054, as speed control should be replaced.

F. Product Sticking To Conveyor Or Slide

Your Holman conveyor toaster is designed to toast product that is current room temperature.

DO NOT attempt to put frozen, refrigerated, or any butter or a butter substitute material in the toaster. Doing so may cause it to come out doughy or very moist, as well as possibly sticking to parts of the unit.

Follow the cleaning procedures listed on page 7.

Maintenance Procedures

A. Replacing the Heater Tubes

- 1) **DISCONNECT UNIT FROM POWER SOURCE.**
- 2) Remove the enclosure.
- 3) Remove heater tube wire from terminal block connection, keeping top and bottom wires separate.
- 4) Lift heater tube retainers by loosening retaining screws and sliding the retainer plate up. Hand tighten the plate to hold it up so the heater tubes will slide out freely.
- 5) Gently, pull defective heater tube out of unit.
- 6) Gently, put new heater tube into unit.
- 7) Loosen retainer screws and slide the retainer back into place. Tighten the screw to secure the retainer in place over the ends of the heater tubes.

B. Replacing the Fan Motor

- 1) **DISCONNECT UNIT FROM POWER SOURCE.**
- 2) Remove screws from the enclosure and the back panel at rear of unit.
- 3) Remove the enclosure and the back panel.
- 4) Unplug power supply cord from fan motor.
- 5) Remove (4) screws, which hold fan motor and grill to bottom of unit and remove fan.
- 6) Put replacement motor and grill in place and secure to the bottom of unit with screws.
- 7) Reconnect power supply cord to fan motor.
- 8) Replace back panel and enclosure. Fasten with screws removed in step 2.

C. Replacing the Belt Drive Motor

- 1) **DISCONNECT UNIT FROM POWER SOURCE.**
- 2) Remove enclosure and back panel.
- 3) Remove sprocket from motor shaft, using an allen wrench and loosening the set-screw.
- 4) Remove the wire from terminal block connecting the drive motor to internal wiring.
On units rated 208 or 240 volts, note which color leads are being used for these connections and which lead is capped with white tape. The new motor should use the same arrangement.
- 5) Remove screws holding motor in place and remove motor from unit.
- 6) Put new motor in place and attach loosely with mounting screws.
- 7) Replace sprocket on motor shaft.

NOTE The two sprockets should line up parallel with each other, so the chain does not twist any during operation. Also the hub gets installed closest to the motor.

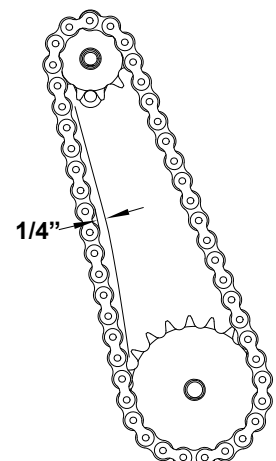
- 8) Slide motor until the drive chain has about 1/4" slack when lightly pushed at the center of its top open run. See *chain tensioning illustration*.
- 9) Tighten screws to secure motor.
- 10) Rewire leads same as removed in step 4.
- 11) Replace side panel and control box cover.

D. Clean the Air Intake (Once A Week)

- 1) **DISCONNECT UNIT FROM POWER SOURCE.**
- 2) Place unit on its backside.
- 3) Use a vacuum cleaner and or a damp cloth to clean the air intake.

E. Lubricate the Chain & Sprockets (Every 6 Months)

- 1) **DISCONNECT UNIT FROM POWER SOURCE.**
- 2) Remove enclosure exposing chain drive.
- 3) While wearing rubber gloves and using an extreme pressure, synthetic chain lubricant with a temperature range up to 400°F (204°C) lubricate chain and sprockets. Apply liberally. This grease is available as part no. **1P-Z8914**.
- 4) Replace enclosure, Reconnect power source and test unit.



Chain Tension

THOROUGHLY INSPECT YOUR UNIT ON ARRIVAL

This unit has been tested for proper operation before leaving our plant to insure delivery of your unit in perfect condition. However, there are instances in which the unit may be damaged in transit. In the event you discover any type of damage to your product upon receipt, you must immediately contact the transportation company who delivered the item to you and initiate your claim with same. If this procedure is not followed, it may affect the warranty status of the unit.

LIMITED EQUIPMENT WARRANTY

All workmanship and material in Star products have a one (1) year limited warranty on parts & labor in the United States and Canada. Such warranty is limited to the original purchaser only and shall be effective from the date the equipment is placed in service. Star's obligation under this warranty is limited to the repair of defects without charge, by the factory authorized service agency or one of its sub-agencies. Models that are considered portable (*see below*) should be taken to the closest Star service agency, transportation prepaid.

- > Star will not assume any responsibility for loss of revenue.
- > On all shipments outside the United States and Canada, see International Warranty.
- * The warranty period for the JetStar six (6) ounce & Super JetStar eight (8) ounce series popcorn machines is two (2) years.
- * The warranty period for the Chrome-Max Griddles is five (5) years on the griddle surface. See detailed warranty provided with unit.
- * The warranty period for Teflon/Dura-Tec coatings is one year under normal use and reasonable care. This warranty does not apply if damage occurs to Teflon/Dura-Tec coatings from improper cleaning, maintenance, use of metallic utensils, or abrasive cleaners, abrasive pads, product identifiers and point-of-sale attachments, or any other non-food object that comes in continuous contact with the roller coating. This warranty does not apply to the "non-stick" properties of such materials.
- > This warranty does not apply to "Special Products" but to regular catalog items only. Star's warranty on "Special Products" is six (6) months on parts and ninety (90) days on labor.
- > This warranty does not apply to any item that is disassembled or tampered with for any purpose other than repair by a Star Authorized Service Center or the Service Center's sub-agency.
- > This warranty does not apply if damage occurs from improper installation, misuse, wrong voltage, wrong gas or operated contrary to the Installation and Operating instructions.
- > This warranty is not valid on Conveyor Ovens *unless* a "start-up/check-out" has been performed by a Factory Authorized Technician.

PARTS WARRANTY

Parts that are sold to repair out of warranty equipment are warranted for ninety (90) days. The part only is warranted. Labor to replace the part is chargeable to the customer.

SERVICES NOT COVERED BY WARRANTY

1. Travel time and mileage rendered beyond the 50 mile radius limit
2. Mileage and travel time on portable equipment (*see below*)
3. Labor to replace such items that can be replaced easily during a daily cleaning routine, ie; removable kettles on fryers, knobs, grease drawers on griddles, etc.
4. Installation of equipment
5. Damages due to improper installation
6. Damages from abuse or misuse
7. Operated contrary to the Operating and Installation Instructions
8. Cleaning of equipment
9. Seasoning of griddle plates
10. Voltage conversions
11. Gas conversions
12. Pilot light adjustment
13. Miscellaneous adjustments
14. Thermostat calibration and by-pass adjustment
15. Resetting of circuit breakers or safety controls or reset buttons
16. Replacement of bulbs
17. Replacement of fuses
18. Repair of damage created during transit, delivery, & installation OR created by acts of God

PORTABLE EQUIPMENT

Star will not honor service bills that include travel time and mileage charges for servicing any products considered "Portable" including items listed below. These products should be taken to the Service Agency for repair:

- * The Model 510FD Fryer.
- * The Model 526TOA Toaster Oven.
- * The Model J4R, 4 oz. Popcorn Machine.
- * The Model 518CMA & 526CMA Cheese Melter.
- * The Model 12MC & 15MC & 18MCP Hot Food Merchandisers.
- * The Model 12NCPW & 15NCPW Nacho Chip/Popcorn Warmer.
- * All Hot Dog Equipment **except Roller Grills & Drawer Bun Warmers.**
- * All Nacho Cheese Warmers **except Model 11WLA Series Nacho Cheese Warmer.**
- * All Condiment Dispensers **except the Model HPD & SPD Series Dispenser.**
- * All Specialty Food Warmers **except Model 130R, 11RW Series, and 11WSA Series.**
- * All QCS/RCS Series Toasters **except Model QCS3 & RCS3 Series.**
- * All Fast Steamer Models **except Direct Connect Series.**

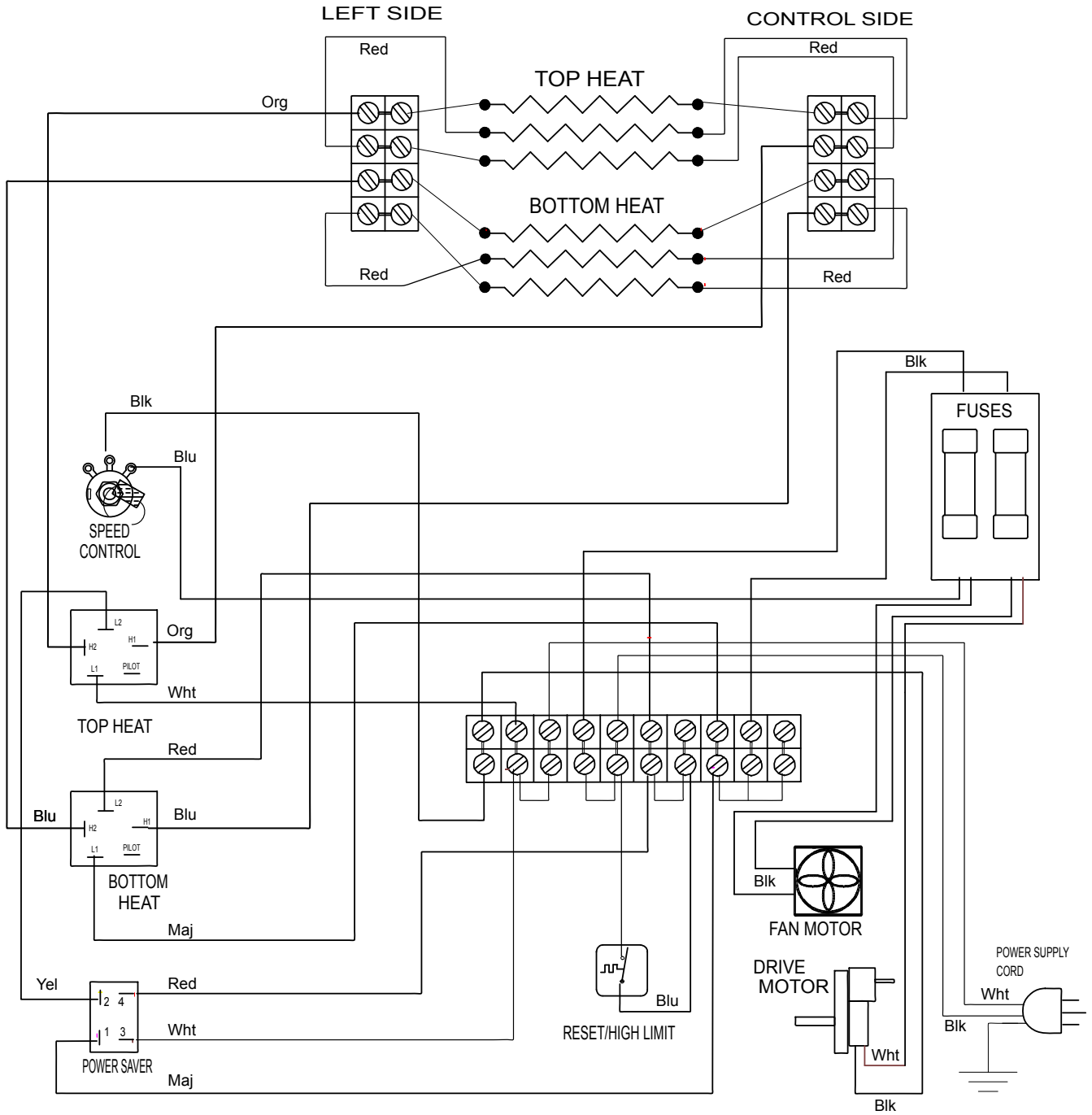
ALL:

- * Pop-Up Toasters
- * Butter Dispensers
- * Pretzel Merchandisers
(Model 16PD-A Only)
- * Pastry Display Cabinets
- * Nacho Chip Merchandisers
- * Accessories of any kind
- * Sneeze Guards
- * Pizza Ovens
(Model PO12 Only)
- * Heat Lamps
- * Pumps-Manual

The foregoing warranty is in lieu of any and all other warranties expressed or implied and constitutes the entire warranty.

FOR ASSISTANCE

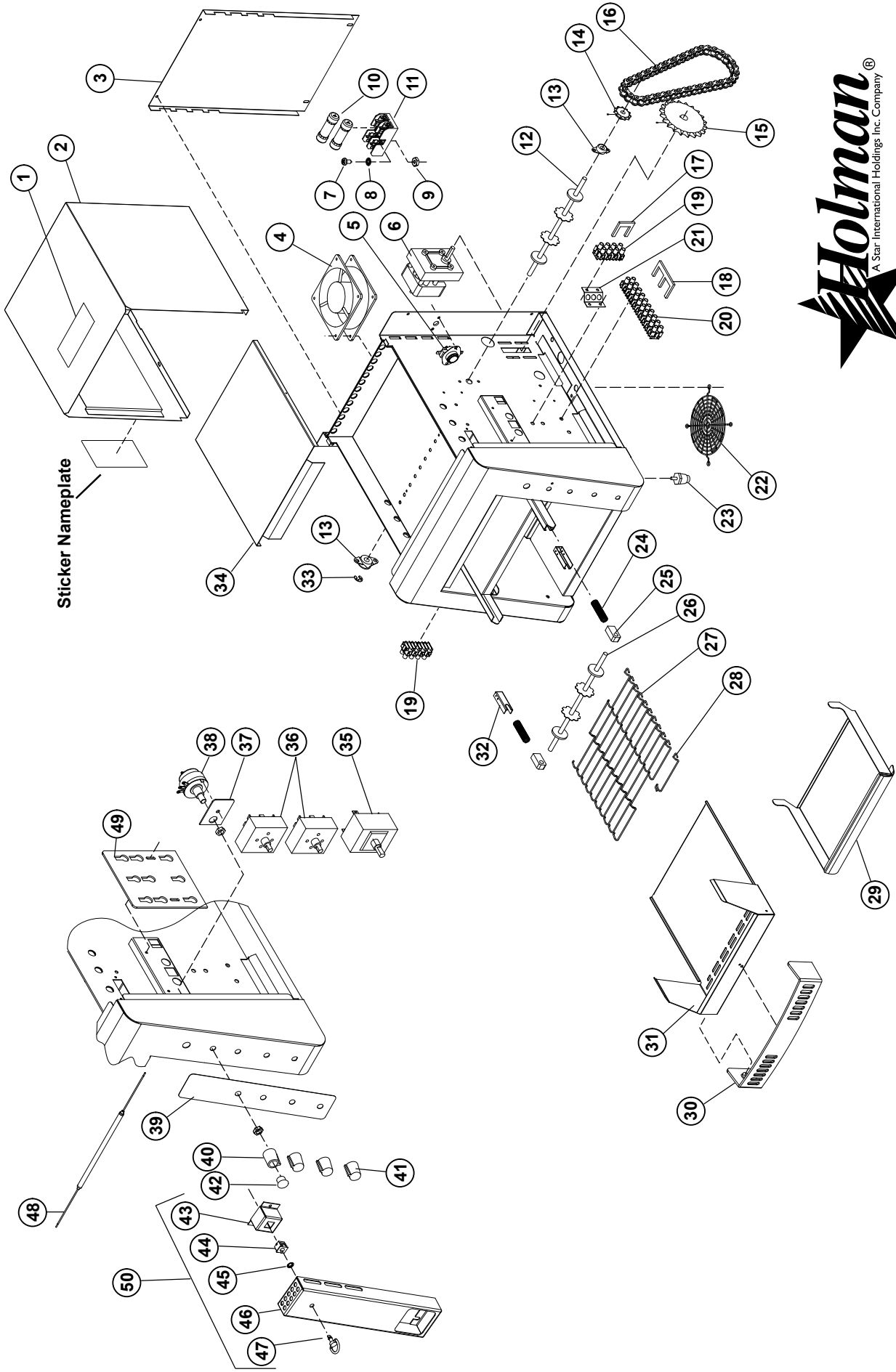
Should you need any assistance regarding the Operation or Maintenance of any Star equipment; write, phone, fax or email our Service Department. In all correspondence mention the Model number and the Serial number of your unit, and the voltage or type of gas you are using.



MODEL: QCS-3-1300 208/220/240V w/FUSE
Q3-95ARB 208/240 w/FUSE

THIS DRAWING CONTAINS INFORMATION CONFIDENTIAL TO STAR MFG. INT'L. INC.
 NO REPRODUCTION OR DISCLOSURE OF ITS CONTENTS IS PERMITTED.





SK2227 Rev. E 6/28/2007

MODEL: 9H-Q3-95ARB 208/240V CONVEYOR TOASTER

THIS DRAWING CONTAINS INFORMATION CONFIDENTIAL TO STAR MFG. INTL. INC.
 NO REPRODUCTION OR DISCLOSURE OF ITS CONTENTS IS PERMITTED.

PARTS LIST

October 13, 2014, Rev. G

Q3-95ARB-V02 & Q3-95ARB-V04 Conveyor Toaster

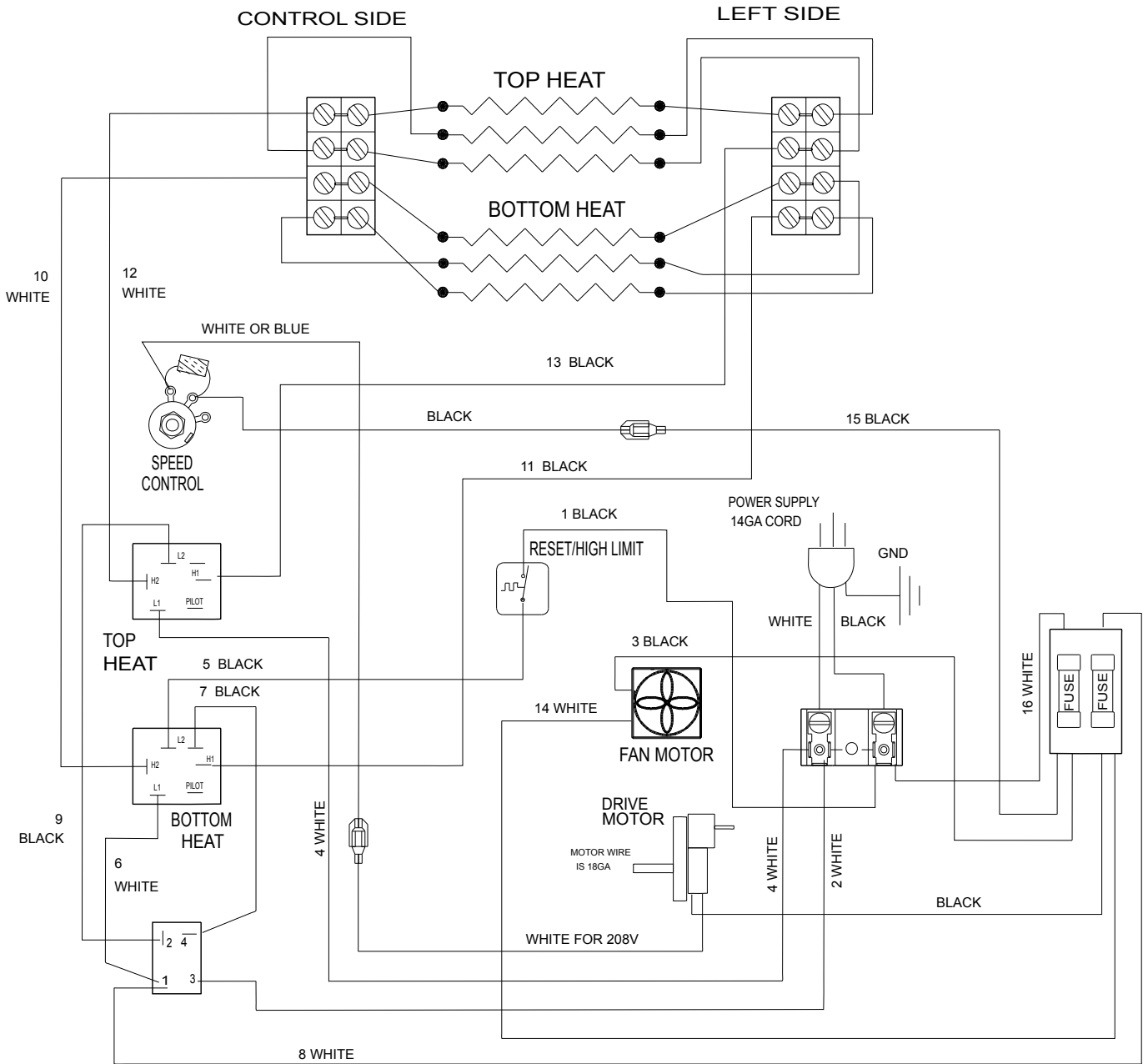
Key Number	Part Number	Number Per Unit	Description
1	2M-Z10370	1	LABEL - TOASTER WARNING
2	HH-101371	1	ENCLOSURE,
3	HH-402470	1	PANEL, BACK,
4	2U-200561	1	MOTOR, FAN
5	2E-200566	1	SWITCH, HIGH LIMIT RESET
6	2U-200509	1	MOTOR, DRIVE, FAN BLADE NOT INCLUDED
	2R-Z8879	1	2-5/8 DIA FAN BLACK FAN BLADE, MOTOR
7	2C-1487	2	SCREW 6-32X1/4 RHP ST, FUSEHOLDER
8	2C-H8669	2	WASHER #6 INT STL NP
9	2C-2553	2	NUT 6-32 HEX STL NP
10	2E-Z5681	1	FUSEHOLDER, CLASS G
11	2E-Z5680	2	FUSE, 5A - CLASS G
12	2A-202902	1	SHAFT, DRIVE
13	HA-112261	2	BUSHING, REAR
14	2P-Z8779	1	SPROCKET, DRIVEN (25B11 X 5/16")
15	2P-200645	1	SPROCKET, DRIVE (25B17 X 5/16")
16	2P-150013	1	CHAIN, DRIVE (19")
17	2P-115501	3	JUMPER, TERMINAL BLOCK, SMALL, 2 POS.
18	2P-115502	1	JUMPER, TERMINAL BLOCK, SMALL, 3 POS.
19	H9-Z10283	2	BLOCK, TERMINAL. SMALL, 4 POS.
20	H9-Z10282	1	BLOCK, TERMINAL, SMALL, 10 POS.
21	HH-Z10236	1	SPACER - TERMINAL BLOCK
22	2R-200562	1	GUARD, FAN MOTOR
23	2A-Z11501	4	FOOT-1" SOLID RUBBER
24	2P-200736	2	SPRING, BUSHING, FRONT
25	2P-200700	2	PTFE BEARING
26	2A-202905	1	SHAFT, IDLER
27	SP-160028	1	CONVEYOR, BELT (14" X 35")
28	2B-200603	3	LINK, MASTER, CONVEYOR BELT
29	HH-100561	1	TRAY, PULL-OUT
30	2R-200788	1	GUARD, CRUMB TRAY
	Crumb Tray Mounting Hardware		
	2C-200067	3	SCREW, 6-32 X 1/4 PHIL TRUSS SS
	2C-200101	3	WASHER, #6 LOCK MED SS
31	HH-Z10127	1	TRAY, CRUMB
32	2A-Z9394	2	SPRING BEARING HOUSING
33	2A-200284	1	E-CLIP
34	HH-100572	1	BAFFLE, AIR FLOW HI
35	2E-200551	1	SWITCH, ROTARY POWER SAVER
36	2J-200538	2	SWITCH, INFINITE
37	2P-402728	1	ANTI-SPIN PLATE
38	HC-120261	1	SPD CTRL, 500 OHM, w/600V DIODE 2 wires
39	2M-Z10269	1	LABEL, CONTROL PANEL
40	2R-200769	3	KNOB, POWER SAVER (before 1101)
41	2R-200768	1	KNOB, SPEED CONTROL, INFINITE SWITCH
42	2R-200708	4	CAP, KNOB
43	HH-Z10230	1	HOUSING - RECEPTACLE
44	2R-Z10228	1	SNAP-IN RECEPTACLE 1/4 TURN FAST
45	2R-Z10227	1	RETAINER
46	HH-Z10229	1	LOCKING COVER
	HC-Z12006	1	CONTROL COVER
47	2R-Z10226	1	1/4 TURN FASTENER
48	HH-Z10124	6	HEATER TUBE QUARTS, 208V (700W, 6.86 Ω, 69.3V) 208V
	HH-Z10138	6	ELEMENT QUARTZ, 240V (700W, 9.0 Ω, 80V) 240V
49	HC-402499	1	RETAINER, ELEMENT, 6 TUBE
50	PS-120251	1	THUMB SCREW COVER KIT
NI	2B-200602	1	LINK, CONVEYOR BELT
NI	2E-Z10181	1	CORD SET 12/3, POWER (NEMA 6-30)
NI	2E-Z9841	1	CORD, FAN MOTOR
NI	2K-200465	1	BUSHING, CORD HEYCO
NI	1P-Z8914	1	EXTR PRESSURE MULTIPURPOSE SYNTHETIC GREASE (80°F TO 400°F) 8 oz. TUBE
NI	HH-Z10125	1	HEAT SHUTTER SWINGING
NI	HC-120279	1	WIRE KIT FOR FUSE

Following Pages
Redesign unit implemented 5/2008

Models: Q3-95ARB-208V & 240V

- Simplified Wiring
- Fewer Terminal Blocks
- Identical Outside Appearance
- Metal Nameplate

QCS & RCS WIRED IN SERIES



WD# 2M-Z10835

THIS DRAWING CONTAINS INFORMATION CONFIDENTIAL TO STAR MFG. INT'L. INC.
NO REPRODUCTION OR DISCLOSURE OF ITS CONTENTS IS PERMITTED.

MODEL: QCS & RCS 3 wired in Series

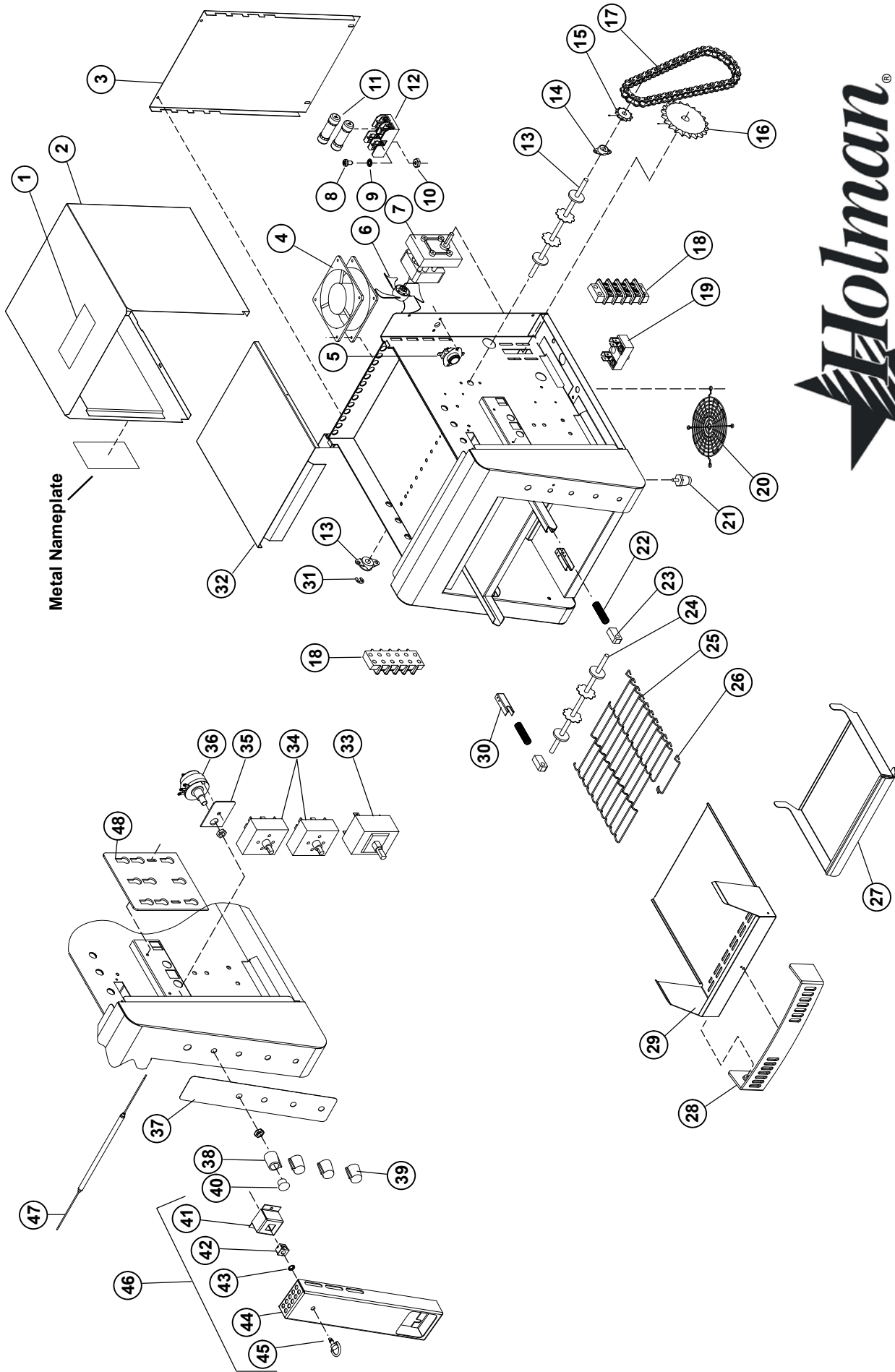


STAR MANUFACTURING INTERNATIONAL INC.

SK-Z10835

Rev B

1/2008



Rev - 5/01/08

SK2369

MODEL: Q3-95ARB-208/240V CONVEYOR TOASTER

THIS DRAWING CONTAINS INFORMATION CONFIDENTIAL TO STAR MFG. INTL., INC.
NO REPRODUCTION OR DISCLOSURE OF ITS CONTENTS IS PERMITTED.

PARTS LIST

October 13, 2014, Rev. G

Q3-95ARB-208V & Q3-95ARB-240V Conveyor Toaster

Key Number	Part Number	Number Per Unit	Description
1	2M-Z10370	1	LABEL - TOASTER WARNING
2	HC-120283	1	CHASSIS ENCLOSURE ASSY
3	HC-Z11212	1	BACK PANEL,QCS-3
4	2U-200561	1	MOTOR,FAN240V 23BTM
5	2E-200566	1	SWITCH, RESET, 0796
6	2R-Z8879	1	2-5/8 DIA FAN BLACK CW
7	HB-120262	1	MOTOR ASSY 208-240V
8	2C-1487	2	SCREW 6-32X1/4 RHP STL NP
9	2C-H8669	2	WASHER #6 INT STL NP
10	2C-2553	2	NUT 6-32 HEX STL NP
11	2E-Z5680	2	FUSE, 5A - CLASS G
12	2E-Z5681	1	FUSEHOLDER, CLASS G
13	2A-202902	1	SHAFT, T714 DRIVE
14	HA-112263	2	BEARING ASSY PTFE/BRONZE
15	2P-Z8779	1	SPROCKET 25P-11T .313 ID
16	2P-200645	1	SPROCKET, 25B17 X 5/16
17	2P-150013	1	DRIVE CHAIN #25 ROLLER
18	2E-Z10406	2	TERMINAL BLOCK 4 POS
19	2E-Z9736	1	TERMINAL BLOCK - POWER
20	2R-200562	1	FAN GUARD
21	2A-Z11501	4	FOOT-1" SOLID RUBBER
22	2P-200736	2	2 INCH BEARING SPRING
23	2P-200700	2	SPRING LOAD BEARING PTFE
24	2A-202905	1	SHAFT, 214HX IDLER
25	SP-160028	1	CONVEYOR, BELT (14" X 35")
26	2B-200603	3	BELT LINK 14IN SPACECLIP
27	HH-100561	1	TRAY, PULL OUT, QCS, 14
28	2R-200788	1	QCS-3 CRUMB TRAY GUARD
	Crumb Tray Mounting Hardware		
	2C-200067	3	SCREW, 6-32 X 1/4 PHIL TRUSS SS
	2C-200101	3	WASHER, #6 LOCK MED SS
29	HH-Z10127	1	CRUMB TRAY
30	HA-Z9743	2	SPRING RETAINER (2)
31	2A-200284	1	E-CLIP 5/16"
32	HC-120285	1	ASSY, AIR BAFFLE QCS-3 HI
33	2E-200551	1	SWITCH ROTARY
34	2J-200538	2	SWITCH, EGO 240V INFINITE
35	2P-402728	1	POT, ANTI SPIN PLATE
36	HB-120261	1	SPEED CONTROL ASSY 500
37	2M-Z10269	1	LABEL QCS-3-95ARB CONTROL
38	2R-200768	3	KNOB, CONTROL Q SERIES
39	2R-200769	1	KNOB, POWERSAVER Q SERIES
40	2R-200708	4	KNOB, CONTROL CAP
41	HH-Z10230	1	HOUSING - RECEPTACLE
42	2R-Z10228	1	SNAP-IN REC.1/4 TURN FAST
43	2R-Z10227	1	RETAINER - 1/4 TURN FAST
44	HH-Z10229	1	LOCKING COVER 95ARB
45	2R-Z10226	1	1/4 TURN FASTENER, BAIL
46	PS-120251	1	THUMB SCREW COVER KIT
47	HH-Z10124	6	HEATERTUBE, QUARTZ 700W
	HH-Z10138	6	ELEMENT QUARTZ 700W 80V
	HC-Z10389	1	ELEMENT RETAINER,LFT,QCS-
	HC-Z10390	1	ELEMENT RETAINER,RHT,QCS-
NI	2B-200764	1	LOADUP, 14 EURO, WIRE
NI	2E-Z10181	1	CORD SET 12/3, 6-30P 80IN
NI	2K-200464	2	BUSHING, WIRE RING 7/8"
NI	2K-200465	1	BUSHING,CORD HEYCO12/3 BL
NI	2K-Y1139	1	BUSHING HEYCO SB500-6
NI	D9-Z10878	1	CORD SET 12/3 NEMA 6-30P
NI	HH-Z10125	1	HEAT SHUTTER SWINGING

208V
240V