

STAR[®] TOASTER

MODEL
STO2 & STO4

Installation and Operation Instructions

2M-Z2134 Rev.F 9/09/08



STO2



STO4



SAFETY SYMBOL



These symbols are intended to alert the user to the presence of important operating and maintenance instructions in the manual accompanying the appliance.

RETAIN THIS MANUAL FOR FUTURE REFERENCE NOTICE

Using any part other than genuine Star factory supplied parts relieves the manufacturer of all liability.

Star reserves the right to change specifications and product design without notice. Such revisions do not entitle the buyer to corresponding changes, improvements, additions or replacements for previously purchased equipment.

Due to periodic changes in designs, methods, procedures, policies and regulations, the specifications contained in this sheet are subject to change without notice. While Star Manufacturing exercises good faith efforts to provide information that is accurate, we are not responsible for errors or omissions in information provided or conclusions reached as a result of using the specifications. By using the information provided, the user assumes all risks in connection with such use.

MAINTENANCE AND REPAIRS

Contact your local authorized service agent for service or required maintenance. Please record the model number, serial number, voltage and purchase date in the area below and have it ready when you call to ensure faster service.

Model No. _____

Serial No. _____

Voltage _____

Purchase Date _____

Authorized Service Agent

Reference the listing provided with the unit

OR

for an updated listing go to:

Website: www.star-mfg.com
E-mail: Service@star-mfg.com
Telephone: (800) 807-9054 Local (314) 781-2777

The Star Service Help Desk

Business Hours: 8:00 am to 4:30 p.m. Central Standard Time

Telephone: (800) 807-9054 Local (314) 781-2777

Fax: (800) 396-2677 Local (314) 781-2714

E-mail: Parts@star-mfg.com
Service@star-mfg.com
Warranty@star-mfg.com

Website: www.star-mfg.com

Mailing Address: Star Manufacturing International Inc.
10 Sunnen Drive
St. Louis, MO 63143
U.S.A

SPECIFICATIONS:

STO2-120V

Type: Two Slot Pop-Up Toaster, 1 Control

Voltage: 120V AC, 60 HZ, Wattage: 900W, Amps: 7.5A

Plug Type: Nema 5-15P

Approximate weight: installed - 9 Lb (4.1 kg), shipping - 11 Lb, (5 kg)

Dimensions: 6" - Width, 10" - Depth, 9" - Height
(15.2 cm - Width, 25.4 cm - Depth, 22.9 cm - Height)

STO4-120V (UL) and 120V (C-UL)

Type: Four Slot Pop-Up Toaster, 2 Controls

Voltage: 120V AC, 60 HZ, Wattage: 1800W, Amps: 15A

Plug Type: Nema 5-15P (UL), Nema 5-20P (CUL)

Approximate weight: installed - 13 Lb (5.9 kg), shipping - 15 Lb, (6.8 kg)

Dimensions: 10 1/8" - Width, 10" - Depth, 9 1/16" - Height
(25.7 cm - Width, 25.4 cm - Depth, 23 cm - Height)

STO4H-240V

Type: Four Slot Pop-Up Toaster, High Performance, 2 Controls

Voltage: 240V AC, 60 HZ, Wattage: 2400W, Amps: 10A

Plug Type: Nema 6-15P

Approximate weight: installed - 13 Lb (5.9 kg), shipping - 15 Lb, (6.8 kg)

Dimensions: 10 1/8" - Width, 10" - Depth, 9 1/16" - Height
(25.7 cm - Width, 25.4 cm - Depth, 23 cm - Height)

STO4H-208V

Type: Four Slot Pop-Up Toaster, High Performance, 2 Controls

Voltage: 208V AC, 60 HZ, Wattage: 2400W, Amps: 11.5A

Plug Type: Nema 6-15P

Approximate weight: installed - 13 Lb (5.9 kg), shipping - 15 Lb, (6.8 kg)

Dimensions: 10 1/8" - Width, 10" - Depth, 9 1/16" - Height
(25.7 cm - Width, 25.4 cm - Depth, 23 cm - Height)

GENERAL INSTALLATION DATA



CAUTION

This equipment is designed and sold for commercial use only by personnel trained and experienced in its operation and is not sold for consumer use in and around the home nor for use directly by the general public in food service locations.

INSTALLATION

These models are equipped for the voltage and wattage indicated on the nameplate. These units are designed to operate on alternating current (A.C.), two wire single phase service only and are equipped with an approved lead in cord set with a three prong grounding type plug.

WARNING



DO NOT CONNECT TO ANY OTHER TYPE OF VOLTAGE OR THE MACHINE WILL BE SERIOUSLY DAMAGED.

For best results use 2 day old bread. Some breads will toast better if dropped in sideways or upside down. Different brands of bread will have various toasting qualities. Very fresh or moist bread of uneven texture and bread that is not sliced evenly will not make good toast. Avoid use of small unevenly cut slices. When using different kinds of bread, it may be necessary to change the timer adjustment to get the desired color. Sliced bread that has been opened will be dryer on one side than the other and it will toast darker on the dryer side.

CAUTION

DO NOT USE FOREIGN OBJECTS TO REMOVE THE TOAST. DOING SO MAY CAUSE DAMAGE TO THE ELEMENTS OR POSSIBLE LOSS OF LIFE.



OPERATING PROCEDURE

This toaster has a unique toast-bun switch which allows the user to toast bread on both sides when in the "toast" position or on one side only in the "bun" position. One sided toasting can be used for items such as a bun or bagel. One sided toasting occurs on each of the two slices facing the middle elements. Push the rocker switch down on the bun end for one sided toasting. Also, each two-slice section in the four-slice model is separately controlled with individual controls and operating levers. For first toasting, set adjustment knob as shown in Fig. 1 between "Light and Dark." Drop bread in toasting wells. Press down front handle as far as it will go. This automatically lowers the bread, turns on the heating elements and starts the timing. When toast is finished it will pop up and automatically turn off the heaters. If toast is too dark, move adjustor knob counterclockwise toward "Light" and clockwise toward "Dark" if toast is too light. Then try it again with two fresh slices of bread. After you once determine the correct setting, no further adjustments are necessary unless different kinds of bread are used. The first one or two cycles will be slower due to a cold toaster. Toast times will shorten as the toaster warms up. The color control will automatically correct for this warmup.

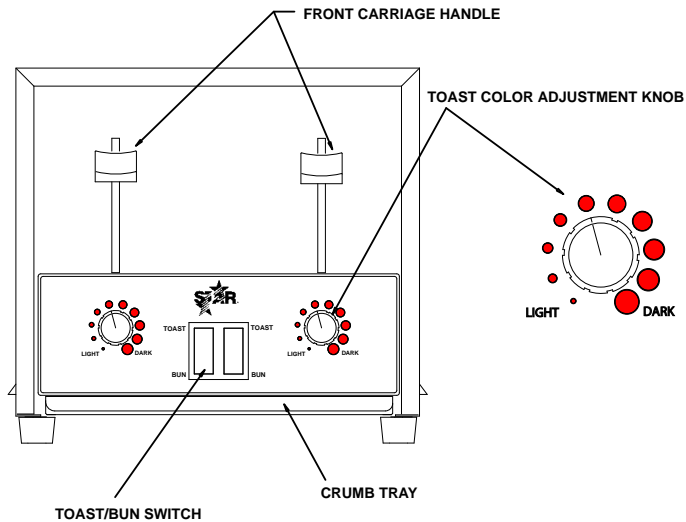


FIG. 1

CHECK LINE CAPACITY 4 SLICE TOASTER

On the 4 slice toaster, adjust each section independently with the other section turned off. After both sections are properly adjusted, and with out changing the adjustments, make toast in both sections at the same time. If it takes longer and if the color of toast is lighter when both sections are operated at the same time, it usually indicates that the electric line supplying the current is not heavy enough to carry the load. In such cases larger wires are to be used to supply sufficient current to the toaster.

BREAD RELEASE

Avoid lifting the bread for inspection, while it is toasting. Restarting the toaster will reset the timing cycle and toast may burn. The toaster is automatic and will pop up the bread when toast is finished. The manual bread release is for use in emergencies only.

CLEANING

Keep toaster clean and free of excessive crumbs. To remove crumbs, remove tray, empty crumbs then push the tray back in place. Crumb tray must be in place before toasting. If partially opened, it will disturb the proper timing.



Do not immerse toaster in water or hose down with water to clean. Use a damp soft cloth with a very mild soap to wipe down outside of toaster.

Visit our Website at: www.star-mfg.com

Email: service@star-mfg.com

THOROUGHLY INSPECT YOUR UNIT ON ARRIVAL

This unit has been tested for proper operation before leaving our plant to insure delivery of your unit in perfect condition. However, there are instances in which the unit may be damaged in transit. In the event you discover any type of damage to your product upon receipt, you must immediately contact the transportation company who delivered the item to you and initiate your claim with same. If this procedure is not followed, it may affect the warranty status of the unit.

LIMITED EQUIPMENT WARRANTY

All workmanship and material in Star products have a one (1) year limited warranty on parts & labor in the United States and Canada. Such warranty is limited to the original purchaser only and shall be effective from the date the equipment is placed in service. Star's obligation under this warranty is limited to the repair of defects without charge, by the factory authorized service agency or one of its sub-agencies. Models that are considered portable (*see below*) should be taken to the closest Star service agency, transportation prepaid.

- > Star will not assume any responsibility for loss of revenue.
- > On all shipments outside the United States and Canada, see International Warranty.
- * The warranty period for the JetStar six (6) ounce & Super JetStar eight (8) ounce series popcorn machines is two (2) years.
- * The warranty period for the Chrome-Max Griddles is five (5) years on the griddle surface. See detailed warranty provided with unit.
- * The warranty period for Teflon/Dura-Tec coatings is one year under normal use and reasonable care. This warranty does not apply if damage occurs to Teflon/Dura-Tec coatings from improper cleaning, maintenance, use of metallic utensils, or abrasive cleaners. This warranty does not apply to the "non-stick" properties of such materials.
- > This warranty does not apply to "Special Products" but to regular catalog items only. Star's warranty on "Special Products" is six (6) months on parts and ninety (90) days on labor.
- > This warranty does not apply to any item that is disassembled or tampered with for any purpose other than repair by a Star Authorized Service Center or the Service Center's sub-agency.
- > This warranty does not apply if damage occurs from improper installation, misuse, wrong voltage, wrong gas or operated contrary to the Installation and Operating instructions.
- > This warranty is not valid on Conveyor Ovens *unless* a "start-up/check-out" has been performed by a Factory Authorized Technician.

PARTS WARRANTY

Parts that are sold to repair out of warranty equipment are warranted for ninety (90) days. The part only is warranted. Labor to replace the part is chargeable to the customer.

SERVICES NOT COVERED BY WARRANTY

- | | |
|--|---|
| 1. Travel time and mileage rendered beyond the 50 mile radius limit | 10. Voltage conversions |
| 2. Mileage and travel time on portable equipment (<i>see below</i>) | 11. Gas conversions |
| 3. Labor to replace such items that can be replaced easily during a daily cleaning routine, ie; removable kettles on fryers, knobs, grease drawers on griddles, etc. | 12. Pilot light adjustment |
| 4. Installation of equipment | 13. Miscellaneous adjustments |
| 5. Damages due to improper installation | 14. Thermostat calibration and by-pass adjustment |
| 6. Damages from abuse or misuse | 15. Resetting of circuit breakers or safety controls or reset buttons |
| 7. Operated contrary to the Operating and Installation Instructions | 16. Replacement of bulbs |
| 8. Cleaning of equipment | 17. Replacement of fuses |
| 9. Seasoning of griddle plates | 18. Repair of damage created during transit, delivery, & installation OR created by acts of God |

PORTABLE EQUIPMENT

Star will not honor service bills that include travel time and mileage charges for servicing any products considered "Portable" including items listed below. These products should be taken to the Service Agency for repair:

- * The Model 510FD Fryer.
- * The Model J4R, 4 oz. Popcorn Machine.
- * The Model 518CMA & 526CMA Cheese Melter.
- * The Model 12MC & 15MC & 18MCP Hot Food Merchandisers.
- * The Model 12NCPW & 15NCPW Nacho Chip/Popcorn Warmer.
- * All Hot Dog Equipment **except Roller Grills & Drawer Bun Warmers.**
- * All Nacho Cheese Warmers **except Model 11WLA Series Nacho Cheese Warmer.**
- * All Condiment Dispensers **except the Model HPDE, & SPDE Series Dispenser.**
- * All Specialty Food Warmers **except Model 130R, 11RW Series, and 11WSA Series.**
- * All QCS/RCS Series Toasters **except Model QCS3 & RCS3 Series.**

ALL:

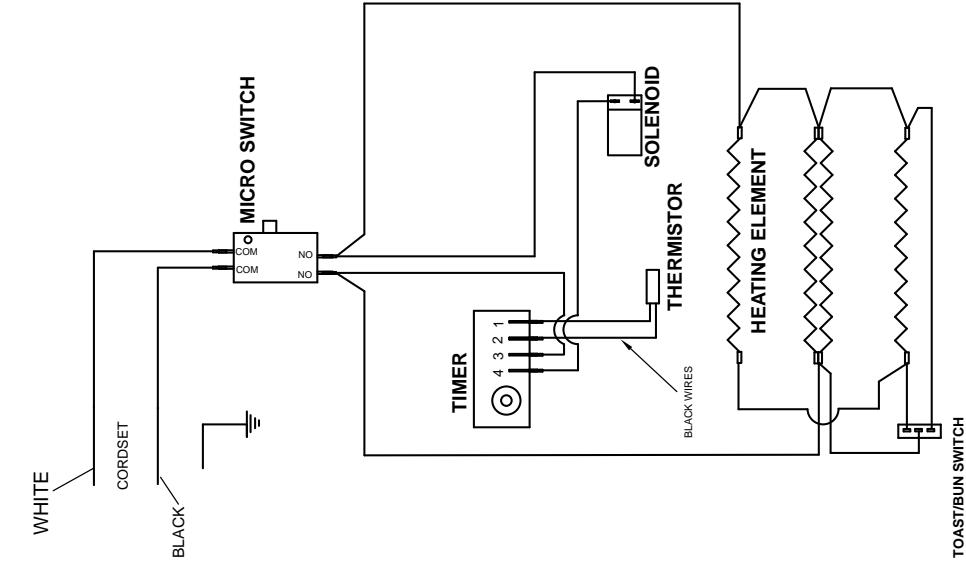
- * Pop-Up Toasters
- * Butter Dispensers
- * Pretzel Merchandisers
- * Pastry Display Cabinets
- * Nacho Chip Merchandisers
- * Accessories of any kind
- * Sneeze Guards
- * Pizza Ovens
- * Heat Lamps
- * Pumps

The foregoing warranty is in lieu of any and all other warranties expressed or implied and constitutes the entire warranty.

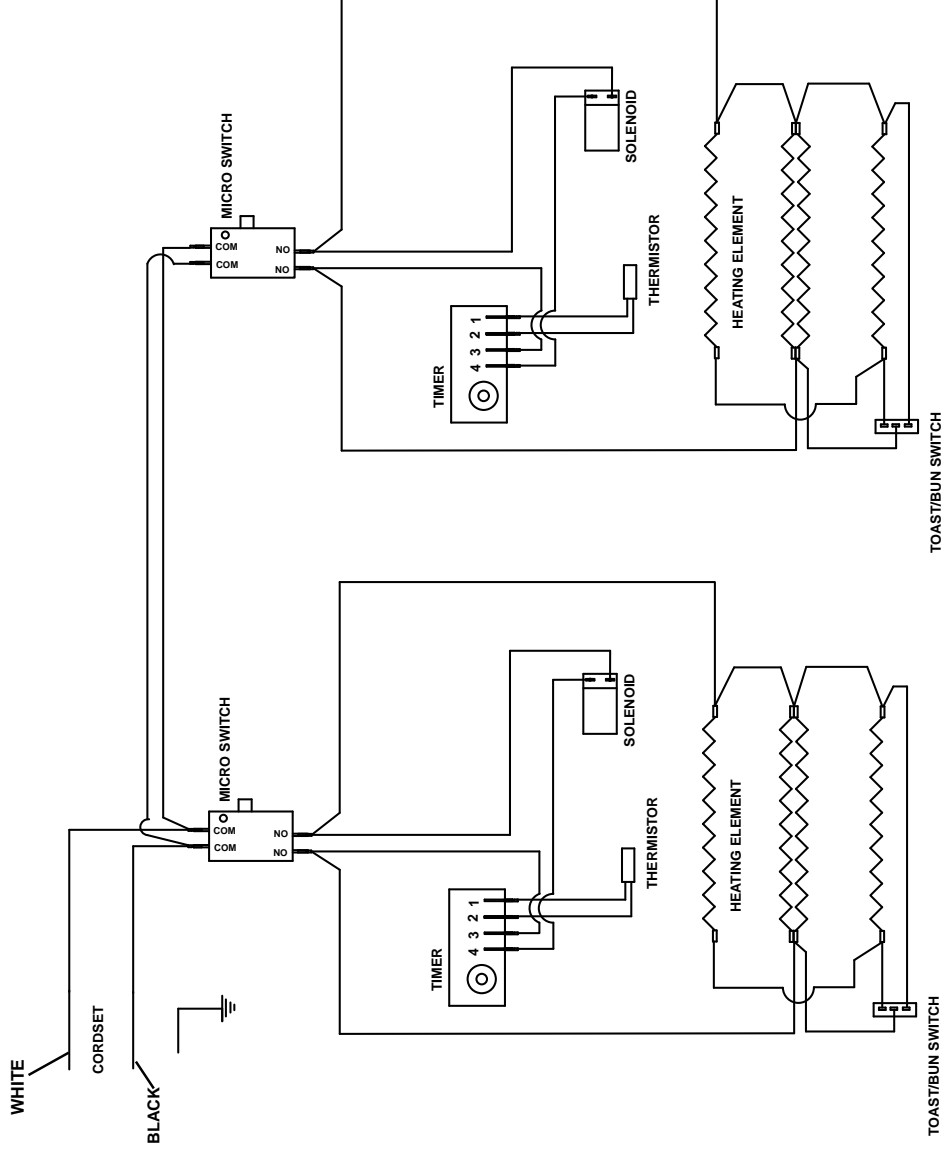
FOR ASSISTANCE

Should you need any assistance regarding the Operation or Maintenance of any Star equipment; write, phone, fax or email our Service Department. In all correspondence mention the Model number and the Serial number of your unit, and the voltage or type of gas you are using.

2 SLICE-120V.



4 SLICE-120V.



MODEL: ST02-ST04 120V WIRING DIAGRAM

THIS DRAWING CONTAINS INFORMATION CONFIDENTIAL TO STAR MFG. INT'L. INC.
NO REPRODUCTION OR DISCLOSURE OF ITS CONTENTS IS PERMITTED.

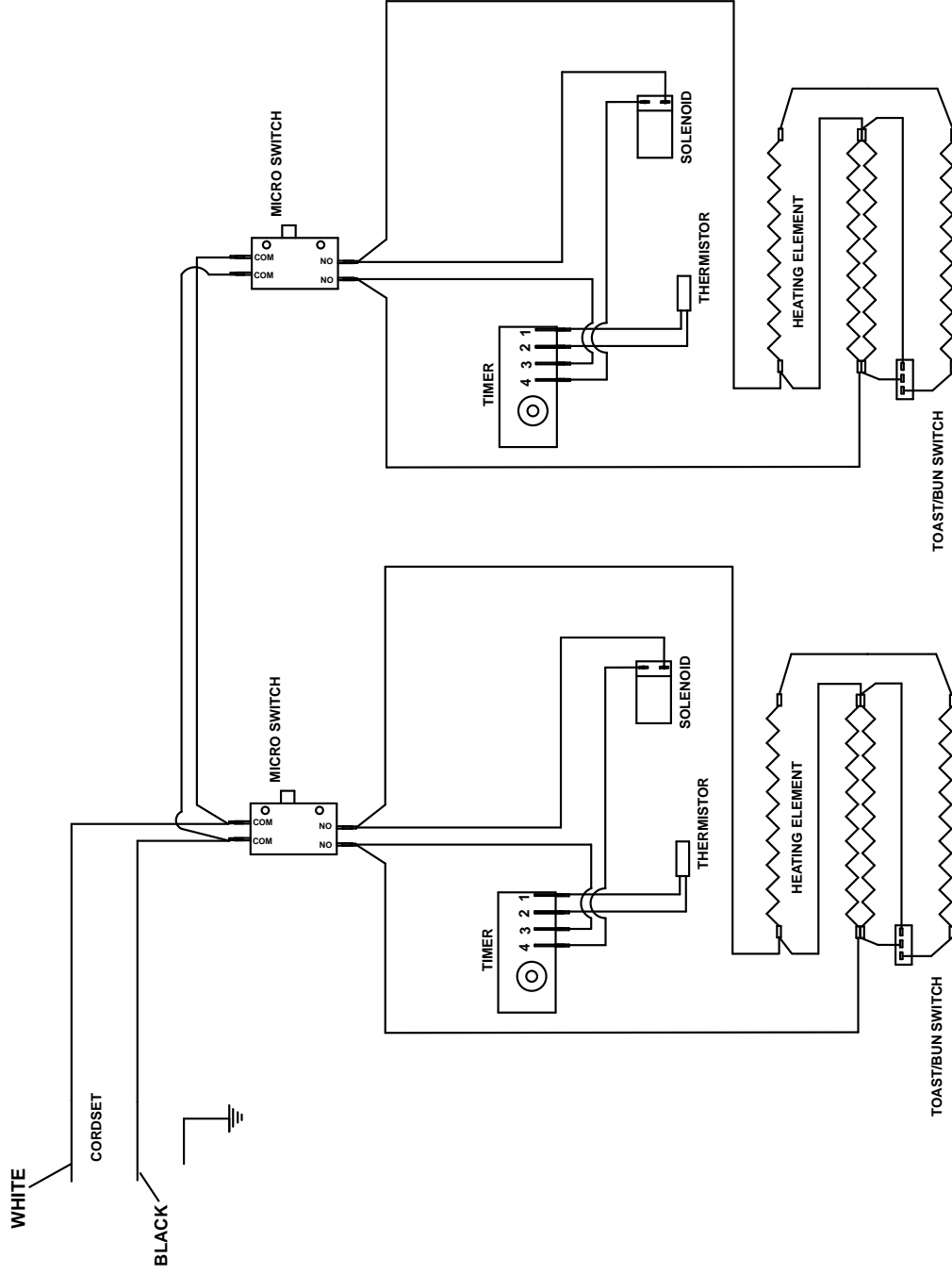
STAR MANUFACTURING INTERNATIONAL INC.

SK1751

Rev A

09/06/2001

4 SLICE-208/240V.



MODEL: STO4 208-240V WIRING DIAGRAM

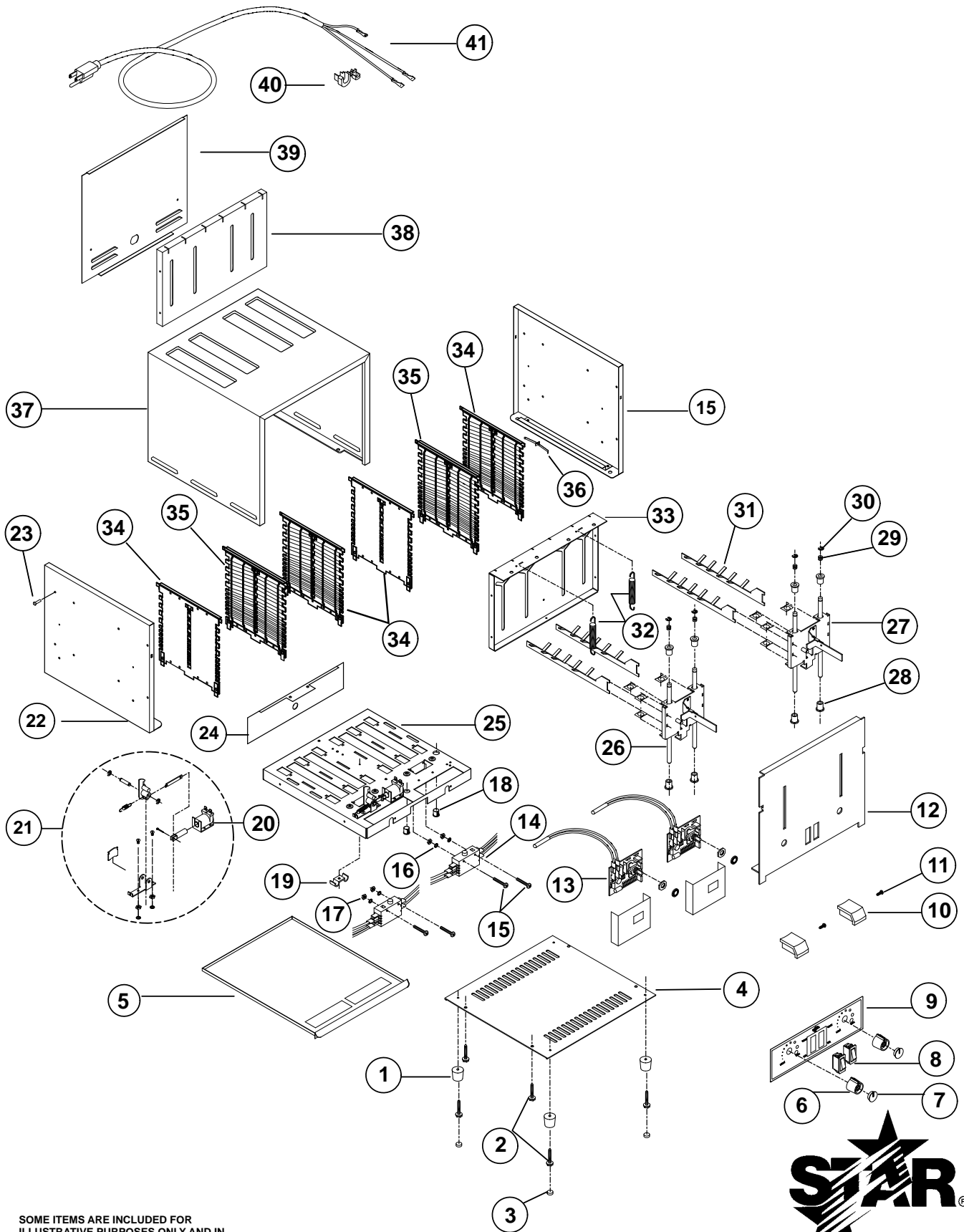
THIS DRAWING CONTAINS INFORMATION CONFIDENTIAL TO STAR MFG. INT'L. INC.
 NO REPRODUCTION OR DISCLOSURE OF ITS CONTENTS IS PERMITTED.

STAR MANUFACTURING INTERNATIONAL INC.

SK1751

Rev A

09/06/2001



SOME ITEMS ARE INCLUDED FOR ILLUSTRATIVE PURPOSES ONLY AND IN CERTAIN INSTANCES MAY NOT BE AVAILABLE

MODEL: ST04 & ST02 TOASTER

STAR MANUFACTURING INTERNATIONAL, INC.

SK1622

REV. D

7/20/2006



PARTS LIST

September 9, 2008, Rev. F

MODEL STO2 and STO4 TOASTER

Key Number	Part Number	Number Per Unit	Description
1	2I-H7685	4	FEET
2	2C-08-07-0230	8	SCREW 8-32x17/32 ACHD
3	2P-9564	4	RUBBER BUTTON
4	A9-Z2084 (ST04)	1	BOTTOM PLATE
	A9-Z2085 (ST02)	1	BOTTOM PLATE
	A9-Z2240 (ST04G)	1	BTM PLT
	A9-Z2241 (ST02G)	1	BTM PLT
5	A9-Z2101 (ST04)	1	CRUMB TRAY
	A9-Z2102 (ST02)	1	CRUMB TRAY
6,7	2R-Z2055 (ST02/ST04)	1/2	KNOB – TIMER CONTROL WITH CAP INSERT
8	2E-Z2059 (ST02/ST04)	1/2	SWITCH S.P./S.T. 120V
	2E-Z2139 (ST02/ST04)	1/2	SWITCH S.P./S.T.240V
9	2M-Z2507 (ST04)	1	FRONT LOGO DECAL
	2M-Z2508 (ST02)	1	FRONT LOGO DECAL
10	2R-Z2506 (ST02/ST04)	1/2	KNOB CARRIAGE ARM
11	2C-Z2044 (ST02)	1	SCREW 6-20x1/2" PHIL PAN
	2C-Z2044 (ST04)	2	SCREW 6-20x1/2" PHIL PAN
12	A9-Z2091 (ST04)	1	FRONT PLATE
	A9-Z2092 (ST02)	1	FRONT PLATE
13	2E-Z2828 (ST02/ST04)	1/2	ELECT. TIMER 120V
	2E-Z2125 (ST02/ST04)	1/2	ELECT. TIMER 240V
	2E-Z2748 (ST04H)	2	ELECT. TIMER 240V
	2E-Z4269 (ST04H-208V)	2	ELECT. TIMER 208V
14	2E-Z3007 (ST02/ST04)	1/2	MICRO SWITCH 20 AMP
15	2C-08-07-0240 (STO2)	2	SCREW 6-32x1/4" RHP STL NP
	2C-08-07-0240 (STO4)	4	SCREW 6-32x1/4" RHP STL NP
16	2C-H8669 (STO2)	2	WASHER #6
	2C-H8669 (STO4)	4	WASHER #6
17	2C-2553 (STO2)	2	NUT 6-32 HEX
	2C-2553 (STO4)	4	NUT 6-32 HEX
18	2A-Z2072 (STO2)	1	SPACER
	2A-Z2072 (STO4)	2	SPACER
19	2C-Z2054	1	CLAMP-THERMISTER
20	2E-Z2045 (ST02/ST04)	1/2	SOLENOID 120V
	2E-Z2129 (ST02/ST04/ST04H)	1/2	SOLENOID 280/240V
21	A9-TO4015 (ST02/ST04)	1/2	TRIP LINK ASSY.
22	A9-TO4022	2	END PLATE ASSY.
23	2C-6349	12	SCREW #8X3/8 B THP STL NP
24	A9-Z2288 (ST04)	1	BARRIER BRCKT
25	A9-Z2082 (ST04)	1	BOTTOM
	A9-Z2083 (ST02)	1	BOTTOM
26	2A-Z2073 (ST02/ST04)	2/4	GUIDE ROD 1/4" DIA.
27	A9-TO4017 (ST02/ST04)	1/2	CARRIAGE ASSY.
28	2K-Z3039 (STO2)	4	BUSHING GUIDE
	2K-Z3039 (STO4)	8	BUSHING GUIDE

**IMPORTANT: WHEN ORDERING, SPECIFY VOLTAGE OR TYPE GAS DESIRED
INCLUDE MODEL AND SERIAL NUMBER**

PAGE 1
OF 2

Some items are included for illustrative purposes only and in certain instances may not be available.



Star Manufacturing International, Inc.

PARTS LIST

September 9, 2008, Rev. F

MODELS STO2 and STO4 TOASTER

Key Number	Part Number	Number Per Unit	Description
29	2P-Z2062 (ST02/ST04)	2/4	CARRIAGE RETURN SPRING
30	2P-Z2052 (ST02/ST04)	2/4	RETAINER RING
31	A9-Z2098 (ST02/ST04)	2/4	BREAD HOLDER
32	2P-Z2105 (ST02/ST04)	1/2	SPRING LIFT CARRIAGE
33	A9-Z2086 (ST04)	1	FRNT. ELE. PLATE
	A9-Z2087 (ST02)	1	FRNT. ELE. PLATE
34	2N-Z2051 (ST02/ST04)	2/4	HTG. ELEMENT (1 SIDE) (120V, 240V) & CUL
	2N-Z2750 (ST04H-240V)	4	HTG. ELEMENT (1 SIDE) (120V)
	2N-Z4271 (ST04H-208V)	4	HTG. ELEMENT (1SIDE) (104V)
35	2N-Z2050 (ST02/ST04)	1/2	HTG. ELEMENT (2 SIDE) (120V) & CUL
	2N-Z2126 (ST02/ST04)	1/2	HTG. ELEMENT (2 SIDE) (240V)
	2N-Z2749 (ST04H-240V)	2	HTG. ELEMENT (2 SIDE) (240V)
	2N-Z4270 (ST04H-208V)	2	HTG. ELEMENT (2 SIDE) (208V)
36	2P-6475	1	CLIP-TY
37	A9-Z2095 (ST04)	1	WRAPPER
	A9-Z2096 (ST02)	1	WRAPPER
38	A9-Z2088 (ST04)	1	BACK-ELE. PLATE
	A9-Z2089 (ST02)	1	BACK-ELE. PLATE
39	A9-Z2093 (ST04)	1	BACK PLATE-ST04
	A9-Z2094 (ST02)	1	BACK PLATE-ST02
40	2K-Y2968	1	STRAIN RELIEF-CORDSET
41	A9-TO4023	1	CORDSET 14/3 NEMA 5-15P 120V (UL MODEL)
	A9-TO4024	1	CORDSET 14/3 NEMA 6-15P 208V & 240V
	A9-TO4019	1	CORDSET 14/3 NEMA 5-20P 120V (CUL MODEL)

**IMPORTANT: WHEN ORDERING, SPECIFY VOLTAGE OR TYPE GAS DESIRED
INCLUDE MODEL AND SERIAL NUMBER**

PAGE 2
OF 2

Some items are included for illustrative purposes only and in certain instances may not be available.



Star Manufacturing International, Inc.

STAR MANUFACTURING

10 Sunnen Drive, St. Louis, MO 63143 U.S.A.

(800) 807-9054 (314) 781-2777

Parts & Service (800) 807-9054

www.star-mfg.com