



Model U411
SERVICE MANUAL

Manual No. [513688](#)

Rev.0

This manual provides basic information about the machine. Instructions and suggestions are given covering its operation and care.

The illustrations and specifications are not binding in detail. We reserve the right to make changes to the machine without notice, and without incurring any obligation to modify or provide new parts for machines built prior to date of change.

DO NOT ATTEMPT to operate the machine until instructions and safety precautions in this manual are read completely and are thoroughly understood. If problems develop or questions arise in connection with installation, operation, or servicing of the machine, contact Stoelting.



stoeltingfoodservice.com

Stoelting Foodservice Equipment
502 Highway 67
Kiel, WI 53042-1600
U.S.A.

Main Tel: 800.558.5807
Fax: 920.894.7029

Customer Service: 888.429.5920
Fax: 800.545.0662
Email: foodservice@stoelting.com

© 2014 PW Stoelting, LLC

A Few Words About Safety

Safety Information

Read and understand the entire manual before operating or maintaining Stoelting equipment.

This manual provides the operator with information for the safe operation and maintenance of Stoelting equipment. As with any machine, there are hazards associated with their operation. For this reason safety is emphasized throughout the manual. To highlight specific safety information, the following safety definitions are provided to assist the reader.

The purpose of safety symbols is to attract your attention to possible dangers. The safety symbols, and their explanations, deserve your careful attention and understanding. The safety warnings do not by themselves eliminate any danger. The instructions or warnings they give are not substitutes for proper accident prevention measures.

If you need to replace a part, use genuine Stoelting parts with the correct part number or an equivalent part. We strongly recommend that you do not use replacement parts of inferior quality.



Safety Alert Symbol:

This symbol Indicates danger, warning or caution. Attention is required in order to avoid serious personal injury. The message that follows the symbol contains important information about safety.

Signal Word:

Signal words are distinctive words used throughout this manual that alert the reader to the existence and relative degree of a hazard.



The signal word “WARNING” indicates a potentially hazardous situation, which, if not avoided, may result in death or serious injury and equipment/property damage.



The signal word “CAUTION” indicates a potentially hazardous situation, which, if not avoided, may result in minor or moderate injury and equipment/property damage.

CAUTION

The signal word “CAUTION” not preceded by the safety alert symbol indicates a potentially hazardous situation, which, if not avoided, may result in equipment/property damage.

NOTE (or NOTICE)

The signal word “NOTICE” indicates information or procedures that relate directly or indirectly to the safety of personnel or equipment/property.

TABLE OF CONTENTS

Section	Description	Page
1	Description and Specifications	
1.1	Description.....	1
1.2	Specifications	2
1.3	Component Settings.....	3
2	Refrigeration and Wiring Diagrams	
2.1	Refrigeration Diagram	5
2.2	Wiring Diagrams	6
3	Replacement Parts	
3.1	Brushes, Decals & Lubrication	9
3.2	Trays.....	9
3.3	Auger Shaft & Front Door Parts.....	10
3.4	Cab Tubing	11
3.5	Pump Parts.....	12
3.6	Spigot Assembly	14
3.7	Panels & Screws	14
3.8	Cab Components.....	15
3.9	Electrical Components.....	16
3.10	Cab Condensing Unit	17
3.11	Kits & Miscellaneous	17
3.12	Motor Assembly	18
3.13	Right Side	19
3.14	Left Side	20

SECTION 1 DESCRIPTION AND SPECIFICATIONS

1.1 DESCRIPTION

The Stoelting U411 floor model machine is pressure fed. It is equipped with fully automatic controls to provide a uniform product.

This manual is designed to assist qualified service personnel with information regarding the refrigeration and wiring specifications, replacement parts and settings of the U411.



Figure 1-1 Model U411 I2 Machine

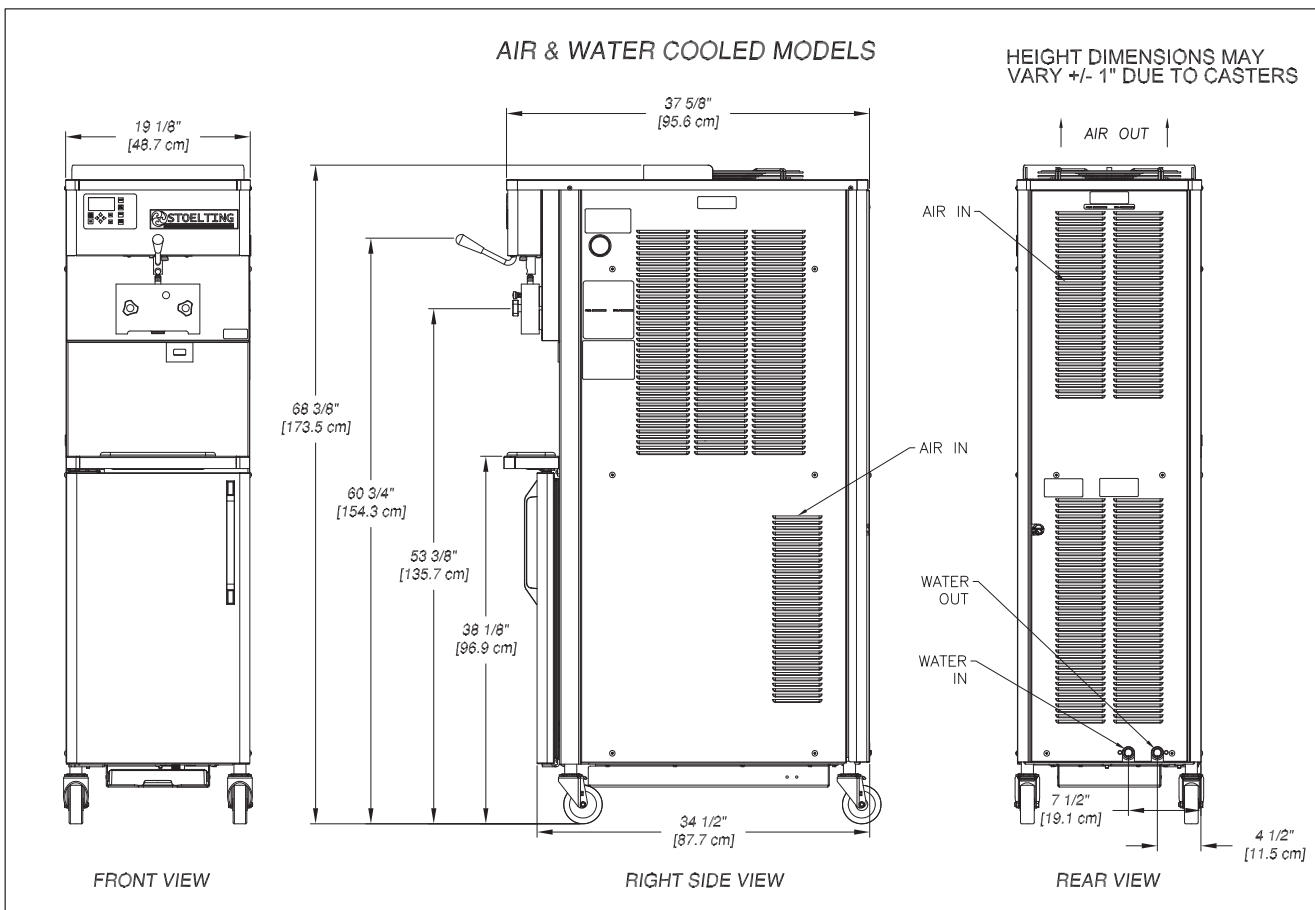


Figure 1-2 Dimensions

1.2 SPECIFICATIONS

Model U411		
Dimensions width height depth	Machine	with crate
	19-1/8" (48,6 cm)	27" (68,6 cm)
	68-3/8" (173,7 cm)	78" (198,1 cm)
	37-5/8" (95,6 cm)	48" (121,9 cm)
Weight	450 lbs (204,1 kg)	650 lbs (294,8 kg)
Electrical running amps connection type	1 Phase, 208-240 VAC, 60Hz	3 Phase, 208-240 VAC, 60Hz
	18A	15A
	NEMA L6-30P	NEMA L15-30P
Compressor	15,000 Btu/hr Scroll™ Compressor Cabinet - 1,300 Btu/hr Compressor (R-134a)	
Drive Motor	2 hp	
Air Flow	Air cooled units require 3" (7,6 cm) air space at the back and sides.	
Plumbing Fittings	Water cooled units require 1/2" N.P.T. water and drain fittings.	
Hopper Volume	8 gallons (30,29 liters)	
Freezing Cylinder Volume	1.33 gallon (5,03 liters)	

U411	
Refrigerant	R-404A
Charge	(W/C) 26 oz (A/C) 40 oz
Suction Pressure (at 72°F)	19-21 psig
Discharge Pressure	220-230 psig
Cabinet	
Refrigerant	R-134A
Charge	8 oz
Cab Suction Pressure	33 psig

1.3 COMPONENT SETTINGS

Following are the settings for the components in the U411 I2 machine.

A. COMPRESSOR WINDINGS

When testing the compressor windings the resistance through the windings should be as follows:

Compressor	Electrical	S to C	R to C
282076	1 PH	3.31Ω	1.28Ω
282116	1 PH	1.70Ω	1.02Ω
282117	3 PH	1.91Ω	1.54Ω
282111	1 PH	16.40Ω	10.20Ω

B. CAPACITORS

Refer to the following table for the capacitance of all the capacitors in the machine:

Capacitor	Part	Rating	
		MFD	VAC
Compressor - Start	230638	88-106 MFD	330 VAC
Compressor - Start	231049	88-106 MFD	330 VAC
Compressor - Run	230653	40 MFD	370 VAC
Compressor - Run	231048	40 MFD	440 VAC
Motor - Start	230622	200 MFD	250 VAC
Motor - Run	231075	30 MFD	370 VAC
Fan Motor	230654	5 MFD	400 VAC
Cab Compressor	230667	80 MFD	300 VAC

C. PUMP PRESSURE SWITCH

The pump pressure switch, located in the cabinet, maintains 21-24 psig in the mix line.

D. TEMPERATURE CONTROL SENSOR

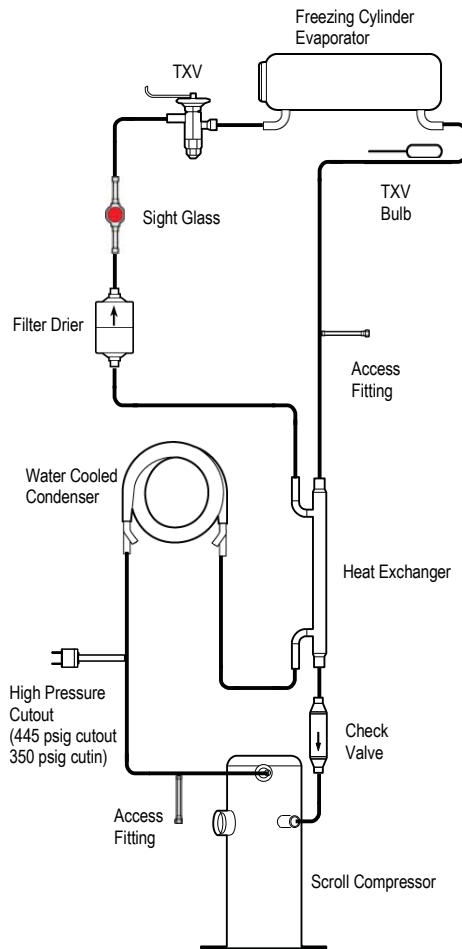
The following table shows the relationship between the thermistor resistance and the suction line temperature.

°F	Resistance	°F	Resistance
-22	176950	40	26100
-20	165200	42	24725
-18	154300	44	23400
-16	144200	46	22175
-14	134825	48	21000
-12	126125	50	19900
-10	118050	52	18875
-8	110550	54	17900
-6	103550	56	17000
-4	97075	58	16125
-2	91025	60	15325
0	85400	62	14550
2	80150	64	13825
4	75275	66	13150
6	70725	68	12500
8	66475	70	11875
10	62500	72	11300
12	58800	74	10750
14	55325	76	10250
16	52100	78	9750
18	49075	80	9300
20	46250	82	8850
22	43600	84	8450
24	41125	86	8050
26	38800	88	7675
28	36625	90	7325
30	34575	92	7000
32	32675	94	6675
34	30875	96	6375
36	29175	98	6100
38	27600	100	5825

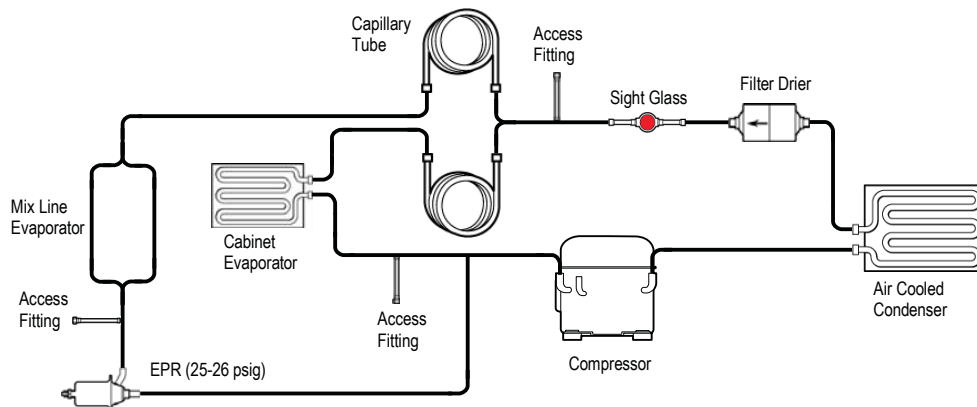
SECTION 2 REFRIGERATION AND WIRING DIAGRAMS

2.1 REFRIGERATION DIAGRAM

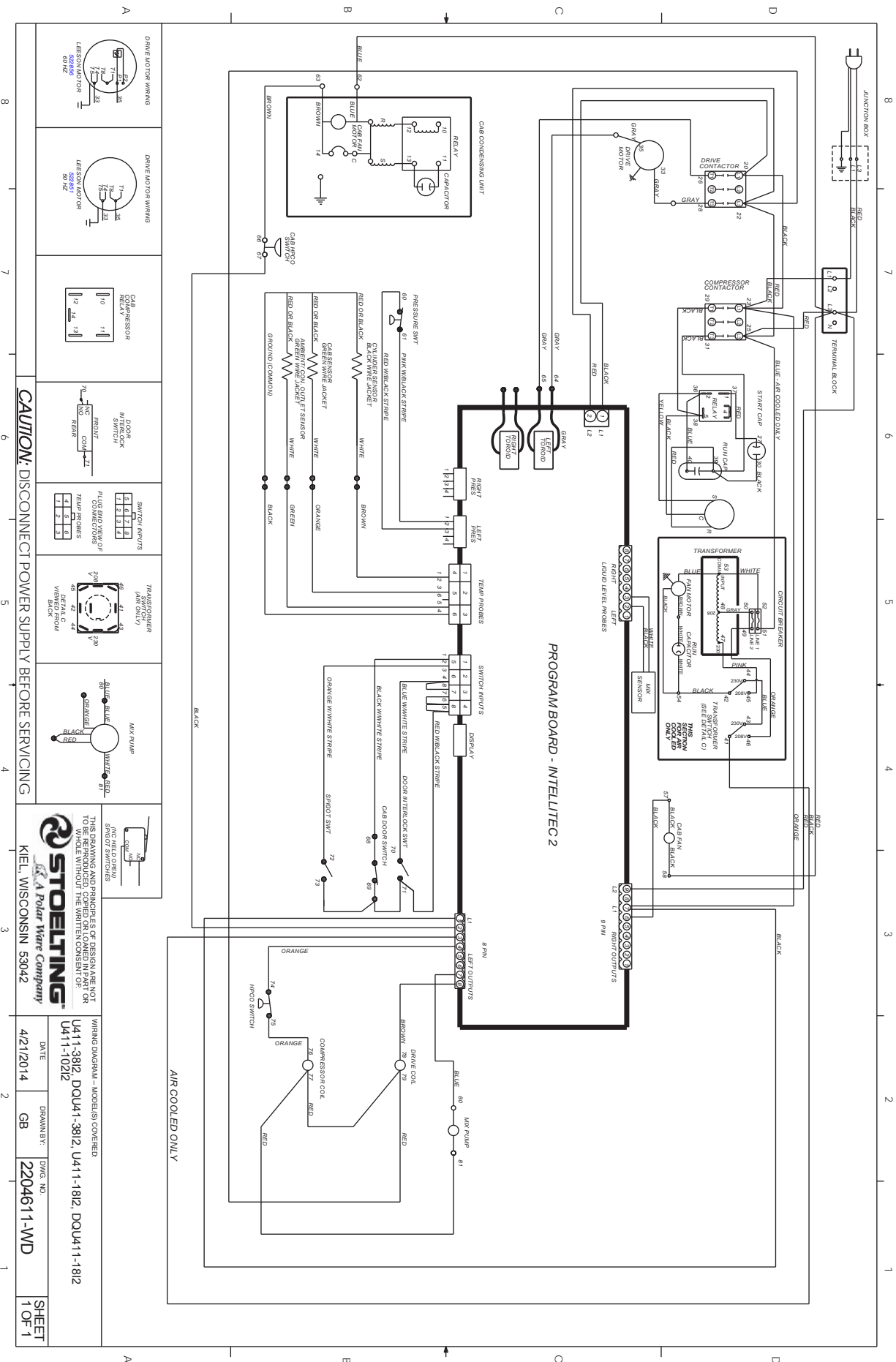
**Freezing Cylinder Refrigeration
R404A**



**Cabinet Refrigeration
R134A**



2.2 WIRING DIAGRAMS

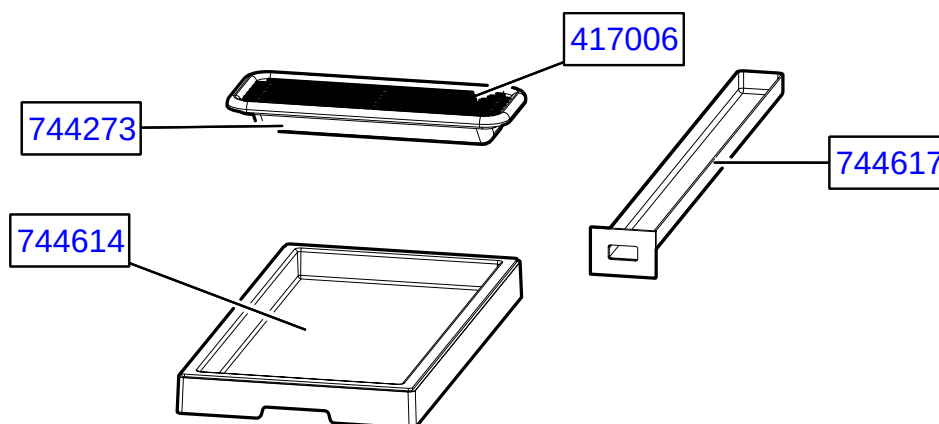


SECTION 3 REPLACEMENT PARTS

3.1 BRUSHES, DECALS & LUBRICATION

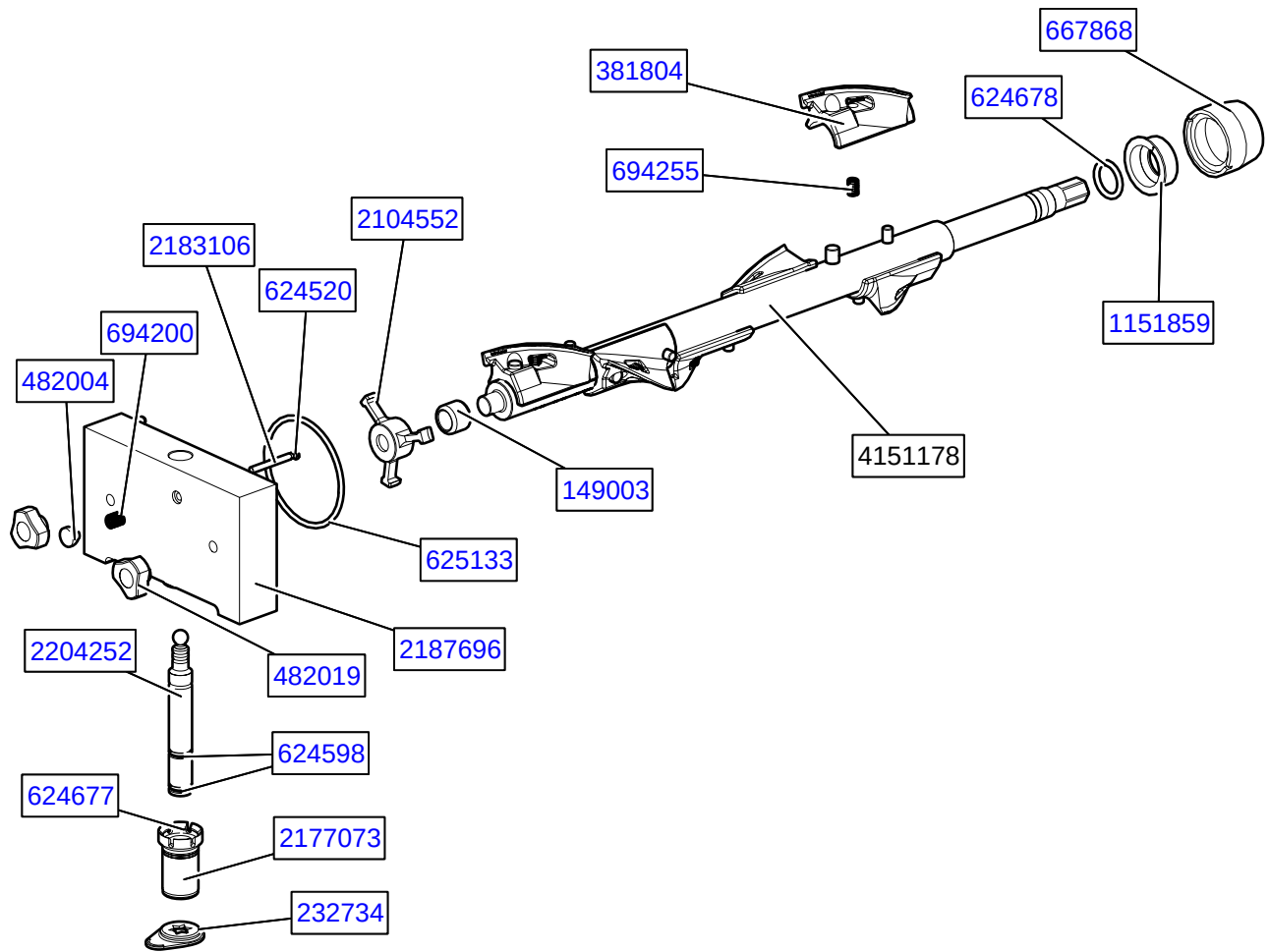
Part Number	Description	Quantity
208135	Brush - 4" X 8" X 16" (Barrel)	1
208380	Brush - 1/4" X 3" X 14"	1
208387	Brush - 5" X 1/2" X 24"	1
208465	Brush - 1" X 3-1/2" X 18"	1
208467	Brush - 3/8" X 1" X 5"	1
236067	Card - Cleaning Instruction	1
324065	Decal - Water Inlet	1
324105	Decal - Caution Electrical Shock	6
324106	Decal - Caution Electrical Wiring Materials	1
324107	Decal - Caution Hazardous Moving Parts	3
324141	Decal - Caution Rotating Blades	1
324200	Decal - Manual Reset	1
324208	Decal - Attention Refrigerant Leak Check	2
324509	Decal - Cleaning Instructions	1
324566	Decal - Wired According To	1
324584	Decal - Adequate Ventilation 3"	3
324803	Decal - Domed Stoelting Logo (Large) (Header Panel)	1
324859	Decal - Domed Dairy Queen Logo (Header Panel)	1
324888	Decal - Fan Motor Reset	1
324901	Decal - Transformer Switch	1
324909	Decal - USB Port	1
324942	Decal - Thermistor ID	1
508048	Lubricant - Spline (2 oz Squeeze Tube)	1
508135	Petrol Gel - 4 oz Tube	1
513680	Manual - Owner's	1
513687	Manual - Owner's (DQU411)	1
636073	DVD - Start-Up & Cleaning	1
1998209	Overrun Quick Reference	1
1998210	Card - Cleaning Instructions (DQ)	1
C-1000-26C	Decal - Made In USA	1

3.2 TRAYS



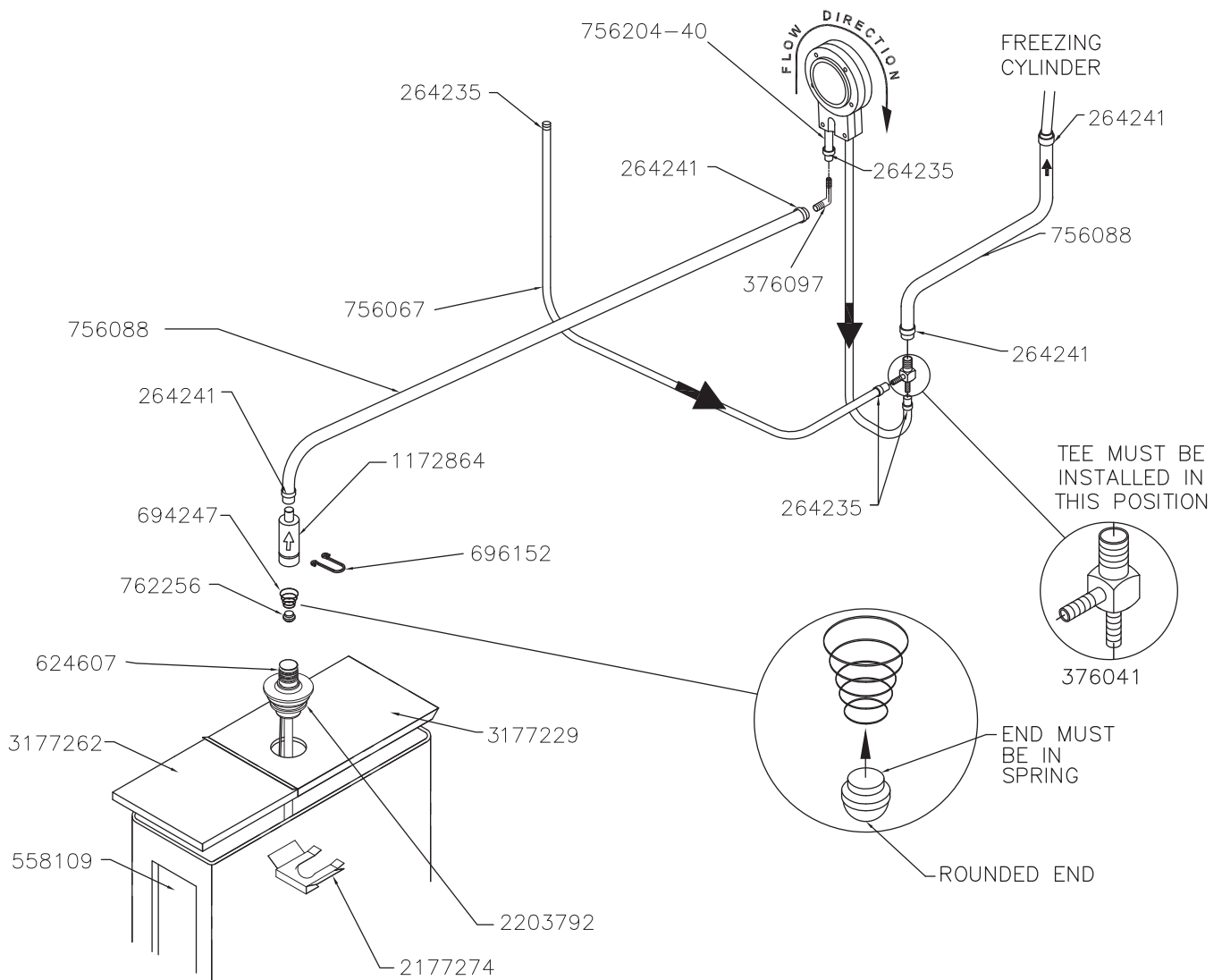
Part Number	Description	Quantity
417006	Grid - Drip Tray (Metal)	1
744273	Tray - Drip	1
744614	Condensate Pan (Under Cab)	1
744617	Tray - Drain	1

3.3 AUGER SHAFT & FRONT DOOR PARTS



Part Number	Description	Quantity
149003	Bushing - Front Auger Support	1
232734	Cap - Rosette	1
381804	Auger Flight	6
482004	Knob (Air Bleed Valve)	1
482019	Knob - Front Door (Black)	2
624520	O-Ring - Air Bleed Valve - Black	1
624598	O-Ring - Spigot - Black	2
624677	O-Ring - Spigot Extension - Black	1
624678	O-Ring - Rear Seal - Black	2
625133	O-Ring - Front Door - Black	1
667868	Seal - Rear Auger (Orange)	1
694200	Spring - Air Bleed Valve	1
694255	Spring - Auger Flight	6
1151859	Adapter - Rear Seal (Code 1)	1
2104552	Support - Front Auger	1
2177072	Extension - Spigot - 1.5"	1
2177073	Extension - Spigot - 2.5"	1
2177074	Extension - Spigot - 3.2"	1
2183106	Valve - Air Bleed (Front Door)	1
2187696	Front Door	1
2204252	Spigot Body	1
4151178	Auger Shaft	1

3.4 CAB TUBING

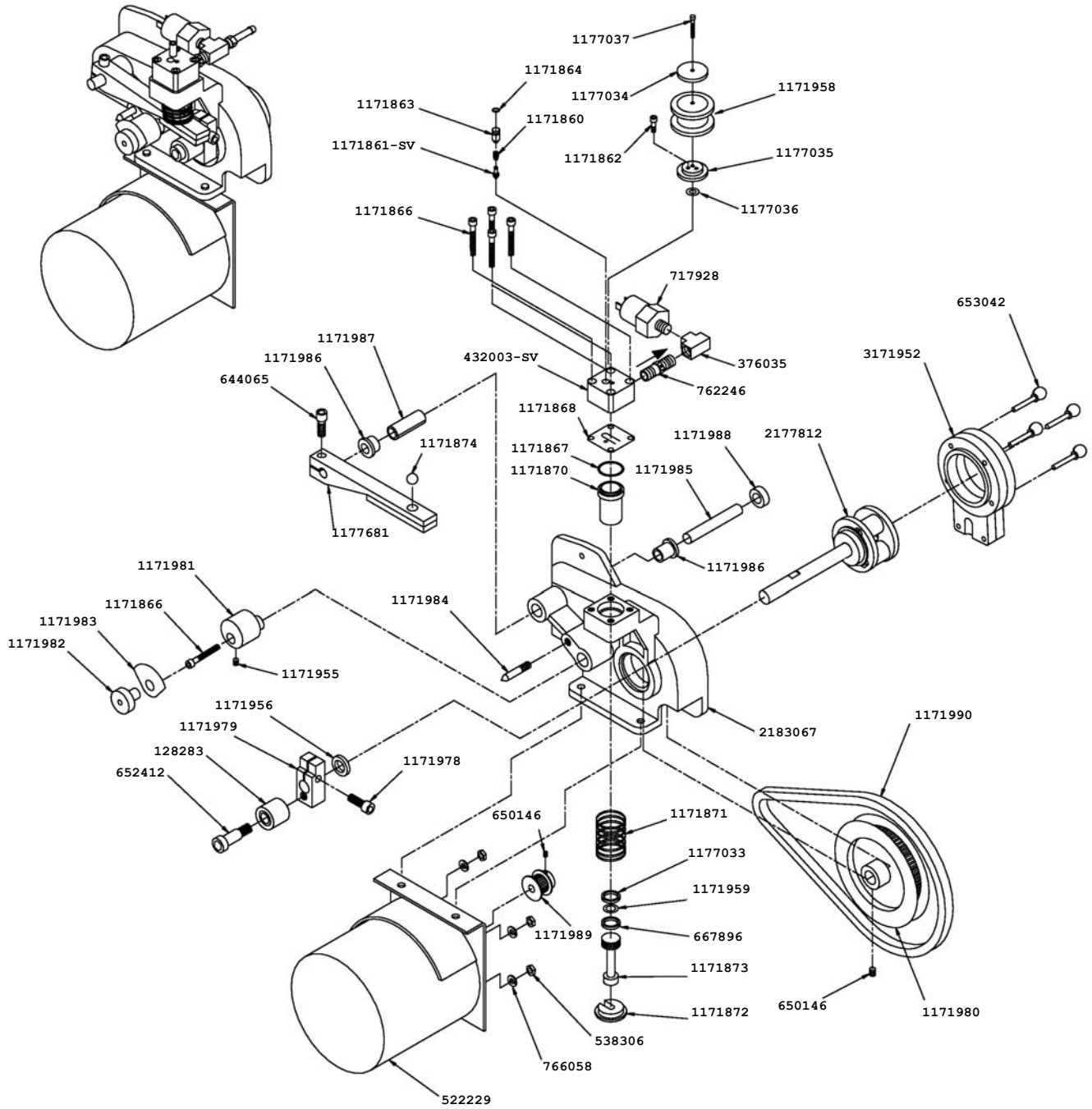


Part Number	Description	Quantity
264235	Clamp - Metal (1/4" ID Tubing)	4
264241	Clamp - Metal (1/2" ID Tubing)	4
376041	Tee Connector - 3-Way (Stainless)	1
376097	Elbow - Barbed (1/2" - 1/4")	1
558109	Mix Container Only	1
624607-5	O-Ring - Check Valve Body - Black (5 Pack)	2
694247	Spring - Check Valve	1
696152	Clip - Lock (Check Valve)	1
756067	Tubing - 1/4" ID - Clear - Air Line (25' Increments) (Per Inch)	13"
756088	Tubing - 1/2" ID - Clear - Mix Line (25' Increments) (Per Inch)	21" and 6"
756204	Tubing - 1/4" ID - Pump (50' Box Only) (Per Inch)	-
756204-40	Tubing - 1/4" ID - Pump (Pre-Cut 40" Piece)	1
762256	Check Valve - Mix Outlet	1
1172864	Check Valve - Mix In Line (Outer)	1
2177274	Clip - Retaining (Mix Probe To Cover)	1
2203792	Pick-Up Tube - Mix	1
3177229	Cover - Rear (Mix Container)	1
3177262	Cover - Front (Mix Container)	1

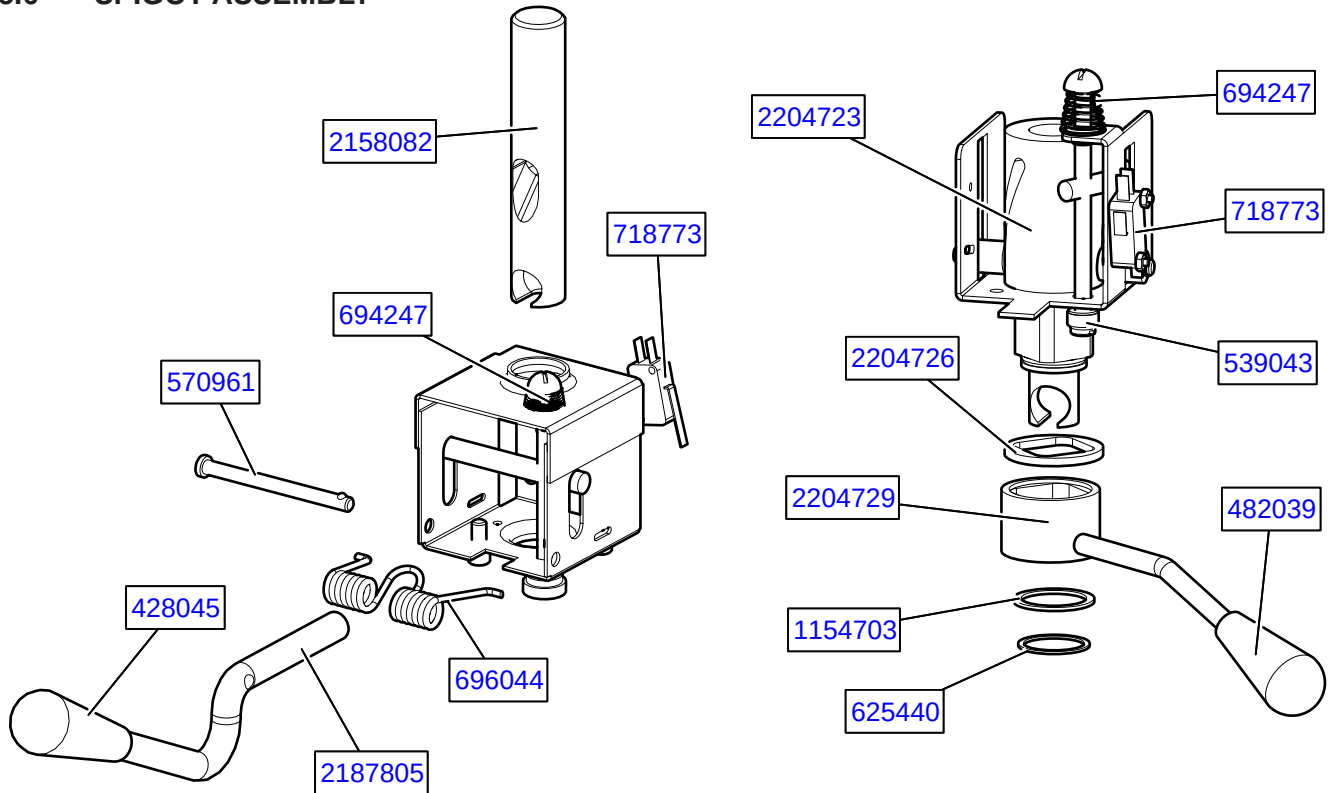
3.5 PUMP PARTS

Part Number	Description	Quantity
128283	Crank Arm Roller Assy (Requires #652412) (Cab)	1
128295	Rocker Arm Assembly w/Screw (Cab)	1
128296	Piston & Cylinder Sleeve Assembly (Pump) (Cab)	1
376035	Tee Connector - Air Pressure Switch (Cab)	1
432003-SV	Valve Head Only w/Tubes (Pump) (Cab)	1
522229	Motor - Pump (Cab)	1
538306	Nut - Motor Mounting (Cab)	4
644065	Screw - Rocker Arm (Cab)	1
650146	Set Screw - Pulley (Cab)	1
652412	Screw - Shoulder (Crank Arm Roller Assembly) (Cab)	1
653042	Screw - Thumb (Cover Clamp) (Cab)	4
667896	Seal - Bumper (Piston) (Pump) (Cab)	1
717928	Switch - Pressure (Pump) (Cab)	1
762246	Check Valve - Air Line (Stainless) (Cab)	1
766058	Washer - Lock - Motor Mounting (Cab)	4
1171860	Spring - Check Valve (Pump) (Cab)	1
1171861-SV	Needle Valve w/O-Ring (Pump) (Cab)	1
1171862	Screw - Air Filter Retainer (Cab)	1
1171863	Valve Guide (Pump) (Cab)	1
1171864	O-Ring - Needle Valve (Pump) (Cab)	1
1171866	Screw - Valve Head (Cab)	5
1171867	O-Ring (Pump Cylinder Sleeve) (Cab)	1
1171868	Reed Valve (Pump) (Cab)	1
1171870	Cylinder Sleeve (Pump) (Cab)	1
1171871	Spring - Piston (Cab)	1
1171872	Piston Spring Seat (Cab)	1
1171873	Piston (Pump) (Cab)	1
1171874	Ball Bearing - Single (Pump Rocker Arm) (Cab)	1
1171955	Set Screw - Eccentric (Cab)	1
1171956	Washer - Crank Arm - Nylon (Cab)	1
1171958	Filter - Air (Pump) (Cab)	1
1171959	O-Ring (Piston) (Pump) (Cab)	1
1171978	Screw - Crank Arm (Cab)	1
1171979	Crank Arm (Cab)	1
1171980	Pulley - Large (Pump) (Cab)	1
1171981	Eccentric (Cab)	1
1171982	Knob - Crank Arm Overrun Setting (Cab)	1
1171983	Dial - Crank Arm Overrun Setting (Cab)	1
1171984	Pointer - Crank Arm Overrun Setting (Cab)	1
1171985	Dowel Pin - Rocker Arm (Cab)	1
1171986	Flange Bearing - Rocker Arm (Cab)	2
1171987	Wick - Rocker Arm (Cab)	1
1171988	Collar - Rocker Arm Dowel Pin (Cab)	1
1171989	Pulley - Small (Cab)	1
1171990	Belt (Pump) (Cab)	1
1171994	Sleeve Bearing - Crank Arm (Cab)	1
1177033	Bumper Ring (Piston) (Pump) (Cab)	1
1177034	Air Filter Retainer - Top (Cab)	1
1177035	Air Filter Retainer - Bottom (Cab)	1
1177036	Washer - Air Filter Retainer (Cab)	1
1177037	Screw - Air Filter (Cab)	1
1177681	Rocker Arm (Cab)	1
2177812	Roller Carrier Assembly Kit (Cab)	1
2183067	Pump Body Casting (Cab)	1
3171952	Cover - Clamp (Two Piece Black) (Cab)	1
4183089	Pump Assembly w/Motor	1

3.5 PUMP PARTS (CONTINUED)



3.6 SPIGOT ASSEMBLY

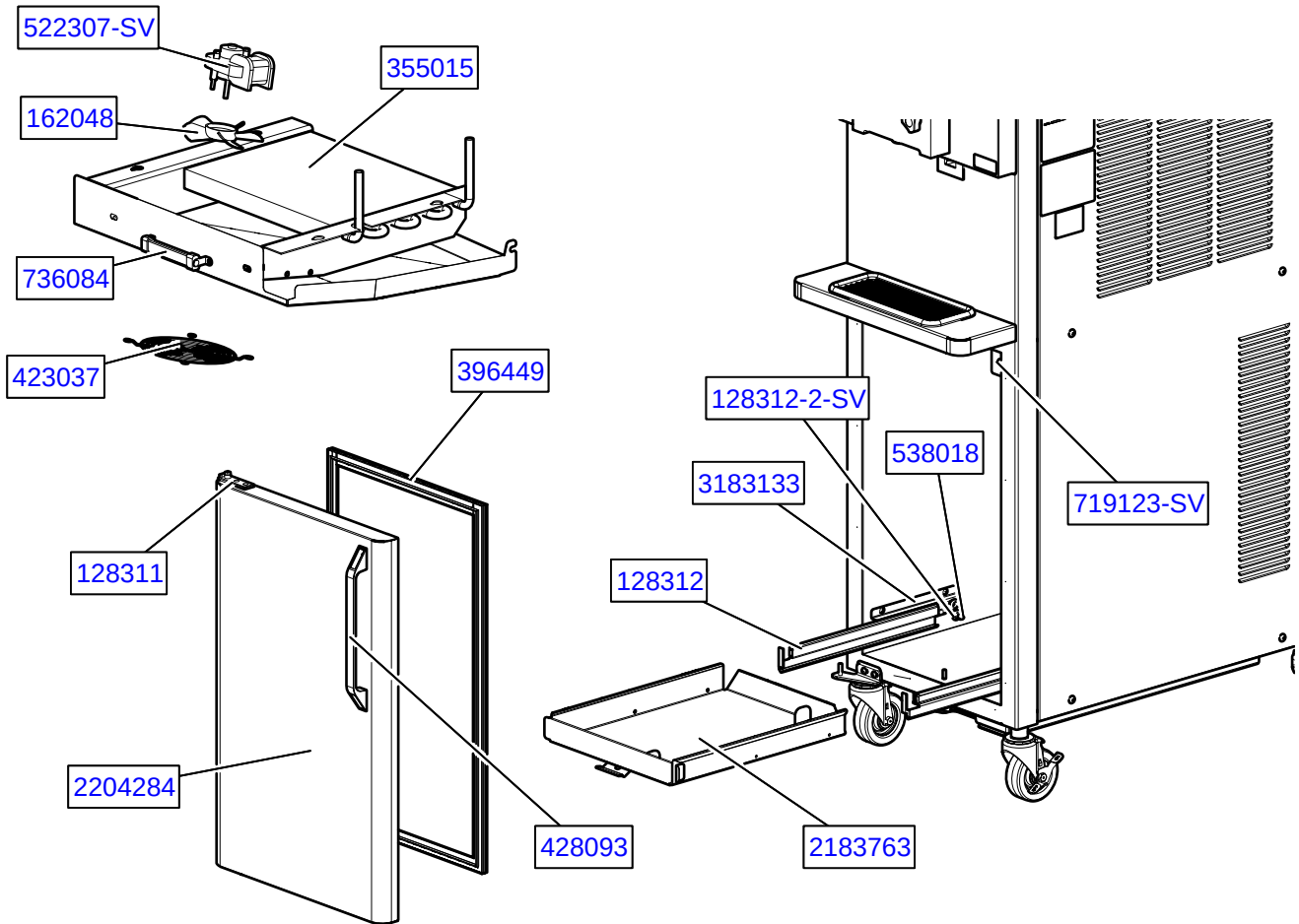


Part	Description	Quantity
428045	Knob - Spigot Handle (Black)	1
428082	Handle Assembly (General Market)	1
482039	Knob - Spigot Handle (Black)	1
539043	Nut - Spigot Adjustment	1
570961	Pin - Cotterless Clevis (Spigot Handle)	1
625440	Retaining Ring - Spigot Handle	1
694247	Spring - Cone (Spigot Cam)	1
696044	Spring - Torsion (Spigot Handle)	1
718773	Switch - Limit (Spigot)	1
1154703	Washer (Spigot Handle)	1
2158082	Glide - Spigot Socket	1
2187805	Handle - Spigot (Handle Only)	1
2204726	Bushing - Spacer (Spigot Handle)	1
2204729	Handle Only (DQ)	1
2204723	Spigot Cam	1
2204732	Cam Assembly (DQ)	1

3.7 PANELS & SCREWS

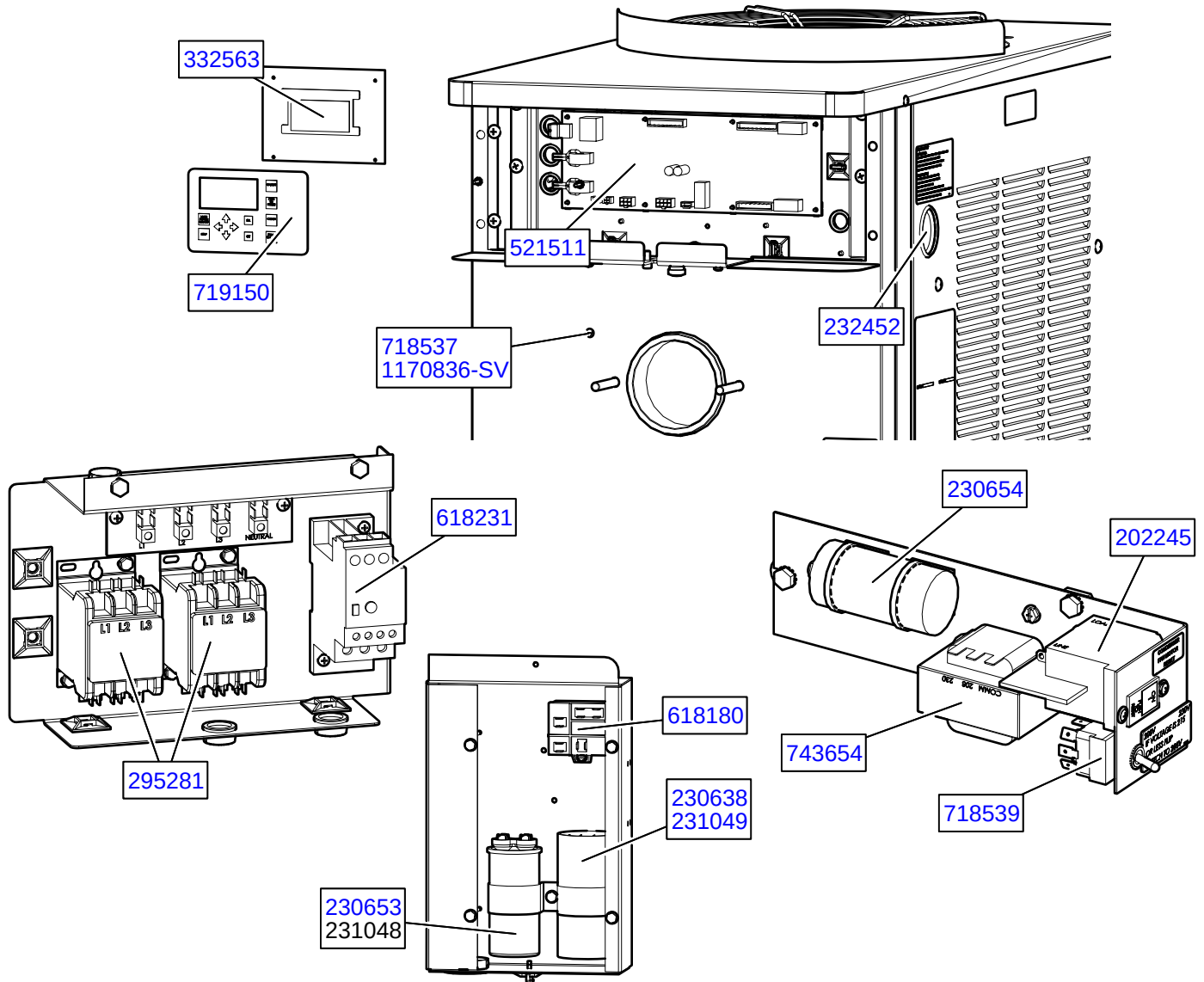
Part	Description	Quantity
584200-37	Hole Plug - L.H. Side Panel	1
647653	Screw - Panel (Top)	-
647899	Screw - Panel (Side & Rear) & Cab (Door Handle)	-
2204286	Panel - Drip Tray Support	1
2204329	Panel - Top (Air-Cooled)	1
2204339	Panel - R.H. Side	1
2204340	Panel - L.H. Side	1
2204555	Panel - Top (Water-Cooled)	1
2204635	Panel - Header	1
2204641	Panel - Rear	1

3.8 CAB COMPONENTS



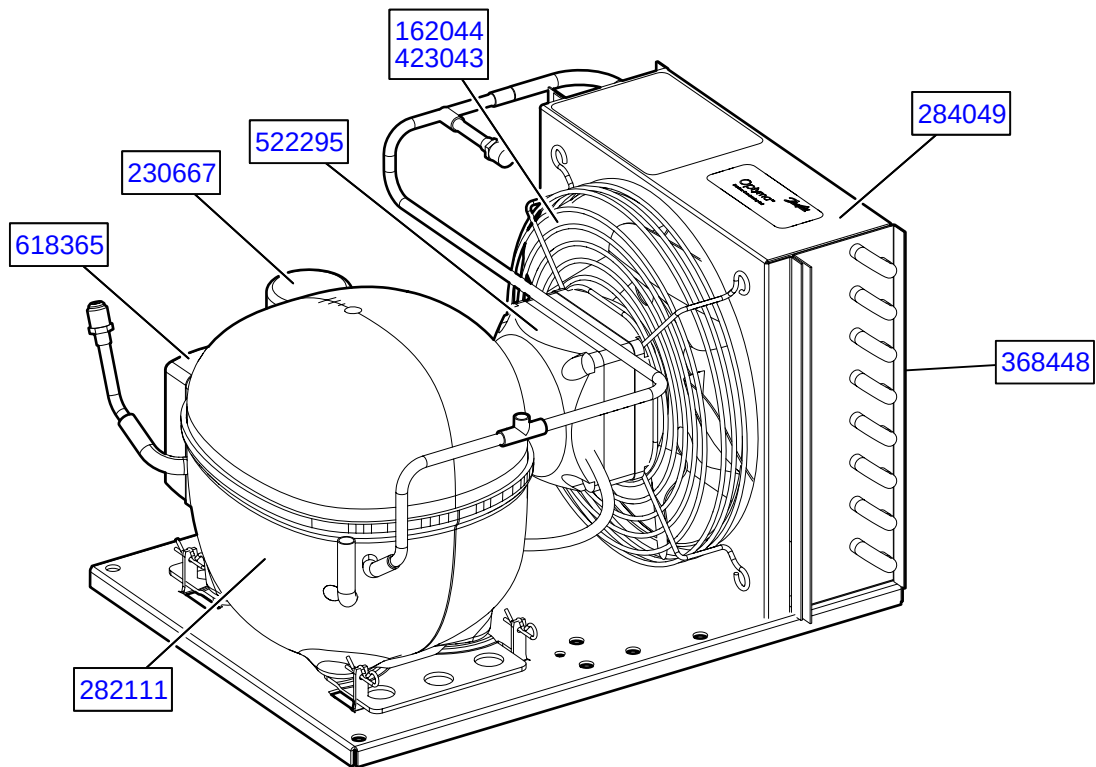
Part	Description	Quantity
128311	Hinge - Door (Top & Bottom) (Cab)	1
128312	Mix Container Holder Assembly w/Rollers (Cab)	1
128312-2-SV	Bearings (For #128312) (4 Required) (Cab)	4
162048	Blade - Fan (Evaporator) (Cab)	1
264243	Clamp - Metal (3/8" ID Tubing) (Cab)	1
266018	Clip - "J" (Hose Holder) (Cab)	1
266041	Clip - Tubing (Push-In)	2
266076	Clip - Bag In Box (Cab)	1
302045	Plug & Cord (Cab)	1
355015	Evaporator (Cab)	1
396449	Gasket - Door (Cab)	1
423037	Guard - Fan (Cab Evaporator)	1
428093	Handle - Cab Door (Cab)	1
522305	Motor - Fan (Evaporator Assembly) (50 Hz) (Cab)	1
522307-SV	Motor - Fan (Evaporator Assembly) (60 Hz) (Cab)	1
538018	Nut - Acorn (Pressure Switch) (Cab)	4
672799	Sensor - Hopper & Cab (Green)	1
719123-SV	Switch Only - Cab Door (Hamlin Reed Switch) (Cab)	1
736084	Thermometer (Cab)	1
756079	Tubing - 3/8" ID - Clear - Mix Line (25' Increments) (Per Inch) (Cab)	32"
2183763	Mix Container Drawer (Cab)	1
2204284	Door Assembly (Cab)	1
3183133	Slide Mount - Cab Sides (Cab)	1

3.9 ELECTRICAL COMPONENTS



Part	Description	Quantity
202245	Circuit Breaker	1
229148	Cable - IntelliTec2 (Control Board to Display Board)	1
230638	Capacitor - Start (#282047 & #282059 Compressors)	1
230653	Capacitor - Run (#282062 Compressor)	1
230654	Capacitor (#357096 Fan Motor)	1
231048	Capacitor - Run (#282076 Compressor)	1
231049	Capacitor - Start (#282076 Compressor)	1
232452	Plug - USB (2")	1
295281	Contactors (Compressor / Drive)	2
332563	Board - Display Module	1
521511	Board - Program - IntelliTec2	1
618180	Relay (#282116 & #282076 Compressors)	1
618231	Relay - Overload (3 PH)	1
718537	Switch - Limit - Safety (Cab)	1
718539	Switch - Toggle (208/230V) (Air-Cooled)	1
719150	Switch - Membrane Strip (Touchpad & Ribbon)	1
743654	Transformer - Booster	1
1170836-SV	Switch Assembly - Limit (Door Interlock)	1

3.10 CAB CONDENSING UNIT

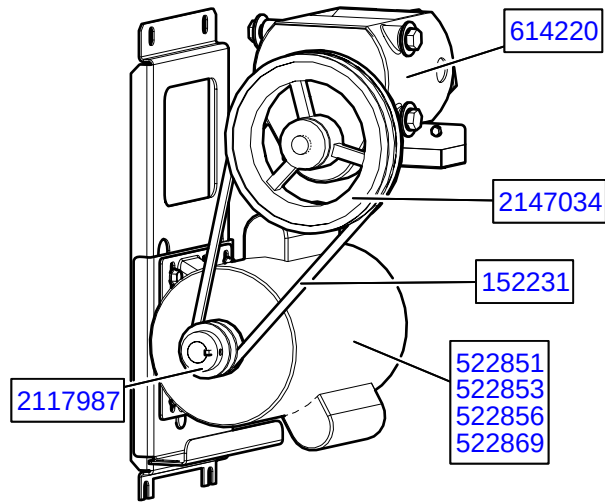


Part	Description	Quantity
162044	Blade - Fan (#285073 Condensing Unit) (Cab)	1
230667	Capacitor - Start (#285073 Condensing Unit) (Cab)	1
282111	Compressor (#285073 Condensing Unit) (Cab)	1
284049	Condenser (#285073 Condensing Unit) (Cab)	1
285073	Condensing Unit (Cab)	1
368448	Filter - Air (#285073 Condensing Unit) (Cab)	1
423043	Guard - Fan (#285073 Condensing Unit) (Cab)	1
522295	Motor - Fan (#285073 Condensing Unit) (Cab)	1
618365	Relay - Start (#285073 Condensing Unit) (Cab)	1

3.11 KITS & MISCELLANEOUS

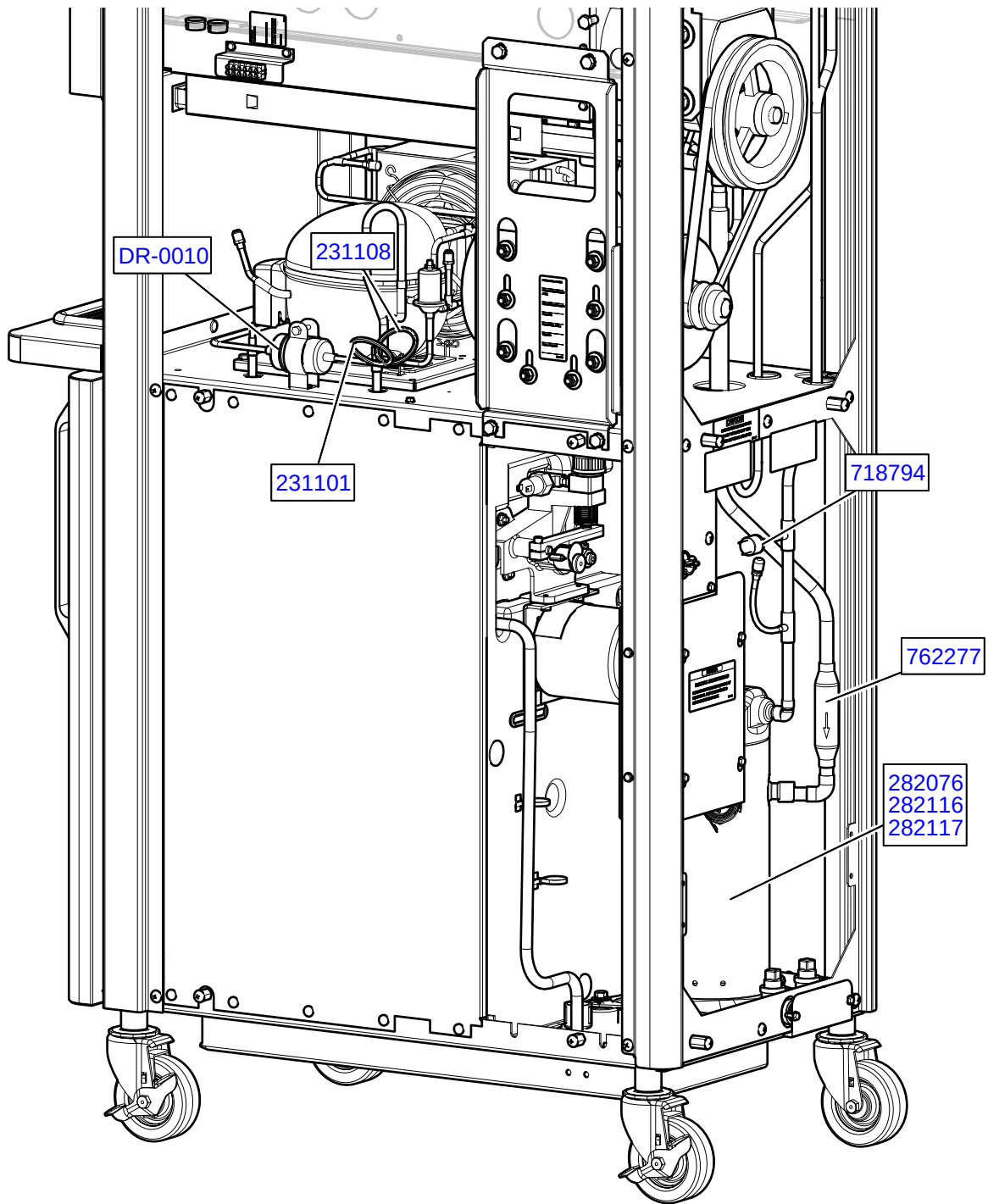
Part	Description	Quantity
236068	Card - Start-Up (IntelliTec2)	1
244138	Caster - Non-Locking (4") (Each)	2
244139	Caster - Locking (4") (Each)	2
302042	Cord - Power (1 PH, 60 Hz)	1
302043	Cord - Power (3 PH, 60 Hz)	1
764385	Valve Kit - Water Valve Repair	-
1177436	Air Compressor Kit (Reed Valve, Piston & Cylinder Sleeve) (Cab)	-
2177917	Brush Kit	-
2187066	O-Ring & Bearing Kit	-

3.12 MOTOR ASSEMBLY



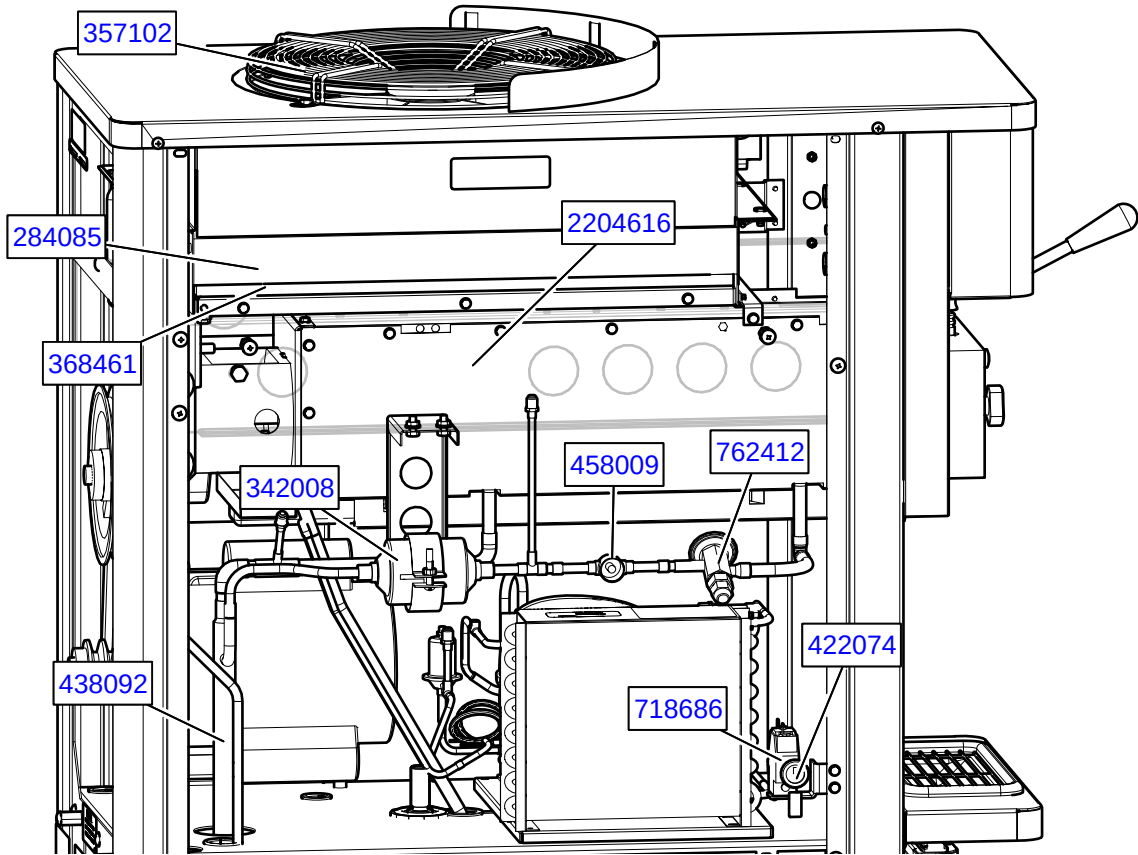
Part	Description	Quantity
152231	Belt - Gripnotch (AX32) (50/60 Hz) (2 Required)	2
522851	Motor - Drive (1 PH) (50 Hz)	1
522853	Motor - Drive (3 PH) (50 Hz)	1
522856	Motor - Drive (1 PH) (60 Hz)	1
522869	Motor - Drive (3 PH) (60 Hz)	1
614220	Speed Reducer	1
2117987	Pulley - Drive Motor	1
2147034	Pulley - Speed Reducer	1

3.13 RIGHT SIDE



Part	Description	Quantity
231101	Cap Tube Only (Mix Cooling) (Cab)	1
231108	Cap Tube Only (Cab Evaporator Inlet) (Cab)	1
762978	Valve - EPR (Cab)	1
778027	Wrench - Allen (Cab)	1
DR-0010	Drier - Filter (1/4" OD) (Cap Tube)	1
282076	Compressor - 1 PH - 50 Hz (No Capacitors)	1
282116	Compressor - 1 PH - 60 Hz (Scroll) (No Capacitors)	1
282117	Compressor - 3 PH - 60 Hz (Scroll)	1
718794	Switch - High Pressure Cutout	1
762277	Valve - Magna Check	1

3.14 LEFT SIDE



Part	Description	Quantity
284085	Condenser (Air-Cooled)	1
284104	Condenser (Water-Cooled)	1
342008	Drier	1
357102	Motor - Fan (Air-Cooled Condenser) (Includes Blade & Guard)	1
368461	Filter - Air (Condenser)	1
422074	Grommet - Rubber (High Pressure Cutout)	1
438092	Heat Exchanger	1
458009	Sight Glass	1
718686	Switch - Pressure (Manual Reset)	1
762412	Valve - Expansion (Sporlan)	1
763181	Valve - Water	1
2204616	Evaporator Assembly	1



**DOMESTIC WARRANTY
(Including Mexico)
SOFT SERVE / SHAKE EQUIPMENT**

1. **Scope:**
PW Stoelting, L.L.C. (“Stoelting”) warrants to the first user (the “Buyer”) that the freezing cylinders, hoppers, compressors, drive motors, speed reducers, and augers of Stoelting soft serve / shake equipment will be free from defects in materials and workmanship under normal use and proper maintenance appearing within five (5) years, and that all other components of such equipment manufactured by Stoelting will be free from defects in material and workmanship under normal use and proper maintenance appearing within twelve (12) months after the date that such equipment is originally installed.

2. **Disclaimer of Other Warranties:**

THIS WARRANTY IS EXCLUSIVE; AND STOELTING HEREBY DISCLAIMS ANY IMPLIED WARRANTY OF MERCHANTABILITY OR FITNESS FOR PARTICULAR PURPOSE.

3. **Remedies:**
Stoelting’s sole obligations, and Buyer’s sole remedies, for any breach of this warranty shall be the repair or (at Stoelting’s option) replacement of the affected component at Stoelting’s plant in Kiel, Wisconsin, or (again, at Stoelting’s option) refund of the purchase price of the affected equipment, and, during the first twelve (12) months of the warranty period, deinstallation/reinstallation of the affected component from/into the equipment. Those obligations/remedies are subject to the conditions that Buyer (a) signs and returns to Stoelting, upon installation, the Start-Up and Training Checklist for the affected equipment, (b) gives Stoelting prompt written notice of any claimed breach of warranty within the applicable warranty period, and (c) delivers the affected equipment to Stoelting or its designated service location, in its original packaging/crating, also within that period. Buyer shall bear the cost and risk of shipping to and from Stoelting’s plant or designated service location.

4. **Exclusions and Limitations:**
This warranty does not extend to parts, sometimes called “wear parts”, which are generally expected to deteriorate and to require replacement as equipment is used, including as examples but not intended to be limited to o-rings, auger flights, auger seals, auger support bushings, and drive belts. All such parts are sold

AS IS.

Further, Stoelting shall not be responsible to provide any remedy under this warranty with respect to any component that fails by reason of negligence, abnormal use, misuse or abuse, use with parts or equipment not manufactured or supplied by Stoelting, or damage in transit.

THE REMEDIES SET FORTH IN THIS WARRANTY SHALL BE THE SOLE LIABILITY STOELTING AND THE EXCLUSIVE REMEDY OF BUYER WITH RESPECT TO EQUIPMENT SUPPLIED BY STOELTING; AND IN NO EVENT SHALL STOELTING BE LIABLE FOR ANY INCIDENTAL OR CONSEQUENTIAL DAMAGES, WHETHER FOR BREACH OF WARRANTY OR OTHER CONTRACT BREACH, NEGLIGENCE OR OTHER TORT, OR ON ANY STRICT LIABILITY THEORY.