

ProXES
your processing partner

STEPHAN.

WE ARE PROXES.

**Operating Instructions
and
Replacement Parts Manual**

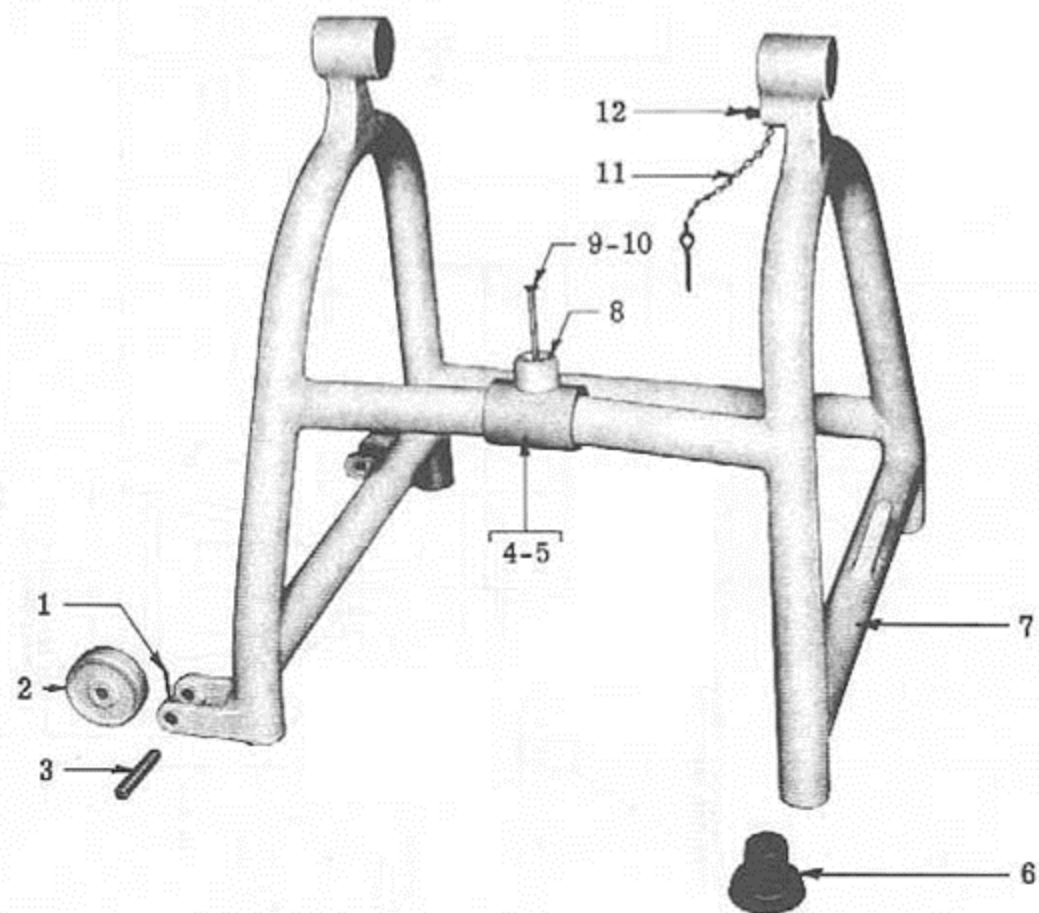
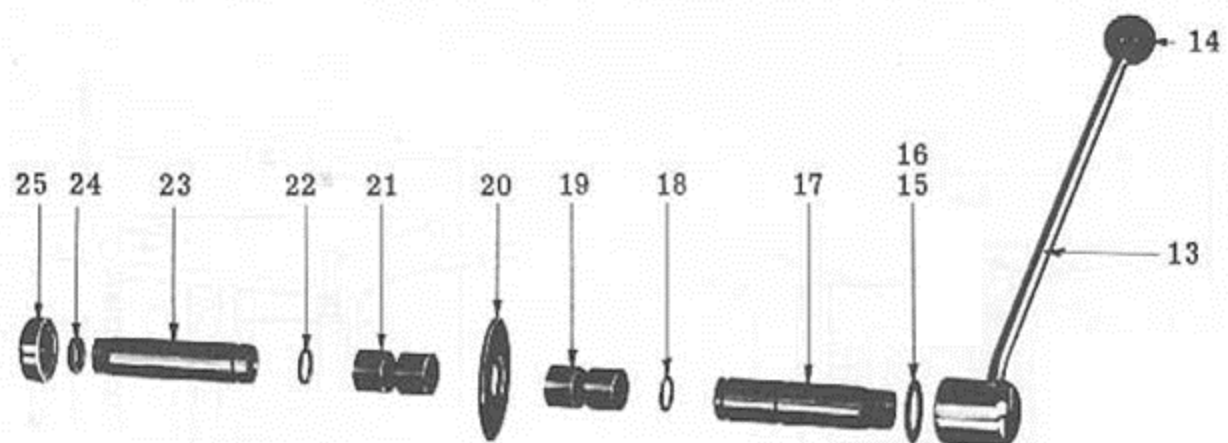
VCM 25 / 40



ProXES Inc. – Stephan Divison

1385 ARMOUR BLVD

MUNDELEIN, IL 60060 PHONE 847-247-0182 FAX
847-247-0184

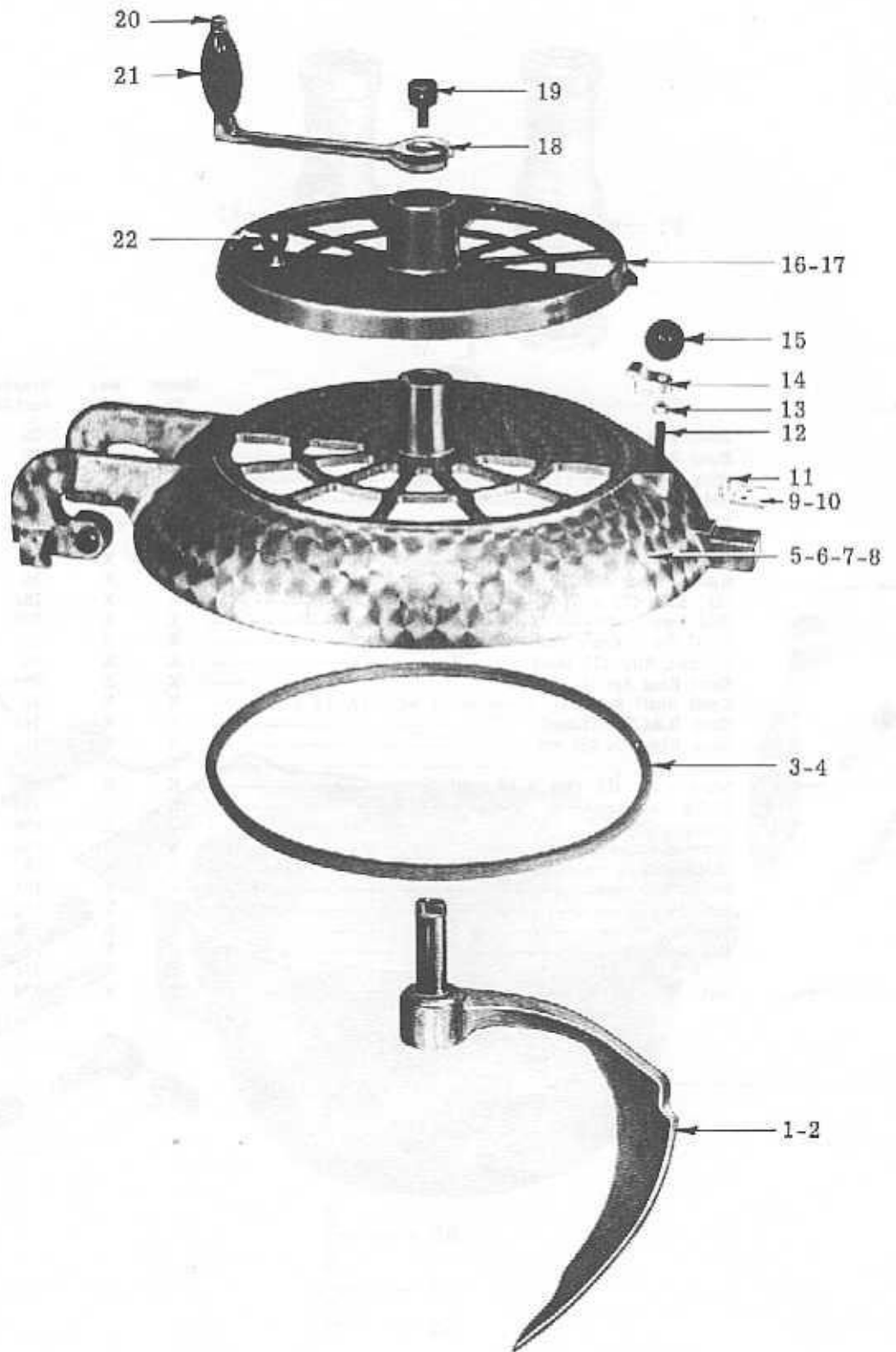


Chassis Unit

CHASSIS UNIT

ILLUS. #	STEPHAN PART DESCRIPTION	VCM 25	VCM 40
1	Cyl. Grooved Dowel Pin	0144	0144
2	Nylon Wheel (uses 2)	0142	0142
3	Bolt for the Wheel (12 x 55)	0143	0143
4-5	Bowl Bumper (need p/n 6710 screw)	NLA	NLA
6	Rubber Foot (uses 4)	0141	0141
7	Chassis	NLA	NLA
8	Rubber Bumper	NLA	NLA
9	Phillips head screw M6 x 60mm	6710	6710
10	Washer 6 mm	7001	7001
11	Lock Pin with Chain	0140	0140
12	Square Head Bolt M10 x 20mm	7038	7038
13	Bowl Lock Handle/Lever	0161	0161
14	Knob for handle	1512	1512
15	Shim Washer 1.0mm thick	0159	0159
16	Shim Washer 2.0mm thick	0160	0160
17	Bowl Swivel Bearing –right hand	0157	0157
18	O-ring	0158	0158
19	Bushing – Oilite –right hand	0154	0154
20	Disc – positioning	0155	0155
21	Bushing – Oilite –left hand	0154	0154
22	O-ring	0158	0158
23	Bowl Swivel Bearing –left hand	0153	0153
24	O-ring	0152	0152
25	Cable Sleeve	0149	0149

25/40 Replacement Parts



Bowl Cover Unit

Replacement Parts 25/40

BOWL COVER UNIT

ILLUS #	STEPHAN PART DESCRIPTION	VCM 25	VCM 40
1 & 2	Mixing Baffle	NLA	NLA
3 & 4	Gasket for lid/cover (Silicone)	0202	0203
5 & 6	Cover for Bowl	NLA	NLA
7 & 8	Cover for Bowl w/o insp. Opening	NLA	NLA
9	Lock Plate	0212	0212
10	Shim for Lock Plate	7013	7013
11	Screw – Flat Head M6 x 15mm	7014	7014
12	Stud M10 x 55	7015	7015
13	Nut Hex M10	7010	7010
14	Retainer for Sight Cover	0213	0213
15	Knob for Sight Cover	1512	1512
16 & 17	Sight Cover	NLA	0215
18	Crank Handle	0220	0220
19	Retaining Screw for crank	0221	0221
20	Acorn Nut M8 for knob on crank handle	0219	0219
21	Handle (knob) for crank handle -	0218	0218
22	Knob for Sight Cover	0217	0217

NEW STYLE BOWL SEAL EXECUTION

25/40 Replacement Parts



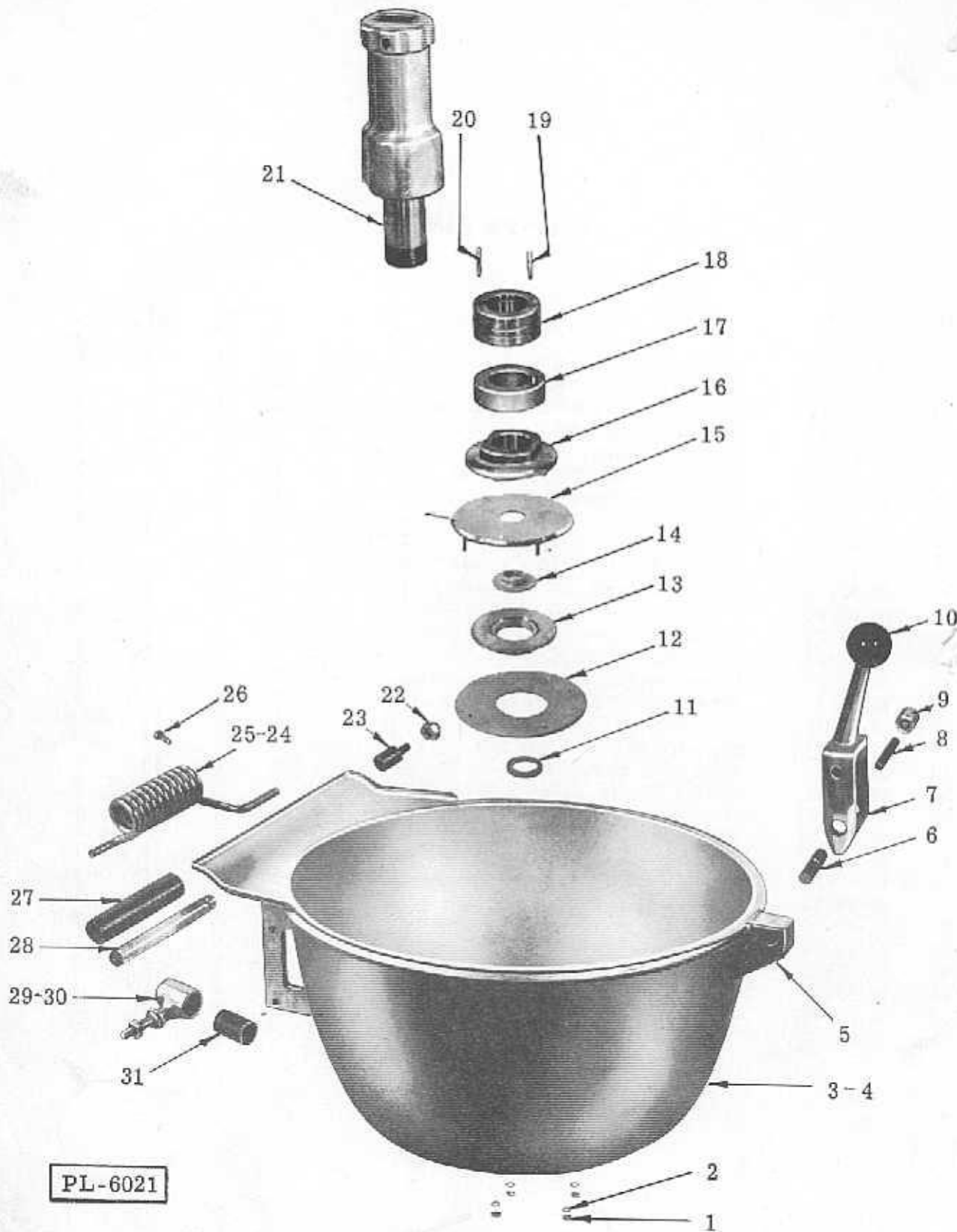
Bowl Unit

Replacement Parts 25/40

NEW STYLE BOWL UNIT

ILLUS. #	STEPHAN PART DESCRIPTION	VCM 25	VCM 40
1	Bowl W/ adapter	NLA	NLA
2	Bowl W/ adapter	NLA	NLA
3	Wing Bolt M6 x 15	0175	0175
4	Bolt for the locking handle	0174	0174
5	Locking Handle	0176	0176
6	Pin	7004	7004
7	Roller	0177	0177
8	Knob for locking handle	1512	1512
9	O-ring 75x5	0181	0181
10	Bowl Seal Assembly with O-ring	3kp000-23	3kp000-23
11	Wing Nut	6837	6837
12	Pressure Ring	0187	0187
13	Slant Ring Set with Pins	0189	0189
14	Knife Shaft Subassembly	each item sold separate	
15	Pin - Long	0191	0191
16	Pin - Short	0190	0190
17	Knife Shaft	NLA	0193
18	Flathead Screw M6 x 10mm	7005	7005
19-20	Torsion Spring for cover	0168	0168
21	Sleeve for hinge shaft	0167	0167
22	Hinge bolt/shaft	0166	0166
23	Holder Bumper	0171	0171
24	Spacer	7007	7007
25	Bumper for bowl	NLA	NLA
26	Threaded Pin	0178	0178
27	Lock Washer 10.2	7009	7009
28	Hex Nut M10	7010	7010

25/40 VCM REPLACEMENT PARTS



PL-6021

BOWL UNIT

Replacement Parts 25/40**BOWL UNIT**

ILLUS. #	STEPHAN PART DESCRIPTION	VCM 25	VCM 40
1	Hexagon nut	7197	7197
2	Flat washer	7198	7198
3	Bowl VCM 25	NLA	na
4	Bowl VCM 40	na	NLA
5		NLA	NLA
6	Bolt for locking lever	0174	0174
7	Locking lever	0176	0176
8	Grooved pin	7004	7004
9	Roller	0177	0177
10	Knob	1512	1512
11	Oil seal	0162	0162
12	Rubber Gasket	0163	0163
13	Retainer plate f. oil seal	0164	0164
14	Cap gasket	0165	0165
15	Holding plate	0179	0179
16	Wing nut	6837	6837
17	Pressure ring w. pin	2241	2241
18	Slant ring set w. pins	0189	0189
19	Short pin	0190	0190
20	Long pin	0191	0191
21	S.S. Knife shaft	6826	6826
22	Acorn nut	0219	0219
23	Holder for cover spring	NLA	NLA
24-25	Lid spring	0168	0168
26	Counter-sunk screw	7005	7005
27	Sleeve for cover spring	0167	0167
28	Cover hinge bolt	0166	0166
29	Holder for buffer VCM 25	NLA	NLA
30	Holder for buffer VCM 40	Na	0171
31	Buffer	NLA	NLA

Installation Instructions For Shaft Seal Assembly

1. Disconnect unit from electrical power supply.
2. Remove knife shaft assembly.
3. Use seal spanner wrench (Fig. 1) to remove existing seal. Make sure bowl threads and seal areas are cleaned and free of any foreign material.
4. Prepare new seal (1, Fig. 2) for installation by using the Dow Corning #111 compound from seal kit. First cover the exposed area of the "O" ring (2, Fig. 2 and 3, Fig. 3) with the compound. Next use this sealing compound to fill the seal cavity (2, Fig. 3). Now place a film of the lubricant on the lip of the seal (1, Fig. 3).
5. Inspect shaft sleeve (4, Fig. 3) for wear-grooves or a build up of foreign material. Clean or replace if necessary, apply a coat of #111 grease to the entire surface of the sleeve.
6. Assemble the new seal hand-tight. Be extremely careful not to damage seal when sliding the seal onto the motor shaft and also make sure the seal and bowl threads are properly aligned.
7. Tighten new seal with the spanner wrench (Fig. 1).

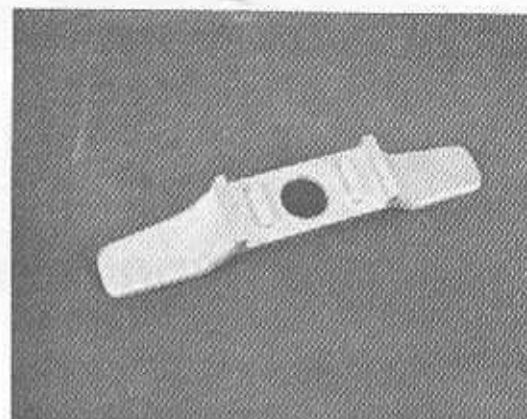


Fig. 1

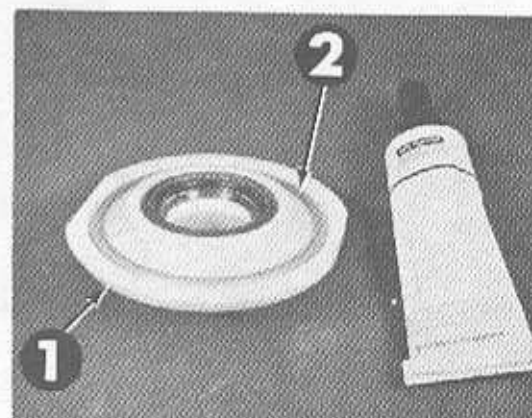


Fig. 2

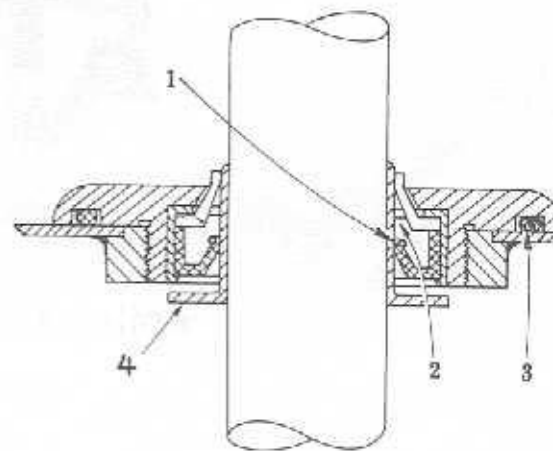
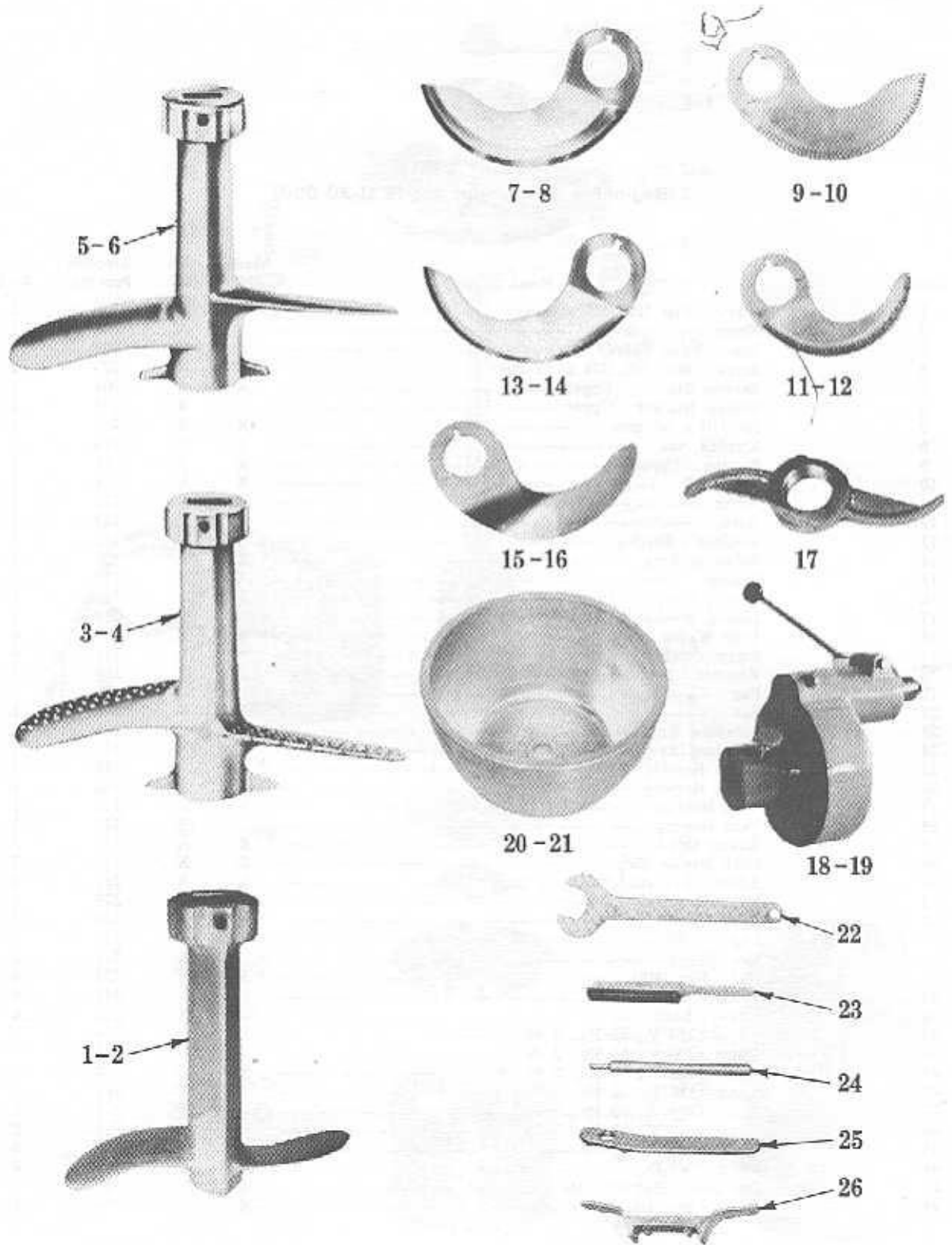


Fig. 3



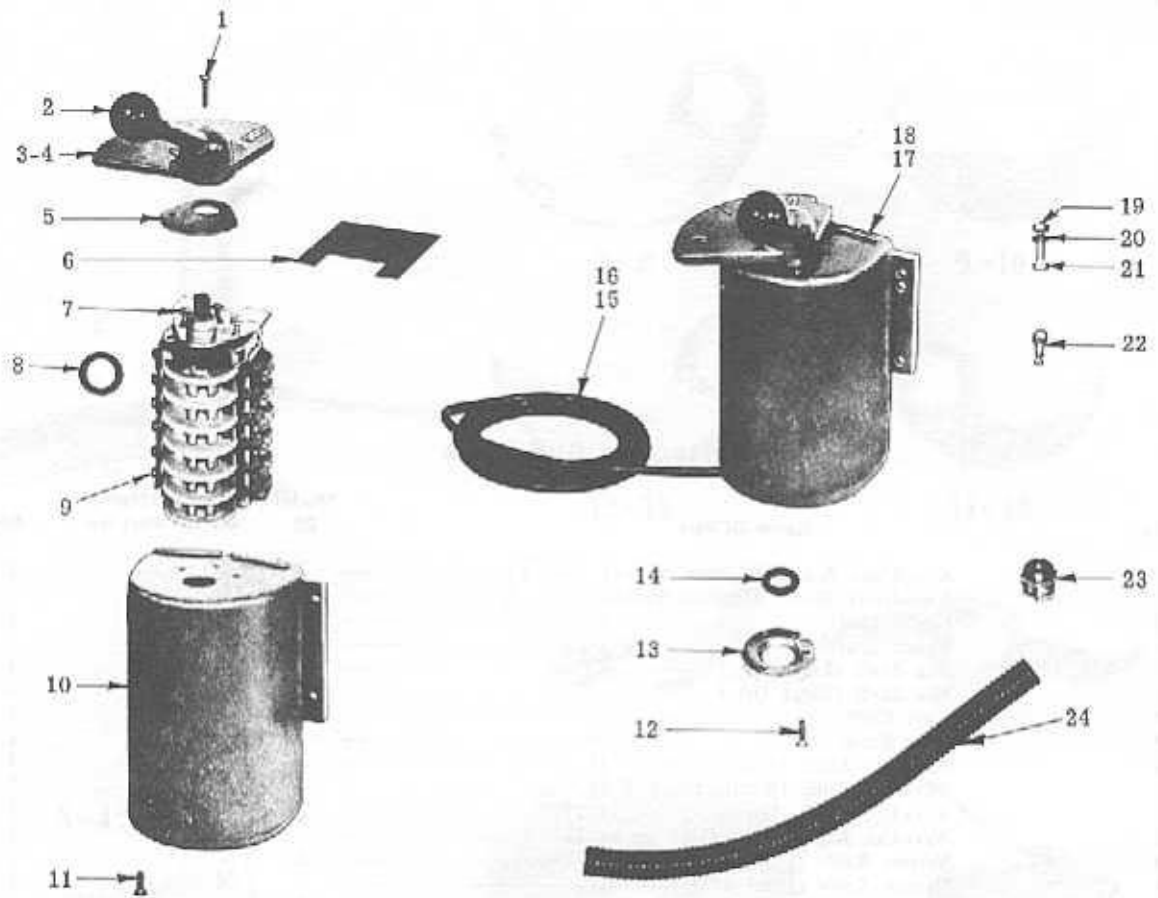
Accessories And Tools

Replacement Parts 25/40

ACCESSORIES & TOOLS

ILLUS. #	STEPHAN PART DESCRIPTION	VCM 25	VCM 40
1	Knead / Mix Shaft	NLA	
2	Knead / Mix Shaft		0377
3	Grater Shaft	0308	
4	Grater Shaft		0309
5	Mix Shaft –Large Qty	0310	
6	Mix Shaft –Large Qty		0312
7	Set of 2 wide knives	0295	
8	Set of 2 wide knives		0296
9	Set of 2 (Wide) Wave Cut Knives	0299	
10	Set of 2 (Wide) Wave Cut Knives		0300
11	Set of 2 (Wide) Narrow Cut Knives	0301	
12	Set of 2 (Wide) Narrow Cut Knives		0302
13	Set of 2 narrow knives	0297	
14	Set of 2 narrow knives		0298
15	Set of 2 low angle knives	0303	
16	Set of 2 low angle knives		0304
17	Winged Nut Accessory	0185	0185
18	Attach. Power Unit	NLA	
19	Attach. Power Unit		0318
20	Strainer Basket	NLA	
21	Strainer Basket		NLA
22	Wrench for Knife Shaft	0238	0238
23	Sharpening Tool	0237	0237
24	Peg Wrench (takes off nut on mixing baffle)	0234	0234
25	Spanner Wrench for knurled nut	0236	0236
26	Spanner Wrench for bowl seal	0182	0182

25/40 Replacement Parts



Switch Unit

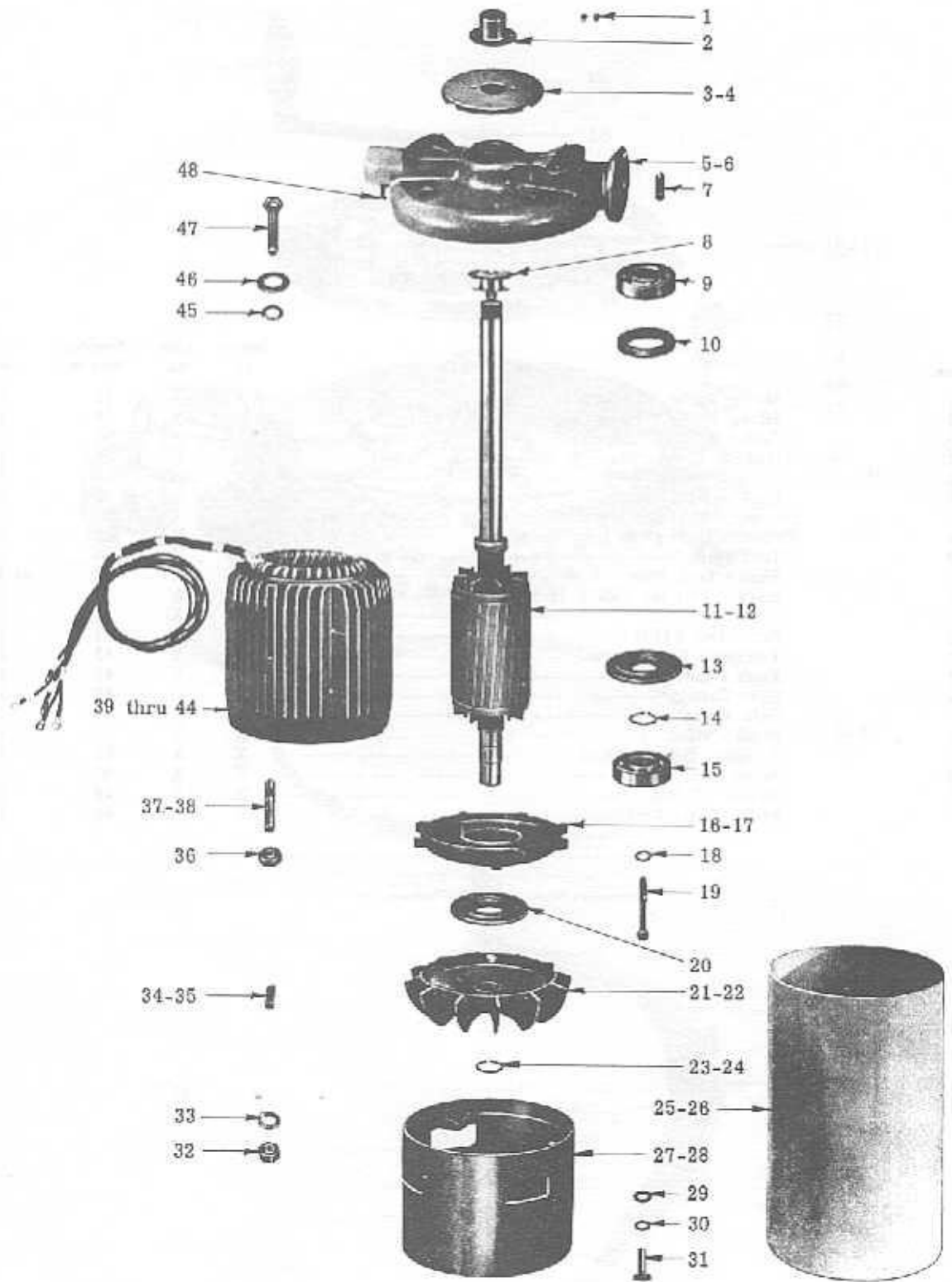
Illus.	Name Of Part	Model 25	Use 40	Stephan Part No.	Amt.
1	Retaining Screw - Hex Hd. (M6 x 25 mm)	X	X	62d	1
2	Knob - Switch Handle	X	X	61	1
3	Switch Handle (3 Position)	-	X	62	1
4	Switch Handle (3 Position)	X	-	62	1
5	Gasket - Switch	X	X	59	1
6	Insulator (460 V.)	X	X	58a	1
7	Screw (M6 x 10 mm)	X	X	-	3
8	Seal	X	X	62b	1
9	Drum Switch	X	X	58	1
10	Switch Housing	X	X	57	1
11	Screw (M6 x 15 mm)	X	X	57a	1
12	Bolt - Hex Hd. (M6 x 20 mm)	X	X	62g	3
13	Seal Disc - Cord	X	X	62e	1
14	"O" Ring	X	X	62f	1
15	Cord	X	X	56	1
16	Plug - Hubbel "Twist Lock"	X	X	-	1
17	Switch Housing Sub-Assy. (Incls. items #1, 2, 3, 5, 6, 7, 8, 9, 10, 11, 12, 13, 14 & 23)	X	-	55	1
18	Switch Housing Sub-Assy. (Incls. items #1, 2, 4, 5, 6, 7, 8, 9, 10, 11, 12, 13, 14 & 23)	-	X	55	1
19	Nut - Hex (M8)	X	X	62i	As Reqd.
20	Washer (M8)	X	X	62m	As Reqd.
21	Bolt - Hex Hd. (M8 x 35 mm)	X	X	62n	As Reqd.
22	Grd. Lug - Cord	X	X	62o	1
23	Fitting - Cord	X	X	62h	1
24	Armored Cable	X	X	62j	1
	Clamp for Cord (Not Shown)	X	X	-	1

Replacement Parts 25/40

SWITCH UNIT

ILLUS. #	STEPHAN PART DESCRIPTION	VCM 25	VCM 40
1	Hex. Head M6 x 25mm Retaining Screw	7517	7517
2	Knob for switch handle	1512	1512
3&4	Switch Handle	0228	0228
5	Rubber Gasket for Switch	0226	0226
6	Insulator 460 V, pertinax plate	0225	0225
7	Screw M6 x 10mm	7085	7085
8	Oil Seal	0229	0229
9	Drum Switch	0224	0224
10	Switch Housing	0223	0223
11	Screw M6 x 15mm	7086	7086
12	Hex Head Bolt M6 x 20mm	7087	7087
13	Seal Disc – Cord -cable sealing disc only for VCM	0230	0230
14	O-ring	0152	0152
15	Cord (Power cord is an 8gg 10-4 gauge wire s/o cable)	NLA	NLA
16	Plug – Hubbel “Twist Lock”	NLA	NLA
17	Switch Housing Subassembly	Each part sold separate	
18	Switch Housing Subassembly	Each part sold separate	
19	Hex Nut M8	7031	7031
20	Washer M8	7034	7034
21	Hex Head Bolt M8 x 35mm	7093	7093
22	Grd. Lug- Cord	NLA	NLA
23	Fitting for Cord -cable glant with tension relief	0232	0232
24	Armored Cable - protective hose	0222	0222
25	Clamp for Cord (not shown)	7095	7095

25/40 Replacement Parts



Motor Unit
(Beginning With Serial No. 76 U-20 000)

Replacement Parts 25/40

MOTOR UNIT

ILLUS. #	STEPHAN PART DESCRIPTION	VCM 25	VCM 40
1	Flathead screw M5 x 8mm	7023	7023
2	Shaft Sleeve	0265	0265
3	Water Spin Off Disc w/ screw	0264	0264
4	Socket head screw M6 x 25mm	7022	7022
5	Bearing Upper Bracket	0267	
6	Bearing Upper Bracket		0268
7	Pin 10 x 60mm	0262	0262
8	Knurled Nut	0260	0260
9	Upper Bearing – newer style/sealed	6226	6226
	Upper Bearing – old style / needs oil seal	6109	6109
10	Oil Seal for old style bearing	6175	6175
11	Rotor	0269	
12	Rotor FD 132 s 25-2/4		0270
13	Retainer Bearing	0277	0277
14	Retaining Ring	0278	0278
15	Lower Bearing	6085	6085
16	Lower Bearing Bracket	0279	
17	Lower Bearing Bracket		0280
18	Lock Washer	7026	7026
19	Hexagon Head Screw M5 x 45mm	7027	7027
20	Retainer - bearing	0277	0277
21	Fan	0286	
22	Fan		0287
23	Retaining Ring	0288	0288
24	Retaining Ring	0278	0278

Continued On Next Page...

MOTOR UNIT (cont'd)

ILLUS. #	STEPHAN PART DESCRIPTION	VCM 25	VCM 40
25	Motor Housing	0292	
26	Motor Housing - FD 112 / FD 132		0241/0293
27	Vent Housing	0290	
28	Vent Housing		0291
29	Washer M6.4	2657	2657
30	Lock Washer B6	7029	7029
31	Hexagon Head Screw M6 x 15mm	7086	7086
32	Hexagon Nut M8	7031	7031
33	Lock Washer B8	7034	7034
34	Key	0284	
35	Key		0285
36	Hexagon Nut	7033	7033
37	Screw - Lock	0283	
38	Screw - Lock	0283	
39	Stator 230 Volt, 60 Hz, 3 Phase	0272	
40	Stator 200 Volt, 60 Hz, 3 Phase	0271	
41	Stator 460 Volt, 60 Hz, 3 Phase	0273	
42	Stator 230 Volt, 60 Hz, 3 Phase		0275
43	Stator 200 Volt, 60 Hz, 3 Phase		0274
44	Stator 460 Volt, 60 Hz, 3 Phase		0276
45	Lock Washer B8	2034	2034
46	Washer M8.4	7035	7035
47	Hexagon Head Bolt M8 x 60mm	7036	7036
48	Hexagon Head M8 x 20mm	7037	7037



Replacement Parts 25/40

RECOMMENDED SPARE PARTS LIST

The following are parts that are recommended by Stephan Machinery, to be in your stock in case of

emergency or preventative maintenance repair.

DESCRIPTIONS
<i>Preventative maintenance / change every 6 months</i>
Bowl Seal Assembly # 0180 –if old style, see Bowl Unit page
Huskey Lube – food grade or high temperature grease
* Spanner wrench to remove new style bowl seal # 0182 (see spare tools)
<i>Spare Tools</i>
Holding Pin to remove mixing baffle # 0234
Spanner with pivots to remove knurled nut # 0236
Spanner wrench to remove new style bowl seal assembly # 0182
Wrench to remove knife shaft - part #0238
<i>Other Recommended Spare Parts or Items:</i>
Set of standard knives # 0298
Shaft Sleeve # 0265
Set of two screws for shaft sleeve # 7023
Silicone lid gasket # 0203
Extra Manual for your VCM 25 / 40
Drum Switch # 0224
Drum switch seals # 0226 and 0229

For Parts & Service Call:
(877) 247-0183
SERVICE.USA@PROXES.COM