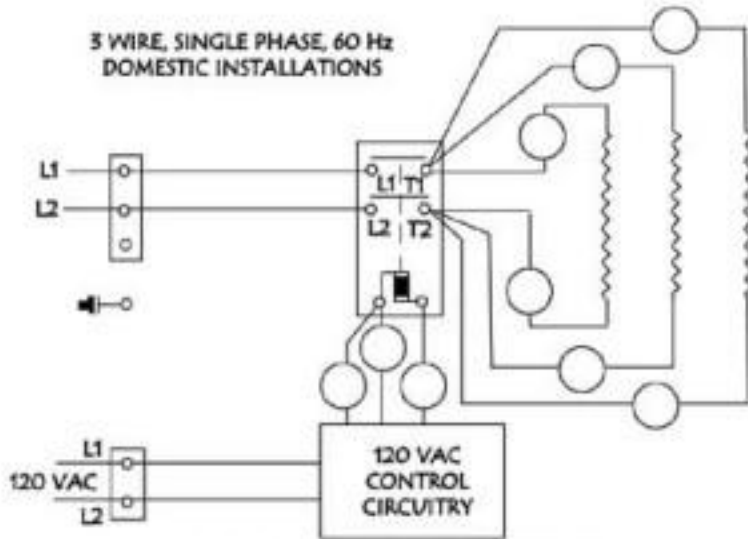


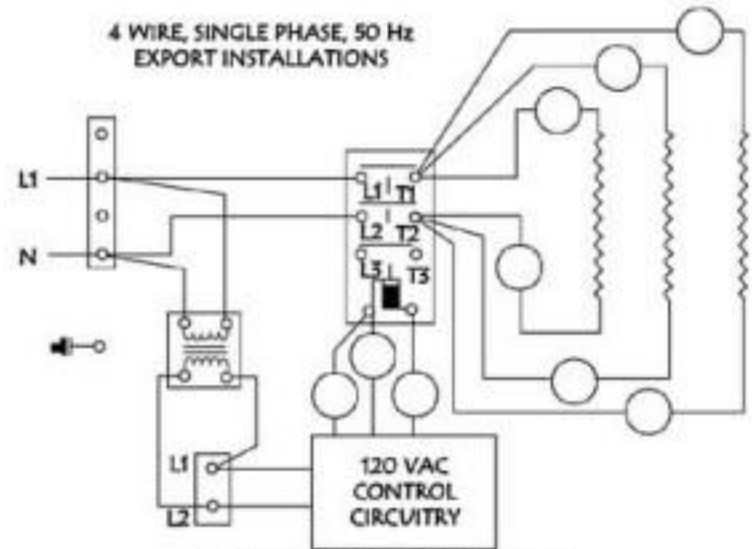
3 WIRE, SINGLE PHASE, 60 Hz
DOMESTIC INSTALLATIONS



SINGLE PHASE ELECTRICAL RATINGS

VOLTS	WATTS	AMPS	HEATER P/N
208	18KW	87	08-6485
240	18KE	75	08-6486

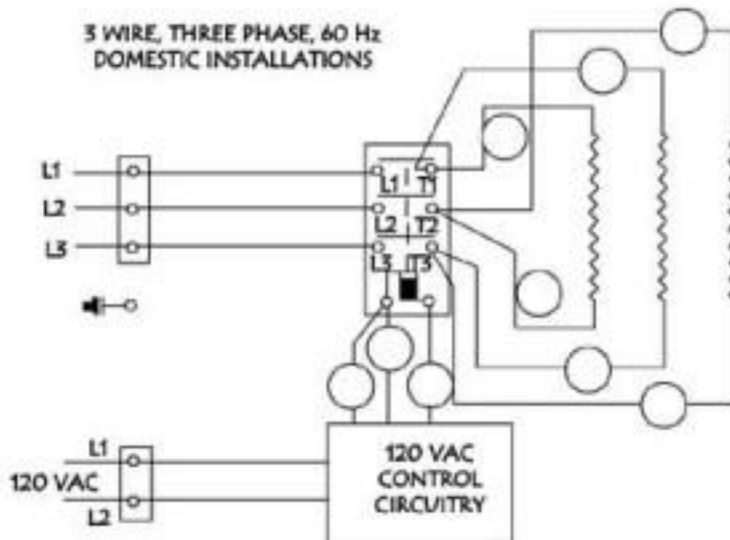
4 WIRE, SINGLE PHASE, 50 Hz
EXPORT INSTALLATIONS



SINGLE PHASE ELECTRICAL RATINGS

VOLTS	WATTS	AMPS	HEATER P/N	TRANSFORMER P/N
220/380	15.1KW	69	08-6486	08-6543
240/418	18.0KW	75	08-6486	08-6543

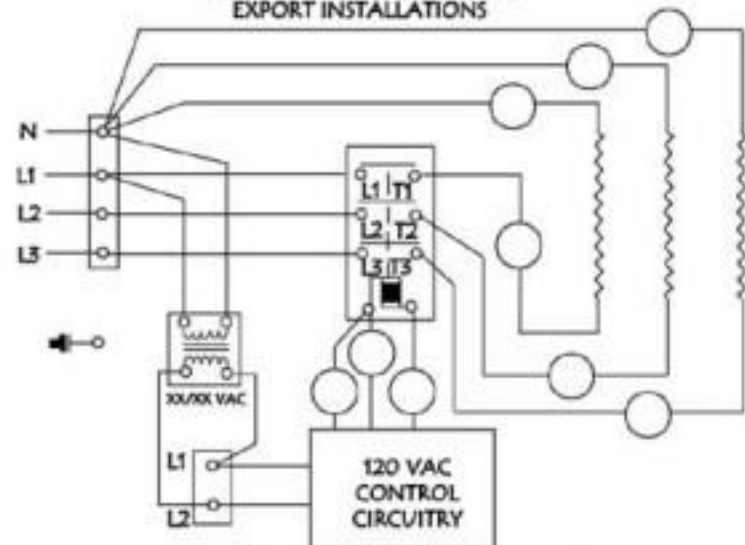
3 WIRE, THREE PHASE, 60 Hz
DOMESTIC INSTALLATIONS



THREE PHASE ELECTRICAL RATINGS

VOLTS	WATTS	AMPS	HEATER P/N
208	18KW	50	08-6485
240	18KW	43	08-6486
480	18KW	22	08-6487

4 WIRE, SINGLE PHASE, 50 Hz
EXPORT INSTALLATIONS



THREE PHASE ELECTRICAL RATINGS

VOLTS	WATTS	AMPS	HEATER P/N	TRANSFORMER P/N
220/380	15.1KW	69	08-6486	08-6543
240/418	18.0KW	75	08-6486	08-6543

