



Quality Refrigeration

# OWNER'S MANUAL

**Instructions for the installation, operation  
and maintenance of Traulsen:**

Door and Drawer Models

Compact Undercounter Refrigerators and Freezers: 27", 32", 48" and 60"

Compact Prep Tables UPT and UST Series: 27", 32", 48" and 60"



This Traulsen unit is built to our highest quality standards. We build our refrigerators this way as a matter of pride. This philosophy has made Traulsen the leader in commercial refrigeration since 1938. We thank you for your choice and confidence in Traulsen equipment and we know you will receive many years of utility from this equipment.

All Traulsen units are placed on a permanent record file with the service department. In the event of any future questions you may have, please refer to the model and serial number found on the name tag affixed to the unit. Should you need service, call us on our toll free number, 800-825-8220 between 7:30 am - 4:30 pm CST, Monday thru Friday. You may also log onto [www.traulsen.com](http://www.traulsen.com) for further information. It is our pleasure to help and assist you in every possible way.

### INSTALLER

COMPLETE THE FOLLOWING INFORMATION PRIOR TO UNIT INSTALLATION

INITIAL START DATE: \_\_\_\_\_ SERIAL NO. \_\_\_\_\_

MODEL TYPE: \_\_\_\_\_

COMPANY/INDIVIDUAL NAME: \_\_\_\_\_

INSTALLER: \_\_\_\_\_

# TABLE OF CONTENTS

## I. THE SERIAL TAG

a-Reading The Serial Tag Page 1

## II. RECEIPT INSPECTION

Page 2

## III. INSTALLATION

a-Location Page 2

b-Packaging Page 2

c-Installing/Adjusting Legs or Casters Page 2

d-Shelf Clips For Door Models Page 3

e-Cord & Plug Page 3

f-Power Supply Page 3

g-Clearance Page 3

h-Cuttingboard Assembly Page 3

i-Installing The Stainless Steel Top Page 4

## IV. OPERATION

a-Prestart Checks Page 4

b-Temperature Control Page 4

c-Defrost Control Page 4

d-Refrigerating Product Page 5

e-Pans & Divider Bars Page 5

f-Divider Bars For Drawers Page 5

## V. CARE & MAINTENANCE

a-Cleaning The Exterior Page 5

b-Cleaning The Interior Page 5

c-Cleaning The Condenser Coil Page 6

d-Condensate Removal System Care Page 6

## VI. MISC. OPERATIONS

a-Rehinging The Door Page 6

b-Preparing For Extended Shut Down Page 6

c-Adjusting The Door Page 6

d-Door & Drawer Gasket Replacement Page 7

## VII. TROUBLE SHOOTING GUIDE

Page 7

## VIII. SERVICE ASSISTANCE

a-Service Information Page 8

b-Service Support Information Page 8

c-Warranty Registration Page 8

## IX. WARRANTIES

Page 9

## X. SERVICE PARTS LIST




Page 10-11

## I. THE SERIAL TAG

The serial tag is a permanently affixed label on which is recorded vital electrical and refrigeration data about your Traulsen product, as well as the model and serial number. This tag is located in the right interior compartment on all standard models.

### I. a - READING THE SERIAL TAG:

- Serial = The permanent ID# of your Traulsen unit
- Model = The model # of your Traulsen unit
- Volts = Voltage
- Hz = Cycle
- PH = Phase
- Total Current = Maximum amp draw
- Minimum Circuit = Minimum circuit ampacity
- Lights = Light wattage
- Heaters = Heater amperage (Hot Food units only)
- Refrigerant = Refrigerant type used and refrigerant charge
- Design Pressure = High & low side operating pressures
- Agency Labels = Designates agency listings

				
FORT WORTH, TX.				
SERIAL	MODEL			
VOLTS	Hz		PH	
TOTAL CURRENT	AMPS			
MINIMUM CIRCUIT	AMPS			
MAXIMUM OVERCURRENT PROTECTION			AMPS	
LIGHTS	WATTS			
HEATERS	AMPS			
REFRIGERANT		TYPE		OZ
DESIGN PRESSURE	HIGH		LOW	
REFRIGERANT		TYPE		OZ
DESIGN PRESSURE	HIGH		LOW	
370-60294-00 REV (A)				
				
COMMERCIAL REFRIGERATION				

## II. RECEIPT INSPECTION

All Traulsen products are factory tested for performance and are free from defects when shipped. The utmost care has been taken in crating this product to protect against damage in transit.

You should carefully inspect your unit for damage during delivery. If damage is detected, you should save all the crating materials and make note on the carrier's Bill Of Lading describing the damage. A freight claim should be filed immediately. If damage is subsequently noted during or immediately after installation, contact our customer care team to file a freight claim. There is a fifteen (15) day limit to file freight damage with the carrier. Under no condition may a damaged unit be returned to Traulsen without first obtaining written permission (return authorization). You may contact Hobart/Traulsen customer care at 800-333-7447 to request a return or file a claim.

## III. INSTALLATION

### III. a - LOCATION:

Select a proper location for your unit, away from extreme heat or cold. Allow enough clearance between the unit and the side wall in order to make use of the stay open feature at 120° (self-closing feature operates up to 90°). The door(s) must be able to open a minimum of 90° in order to make use of the maximum clear door width.

**NOTE: Do not install the cabinet without legs, casters or front ventilated utility base.**

### III. b - PACKAGING:

All Traulsen units are shipped from the factory bolted to a sturdy wooden pallet and packaged in a durable cardboard container. The carton is attached to the wooden skid with the use of large staples. These should first be removed to avoid scratching the unit when lifting off the crate.

To remove the wooden pallet, first if at all possible, we suggest that the cabinet remain bolted to the pallet during all transportation to the point of final installation. The bolts can then be removed with a 5/8" socket wrench by tipping or otherwise raising the unit to allow access to them. Avoid laying the unit on its front, side or back for removal of the pallet.

**NOTE: Traulsen does not recommend laying the unit down on its front, side or back. However, if you must please be certain to allow the unit to remain in an upright position afterwards for 24 hours before plugging it in so that the compressor oils and refrigerant may settle.**

### III. c - INSTALLING/ADJUSTING LEGS OR CASTERS:

6" High legs are supplied standard for all Traulsen compact undercounter and prep table units. These are shipped from the factory inside a cardboard box which is secured inside the cabinet. Casters in lieu of legs are supplied as an optional accessory for all compact undercounter and prep table models.

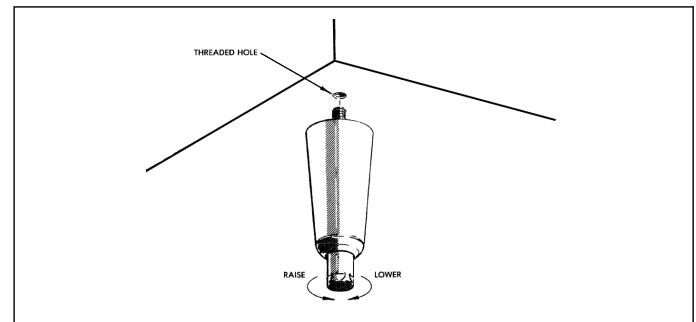
## III. INSTALLATION (CONTINUED)

### III. c - INSTALLING/ADJUSTING LEGS OR CASTERS: (continued)

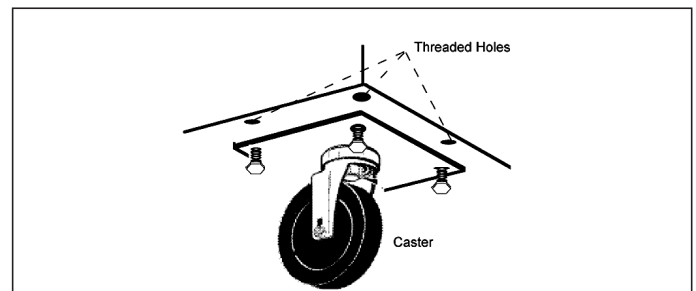
The casters are "stem" type, and do not require the use of any bolts. When ordered casters are shipped in a separate box.

**WARNING: THE CABINET MUST BE BLOCKED AND STABLE BEFORE INSTALLING LEGS OR CASTERS.**

Raise up and block the cabinet a minimum of 7" from the floor and thread the legs into the threaded holes on the bottom of the cabinet's.



Thread optional casters into the threaded holes on the bottom of the cabinet in the same way. Casters with brakes should be installed at the front.



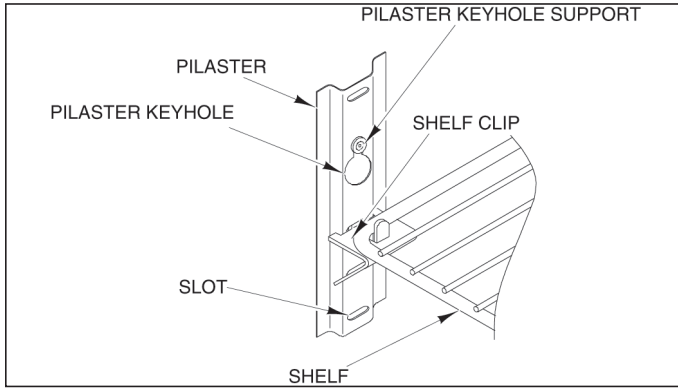
Level the cabinet using a level or pan of water in the bottom of the cabinet. On units with legs, turn the adjustable feet in or out to level the cabinet side-to-side and front-to-back. Units with casters should be placed on level floors.

**NOTE: Traulsen units are not designed to be moved while on legs. If the unit requires moving, a pallet jack or forklift should be used to prevent damage.**

### III. INSTALLATION (continued)

#### III. d - SHELF CLIPS FOR DOOR MODELS:

Shelves and shelf clips are shipped with the unit. For each shelf, insert four (4) shelf clips into the pilaster slots at the same height. The shelf clips have a small projection on top which holds the shelf position and prevents it from slipping forwards. After installing shelf clips on pilasters, place shelves on clips.



#### III. e - CORD & PLUG:

All UHT, ULT, UPT & UST models are supplied with a cord and plug attached. It is shipped coiled at the bottom of the cabinet, secured by a nylon strip. For your safety and protection, all units supplied with a cord and plug include a special three-prong grounding plug on the service cord. Select only a dedicated electrical outlet with grounding plug for power source.

**NOTE: Do not under any circumstances, cut or remove the round grounding prong from the plug, or use an extension cord.**

#### III. f - POWER SUPPLY:

The supply voltage should be checked prior to connection to be certain that proper voltage for the cabinet wiring is available (refer to the serial tag to determine correct unit voltage, see page 1). Make connections in accordance with local electrical codes. Use qualified electricians.

Use of a separate, dedicated circuit is required. Size wiring to handle indicated load and provide necessary over current protector in circuit (see amperage requirements on the unit's serial tag).

#### III. g - CLEARANCE:

It is important for the proper operation and longevity of your Traulsen unit that it have adequate provisions underneath for air supply to the compressor. There are no clearance requirements for the sides, rear or top.

**NOTE: Do not install the cabinet without legs, casters or a front ventilated utility base.**

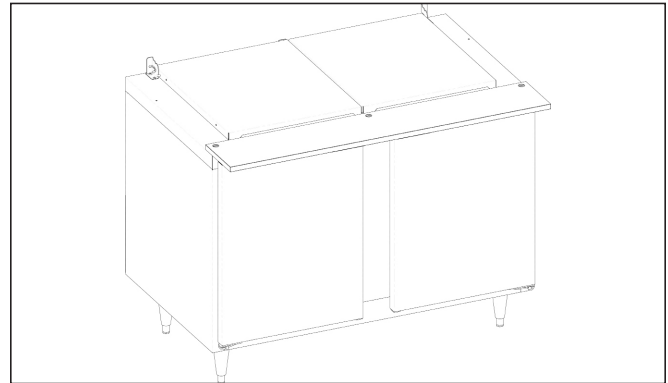
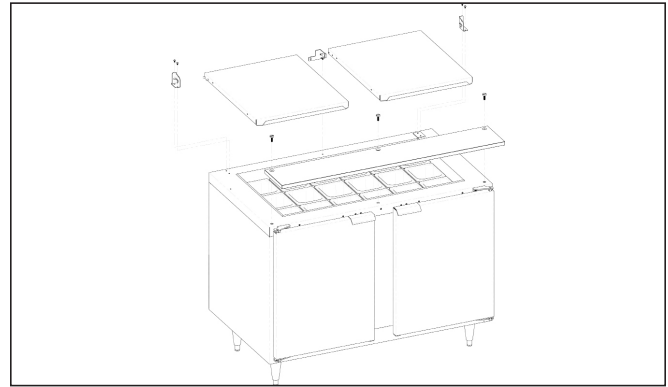
### III. INSTALLATION (continued)

#### III. h - CUTTING BOARD ASSEMBLY-UPT/UST:

On sandwich prep tables, the cutting board may require assembly at the site.

Place cutting board on cabinet, properly align & install three screws to secure in place. The cutting board is field reversible, reverse process to reverse cutting board.

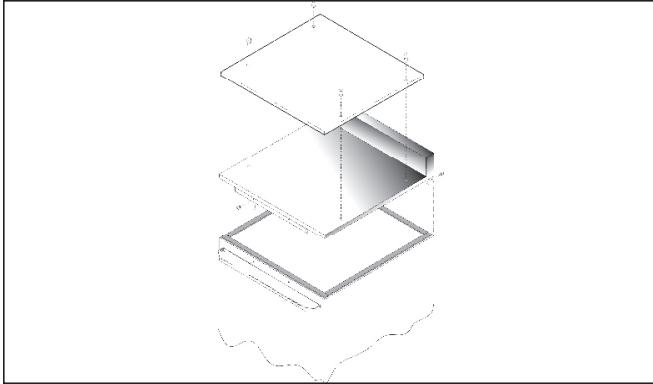
**Note: The lid(s)/cover(s) are installed at the factory. No assembly required.**



### III. INSTALLATION (continued)

#### III. i - INSTALLING THE STAINLESS STEEL TOP-UHT:

All 27", 32, 48, and 60" wide compact undercounter models can be supplied with an optional stainless steel top. This must be installed on-site, to do so please follow the directions below.



1. Peel Off backing and install foam tape (provided) around entire perimeter of the top of the unit.
2. A flange is assembled underneath at the front of the counter top. This flange has two screw holes. Screw the two 1/4-20x5/8" screws (provided through the holes in this front flange into the threaded holes in the front of the top edge of the unit.
3. Using the five 10-16x1/2" screws provided, screw the bottom of the rear cover plate to the upper rear of the cabinet.
4. If the optional polyethylene cutting board top is provided, there are four threaded pins which screw into the four threaded holes in the work top. The four holes in the polyethylene cutting board top fit around the heads of the four pins.

### IV. OPERATION

#### IV. a - PRESTART CHECKS:

The compressor must float freely before connecting to electrical power. The compressor motor is provided with rubber vibration isolator mounts (no springs). No bolts need to be loosened. Check all exposed refrigeration lines to make sure they are not dented or kinked. Check for tubing shifts due to shipping that would cause operating noise, wear, or leaks. Check that condenser fan rotates freely.

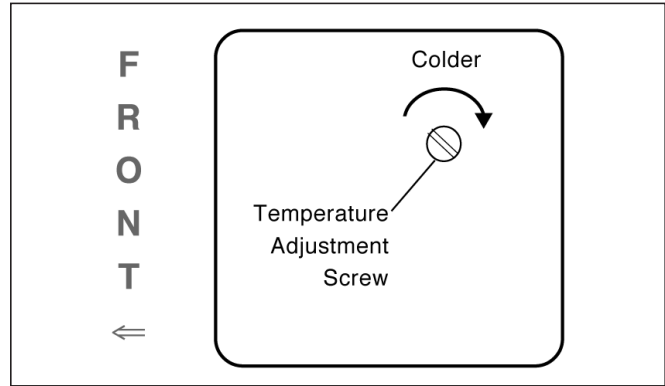
The refrigeration system should be checked for proper operation before product is stored in the cabinet.

### IV. OPERATION (continued)

#### IV. b - TEMPERATURE CONTROL:

The temperature is set at the factory but local conditions may necessitate slight adjustment.

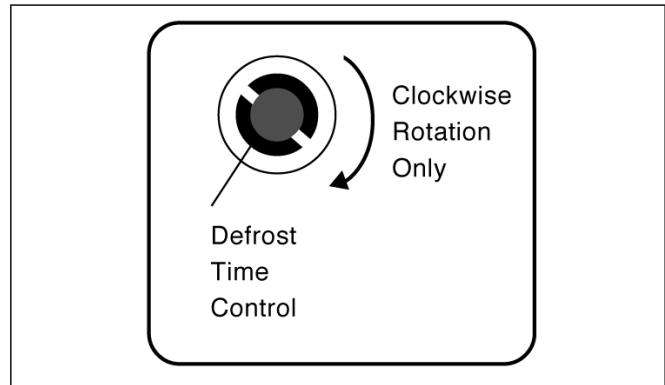
The temperature control shown in below is located on the front side of the evaporator housing. To adjust, turn the adjustment screw with a screwdriver a small amount at a time; turning clockwise lowers the temperature. An "OFF" position is fully counterclockwise and interrupts power to the compressor and condenser fan only, not the entire refrigerator.



ULT32 freezer model is equipped with a knob that has a number ranging from 0 to 9. Turning the knob clockwise lowers the temperature, turning the knob counterclockwise raises the temperature. 0 is the "OFF" position. The temperature range of adjustments is -5 to 5 F degrees.

#### IV. c - DEFROST CONTROL:

Frozen food storage cabinets are equipped with a defrost timer that provides a 20 minute defrost cycle every 6 hours (four defrost cycles per day).



## IV. OPERATION (continued)

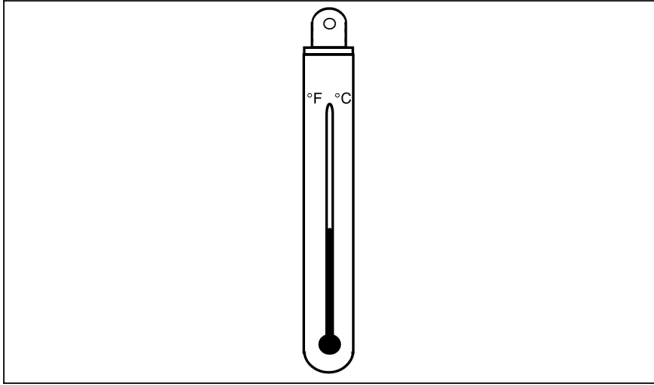
### IV. c - DEFROST CONTROL: (continued)

This control can be adjusted to set when the next defrost cycle will start. To adjust the defrost time control, use a coin on the outside slot in the rim of the timer and turn clockwise until the compressor turns off. Continue turning coin clockwise until the compressor restarts. The next defrost cycle will start in about 5 hours 40 minutes. On all models ULT27, ULT48 and ULT60, the defrost time control is located on the front side of the evaporator housing, behind the temperature control adjustment screw. On earlier models ULT48 and ULT60, the defrost time control was accessed through a small round opening on the outside rear of the unit.

ULT32 freezer model requires no adjustment. The defrost occurs every 4 hours. It is time initiated and temperature terminated with a time safety backup.

### IV. d - REFRIGERATING PRODUCT:

A thermometer is provided inside all UHT, ULT, UPT & UST models. Allow the cabinet to reach normal operating temperature before loading.



UHT, ULT, UPT & UST Series will satisfactorily refrigerate an assorted load of food items. Allow space between articles to permit free air circulation. Do not overload at any one time with warm food products and expect immediate results. A certain amount of time is required to remove heat from items before operating temperatures can be attained. The system is designed for storage of refrigerated or frozen product.

Opening the door or drawer will increase the temperature in the cabinet and will require a certain amount of time to recover. Also after peak service periods or after warm product is loaded the refrigerator will require a certain amount of time for the temperature to return to the normal operating range.

### IV. e - PANS & DIVIDER BARS-TOP RAIL:

Sandwich Prep models are provided with 1/6 size plastic pans and metal divider bars. When 18 one sixth size pans are ordered, four standard and one wide pan divider/supports are provided to achieve appropriate pan separation. When 24 one-sixth size pans are ordered, six standard and one wide pan divider bars are provided to achieve appropriate pan separation. All other arrangements use all standard width pan divider bars.

## IV. OPERATION (continued)

### IV. f - DIVIDER BARS-DRAWERS:

Drawer models are provided with metal divider bars standard. All 27" wide models are supplied with 2 bars, 32" wide models are supplied with 2 narrow bars and 1 wide bar and 60" wide models are supplied with 2 bars and 1 hook divider bar, per drawer.

## V. CARE AND MAINTENANCE

### V. a - CLEANING THE EXTERIOR:

Exterior stainless steel should be cleaned with warm water, mild soap and a soft cloth. Apply with a dampened cloth and wipe in the direction of the metal grain.

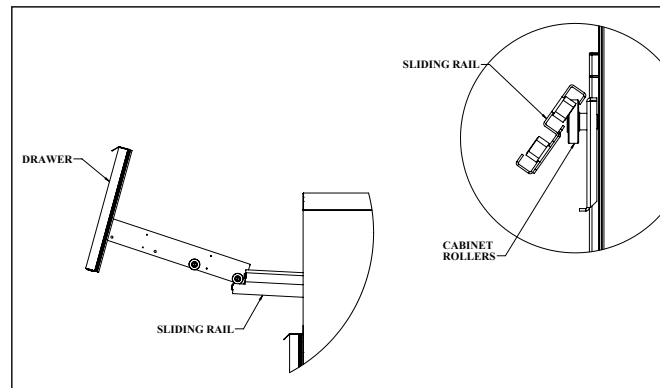
Avoid the use of strong detergents and gritty, abrasive cleaners as they may tend to mar and scratch the surface. Do NOT use cleaners containing chlorine, this may promote corrosion of the stainless steel.

### V. b - CLEANING THE INTERIOR:

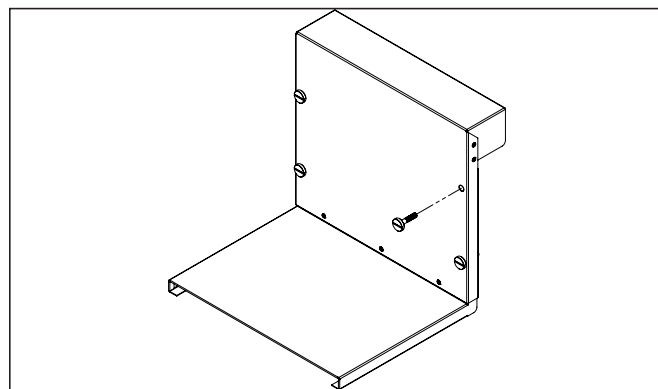
For cleaning the interior, the use of baking soda as described in section V. a is recommended. Use on breaker strips as well as door and drawer gaskets.

All door models interior fittings are removable without tools to facilitate cleaning.

Depending on the level of cleaning, drawer models interior fittings may require a tool to facilitate cleaning. The drawer frame may be removed without tools by simply pulling out and upward. For deeper cleaning the back panel shown in the bubble drawing will require a Phillips screwdriver to be removed.



For additional deeper cleaning you may also remove the air duct by removing the thumb screws and rotating them in counter clockwise motion.



## V. CARE AND MAINTENANCE (continued)

### V. c - CLEANING THE CONDENSER COIL:

Check the condenser coil periodically. The operating environment will affect the required frequency of cleaning. Air must be able to freely circulate through the condenser. This surface must be kept free of dirt and grease for proper system operation. Remove the lower rear panel on the rear of the equipment cabinet. Carefully clean dirt and lint from the condenser coil using a vacuum cleaner or soft brush; do not use a wire brush. Replace the lower rear panel. Reconnect electrical power supply.

### V. d - CONDENSATE REMOVAL SYSTEM CARE:

The evaporator coil, condensate loop and condensate pan, when needed, can all be flushed with fresh water by a qualified service technician. This should be part of any routine maintenance program and can prolong the life of the equipment.

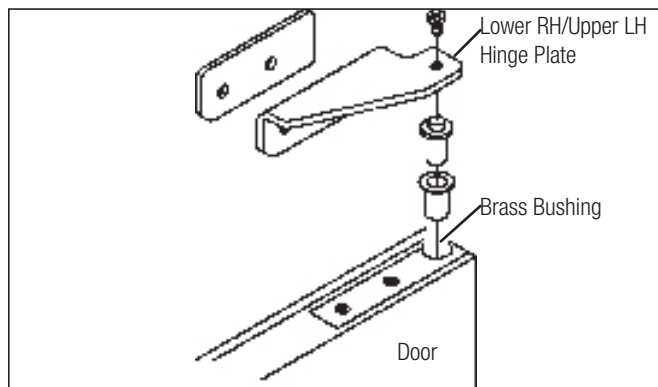
Condensate removal is provided by evaporation at the lower rear portion of the equipment cabinet and does not need a drain. Periodic cleaning of the condensate removal box, remove the lower panel at the rear of the equipment cabinet. Clean the condensate removal box by wiping it out with a clean damp cloth, using care with the condensate loop inside. Replace the lower rear panel. Reconnect electrical power supply.

**WARNING: DISCONNECT ELECTRICAL POWER SUPPLY BEFORE CLEANING ANY PARTS OF THE UNIT.**

## VI. MISC. OPERATIONS

### VI. a - REHINGING THE DOOR:

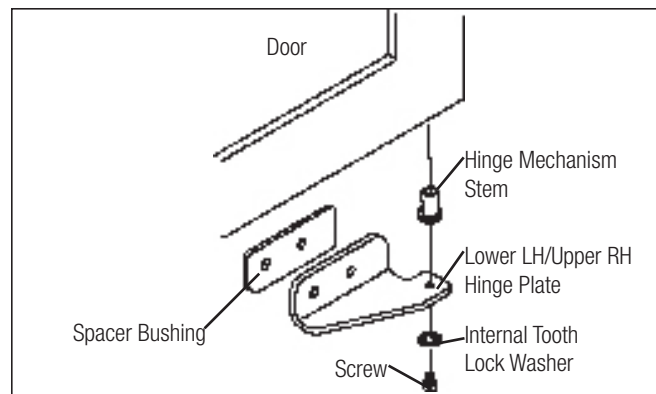
The door(s) on all UHT, ULT, UPT & UST models can be easily rehung in the field. To begin, open the door to its maximum position. Support the non-hinged end of the door so minimum movement occurs when the bolts from the lower hinge plate are removed. Remove the lower hinge plate and then the door from the top hinge bracket. The hinge plate pin and plastic bushing will remain in the top hinge plate.



Lay the door down on a padded flat surface while being careful not to allow the lower hinge plate and mechanism stem to slide out the bottom of the door.

**NOTE:** The lower hinge plate is under spring tension. Grasp the lower hinge plate while keeping a firm grip on the plate, carefully slide it out the bottom of the door just far enough to allow the plate to rotate a full 360°. Unwind the tension of the spring by carefully allowing the hinge plate to rotate a full 360° several times.

## VI. MISC. OPERATIONS (continued)



Slide the hinge plate and hinge mechanism stem out the bottom of the door.

### VI. b - PREPARING FOR EXTENDED SHUT DOWN:

**NOTE:** Remove the brass bushing from the bottom of the door only if spring replacement is necessary. Both the spring and bushing will need to be new parts.

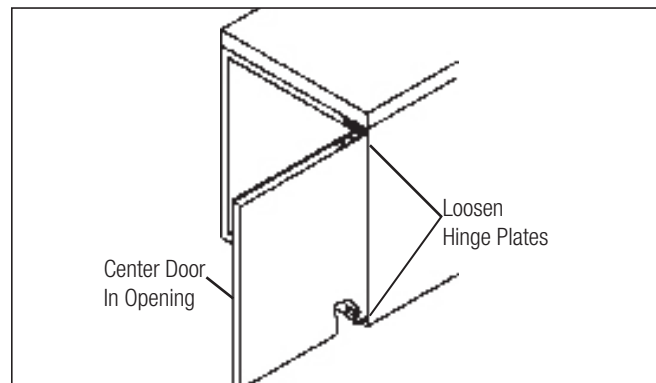
**NOTE:** When installing, make sure the lower hinge plate and hinge mechanism stem are rotated no more than six (6) full turns while applying tension to the spring.

To reinstall the door, position the lower hinge plate into the position of being open 90° to the cabinet. Place the top hinge plate pin in the hole in the top of the door and support the other end of the door for minimal movement. Start the bolts in the lower hinge plate and tighten the bolts enough to hold the door in place. Remove the block from under the end of the door. Adjust the door.

If the refrigerator is not to be used for an extended period of time, disconnect the electrical power supply and open the doors. As soon as the cabinet has warmed up to room temperature, wipe out the interior. Leave the doors open and check again to make sure that no moisture has collected on any parts. To restart refrigerator, follow instructions under PRESTART CHECKS and OPERATION.

### VI. c - ADJUSTING THE DOOR:

Occasionally the door(s) may require alignment adjustment. To do so, first open the door and loosen the hinge plate screws enough to move the hinges if desired, but the door is held in place. Center the door in the opening. Next level the top hinge plate and tighten the screws. Finally, level the lower hinge plate and tighten the screws.



## VI. MISC. OPERATIONS (continued)

### VI. d - DOOR & DRAWER GASKET(S) REPLACEMENT:

Remove the old gasket by pulling it out from the gasket retainer. Next, install the four corners of the new gasket by pushing straight in on the gasket until it is hooked behind the gasket retainer. Be careful not to stretch the gasket as it will not return to its original length. Starting at the center of one edge, push the gasket straight in until it is hooked behind the gasket retainer. Proceeding from this point out to the corners, continue pushing the gasket straight into the gasket retainer. Proceed doing the same to each of the remaining edges until the gasket is completely installed.

## VII. TROUBLE SHOOTING GUIDE

PROBLEM	POSSIBLE SOLUTION
1. Condensing unit fails to start.	a. Check if cord & plug has been disconnected. b. Check thermostat temperature setting.
2. Condensing unit operates for prolonged periods or continuously.	a. Are doors or drawers closed properly? b. Dirty condenser or filter. Clean properly. c. Evaporator coils iced. Needs to defrost.
3. Food Compartment is too warm.	a. Check door(s) or drawers and gasket(s) for proper seal. b. Check if a large quantity of warm food was recently added or the door or drawer was kept open for a long period of time. Allow adequate time for the cabinet to recover its normal operating temperature. c. Thermostat setting to high. Readjust per instructions. d. Check that condensing coil is clean.
4. Food Compartment is too cold.	a. Check if a large quantity of very cold or frozen food has recently been added. Allow adequate time for the cabinet to recover its normal operating temperature. b. Adjust the thermostat to a warmer setting.
5. Condensation on exterior surface.	a. Check door(s) or drawer(s) alignment and gaskets for proper seal. b. Condensation on the exterior surface of the unit is perfectly normal during periods of high humidity.
6. Compressor hums & does not start.	a. Call for service.

## VIII. SERVICE ASSISTANCE

### VIII. a - SERVICE INFORMATION:

Before calling for service, please check the following:

Is the electrical cord plugged in?

Is the fuse OK or circuit breaker on?

Clean condenser coil

Is the power switch on?

If after checking the above items and the unit is still not operating properly, please contact an authorized Traulsen service agent. You may obtain the name of a service agent from the Service Directory page of our web site: [www.traulsen.com](http://www.traulsen.com). Please note, you will be required to register for a login name and pass code to access our directory. If service is not satisfactory, please contact our in-house service department at:

**Traulsen**  
**4401 Blue Mound Road**  
**Fort Worth, TX 76106**  
**(800) 825-8220**

Traulsen reserves the right to change specifications or discontinue models without notice.

### VIII. b - SERVICE SUPPORT INFORMATION:

To purchase replacement parts or to speak to service support for Traulsen and most Hobart refrigeration units please contact our Ft. Worth facility by phone at 800-825-8220 or fax to 817-740-6748 (parts) or 817-740-6757 (service).

**Note: When calling for spare parts or service support, please make sure you have model and serial number of unit available.**

To source service support locally follow instructions below for nearest authorized service agent. Please note, you will be required to register for a login name and pass code to access our directory.

1. Log onto [www.traulsen.com](http://www.traulsen.com)
2. Select Contact Us/Dealer Directory (top right of screen)
3. Click on Service Directory tab
4. Select state by using the drop down box
5. Select Go

### VIII. c - WARRANTY REGISTRATION:

The warranties for your new Traulsen unit may be registered with us by contacting our Ft. Worth facility directly by phone at 800-825-8220 or you may register on-line. Please note, you will be required to register for a login name and pass code to access our on line registration.

1. Log onto [www.traulsen.com](http://www.traulsen.com)
2. Select Contact Us/Dealer Directory (top right of screen)
3. Select Warranty Registration (lower right of screen)
4. Fill out information requested
5. Select Submit to complete unit warranty registration

## IX. WARRANTIES



### STANDARD DOMESTIC WARRANTY

TRAULSEN warrants new equipment to the original purchaser, when installed within the United States against defective material and workmanship for three (3) years from the date of original installation. Under this warranty, TRAULSEN will repair or replace, at its option, including service and labor, all parts found to be defective and subject to this warranty. Warranty term begins upon the date of Installation, the date of End User Invoice or the date of Dealer Invoice, whichever is proven to occur latest, not to exceed 18 months from Dealer Invoice date (the "Warranty Period"). Warranty excludes components that are removable without tools.

The compressor part is warranted for an additional two (2) years. During this period TRAULSEN will supply replacement compressor(s) if deemed defective, however all installation, recharging and repair costs will remain the responsibility of the owner.

This warranty does not apply to damage resulting from fire, water, burglary, accident, abuse, misuse, transit, acts of God, terrorism, attempted repairs, improper installation by unauthorized persons, and does not apply to food loss.

For Traulsen units purchased with a remote feature, standard warranty will apply only to those components contained within the unit to the point of connection of the refrigeration lines leading to the remote condenser.

"Defective Part Return" – All claimed defective replacement part(s) must be returned to TRAULSEN for inspection within 30 days from the date of the repair. Failure to return all claimed defective part(s) to TRAULSEN will invalidate the warranty claim, this warranty statement, and forfeit payment for those repairs affected.

### INTERNATIONAL COMMERCIAL WARRANTY

TRAULSEN warrants to the original purchaser the Refrigeration Equipment shall be manufactured free from defects in material and workmanship under normal use and service for a period of one (1) year from date of shipment. Under this warranty, TRAULSEN will reimburse the purchaser for the replacement of any part of said equipment (excluding dryers & refrigerant gas) which then proves to be defective. This warranty does not apply to damage resulting from fire, water, burglary, accident, abuse, misuse, transit, acts of God, terrorism, attempted repairs, improper installation by unauthorized persons, and will not apply to food loss.

TRAULSEN'S standard warranty does not apply to Export Sales. Rather, for a period of one (1) year from date of original installation not to exceed Fifteen (15) months from date of shipment from factory, TRAULSEN: will, at Traulsen's sole discretion, replace or repair, F.O.B. factory, any defective parts normally subject to warranty and will not cover the cost of packing, freight or labor, such costs being the sole responsibility of the dealer.

**THERE ARE NO ORAL, STATUTORY OR IMPLIED WARRANTIES APPLICABLE TO TRAULSEN, INCLUDING BUT NOT LIMITED TO, ANY IMPLIED WARRANTY OF MERCHANTABILITY OR FITNESS FOR ANY PARTICULAR PURPOSE WHICH EXTEND BEYOND THE DESCRIPTION ON THE FACE HEREOF. TRAULSEN SHALL HAVE NO OBLIGATION OR LIABILITY FOR CONSEQUENTIAL OR SPECIAL DAMAGES, INCLUDING, BUT NOT LIMITED TO, INDIRECT, PUNITIVE DAMAGES, LOSS OF USE, LOSS OF PRODUCT, DOWN TIME OR LOST PROFITS, GROWING OUT OF OR WITH RESPECT TO THE EQUIPMENT OR ITS SALE, OPERATION OR USE, AND TRAULSEN NEITHER ASSUMES NOR AUTHORIZES ANYONE ELSE TO ASSUME FOR IT ANY OBLIGATION OR LIABILITY IN CONNECTION WITH THE EQUIPMENT OR ITS SALE, OPERATION OR USE OTHER THAN AS STATED HEREIN.**

**THIS WARRANTY IS IN LIEU OF ALL OTHER WARRANTIES EITHER EXPRESSED OR IMPLIED AND CONSTITUTES TRAULSEN'S FULL OBLIGATION AND LIABILITY. WARRANTIES NOT AVAILABLE ON REMOTE MODELS.**

## X. SERVICE PARTS LIST

Note: Part numbers listed are for standard products as currently manufactured. For products manufactured as other than standard, please contact the factory.

ITEM	DESCRIPTION	PART NUMBER
<b>CASTERS</b>	6" CASTER - 60" MODELS	CASTER 5SET6
	6" CASTER - 27", 32" & 48" MODELS	CASTER 5SET4
	4" CASTER - 60" MODELS	CASTER 60SET3
	4" CASTER - 27", 32" & 48" MODELS	CASTER SET4IN
	3 1/2" CASTER - 60" MODELS	CASTER SET4
	3 1/2" CASTER - 27" , 32" & 48" MODELS	CASTER SET3IN
	2 1/2" CASTER - 27" MODELS	CASTER SET2IN
<b>HINGE</b>	REPLACEMENT HINGE	<a href="#">SER-60248-00</a>
	REPLACEMENT HINGE CARTRIDGE	<a href="#">SER-60249-00</a>
<b>SHELVES</b>	SHELF - 27" MODELS	<a href="#">SHELF CPW1</a>
	SHELF - 32" MODELS	SHELF CPW2
	SHELF - 48" MODELS (UPPER)	SHELF48 UPPER
	SHELF - 48" MODELS (LOWER)	SHELF48 LOWER
	SHELF - 60" MODELS (UPPER)	SHELF60 UPPER
	SHELF - 60" MODELS (LOWER)	SHELF60 LOWER
<b>SHELF CLIP</b>	SHELF CLIP - ALL MODELS	<a href="#">SER-60269-00</a>
<b>THERMOMETER</b>	THERMOMETER - ALL MODELS	SER-60268-00
<b>TOP, BACKSPLASH</b>	BACKSPLASH TOP - 27" MODELS	CU27TOP BSWO
	BACKSPLASH TOP - 32" MODELS	CU32TOP BSWO
	BACKSPLASH TOP - 48" MODELS	CU48TOP BSWO
	BACKSPLASH TOP - 60" MODELS	CU60TOP BSWO

## X. SERVICE PARTS LIST (continued)

Note: Part numbers listed are for standard products as currently manufactured. For products manufactured as other than standard, please contact the factory.

ITEM	DESCRIPTION	PART NUMBER
<b>DRAWER 27 COMPACT</b>	DRAWER ASSEMBLY	550-10234-00
	DRAWER TOP	<a href="#">550-10214-00</a>
	DRAWER BOTTOM	<a href="#">550-10233-00</a>
	DRAWER FACE ASSEMBLY TOP	550-10216-00
	DRAWER FACE ASSEMBLY BOTTOM	550-10216-01
	DRAWER FRAME ASSEMBLY TOP/BOTTOM	550-10135-01
	DRAWER SUPPORT LEFT	550-10231-00
	DRAWER SUPPORT RIGHT	550-10232-00
	DRAWER SLIDING RAIL LEFT	<a href="#">550-10230-00</a>
	DRAWER SLIDING RAIL RIGHT	<a href="#">550-10230-01</a>
	DRAWER CROSSRAIL	550-10215-00
	DRAWER GASKET TOP	341-60099-02
	DRAWER GASKET BOTTOM	341-60099-03
	DRAWER ROLLER	<a href="#">344-41808-01</a>
	DIVIDER	<a href="#">701-60774-00</a>
<b>DRAWER 32 COMPACT</b>	DRAWER ASSEMBLY	550-10236-00
	DRAWER TOP	550-10222-00
	DRAWER BOTTOM	<a href="#">550-10235-00</a>
	DRAWER FACE ASSEMBLY TOP	550-10224-00
	DRAWER FACE ASSEMBLY BOTTOM	550-10224-01
	DRAWER FRAME ASSEMBLY TOP/BOTTOM	550-10209-01
	DRAWER SUPPORT LEFT	550-10231-00
	DRAWER SUPPORT RIGHT	550-10232-00
	DRAWER SLIDING RAIL LEFT	<a href="#">550-10230-00</a>
	DRAWER SLIDING RAIL RIGHT	<a href="#">550-10230-01</a>
	DRAWER CROSSRAIL	550-10223-00
	DRAWER GASKET TOP	341-60099-04
	DRAWER GASKET BOTTOM	341-60099-05
	DRAWER ROLLER	<a href="#">344-41808-01</a>
	DIVIDER NARROW	<a href="#">701-61258-03</a>
	DIVIDER WIDE	<a href="#">701-61258-04</a>
<b>DRAWER 60 COMPACT</b>	DRAWER ASSEMBLY FIRST OPENING	550-10239-00
	DRAWER ASSEMBLY SECOND OPENING	550-10239-01
	DRAWER TOP	550-10214-02
	DRAWER BOTTOM	<a href="#">550-10233-00</a>
	DRAWER FACE ASSEMBLY TOP	550-10216-00
	DRAWER FACE ASSEMBLY BOTTOM	550-10216-01
	DRAWER FRAME ASSEMBLY TOP	550-10135-03
	DRAWER FRAME ASSEMBLY BOTTOM	550-10135-01
	DRAWER SUPPORT LEFT FIRST OPENING	550-10231-00
	DRAWER SUPPORT RIGHT FIRST OPENING	550-10237-00
	DRAWER SUPPORT LEFT SECOND OPENING	550-10238-00
	DRAWER SUPPORT RIGHT SECOND OPENING	550-10232-00
	DRAWER SLIDING RAIL LEFT	<a href="#">550-10230-00</a>
	DRAWER SLIDING RAIL RIGHT	<a href="#">550-10230-01</a>
	DRAWER CROSSRAIL	550-10215-00
	DRAWER GASKET TOP	341-60099-02
	DRAWER GASKET BOTTOM	341-60099-03
	DRAWER ROLLER	<a href="#">344-41808-01</a>
	DIVIDER WITH HOOKS	<a href="#">601-61110-00</a>
	DIVIDER	<a href="#">701-60774-00</a>

## NOTES:

**HOURS OF OPERATION:**  
Monday thru Friday 7:30 am - 4:30 pm CST



**Quality Refrigeration**

**Traulsen**  
4401 Blue Moud Road Fort Worth, TX 76106  
Phone (800) 825-8220 Fax (817) 740-6757  
Website: [www.traulsen.com](http://www.traulsen.com)