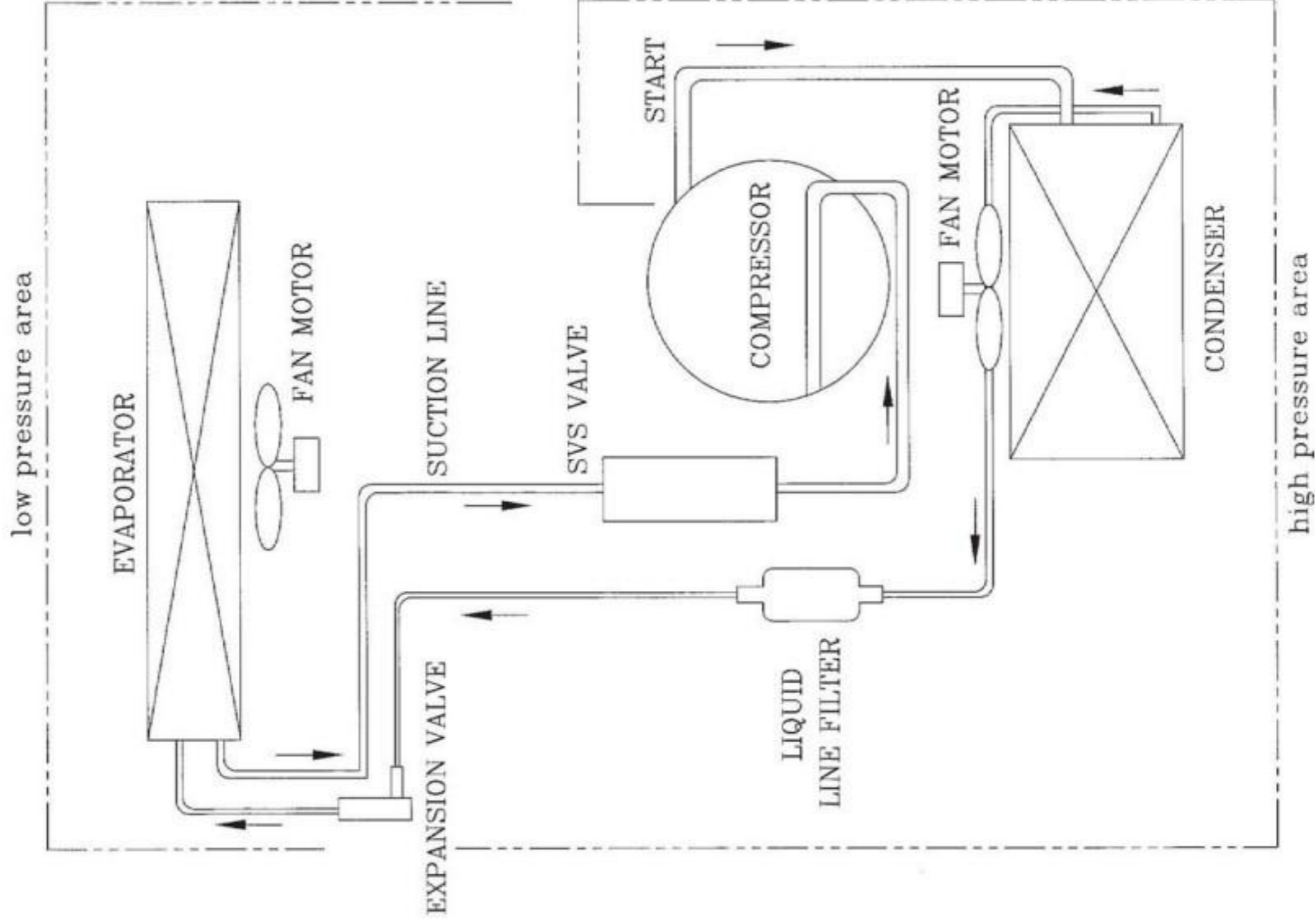
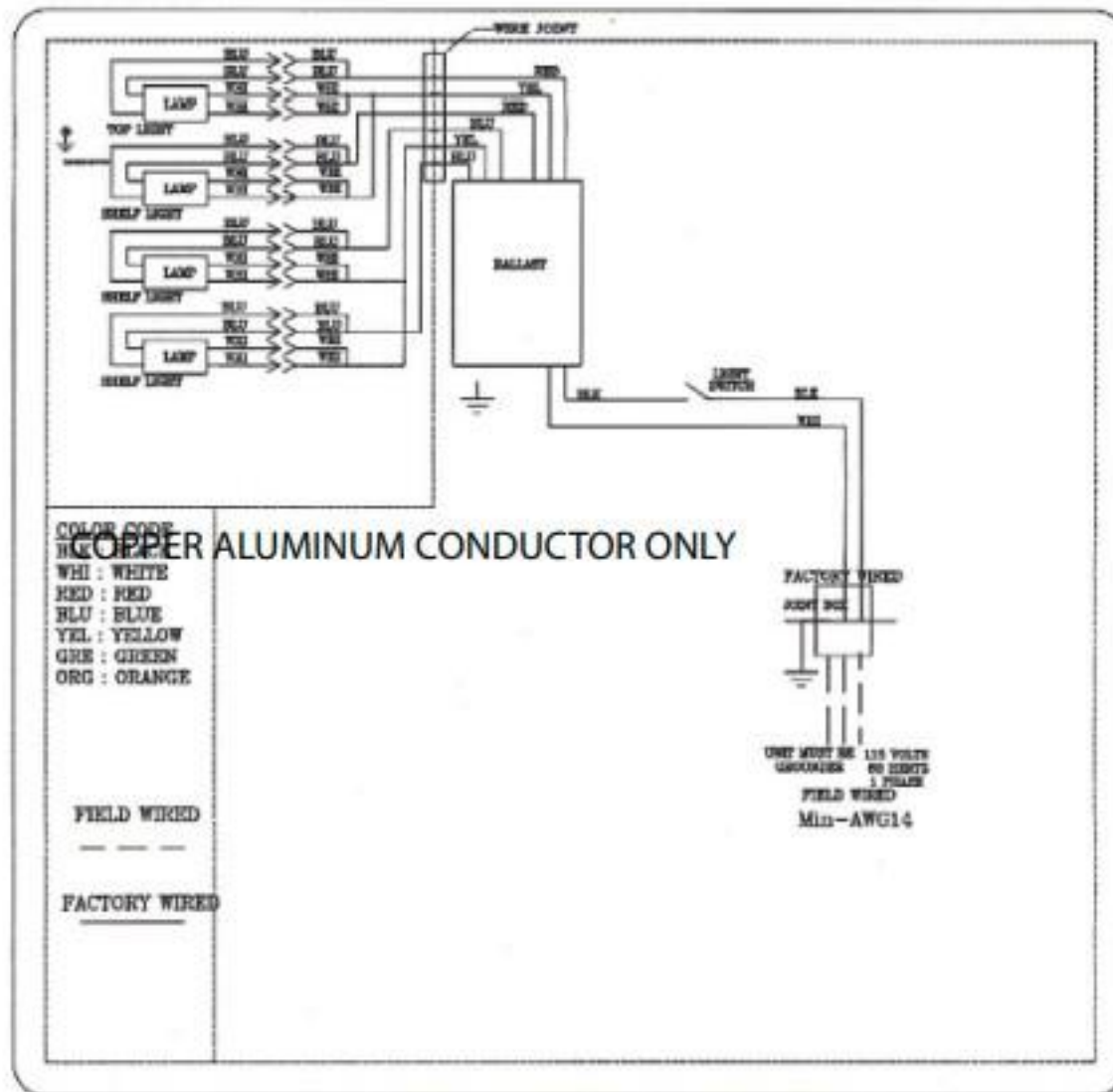


## 7. REFRIGERANT CYCLE DIAGRAM

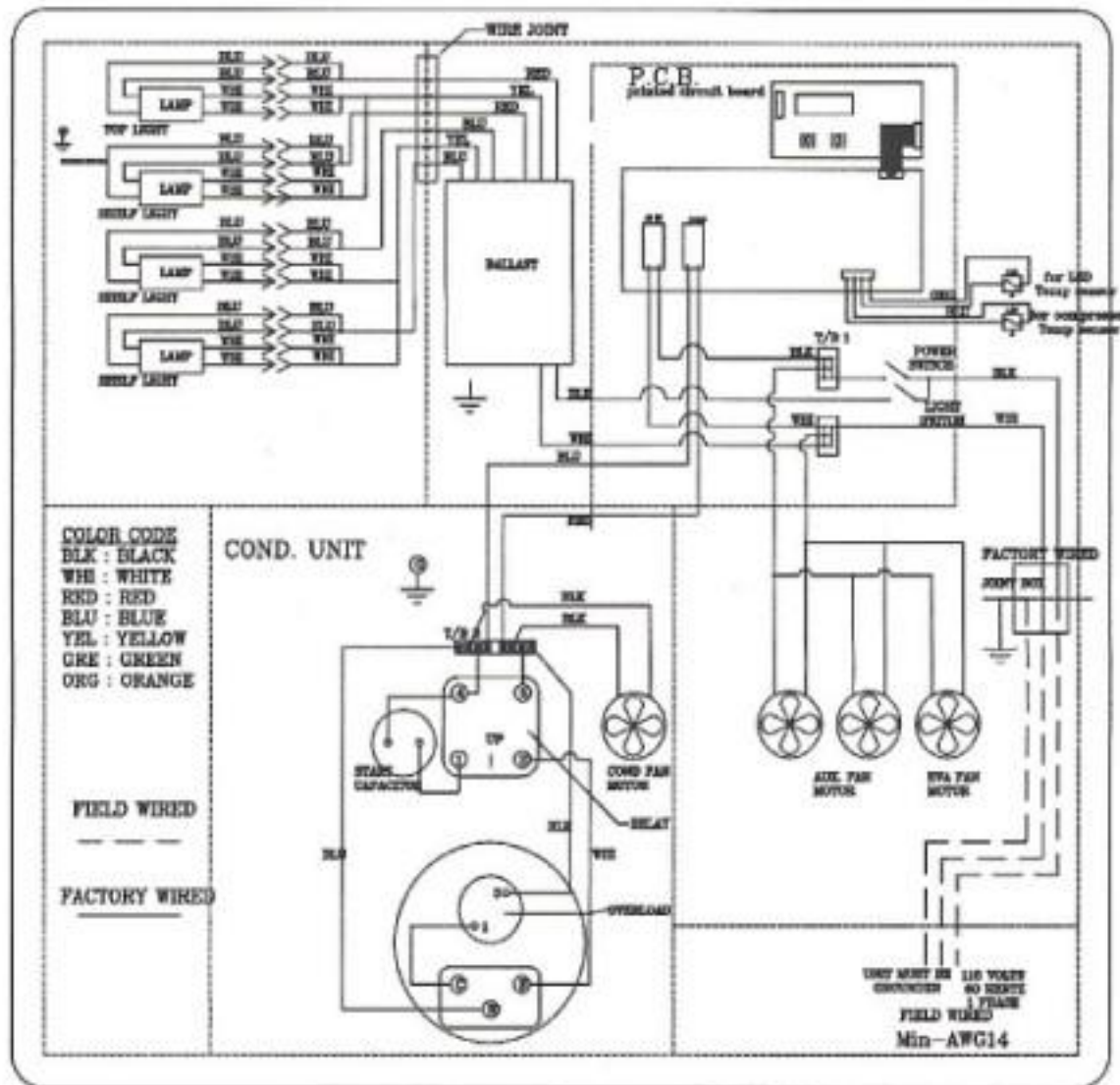


## 2-4. DRY CASE



COPPER ALUMINUM CONDUCTOR ONLY

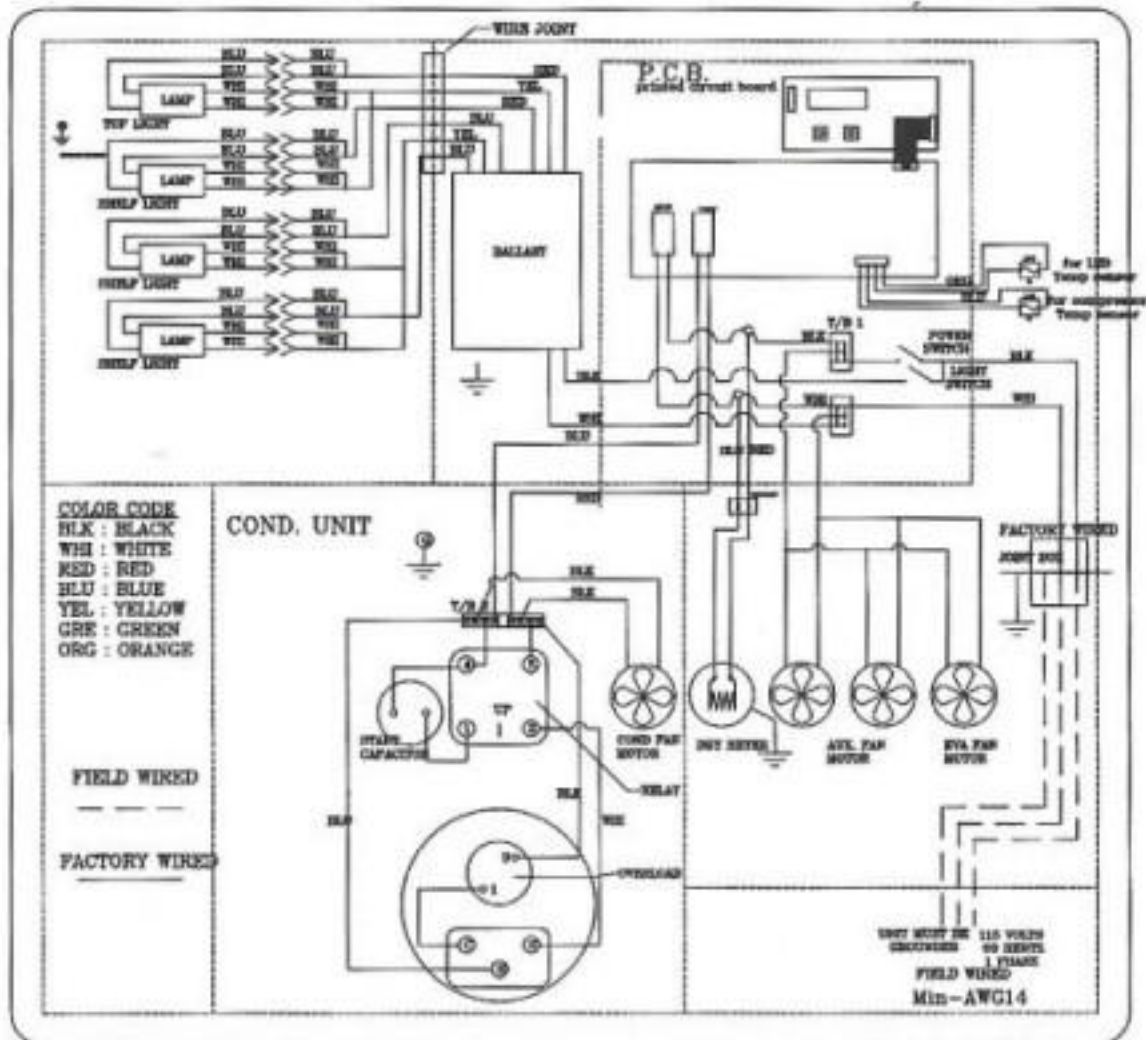
## 2-3. REFRIGERATOR (REMOVE THE CONDENSER REMOVE)



COPPER ALUMINUM CONDUCTOR ONLY

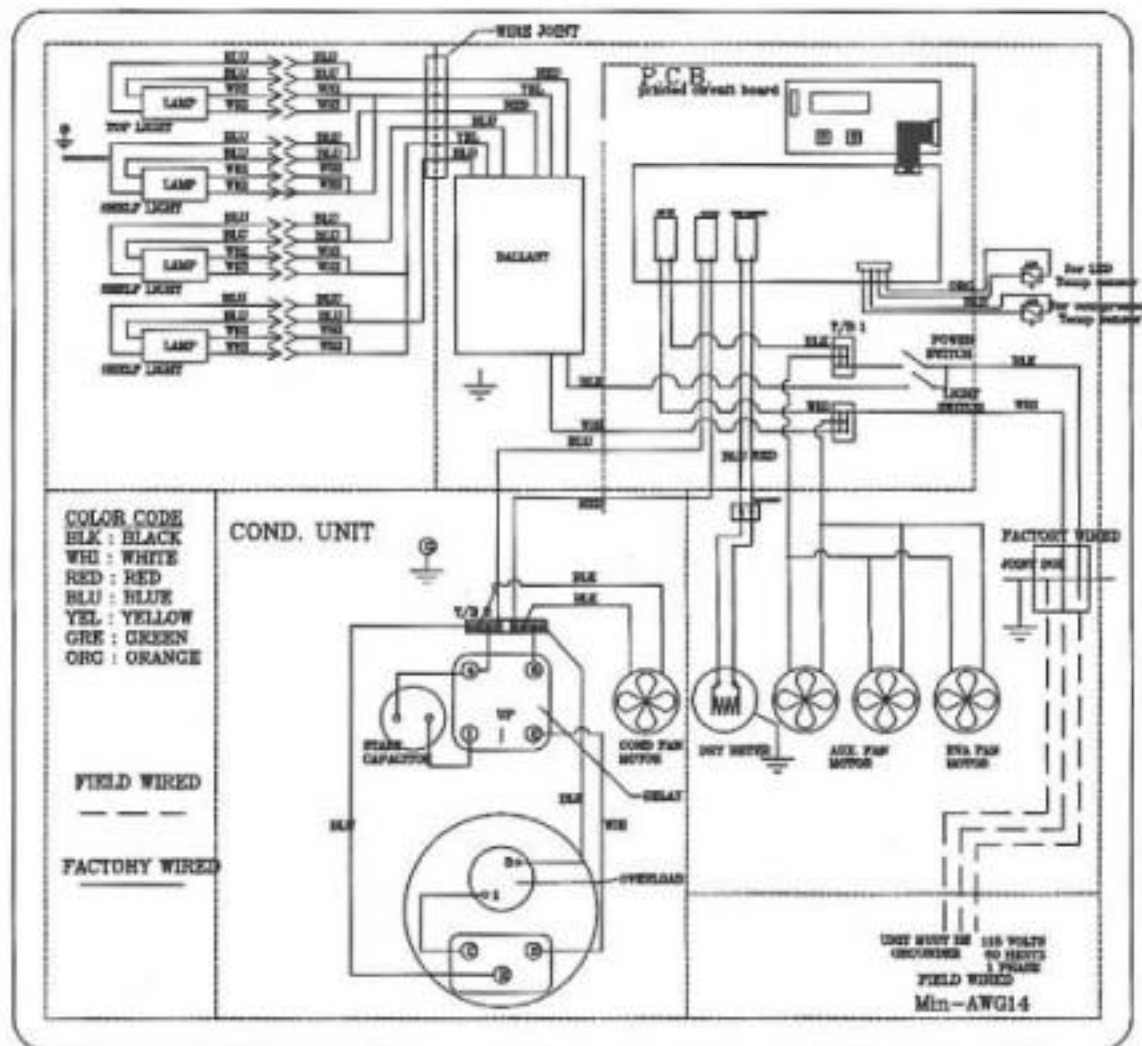
## 2-2. REFRIGERATOR

(APPLY FROM TB5R004001, TB4R004001)



COPPER ALUMINUM CONDUCTOR ONLY

## 2-1. REFRIGERATOR (A PART OF PRODUCTE BEFORE APR 2005)



COPPER ALUMINUM CONDUCTOR ONLY