



T&S BRASS AND BRONZE WORKS, INC.
 2 Saddleback Cove / P.O. Box 1088
 Travelers Rest, SC 29690

Model No.
001618-40

Item No.

Travelers Rest, SC: 800-476-4103 • Simi Valley, CA: 800-423-0150 • Fax: 864-834-3518 • www.tsbrass.com

This Space for Architect/Engineer Approval

Job Name _____ Date _____

Model Specified _____ Quantity _____

Customer/Wholesaler _____

Contractor _____

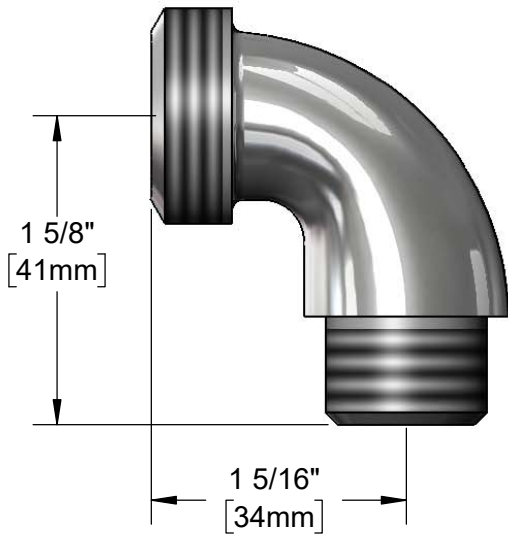
Architect/Engineer _____



3/4"-11 1/2 Male Garden Hose Outlet



1/2" NPT Male Thread



Product Specifications:
 Polished Spout w/ Male Garden Hose Outlet & 1/2" NPT Male Inlet

Product Compliance:
 NSF 61 - Section 9
 NSF 372 (Low Lead Content)