



**T&S BRASS AND BRONZE WORKS, INC.**  
 2 Saddleback Cove / P.O. Box 1088  
 Travelers Rest, SC 29690

Model No.  
**001AC**

Item No.

Travelers Rest, SC: 800-476-4103 • Simi Valley, CA: 800-423-0150 • Fax: 864-834-3518 • www.tsbrass.com

This Space for Architect/Engineer Approval

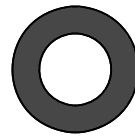
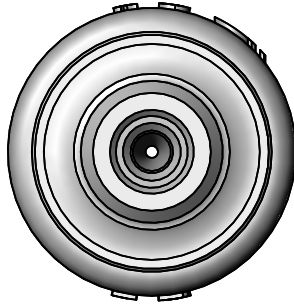
Job Name \_\_\_\_\_ Date \_\_\_\_\_

Model Specified \_\_\_\_\_ Quantity \_\_\_\_\_

Customer/Wholesaler \_\_\_\_\_

Contractor \_\_\_\_\_

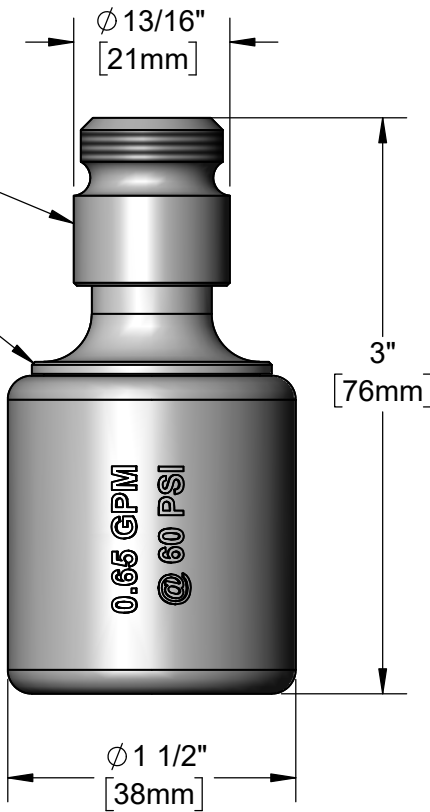
Architect/Engineer \_\_\_\_\_



Washer  
 (010476-45)  
 (Included)

5/8-27 Female x  
 3/4-14 Male Adapter

B-0107-C Nozzle



Product Specifications:  
**B-0107-C**, .65 GPM Low Flow Spray Tip, Bumper with adapter

Product Compliance:  
 ASME A112.18.1 / CSA B125.1  
 NSF 61 - Section 9  
 NSF 372 (Low Lead Content)



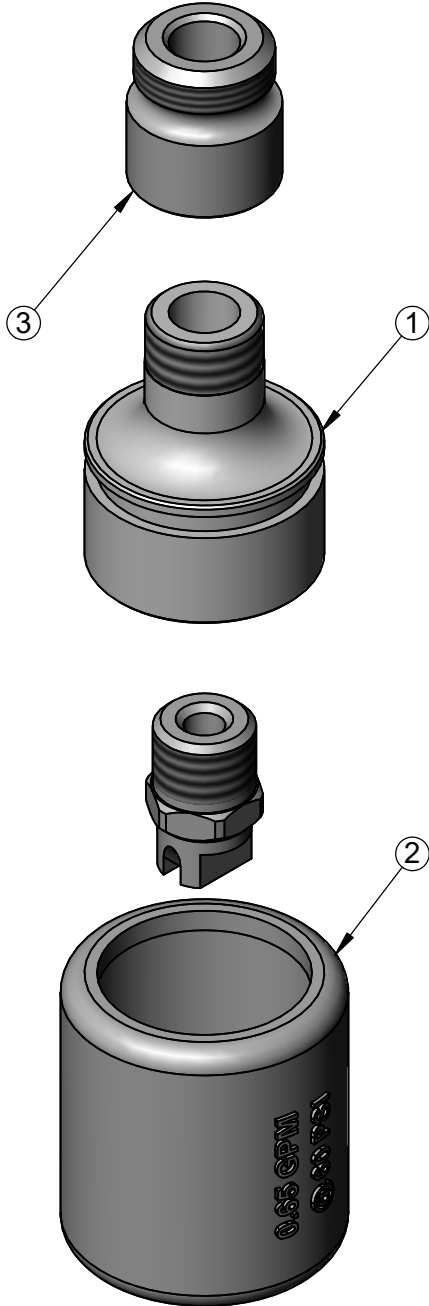
**T&S BRASS AND BRONZE WORKS, INC.**  
2 Saddleback Cove / P.O. Box 1088  
Travelers Rest, SC 29690

Model No.  
**001AC**

Item No.

Travelers Rest, SC: 800-476-4103 • Simi Valley, CA: 800-423-0150 • Fax: 864-834-3518 • www.tsbrass.com

ITEM NO.	SALES NO.	DESCRIPTION
1	<a href="#">003128-25NS</a>	Short Low-Flow PRSV Nozzle
2	<a href="#">002659-45NS</a>	Short Shield, <a href="#">B-0107-C</a>
3	<a href="#">000552-25</a>	Adapter, 5/8-27 Female x 3/4-14 Male



Product Specifications:  
[B-0107-C](#), 0.65 GPM Low Flow Spray Tip, Bumper with Adapter

Product Compliance:  
ASME A112.18.1 / CSA B125.1  
NSF 61 - Section 9  
NSF 372 (Low Lead Content)