



T&S BRASS AND BRONZE WORKS, INC.

2 Saddleback Cove / P.O. Box 1088
Travelers Rest, SC 29690

Model No.

002834-40

Item No.

Travelers Rest, SC: 800-476-4103 • Simi Valley, CA: 800-423-0150 • Fax: 864-834-3518 • www.tsbrass.com



ADA Compliant

This Space for Architect/Engineer Approval

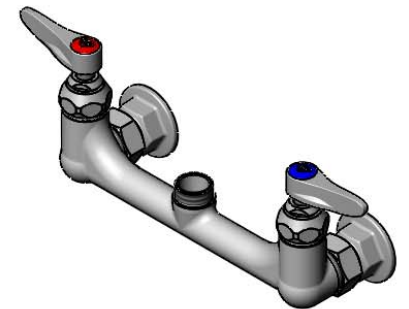
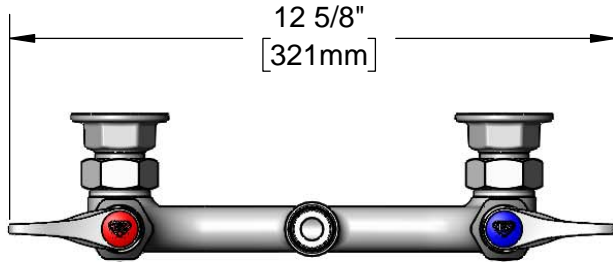
Job Name _____ Date _____

Model Specified _____ Quantity _____

Customer/Wholesaler _____

Contractor _____

Architect/Engineer _____

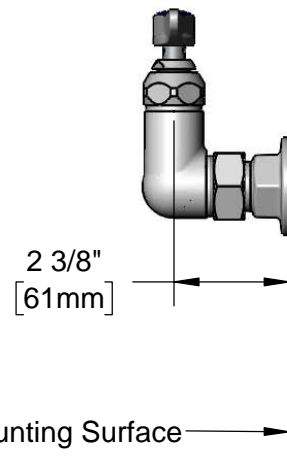
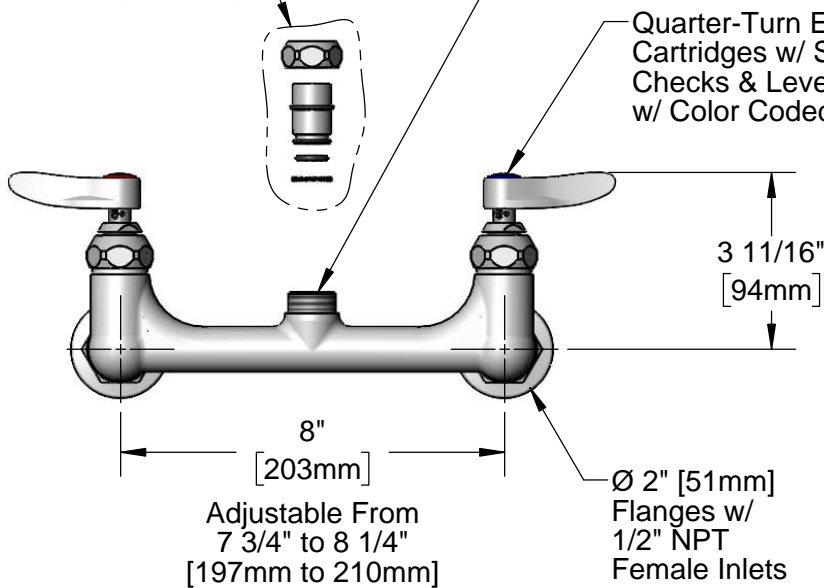


EZ-K

EasyInstall Kit
Converts Rigid Risers &
Nozzles For Use with
Swivel Outlet (Included)

Swivel Outlet Accepts
Standard T&S Swing Nozzles
and EasyInstall Risers.

Quarter-Turn Eterna
Cartridges w/ Spring
Checks & Lever Handles
w/ Color Coded Indexes



Mounting Surface

Product Specifications:

8" Wall Mount Mixing Faucet (Less Nozzle), Quarter-Turn Eterna Cartridges w/ Spring Checks, Lever Handles & 1/2" NPT Female Inlets

Product Compliance:

ASME A112.18.1 / CSA B125.1
NSF 61 - Section 9
NSF 372 (Low Lead Content)
ANSI A117.1 (ADA)



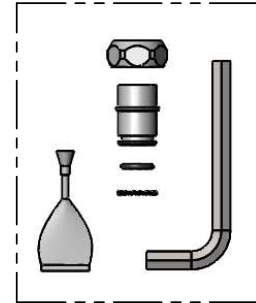
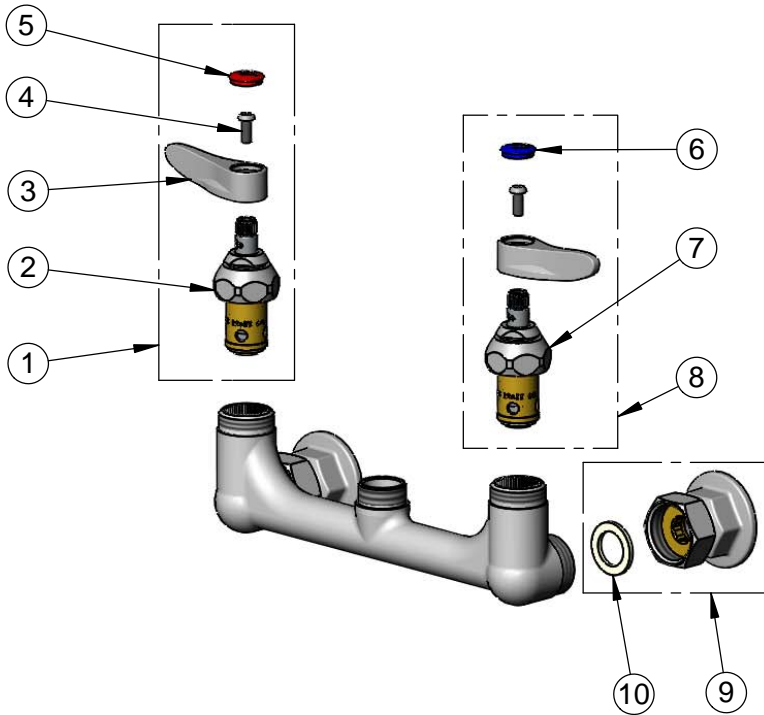
T&S BRASS AND BRONZE WORKS, INC.
 2 Saddleback Cove / P.O. Box 1088
 Travelers Rest, SC 29690

Model No.
002834-40

Item No.

Travelers Rest, SC: 800-476-4103 • Simi Valley, CA: 800-423-0150 • Fax: 864-834-3518 • www.tsbrass.com

ITEM NO.	SALES NO.	DESCRIPTION
1	002712-40NS	Quarter-Turn Eterna Cartridge w/ Spring Check, Handle, Red Index & Screw, RTC
2	012443-40NS	Quarter-Turn Eterna Cartridge w/ Spring Check, RTC
3	001638-45NS	Lever Handle (New Style)
4	000925-45	Lab Handle Screw
5	001193-19NS	Red Button Index, Press-in
6	018506-19NS	Blue Button Index, Press-in
7	012442-40NS	Quarter-Turn Eterna Cartridge w/ Spring Check, LTC
8	002711-40NS	Quarter-Turn Eterna Cartridge w/ Spring Check, Handle, Blue Index & Screw, LTC
9	00AA	1/2" NPT Female Eccentric Flange
10	001019-45	Coupling Nut Washer



EZ-K

Converts Rigid Outlets to EasyInstall for Use with T&S Swivel Base Faucets

Product Specifications:
 8" Wall Mount Mixing Faucet (Less Nozzle), Quarter-Turn Eterna Cartridges w/ Spring Checks, Lever Handles & 1/2" NPT Female Inlets

Product Compliance:
 ASME A112.18.1 / CSA B125.1
 NSF 61 - Section 9
 NSF 372 (Low Lead Content)
 ANSI A117.1 (ADA)