



T&S BRASS AND BRONZE WORKS, INC.
 2 Saddleback Cove / P.O. Box 1088
 Travelers Rest, SC 29690

Model No.
005942-40

Item No.

Travelers Rest, SC: 800-476-4103 • Simi Valley, CA: 800-423-0150 • Fax: 864-834-3518 • www.tsbrass.com



ADA Compliant

This Space for Architect/Engineer Approval

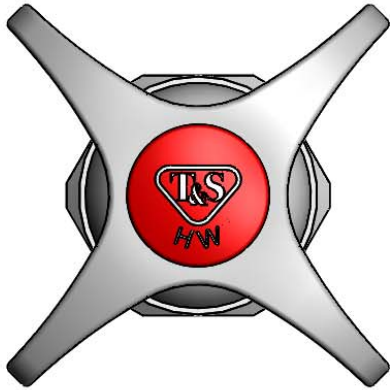
Job Name _____ Date _____

Model Specified _____ Quantity _____

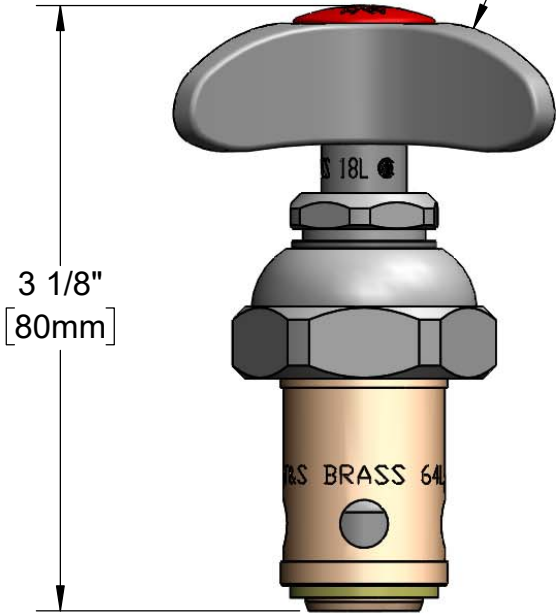
Customer/Wholesaler _____

Contractor _____

Architect/Engineer _____



Chrome Plated 4-Arm
 Handle with Color
 Coded Index Labeled
 "HW"



Product Specifications:
 Right-to-Close Eterna Cartridge w/ 4-Arm Handle and Red "HW" Index

Product Compliance:
 ASME A112.18.1 / CSA B125.1
 NSF 61 - Section 9
 NSF 372 (Low Lead Content)
 ANSI A117.1 (ADA)



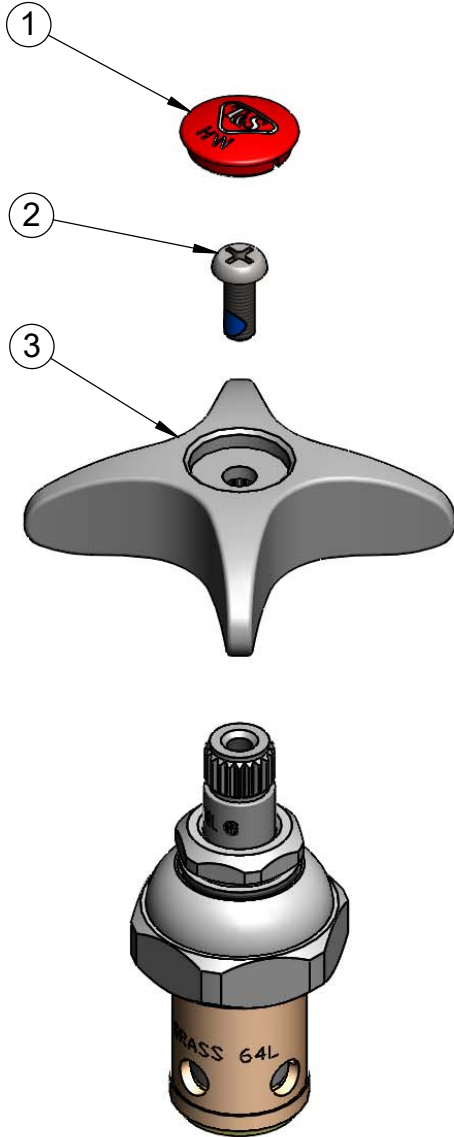
T&S BRASS AND BRONZE WORKS, INC.
 2 Saddleback Cove / P.O. Box 1088
 Travelers Rest, SC 29690

Model No.
005942-40

Item No.

Travelers Rest, SC: 800-476-4103 • Simi Valley, CA: 800-423-0150 • Fax: 864-834-3518 • www.tsbrass.com

ITEM NO.	SALES NO.	DESCRIPTION
1	001194-45NS	Red "HW" Lab Button Index
2	000925-45	Lab Handle Screw
3	002521-45NS	4-Arm Handle (New Style)



Product Specifications:
 Right-to-Close Eterna Cartridge w/ 4-Arm Handle and Red "HW" Index

Product Compliance:
 ASME A112.18.1 / CSA B125.1
 NSF 61 - Section 9
 NSF 372 (Low Lead Content)
 ANSI A117.1 (ADA)