



T&S BRASS AND BRONZE WORKS, INC.
 2 Saddleback Cove / P.O. Box 1088
 Travelers Rest, SC 29690

Model No.
007900-40NS

Item No.

Travelers Rest, SC: 800-476-4103 • Simi Valley, CA: 800-423-0150 • Fax: 864-834-3518 • www.tsbrass.com

This Space for Architect/Engineer Approval

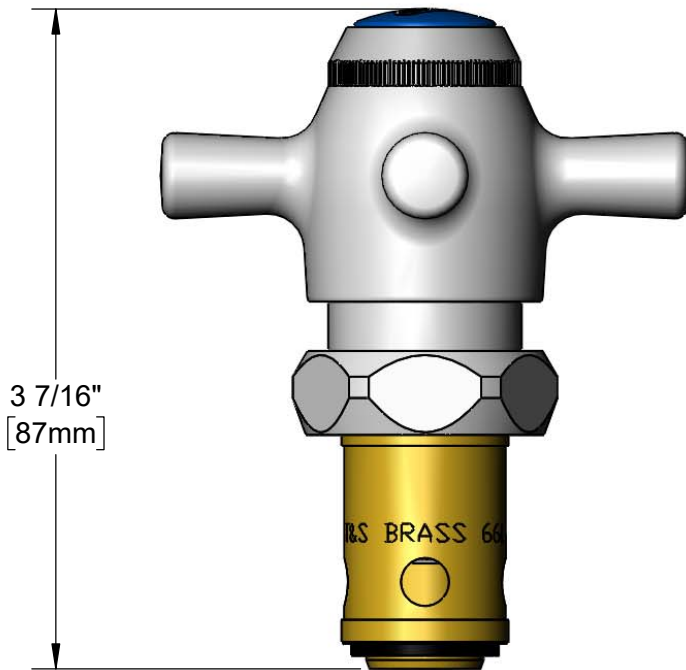
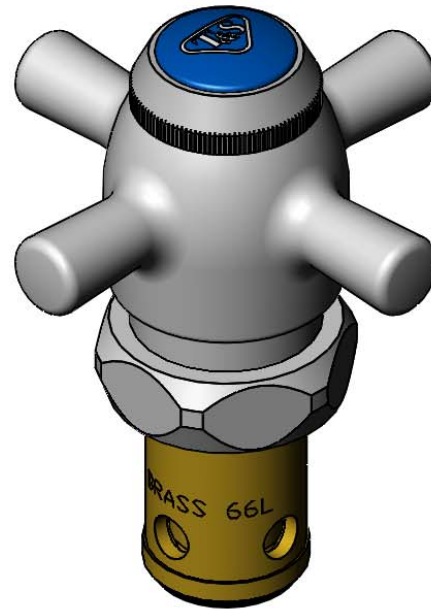
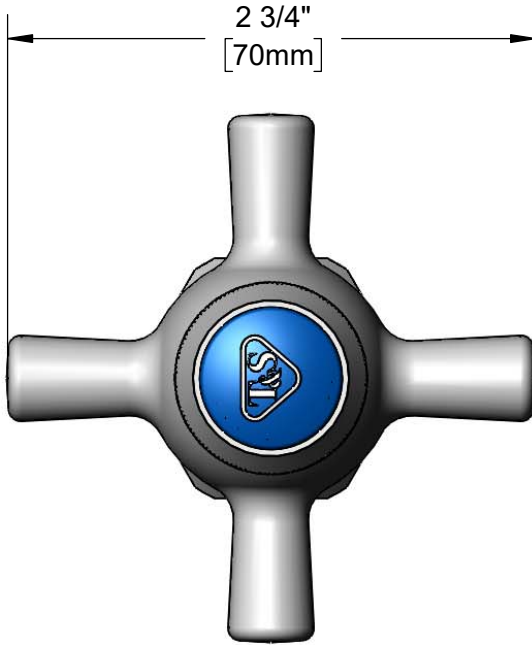
Job Name _____ Date _____

Model Specified _____ Quantity _____

Customer/Wholesaler _____

Contractor _____

Architect/Engineer _____



Product Specifications:
 Fast Self-Closing Cartridge w/ Blue CW Index

Product Compliance:
 ASME A112.18.1 / CSA B125.1
 NSF 61 - Section 9
 NSF 372 (Low Lead Content)



T&S BRASS AND BRONZE WORKS, INC.

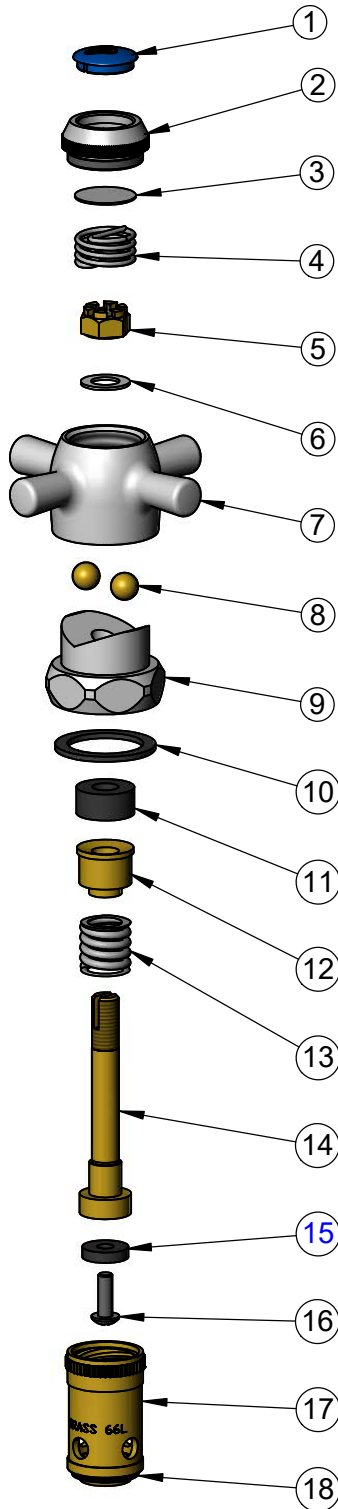
2 Saddleback Cove / P.O. Box 1088
Travelers Rest, SC 29690

Model No.

007900-40NS

Item No.

Travelers Rest, SC: 800-476-4103 • Simi Valley, CA: 800-423-0150 • Fax: 864-834-3518 • www.tsbrass.com



ITEM NO.	SALES NO.	DESCRIPTION
1	018506-19NS	Blue Button Index, Press-in
2	000674-40NS	Slow Close Index Ring
3	001013-45	Slow Close Handle Disc
4	000902-45	Spring, Compression
5	000953-45	Castlated Nut
6	000100-45	Flat Washer
7	000015-40	Self-Closing 4-Arm Handle
8	001408-45	5/16" Brass Ball
9	000606-40NS	Self-Closing Cartridge Bonnet
10	002601-45	Top Gasket
11	001101-45	Packing, Self-Closing Cartridge
12	000740-20	Packing Gland
13	000901-45	Spring, Compression
14	000841-20	Stem, Self-Closing Cartridge
15	001092-45	Seat Washer
16	000933-45	B-1100 Seat Washer Screw
17	000789-20	Removable Insert, LH Thread
18	001022-45	Bottom Gasket

Product Specifications:
Fast Self-Closing Cartridge w/ Blue CW Index

Product Compliance:
ASME A112.18.1 / CSA B125.1
NSF 61 - Section 9
NSF 372 (Low Lead Content)