



# T&S BRASS AND BRONZE WORKS, INC.

2 Saddleback Cove / P.O. Box 1088  
Travelers Rest, SC 29690



REG. #A2601  
ISO #9001

Model No.

**00JJ-RGH**

Item No.

Travelers Rest, SC: 800-476-4103 Simi Valley, CA: 800-423-0150 Fax: 864-834-3518 www.tsbrass.com

This Space for Architect/Engineer Approval

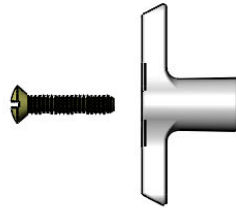
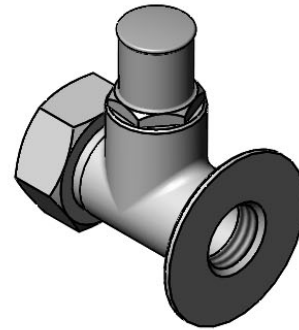
Job Name \_\_\_\_\_ Date \_\_\_\_\_

Model Specified \_\_\_\_\_ Quantity \_\_\_\_\_

Customer/Wholesaler \_\_\_\_\_

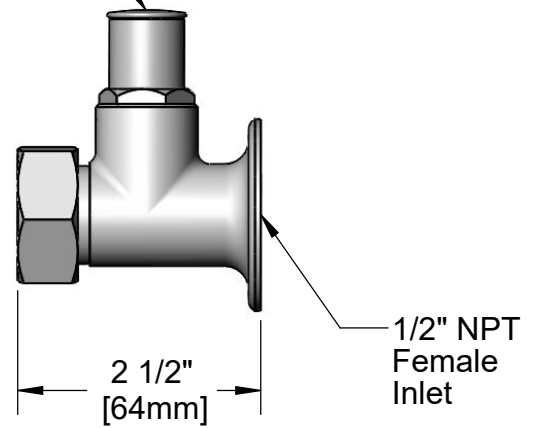
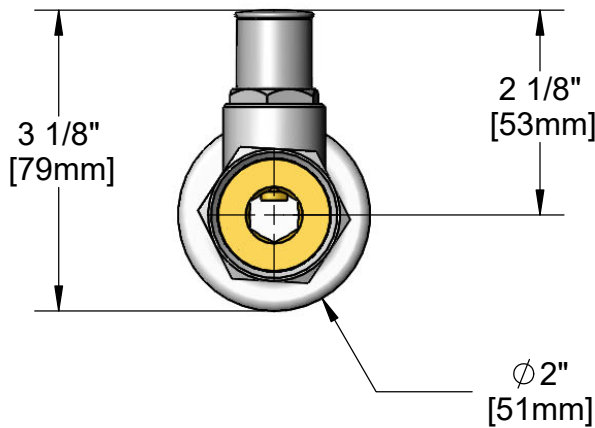
Contractor \_\_\_\_\_

Architect/Engineer \_\_\_\_\_



Furnished w/ Tee Handle (001802-45)  
and Mounting Screw (002432-45)

Screwdriver  
Stop w/ Cap



Product Specifications:  
Flange w/ Integral Stop Assembly, Rough  
Chrome, 1/2" NPT Female Inlet

Drawn  
DHL

Checked  
JRM

Approved  
JHB

Scale:

1:2

Date:

10/16/08



**T&S BRASS AND BRONZE WORKS, INC.**

2 Saddleback Cove / P.O. Box 1088  
Travelers Rest, SC 29690



REG. #A2601  
ISO #9001

Model No.

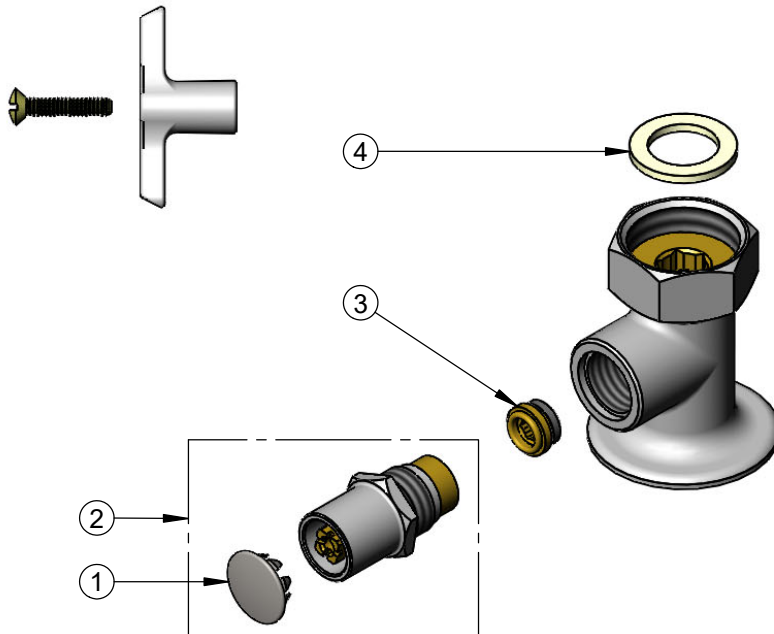
**00JJ-RGH**

Item No.

Travelers Rest, SC: 800-476-4103 Simi Valley, CA: 800-423-0150 Fax: 864-834-3518 www.tsbrass.com

ITEM NO.	SALES NO.	DESCRIPTION
1	001605-45	Cap
2	002892-40	Spindle Asm w/ Cap
3	000763-20	Seat
4	001019-45	Coupling Nut Washer

Tee Handle (001802-45)  
and Mounting Screw (002432-45)



Product Specifications:

Flange w/ Integral Stop Assembly, Rough  
Chrome, 1/2" NPT Female Inlet

Drawn  
DHL

Checked  
JRM

Approved  
JHB

Scale:

1:2

Date:

10/16/08