



T&S BRASS AND BRONZE WORKS, INC.
 2 SADDLEBACK COVE / P.O. BOX 1088 / TRAVELERS REST, SC 29690
 PHONE 800-476-4103 - FAX 864- 834-3518

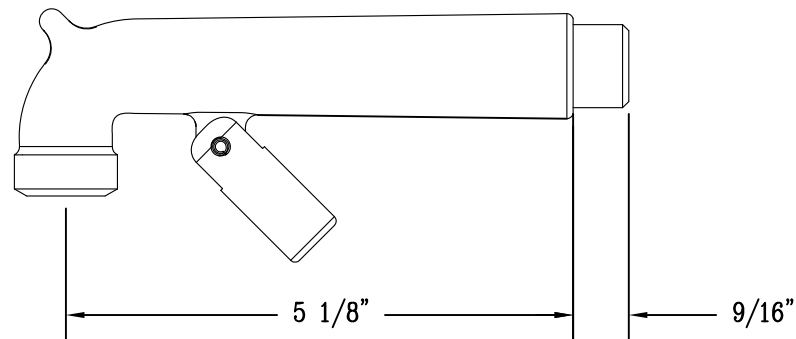
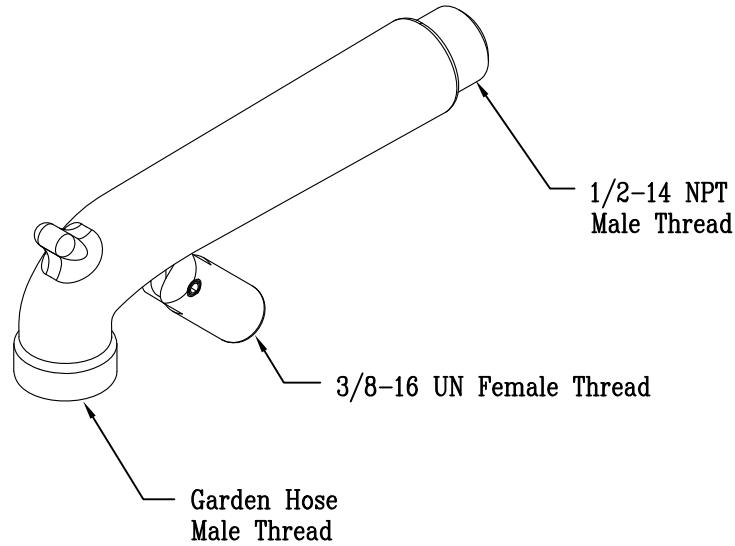


Sales No.
 016450-25
**RELIABILITY
 BUILT IN**

Job Name:

Architect/Engineer Approval:

Notes:



Finish: Rough Chrome Plated

Product Description:
 Nozzle w/ Lower Support Clevis

Drawn:
 DHL
 Approved
 JHB

Checked
 KJG

Scale:
 1:2
 Date:
 02/10/09