



T&S BRASS AND BRONZE WORKS, INC.
 2 Saddleback Cove / P.O. Box 1088
 Travelers Rest, SC 29690

Model No.
016863-20

Item No.

Travelers Rest, SC: 800-476-4103 • Simi Valley, CA: 800-423-0150 • Fax: 864-834-3518 • www.tsbrass.com

This Space for Architect/Engineer Approval

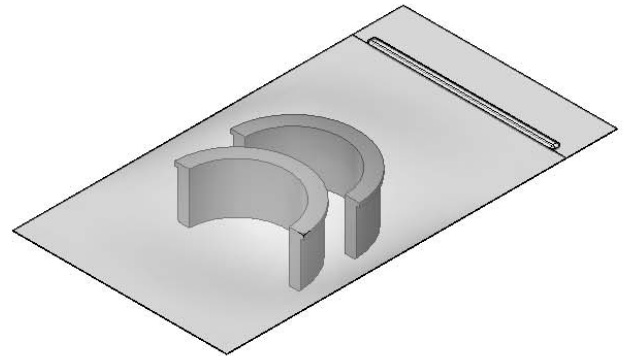
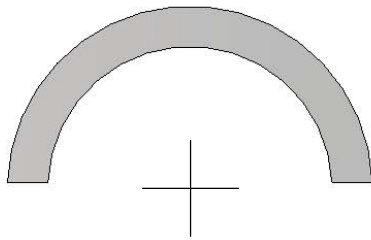
Job Name _____ Date _____

Model Specified _____ Quantity _____

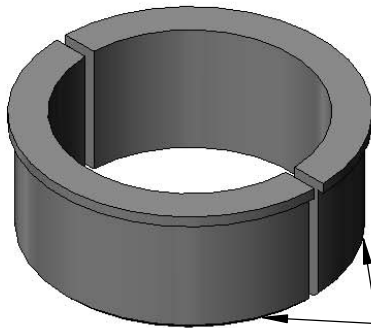
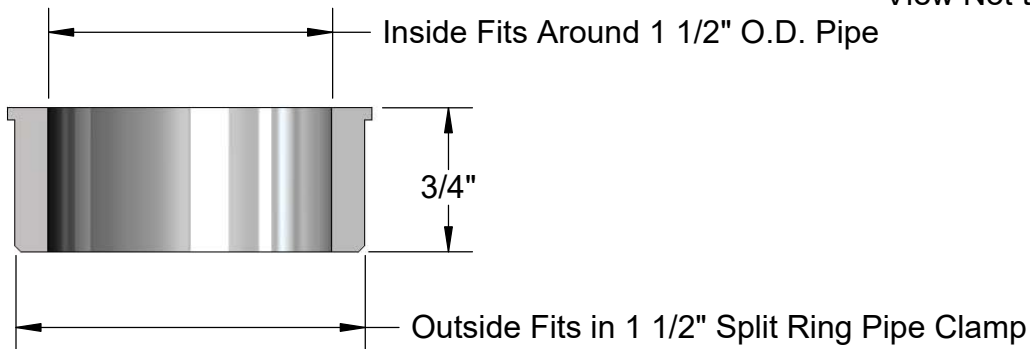
Customer/Wholesaler _____

Contractor _____

Architect/Engineer _____



View Not to Scale



Use (2) Bushings per Clamp
 (Furnished as a Set of 2)

Product Specifications:
 PVC Clamp Split Bushing,
 Converts 1-1/2" Split Ring Pipe Clamp to Hold
 1-1/2" O.D. Pipe

Product Compliance: