



T&S BRASS AND BRONZE WORKS, INC.
 2 Saddleback Cove / P.O. Box 1088
 Travelers Rest, SC 29690

Model No.
019058-45

Item No.

Travelers Rest, SC: 800-476-4103 • Simi Valley, CA: 800-423-0150 • Fax: 864-834-3518 • www.tsbrass.com

This Space for Architect/Engineer Approval

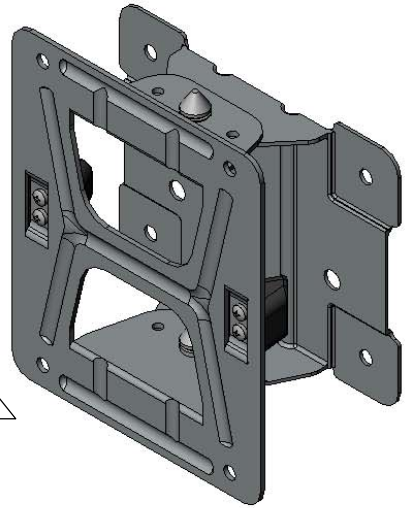
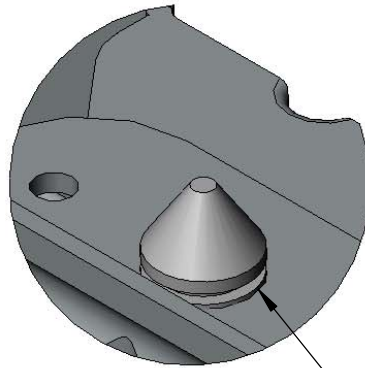
Job Name _____ Date _____

Model Specified _____ Quantity _____

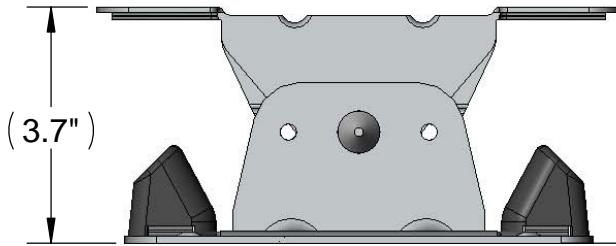
Customer/Wholesaler _____

Contractor _____

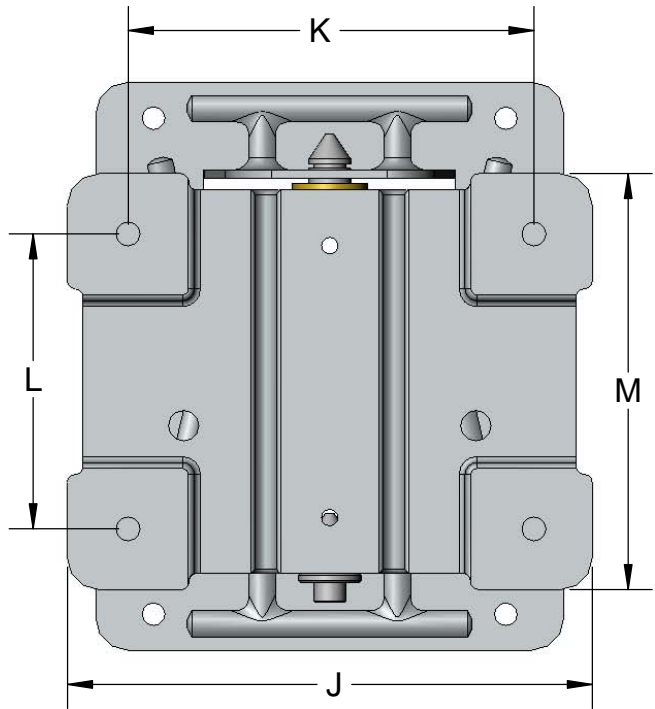
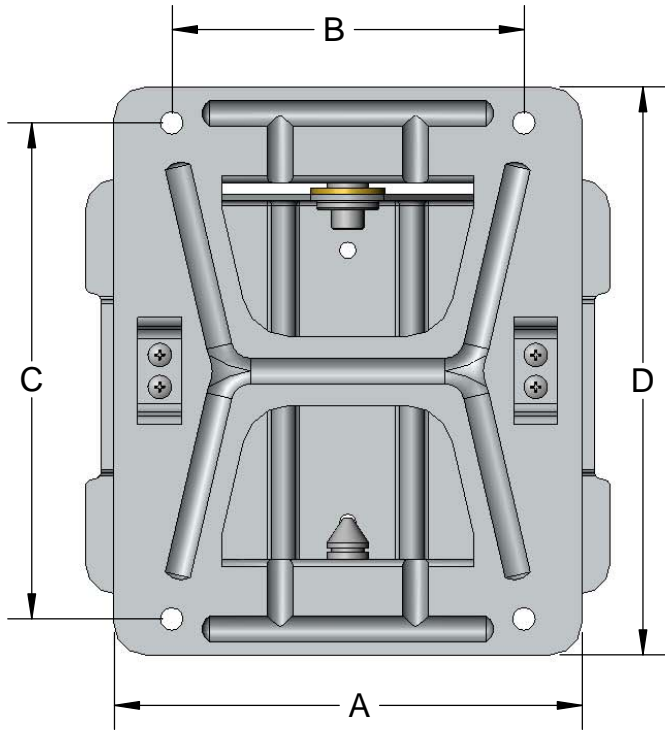
Architect/Engineer _____



Quick Mount Pin & Clip
 Allow for Easy & Secure
 Mounting of Reels



Mounting
 Surface



PART #	A	B	C	D	J	K	L	M
ESA-4L33-S ESA-4L50-S	7.3"	5.5"	7.7"	8.9"	8.2"	6.3"	4.6"	6.5"

Product Specifications:
 Small Stainless Steel Swivel for ESA Reel Series 430

Drawn JRM	Checked KJG	Approved JHB
Scale: 1:3		Date: 10/25/14