



T&S BRASS AND BRONZE WORKS, INC.
 2 Saddleback Cove / P.O. Box 1088
 Travelers Rest, SC 29690

Model No.
019369-25

Item No.

Travelers Rest, SC: 800-476-4103 • Simi Valley, CA: 800-423-0150 • Fax: 864-834-3518 • www.tsbrass.com

This Space for Architect/Engineer Approval

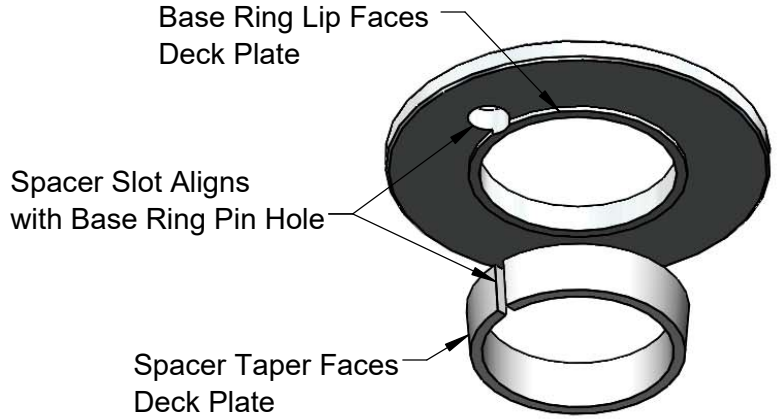
Job Name _____ Date _____

Model Specified _____ Quantity _____

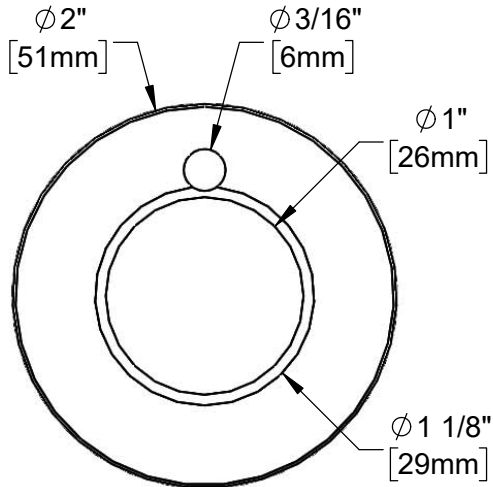
Customer/Wholesaler _____

Contractor _____

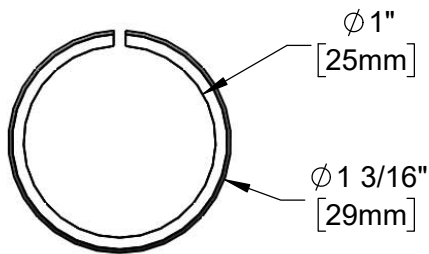
Architect/Engineer _____



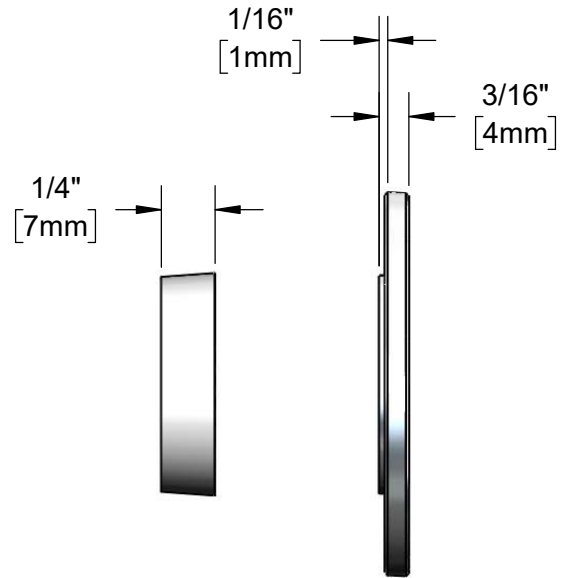
Installation with Deck Plate



Chrome Plated Brass Base Ring



Plastic Deck Plate Spacer



Note: The Plastic Deck Plate Spacer is Required for Secure Installation of B-0712 Series, B-2460 Series and Similar Faucets Installed with 013433-40 or 013434-40 Deck Plates. (See Installation with Deck Plate Detail Above)

Product Specifications:
 B-0712 / B-2460 Base Ring and Deck Plate Spacer

Product Compliance: