



**T&S BRASS AND BRONZE WORKS, INC.**  
 2 Saddleback Cove / P.O. Box 1088  
 Travelers Rest, SC 29690

Model No.  
**060X-LAM-VR**

Item No.

Travelers Rest, SC: 800-476-4103 • Simi Valley, CA: 800-423-0150 • Fax: 864-834-3518 • www.tsbrass.com

This Space for Architect/Engineer Approval

Job Name \_\_\_\_\_ Date \_\_\_\_\_

Model Specified \_\_\_\_\_ Quantity \_\_\_\_\_

Customer/Wholesaler \_\_\_\_\_

Contractor \_\_\_\_\_

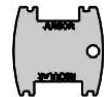
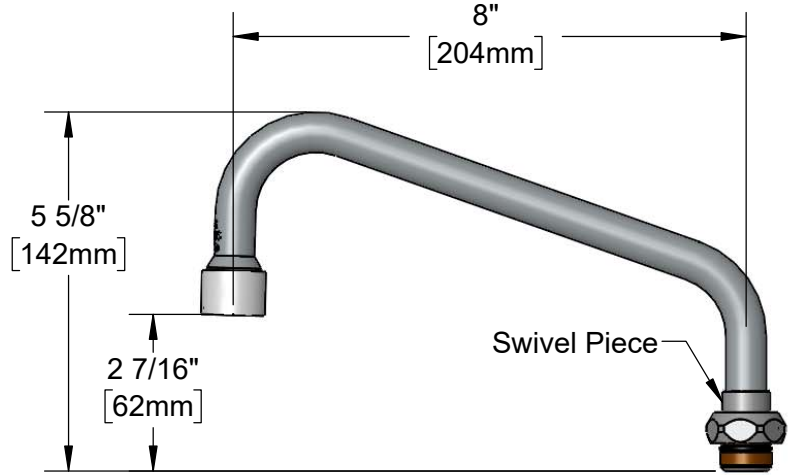
Architect/Engineer \_\_\_\_\_



**B-0199-21-VRF**  
 2.2 GPM VR  
 Laminar Flow Device



Swivel Joint Fits  
 All Standard T&S  
 Swivel Outlets



Vandal Resistant Key  
**015425-45**  
 (Included)

Product Specifications:  
**8" Swing Nozzle w/ 2.2 GPM VR Laminar Flow Device**

Product Compliance:  
 ASME A112.18.1 / CSA B125.1  
 NSF 61 - Section 9  
 NSF 372 (Low Lead Content)