



T&S BRASS AND BRONZE WORKS, INC.
 2 Saddleback Cove / P.O. Box 1088
 Travelers Rest, SC 29690

Model No.
120A-NS

Item No.

Travelers Rest, SC: 800-476-4103 • Simi Valley, CA: 800-423-0150 • Fax: 864-834-3518 • www.tsbrass.com

This Space for Architect/Engineer Approval

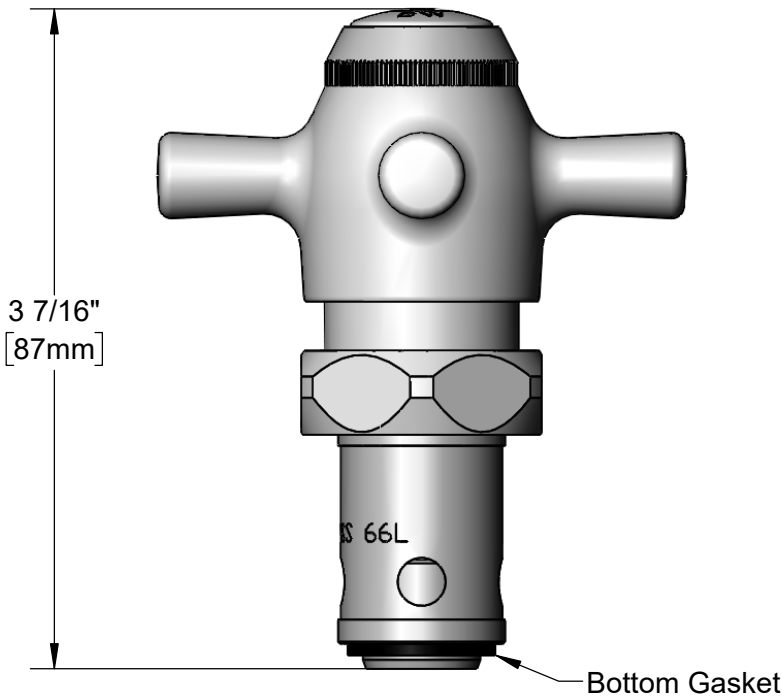
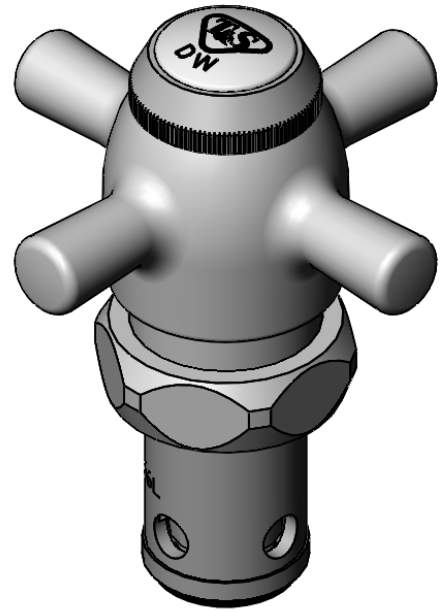
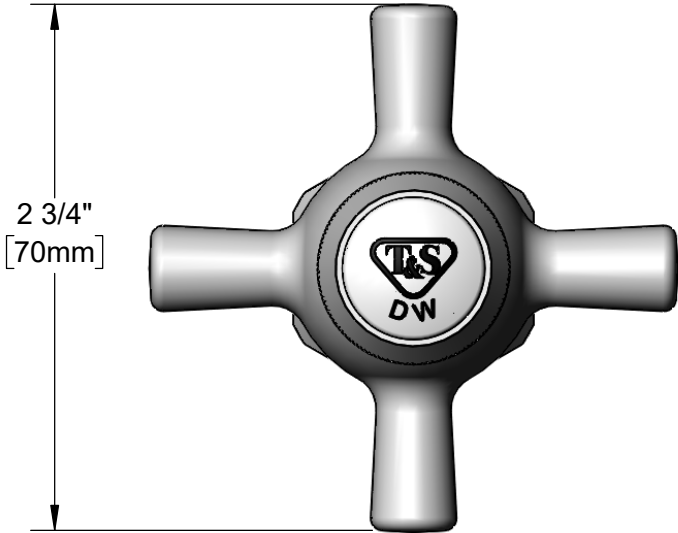
Job Name _____ Date _____

Model Specified _____ Quantity _____

Customer/Wholesaler _____

Contractor _____

Architect/Engineer _____



Product Specifications:
 Fast Self-Closing, Tin-Lined Cartridge w/ White DW Index

Product Compliance:

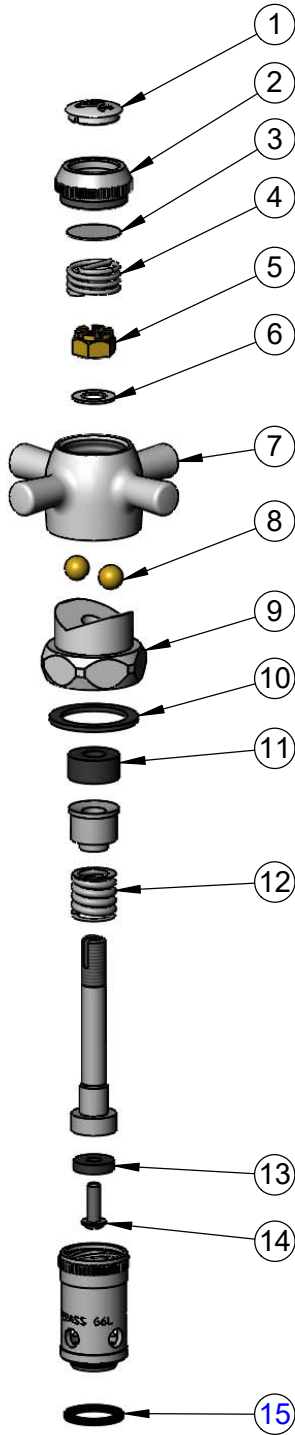


T&S BRASS AND BRONZE WORKS, INC.
 2 Saddleback Cove / P.O. Box 1088
 Travelers Rest, SC 29690

Model No.
120A-NS

Item No.

Travelers Rest, SC: 800-476-4103 • Simi Valley, CA: 800-423-0150 • Fax: 864-834-3518 • www.tsbrass.com



ITEM NO.	SALES NO.	DESCRIPTION
1	209L-DW-NS	White "DW" Lab Button Index
2	000674-40NS	Slow Close Index Ring
3	001013-45	Slow Close Handle Disc
4	000902-45	Spring, Compression
5	000953-45	Castlated Nut
6	000100-45	Flat Washer
7	000015-40	4-Arm Handle, Self-Closing
8	001408-45	5/16" Brass Ball
9	000606-40NS	Bonnet Self-Close Sleeve
10	002601-45	Top Gasket
11	001101-45	Packing, Self-Closing Cartridge
12	000901-45	Spring, Compression
13	001092-45	Seat Washer
14	000933-45	B-1100 Seat Washer Screw
15	001022-45	Bottom Gasket

Product Specifications:
 Fast Self-Closing, Tin-Lined Cartridge w/ White DW Index

Product Compliance: