



T&S BRASS AND BRONZE WORKS, INC.
 2 Saddleback Cove / P.O. Box 1088
 Travelers Rest, SC 29690

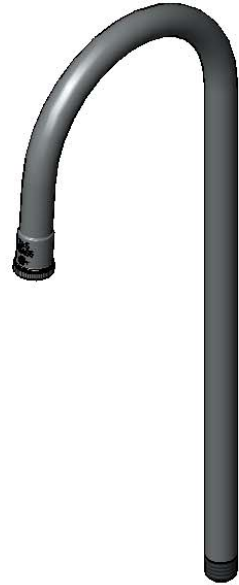
Model No.
126X

Item No.

Travelers Rest, SC: 800-476-4103 • Simi Valley, CA: 800-423-0150 • Fax: 864-834-3518 • www.tsbrass.com

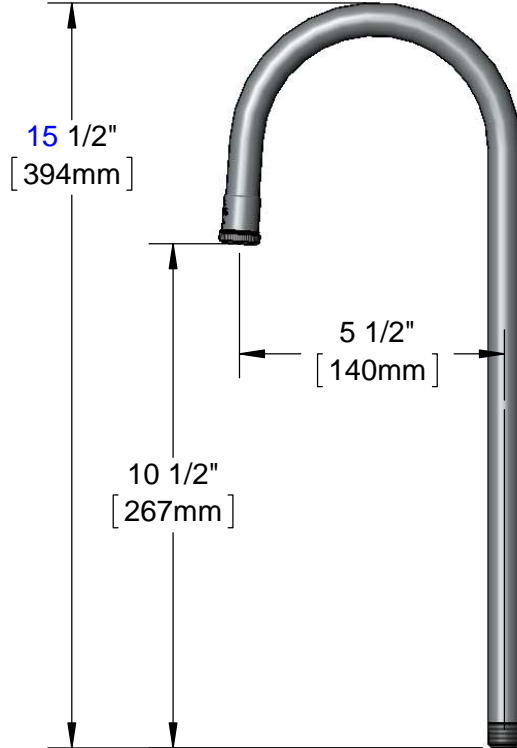
This Space for Architect/Engineer Approval

Job Name _____ Date _____
 Model Specified _____ Quantity _____
 Customer/Wholesaler _____
 Contractor _____
 Architect/Engineer _____



B-LT
 Stream Regulator
 Outlet

3/8" NPT
 Male Thread



Product Specifications:
 Rigid Gooseneck w/ 5 1/2" Spread & Stream Regulator Outlet

Drawn KJG	Checked DMH	Approved JHB
Scale: 1:4		Date: 10/04/13