



T&S BRASS AND BRONZE WORKS, INC.
 2 Saddleback Cove / P.O. Box 1088
 Travelers Rest, SC 29690

Model No.
238AB-PA

Item No.

Travelers Rest, SC: 800-476-4103 • Simi Valley, CA: 800-423-0150 • Fax: 864-834-3518 • www.tsbrass.com



ADA Compliant

This Space for Architect/Engineer Approval

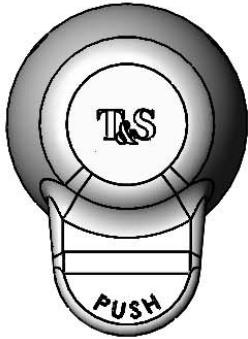
Job Name _____ Date _____

Model Specified _____ Quantity _____

Customer/Wholesaler _____

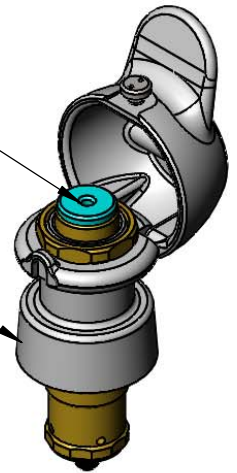
Contractor _____

Architect/Engineer _____

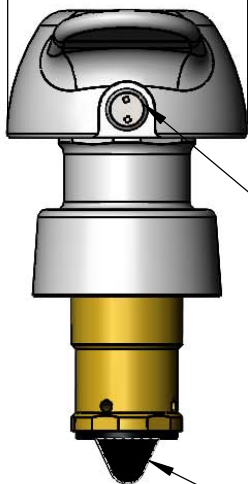


Access to Metering Adjustment (Requires 3/32" Hex Key Wrench)

238A-PA
 Metering Cartridge



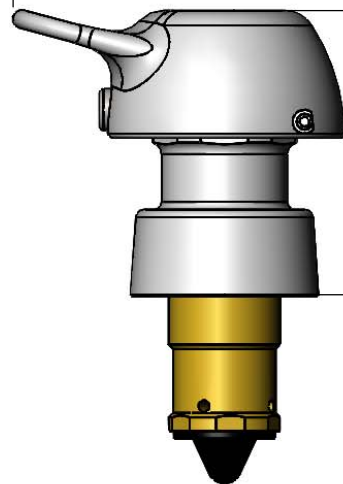
1 7/8"
 [48mm]



Vandal Resistant Screw

Filter Washer

2 9/16"
 [66mm]



2 1/4"
 [56mm]



014734-45
 #8 Spanner Bit
 (Included)

Product Specifications:
238A Metering Cartridge with Pivot Action Handle (Blank)

Product Compliance:
 ASME A112.18.1 / CSA B125.1
 NSF 61 - Section 9
 NSF 372 (Low Lead Content)
 ANSI A117.1 (ADA)