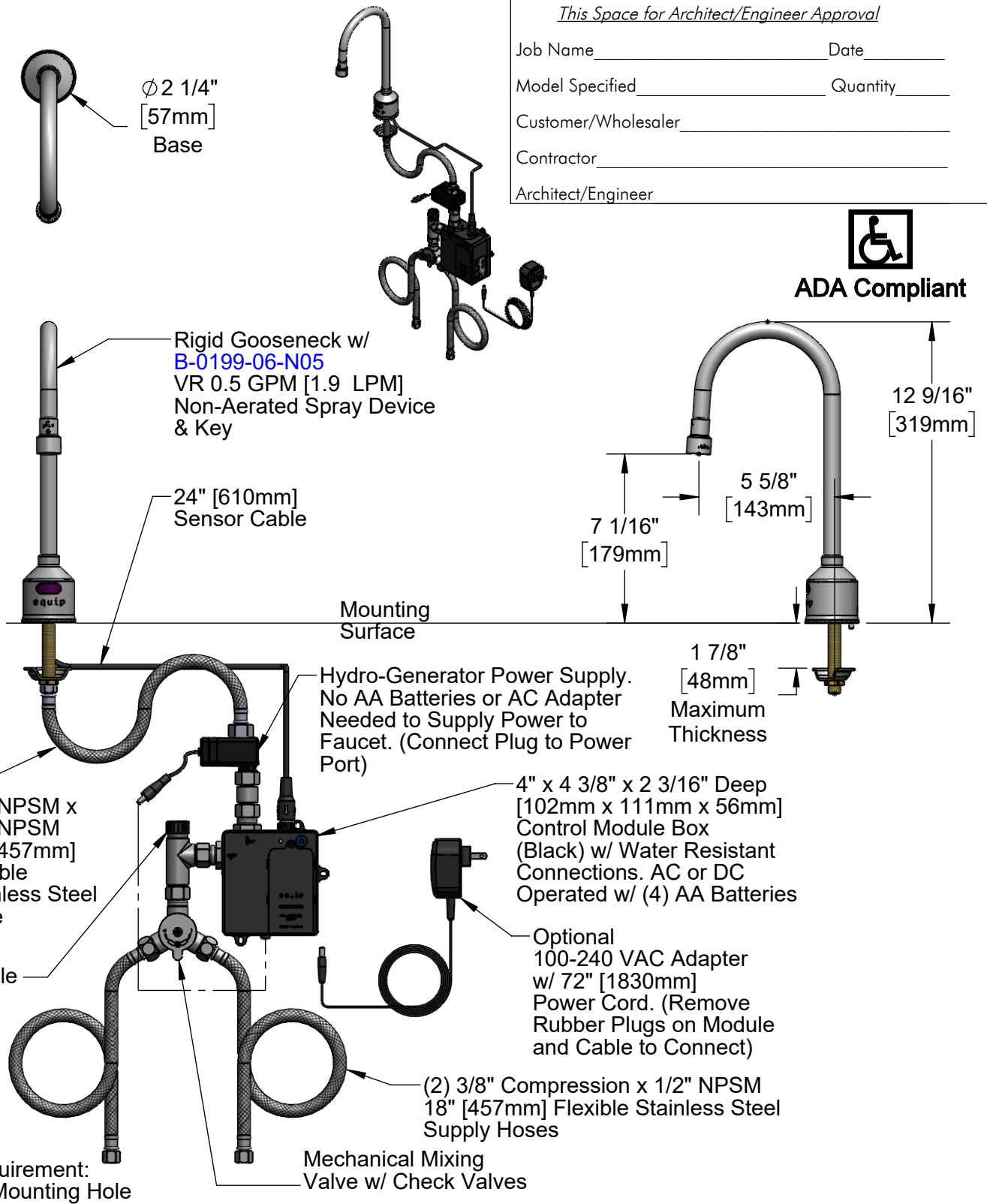


This Space for Architect/Engineer Approval

Job Name _____ Date _____
 Model Specified _____ Quantity _____
 Customer/Wholesaler _____
 Contractor _____
 Architect/Engineer _____



ADA Compliant



Rough-In Requirement:
 $\phi 1''$ [25mm] Mounting Hole

Model Number
5EF-1D-DG-V5-HG

Product Compliance:
 ASME A112.18.1 / CSA B125.1
 NSF 61 - Section 9
 NSF 372 (Low Lead Content)
 ANSI A117.1 (ADA)
 UL 1951

Product Specifications:
 Electronic Faucet: Deck Mount, Rigid Gooseneck w/ VR 0.5 GPM Non-Aerated Spray Device, Hydro-Generator, AC-DC Control Module, Temperature Control Mixing Valve w/ Check Valves & 18" Long Flexible Supply Hoses

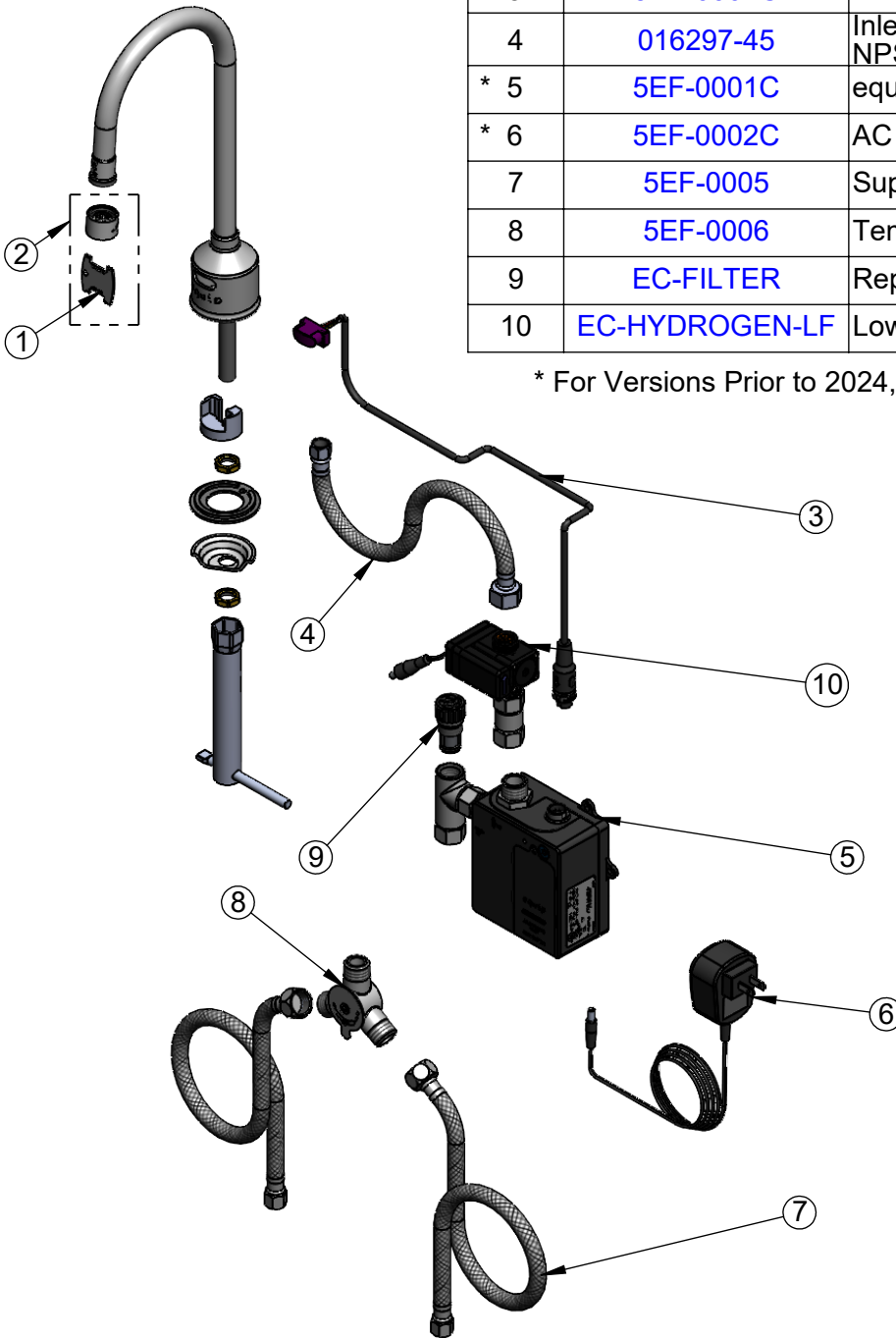
equip
 Foodservice
 Accessories

by

2 Saddleback Cove, P.O. Box 1088
 Travelers Rest, South Carolina 29690
 Phone: 800.891.4808 Fax: 800.868.0084
 equip.tsbrass.com

ITEM NO.	SALES NO.	DESCRIPTION
1	015425-45	Vandal Resistant Key
2	B-0199-06-N05	VR 0.5 GPM Non-Aerated Spray Device, 55/64-27 UN Female w/ Key
* 3	5EF-0004C	Sensor Cable w/ Curved Lens
4	016297-45	Inlet Hose, Faucet, 1/2" NPSM Female x 1/4" NPSM Female
* 5	5EF-0001C	equip Control Module (Black)
* 6	5EF-0002C	AC Adapter - US Plug
7	5EF-0005	Supply Hose, 9/16-24 Female x 1/2" NPSM
8	5EF-0006	Temperature Mixing Valve
9	EC-FILTER	Replacement Filter
10	EC-HYDROGEN-LF	Low Flow Hydrogenerator

* For Versions Prior to 2024, Consult with Customer Service



Model Number

5EF-1D-DG-V5-HG

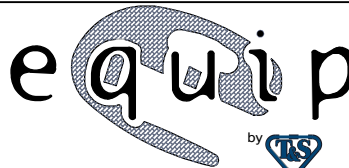
Product Specifications:

Electronic Faucet: Deck Mount, Rigid Gooseneck w/ VR 0.5 GPM Non-Aerated Spray Device, Hydro-Generator, AC-DC Control Module, Temperature Control Mixing Valve w/ Check Valves & 18" Long Flexible Supply Hoses

Product Compliance:

ASME A112.18.1 / CSA B125.1
NSF 61 - Section 9
NSF 372 (Low Lead Content)
ANSI A117.1 (ADA)
UL 1951

equip
Foodservice
Accessories



2 Saddleback Cove, P.O. Box 1088
Travelers Rest, South Carolina 29690
Phone: 800.891.4808 Fax: 800.868.0084
equip.tsbrass.com