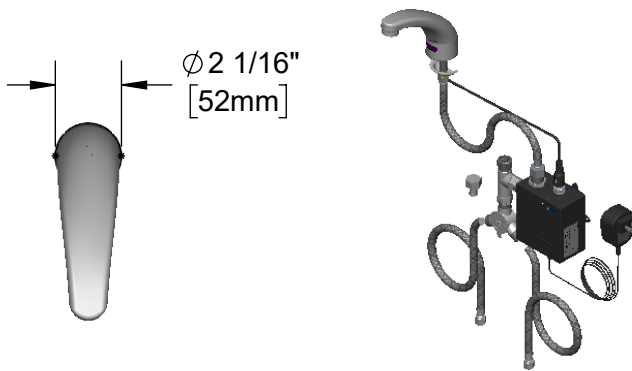


*This Space for Architect/Engineer Approval*

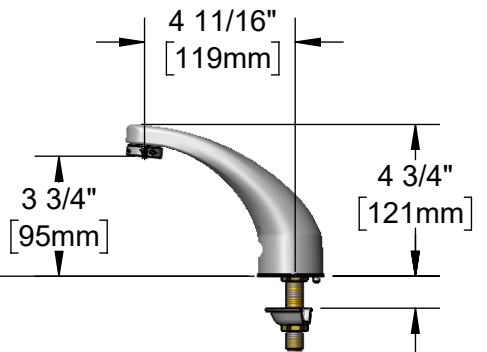
Job Name \_\_\_\_\_ Date \_\_\_\_\_  
 Model Specified \_\_\_\_\_ Quantity \_\_\_\_\_  
 Customer/Wholesaler \_\_\_\_\_  
 Contractor \_\_\_\_\_  
 Architect/Engineer \_\_\_\_\_



Ø 2 1/16"  
[52mm]

Polished Chrome Plated  
Solid Brass Cast Spout w/  
**B-0199-09-N05**  
VR 0.5 GPM [1.9 LPM]  
Non-Aerated Spray Device  
& Key

24" [610mm]  
Sensor Cable  
1/2" NPSM x 1/4" NPSM  
18" [457mm] Flexible  
Stainless Steel Hose



Mounting  
Surface

1 3/8"  
[35mm]  
Maximum  
Thickness

Removable  
Strainer

Mechanical Mixing  
Valve w/ Check Valves

4" x 4 3/8" x 2 3/16" Deep  
[102mm x 111mm x 56mm]  
Control Module Box (Black)  
w/ Water Resistant  
Connections. AC or DC  
Operated w/ (4) AA Batteries

100-240 VAC Adapter  
72" [1830mm] Power  
Cord. (Remove Rubber  
Plug on Module and  
Cable to Connect)

(2) 3/8" Compression x 1/2" NPSM  
18" [457mm] Flexible Stainless Steel  
Supply Hoses

Rough-In Requirement:  
Ø 1 1/4" [32mm] Mounting Hole

Model Number

**5EF-1D-DS-VF05**

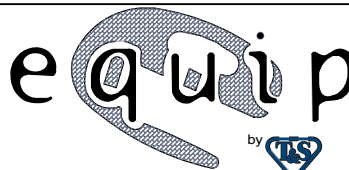
Product Specifications:

Electronic Faucet: Cast Brass Single Hole Deck Mount, VR 0.5 GPM  
Non-Aerated Spray Device, Temperature Control Mixing Valve w/  
Check Valves, (2) 18" Flexible Supply Hoses & AC-DC Control Module

Product Compliance:

ASME A112.18.1 / CSA B125.1  
NSF 61 - Section 9  
NSF 372 (Low Lead Content)  
ANSI A117.1 (ADA)  
UL 1951

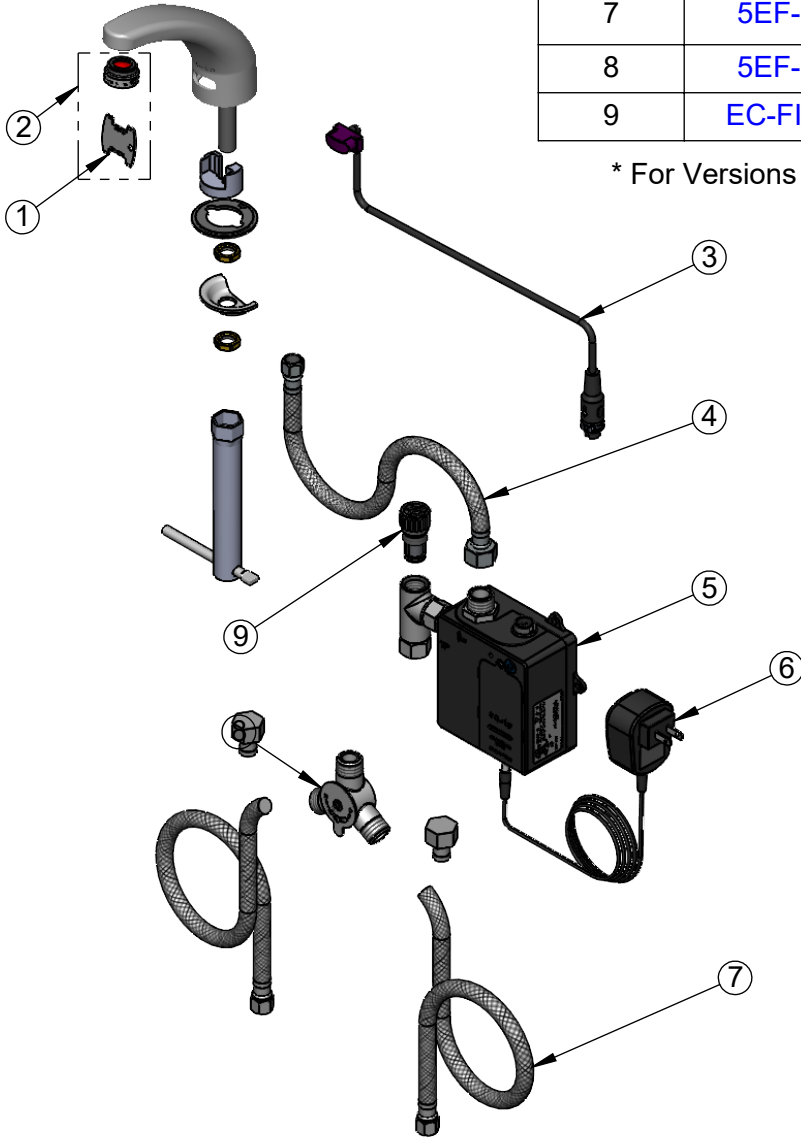
equip  
Foodservice  
Accessories



2 Saddleback Cove, P.O. Box 1088  
Travelers Rest, South Carolina 29690  
Phone: 800.891.4808 Fax: 800.868.0084  
equip.tsbrass.com

ITEM NO.	SALES NO.	DESCRIPTION
1	015425-45	Vandal Resistant Key
2	B-0199-09-N05	VR 0.5 GPM Non-Aerated Spray Device, 15/16-27 UN Male w/ Key
* 3	5EF-0004C	Sensor Cable w/Curved Lens
4	016297-45	Inlet Hose, Faucet, 1/2" NPSM-F x 1/4" NPSM-F
* 5	5EF-0001C	equip Control Module Box (Black)
* 6	5EF-0002C	AC Adapter - US Plug
7	5EF-0005	Supply Hose, 9/16-24 Female x 1/2" NPSM
8	5EF-0006	Temperature Mixing Valve
9	EC-FILTER	Replacement Filter

\* For Versions Prior to 2024, Consult with Customer Service



Model Number

**5EF-1D-DS-VF05**

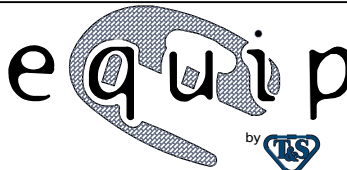
Product Specifications:

Electronic Faucet: Cast Brass Single Hole Deck Mount, VR 0.5 GPM Non-Aerated Spray Device, Temperature Control Mixing Valve w/ Check Valves, (2) 18" Flexible Supply Hoses & AC-DC Control Module

Product Compliance:

ASME A112.18.1 / CSA B125.1  
NSF 61 - Section 9  
NSF 372 (Low Lead Content)  
ANSI A117.1 (ADA)  
UL 1951

equip  
Foodservice  
Accessories



2 Saddleback Cove, P.O. Box 1088  
Travelers Rest, South Carolina 29690  
Phone: 800.891.4808 Fax: 800.868.0084  
equip.tsbrass.com