



ADA Compliant

*This Space for Architect/Engineer Approval*

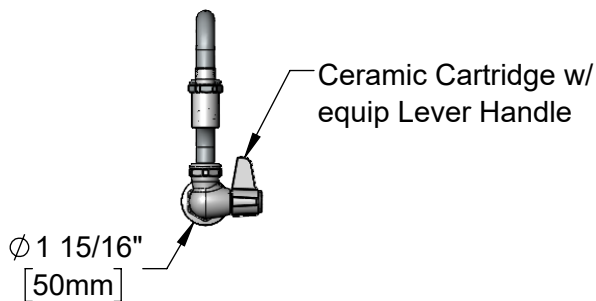
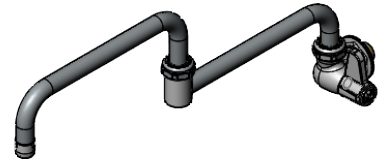
Job Name \_\_\_\_\_ Date \_\_\_\_\_

Model Specified \_\_\_\_\_ Quantity \_\_\_\_\_

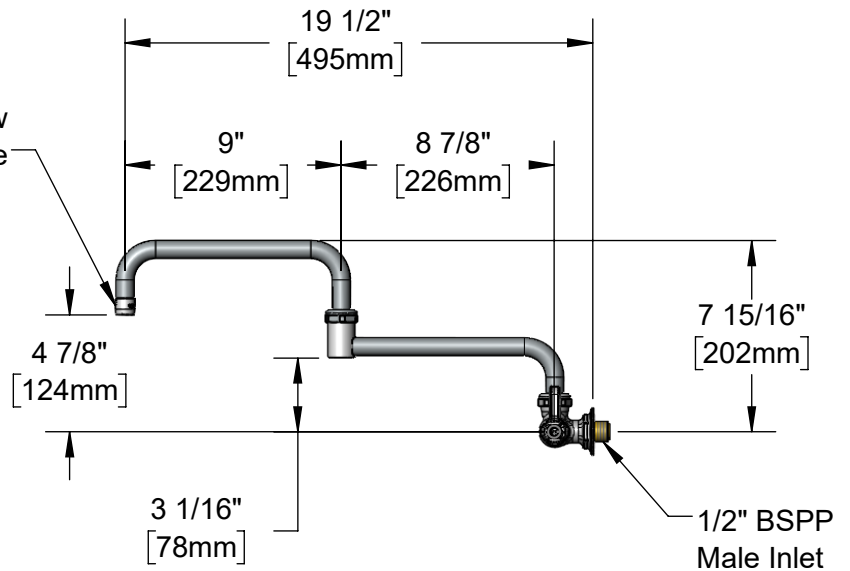
Customer/Wholesaler \_\_\_\_\_

Contractor \_\_\_\_\_

Architect/Engineer \_\_\_\_\_



Laminar Flow Outlet Device



Rough-In Requirement:  
Ø 1" [25mm] Mounting Hole

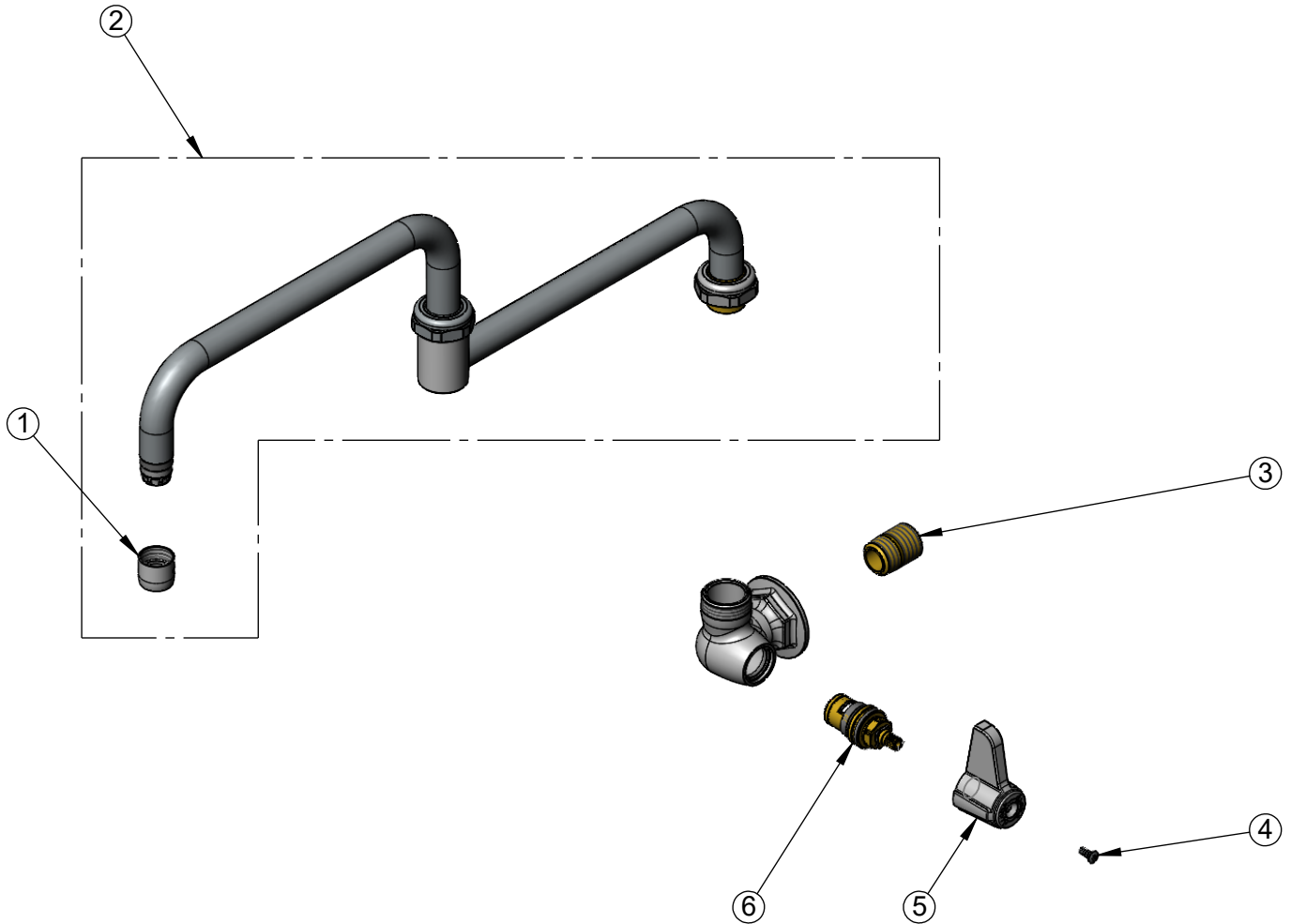
Model Number  
**5F-1WLB18DJ**

Product Specifications:  
Single Supply Wall Mount Faucet, Ceramic Cartridge, 18" Double Joint Swing Nozzle w/ Laminar Flow Device, Lever Handle & BSPP Male Inlet

Product Compliance:  
ASME A112.18.1 / CSA B125.1  
NSF 61 - Section 9  
NSF 372 (Low Lead Content)  
ANSI A117.1 (ADA)

equip Foodservice Accessories  2 Saddleback Cove, P.O. Box 1088  
Travelers Rest, South Carolina 29690  
Phone: 800.891.4808 Fax: 800.868.0084  
equip.tsbrass.com

ITEM	SALES NO.	DESCRIPTION
1	014250-45	Laminar Full Flow Outlet Device
2	5DJ-18	equip 18" Double-Joint Swing Nozzle
3	019047-45	Supply Nipple, 1/2" NPT x 1/2" BSPP
4	013849-45	Screw, 4mm Metric (10)
5	5-HDL-L	equip Lever Handle
6	013787-45	equip Ceramic Cartridge, RTC



Model Number

**5F-1WLB18DJ**

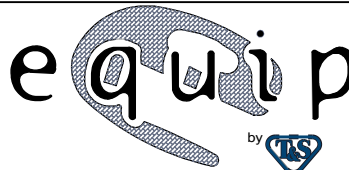
Product Specifications:

Single Supply Wall Mount Faucet, Ceramic Cartridge, 18"  
Double Joint Swing Nozzle w/ Laminar Flow Device,  
Lever Handle & BSPP Male Inlet

Product Compliance:

ASME A112.18.1 / CSA B125.1  
NSF 61 - Section 9  
NSF 372 (Low Lead Content)  
ANSI A117.1 (ADA)

equip  
Foodservice  
Accessories



2 Saddleback Cove, P.O. Box 1088  
Travelers Rest, South Carolina 29690  
Phone: 800.891.4808 Fax: 800.868.0084  
equip.tsbrass.com

Drawn: TRK

Checked: JRM

Approved: JHB

Date: 03/11/24

Scale: NTS

Sheet: 2 of 2